



US00D851419S

(12) **United States Design Patent**
King et al.

(10) **Patent No.:** **US D851,419 S**
(45) **Date of Patent:** **** Jun. 18, 2019**

(54) **ARTICLE OF FURNITURE**

CPC A47C 17/00; A47C 17/02; A47C 17/04;
A47C 17/045; A47C 17/12; A47C 17/175
See application file for complete search history.

(71) Applicant: **King Furniture Australia Pty Ltd.,**
Turrella (AU)

(56) **References Cited**

(72) Inventors: **David King,** Turrella (AU); **Ryan**
Lawson, Turrella (AU); **Tanya**
Rechberger, Turrella (AU); **Anuj**
Dhawan, Turrella (AU)

U.S. PATENT DOCUMENTS

(73) Assignee: **King Furniture Australia Pty Ltd.,**
Turrella (AU)

D94,831 S 3/1935 Granovsky
D240,096 S * 6/1976 Haggstam et al. D6/373
D247,335 S * 2/1978 Dranger D6/381
D310,143 S * 8/1990 Hopfer D6/361
5,137,332 A * 8/1992 Gualtierotti A47C 1/023
297/440.15

(**) Term: **15 Years**

D422,156 S 4/2000 Black
D424,316 S 5/2000 Natuzzi et al.
D484,327 S 12/2003 Ricci
D484,713 S 1/2004 Gomez
D495,893 S * 9/2004 Ricci D6/334
6,824,220 B1 * 11/2004 Davison A47C 13/005
297/233

(21) Appl. No.: **29/640,910**

D499,261 S * 12/2004 Ricci D6/334
D499,263 S 12/2004 Ricci
D545,070 S * 6/2007 Hutton D6/334
D551,463 S 9/2007 Natuzzi
D590,165 S 4/2009 Natuzzi

(22) Filed: **Mar. 19, 2018**

Related U.S. Application Data

(Continued)

(62) Division of application No. 29/553,406, filed on Feb.
1, 2016, now Pat. No. Des. 816,366.

Primary Examiner — Deanna L Pratt

(74) *Attorney, Agent, or Firm* — Banner & Witcoff, Ltd.

(30) **Foreign Application Priority Data**

(57) **CLAIM**

Jul. 30, 2015 (AU) 201513847
Jul. 31, 2015 (AU) 201513871
Jul. 31, 2015 (AU) 201513875
Jul. 31, 2015 (AU) 201513876
Jul. 31, 2015 (AU) 201513894
Jul. 31, 2015 (AU) 201513900

The ornamental design for an article of furniture, as shown
and described.

DESCRIPTION

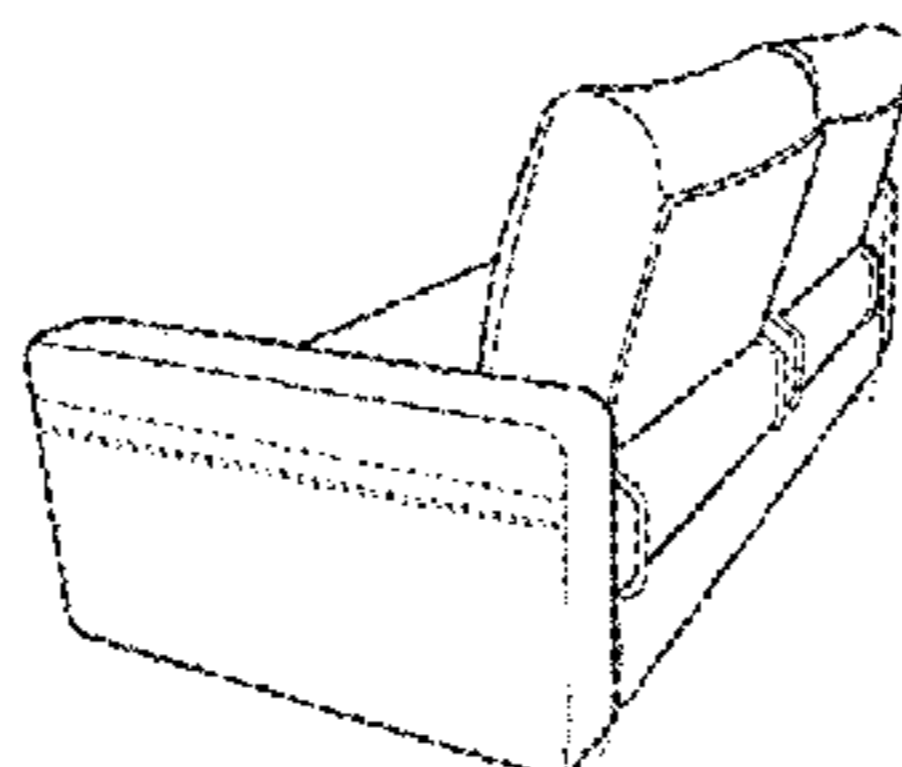
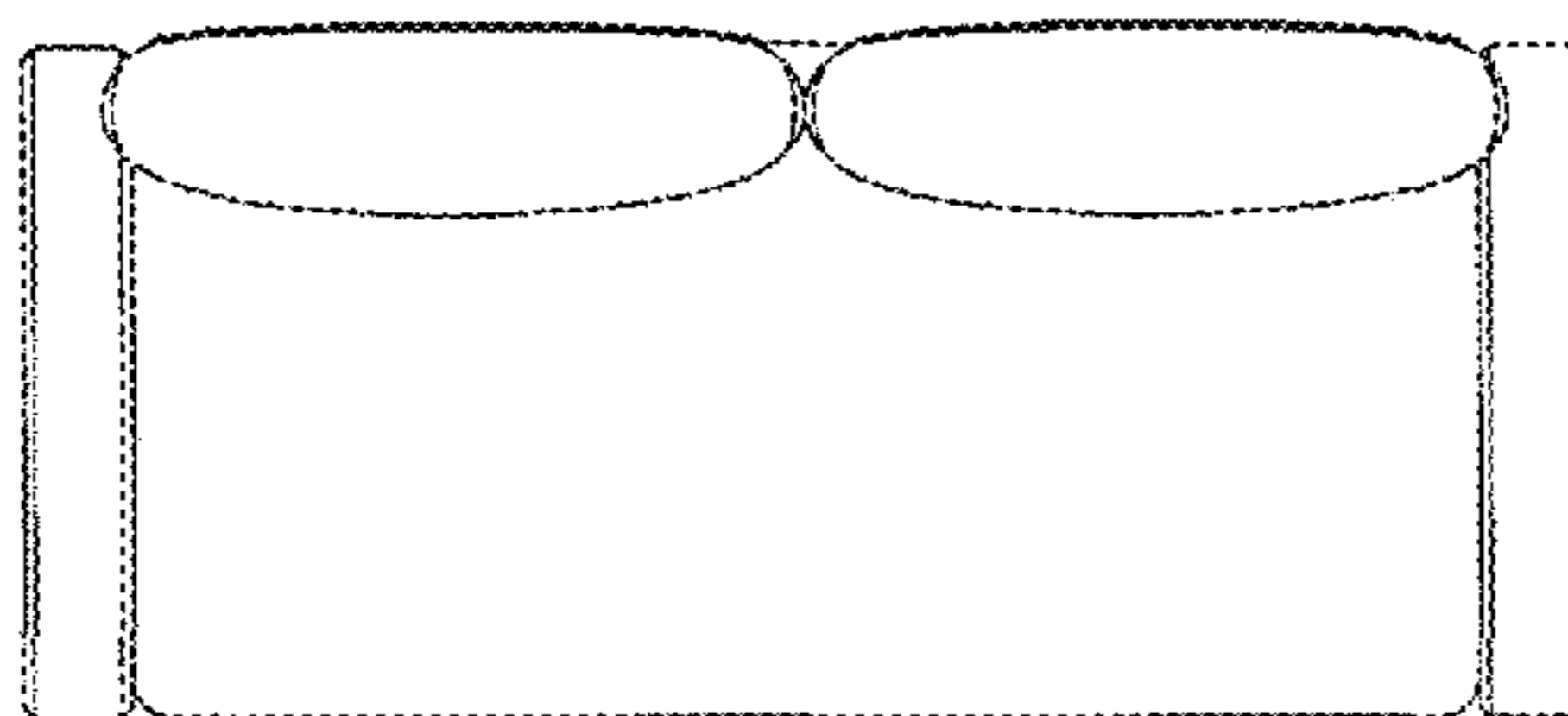
(51) **LOC (11) Cl.** **06-01**

(52) **U.S. Cl.**
USPC **D6/381**

(58) **Field of Classification Search**
USPC D6/334, 335, 336, 360, 361, 367, 368,
D6/371-375, 379-381, 716, 716.1-716.8

FIG. 1 is a top view of an article of furniture showing our
new design;
FIG. 2 is a perspective view from the front thereof;
FIG. 3 is a left side view thereof;
FIG. 4 is a front view thereof;
FIG. 5 is a right side view thereof;
FIG. 6 is a rear view thereof; and,
FIG. 7 is a perspective view from the rear thereof.

(Continued)



The broken lines in the drawings illustrate portions of the article of furniture that form no part of the claimed design.

1 Claim, 1 Drawing Sheet

(56)

References Cited

U.S. PATENT DOCUMENTS

D590,166 S	4/2009	Natuzzi	
D590,171 S	4/2009	Natuzzi	
D662,337 S	6/2012	Arko et al.	
D666,847 S	9/2012	Metcalf et al.	
D718,552 S *	12/2014	Kanthasamy	D6/381
D801,720 S *	11/2017	Morrison	D6/381
D816,366 S *	5/2018	King	D6/381
D826,589 S *	8/2018	Natuzzi	D6/381
D829,451 S *	10/2018	Bozzoli	D6/334
2013/0341992 A1	12/2013	King et al.	
2017/0303690 A1 *	10/2017	King	A47C 15/002

* cited by examiner

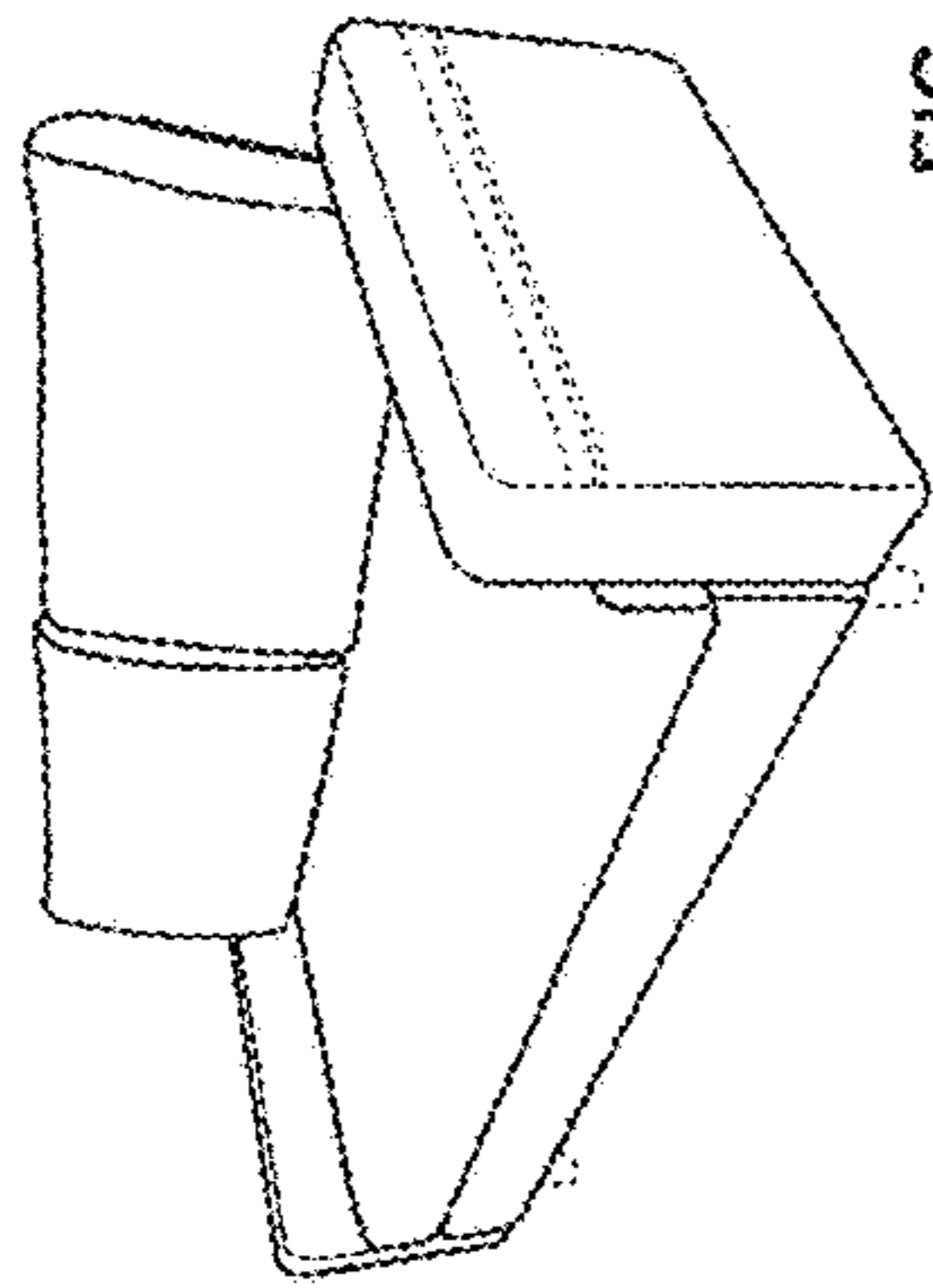


FIG. 2

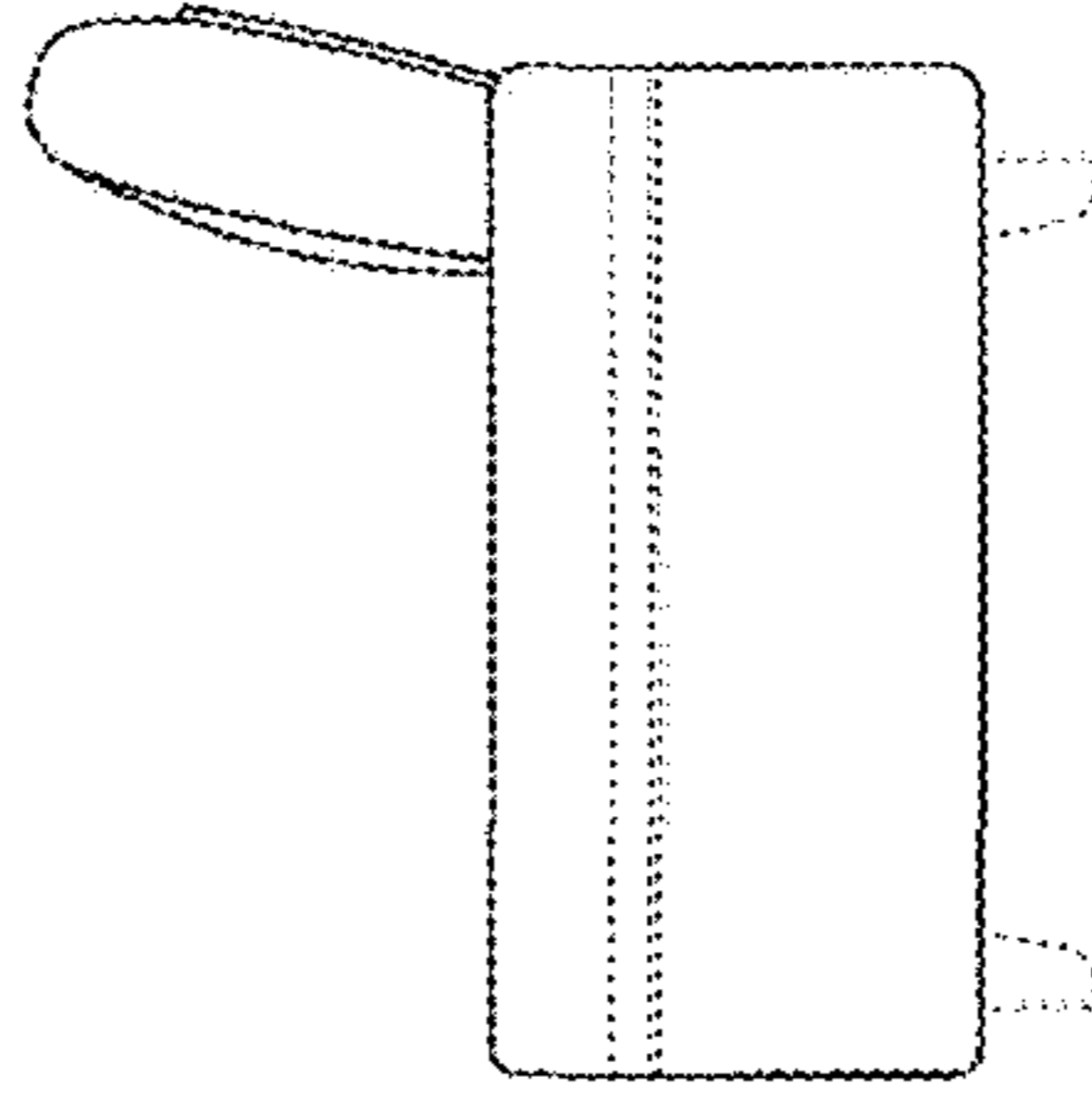


FIG. 5

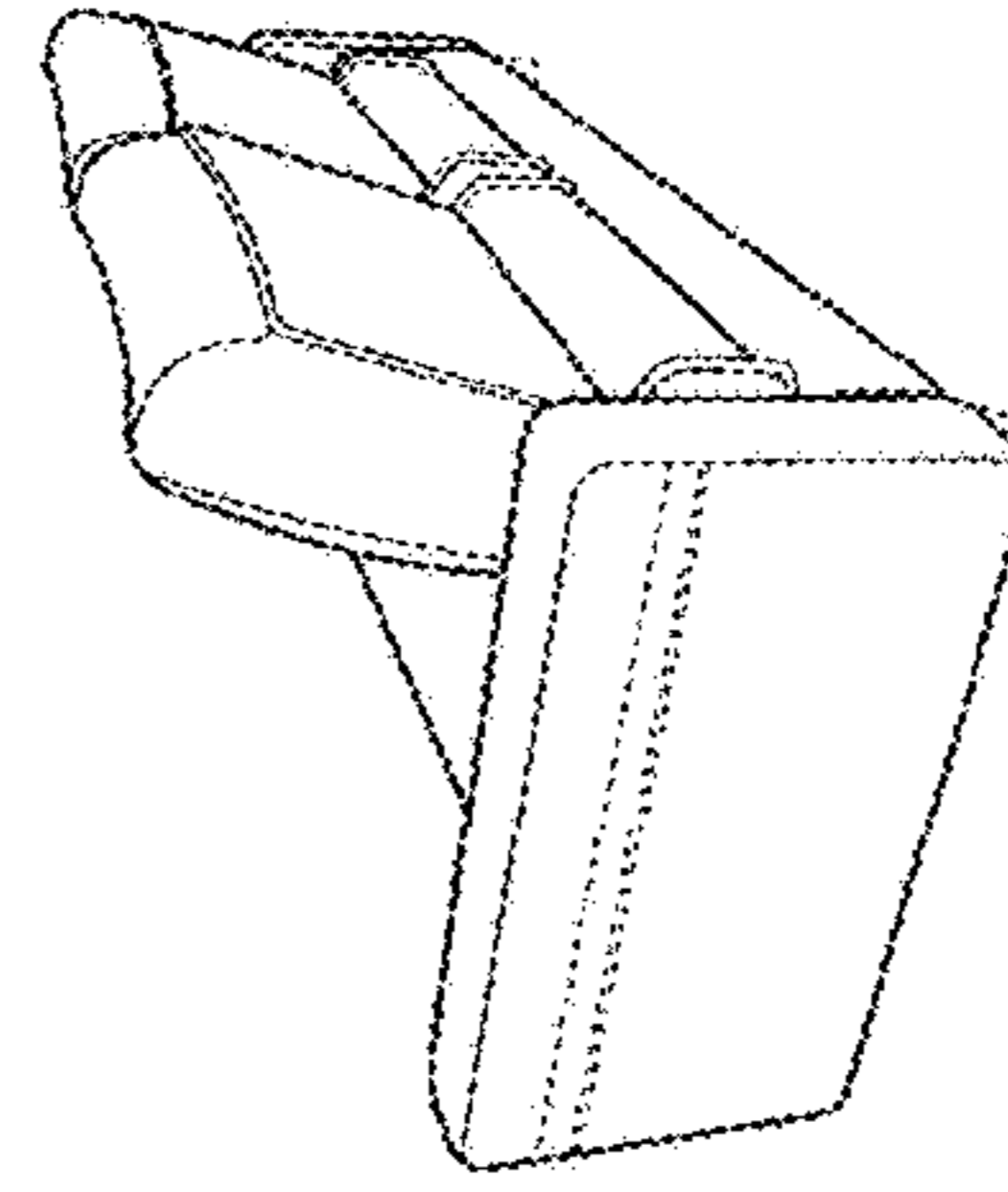


FIG. 7

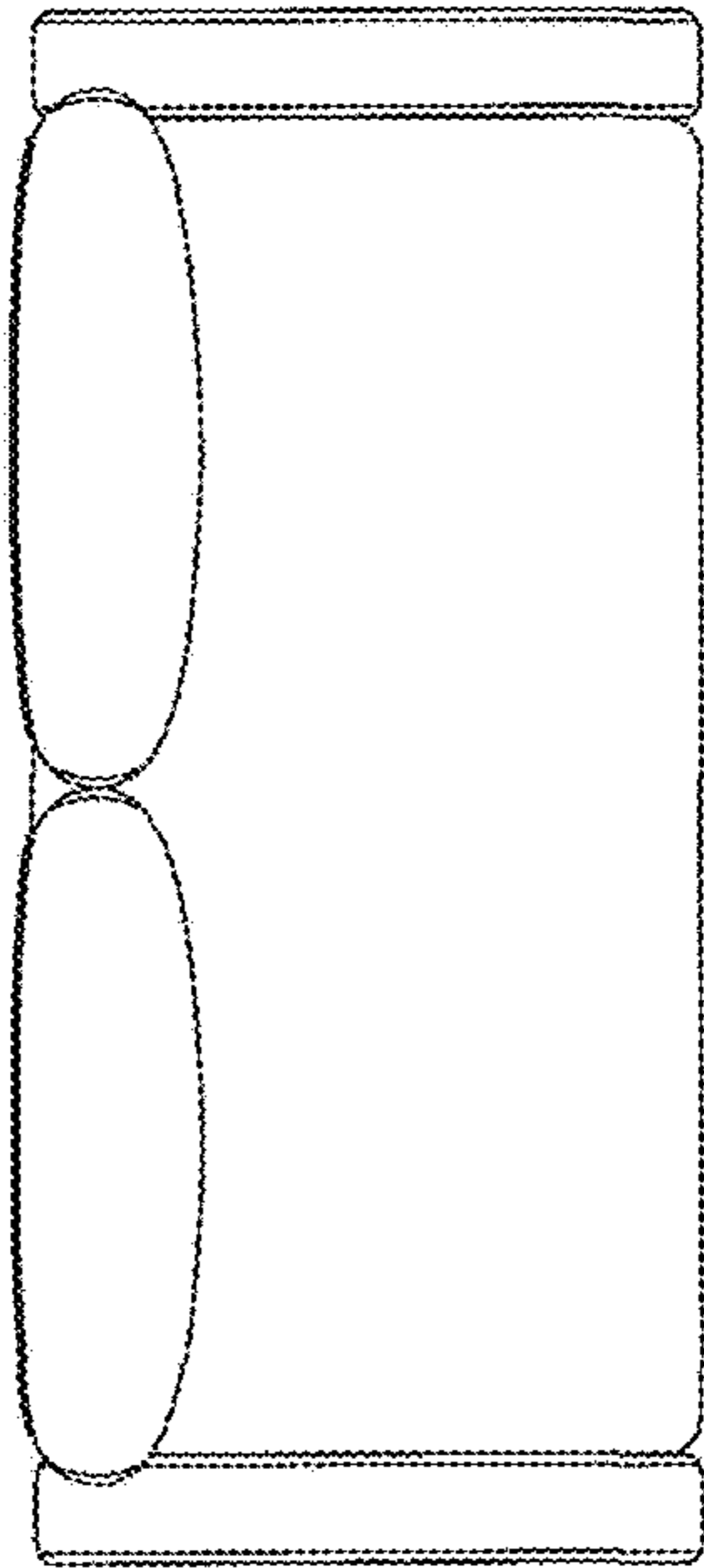


FIG. 1

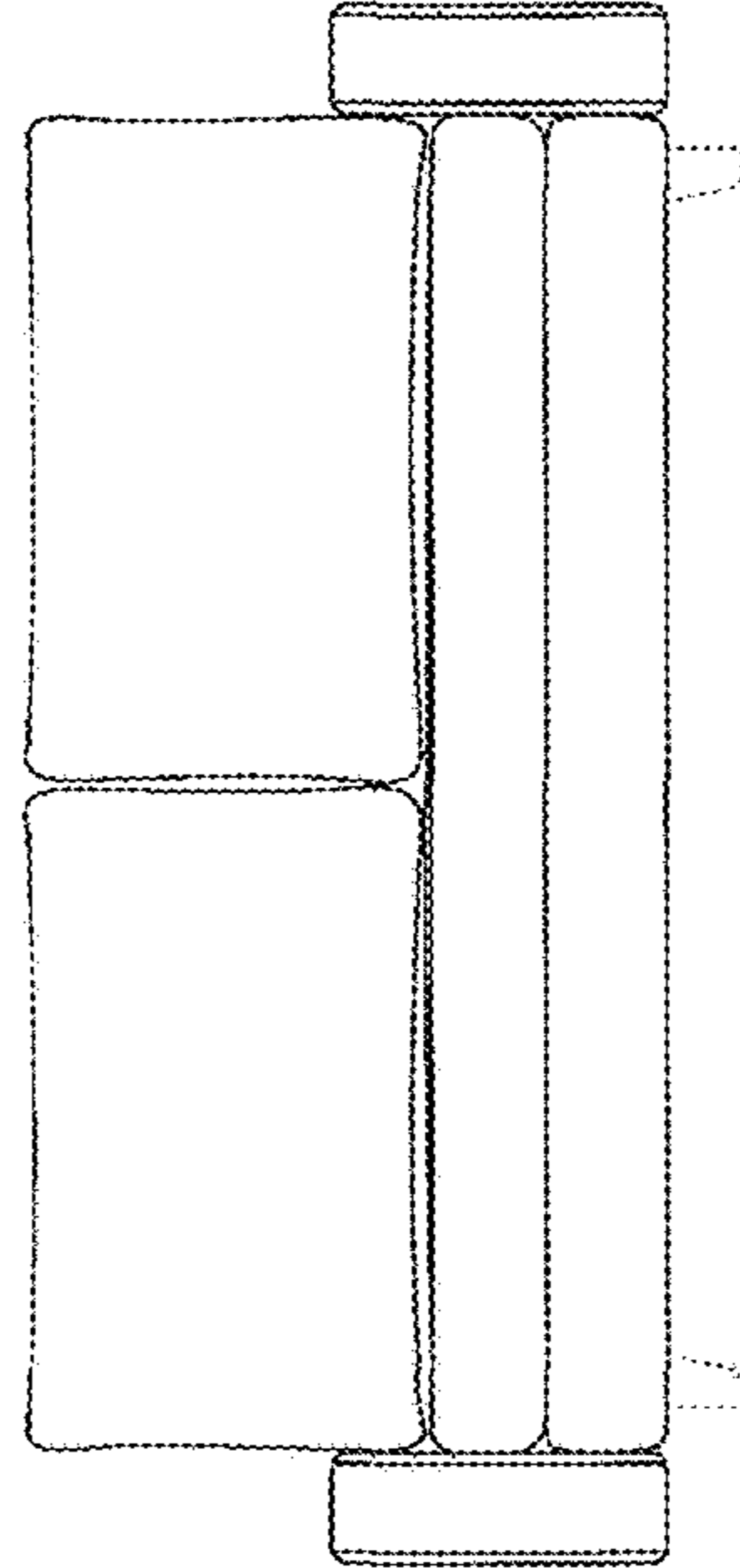


FIG. 4

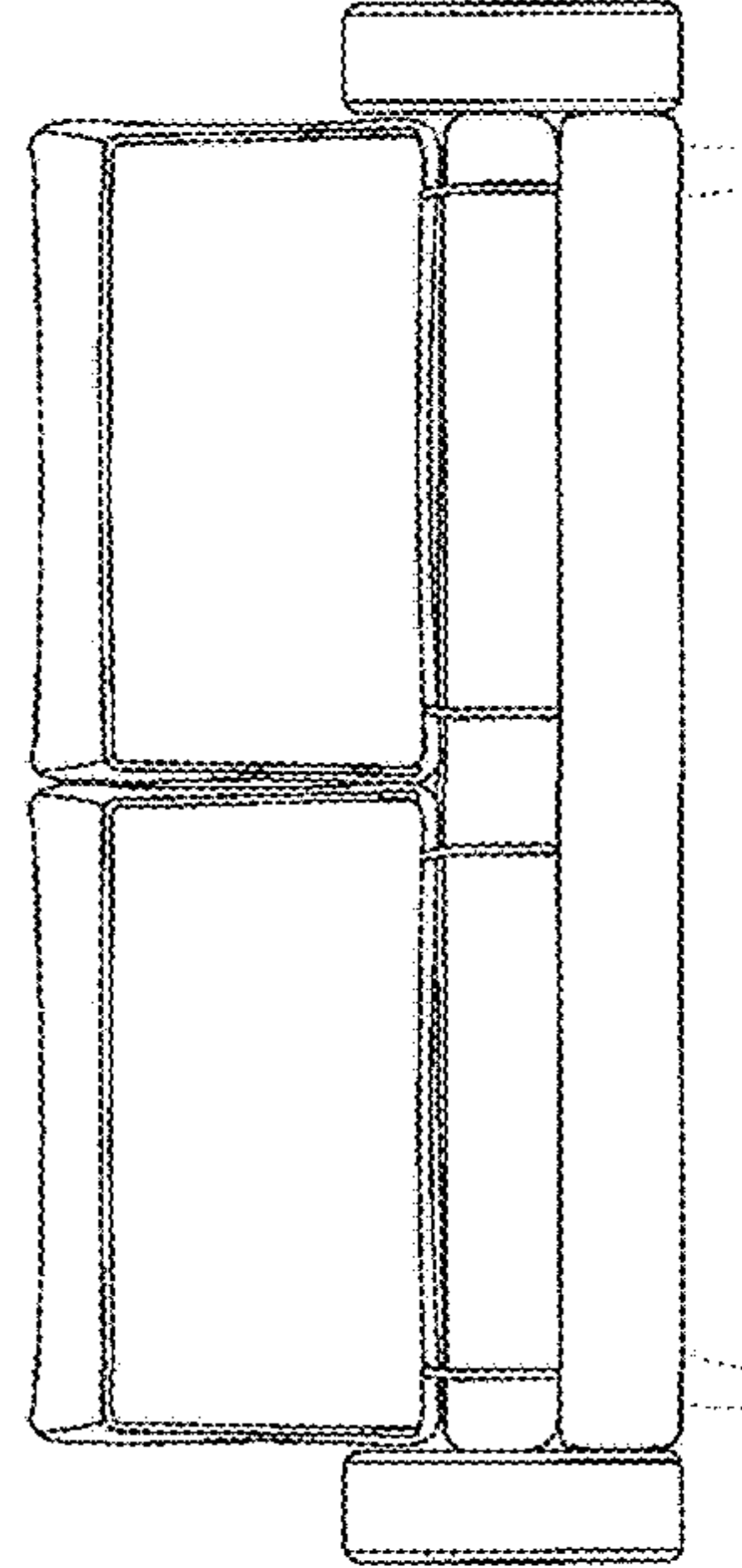


FIG. 6

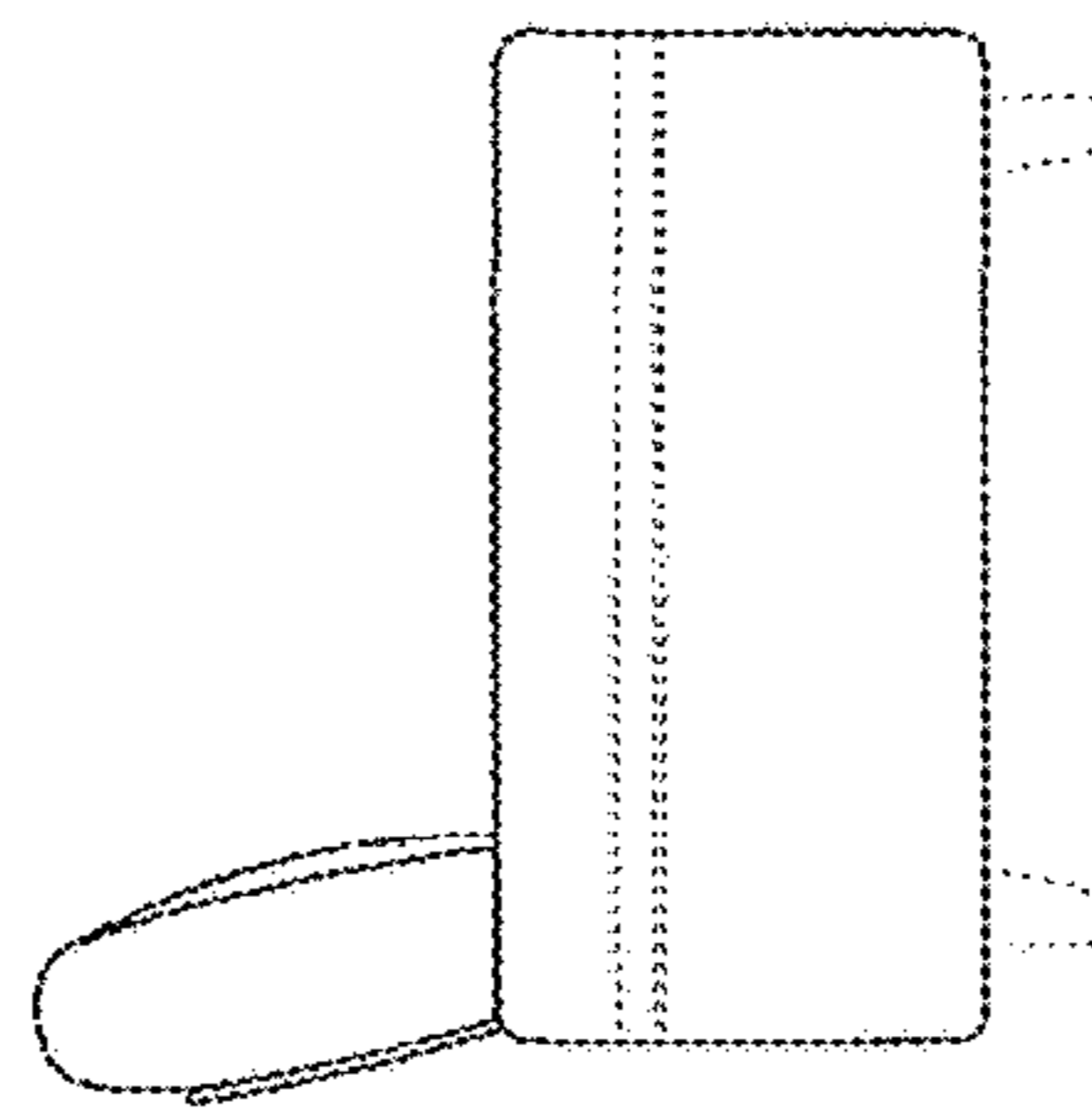


FIG. 3