



US00D851416S

(12) **United States Design Patent**
King et al.

(10) **Patent No.:** **US D851,416 S**
(45) **Date of Patent:** **** Jun. 18, 2019**

(54) **ARTICLE OF FURNITURE**

Primary Examiner — Deanna L Pratt

(71) Applicant: **King Furniture Australia Pty Ltd.**,
Turrella, NSW (AU)

(74) *Attorney, Agent, or Firm* — Banner & Witcoff, Ltd.

(72) Inventors: **David King**, Turrella (AU); **Ryan Lawson**, Turrella (AU); **Anastasi Panagopoulos**, Turrella (AU); **Tanya Rechberger**, Turrella (AU)

(57) **CLAIM**

The ornamental design for an article of furniture, as shown and described.

(73) Assignee: **King Furniture Australia Pty Ltd.**,
Turrella (AU)

DESCRIPTION

(**) Term: **15 Years**

FIG. 1 is a perspective, front view of a first embodiment of an article of furniture;
FIG. 2 is a top view thereof;
FIG. 3 is a rear view thereof;
FIG. 4 is a left side view thereof;
FIG. 5 is a front view thereof;
FIG. 6 is a right side view thereof;
FIG. 7 is a perspective, rear view thereof;
FIG. 8 is a sectional view taken along lines A-A in each of FIG. 1, FIG. 7, FIG. 9, FIG. 15, FIG. 16, and FIG. 22 of the drawings;
FIG. 9 is a perspective, front view of a second embodiment of an article of furniture;
FIG. 10 is a top view thereof;
FIG. 11 is a rear view thereof;
FIG. 12 is a left side view thereof;
FIG. 13 is a front view thereof;
FIG. 14 is a right side view thereof;
FIG. 15 is a perspective, rear view thereof;
FIG. 16 is a perspective, front view of a third embodiment of an article of furniture;
FIG. 17 is a top view thereof;
FIG. 18 is a rear view thereof;
FIG. 19 is a left side view thereof;
FIG. 20 is a front view thereof;
FIG. 21 is a right side view thereof; and,
FIG. 22 is a perspective, rear view thereof.
The broken lines in FIGS. 1-22 illustrate portions of the article of furniture that form no part of the claimed design.

(21) Appl. No.: **29/607,057**

(22) Filed: **Jun. 9, 2017**

(30) **Foreign Application Priority Data**

Dec. 9, 2016	(AU)	201616933
Dec. 9, 2016	(AU)	201616934
Dec. 9, 2016	(AU)	201616935
Dec. 9, 2016	(AU)	201616936
Dec. 9, 2016	(AU)	201616937
Dec. 9, 2016	(AU)	201616938
Dec. 9, 2016	(AU)	201616939
Dec. 9, 2016	(AU)	201616940

(Continued)

(51) **LOC (11) Cl.** **06-01**

(52) **U.S. Cl.**
USPC **D6/334; D6/377**

(58) **Field of Classification Search**
USPC **D6/334, 335, 336, 360, 361, 367, 368, D6/371-375, 379-381, 716, 716.1-716.8**

(Continued)

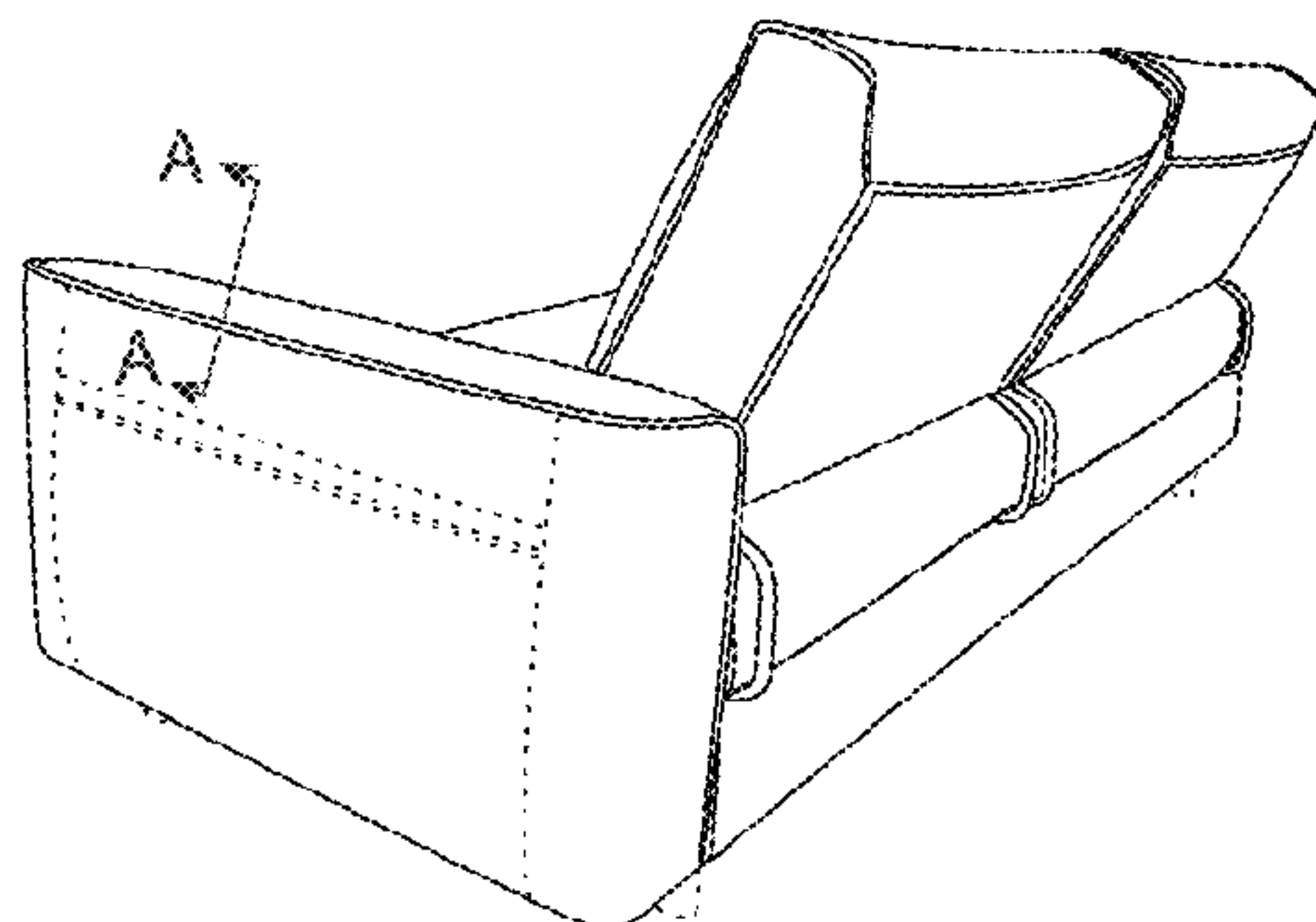
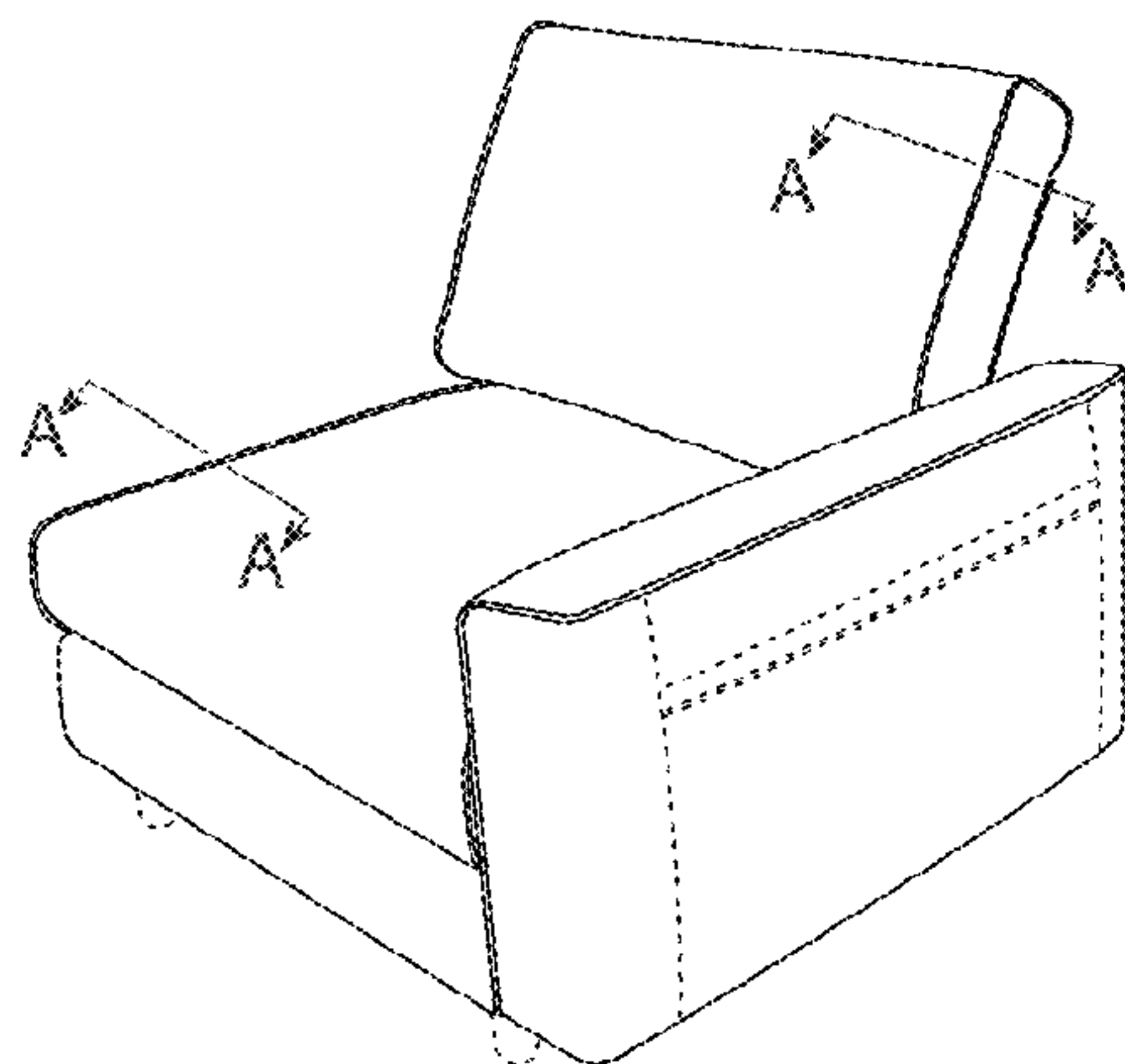
(56) **References Cited**

U.S. PATENT DOCUMENTS

D240,096 S *	6/1976	Haggstam et al.	D6/373
D247,335 S *	2/1978	Dranger	D6/381

(Continued)

1 Claim, 3 Drawing Sheets



US D851,416 S

Page 2

(30) **Foreign Application Priority Data**

Dec. 9, 2016 (AU) 201616941
Dec. 9, 2016 (AU) 201616942

(58) **Field of Classification Search**

CPC A47C 17/00; A47C 17/02; A47C 17/04;
A47C 17/045; A47C 17/12; A47C 17/175
See application file for complete search history.

(56) **References Cited**

U.S. PATENT DOCUMENTS

D289,831 S * 5/1987 Leib D6/334
D310,143 S * 8/1990 Hopfer D6/361
D327,174 S * 6/1992 Hopfer D6/334
5,137,332 A * 8/1992 Gualtierotti A47C 1/023
297/440.15
D335,395 S * 5/1993 Gibson D6/334
D336,377 S * 6/1993 Gibson D6/334
D336,787 S * 6/1993 Gibson D6/334
D433,824 S * 11/2000 King D6/334

D433,825 S * 11/2000 Piretti D6/334
D495,153 S * 8/2004 Ricci D6/334
D495,893 S * 9/2004 Ricci D6/334
6,824,220 B1 * 11/2004 Davison A47C 13/005
297/233
D499,261 S * 12/2004 Ricci D6/334
D545,070 S * 6/2007 Hutton D6/334
D580,670 S * 11/2008 Weiss D6/361
D609,034 S * 2/2010 Lissoni D6/716
D619,820 S * 7/2010 Lissoni D6/381
D657,965 S * 4/2012 Amini D6/334
D693,584 S * 11/2013 Kanthasamy D6/334
D718,552 S * 12/2014 Kanthasamy D6/381
D801,720 S * 11/2017 Morrison D6/381
D816,366 S * 5/2018 King D6/381
D826,589 S * 8/2018 Natuzzi D6/381
D829,451 S * 10/2018 Bozzoli D6/334
D832,609 S * 11/2018 Hecht D6/377
2013/0341992 A1 * 12/2013 King A47C 13/005
297/452.18
2017/0303690 A1 * 10/2017 King A47C 15/002

* cited by examiner

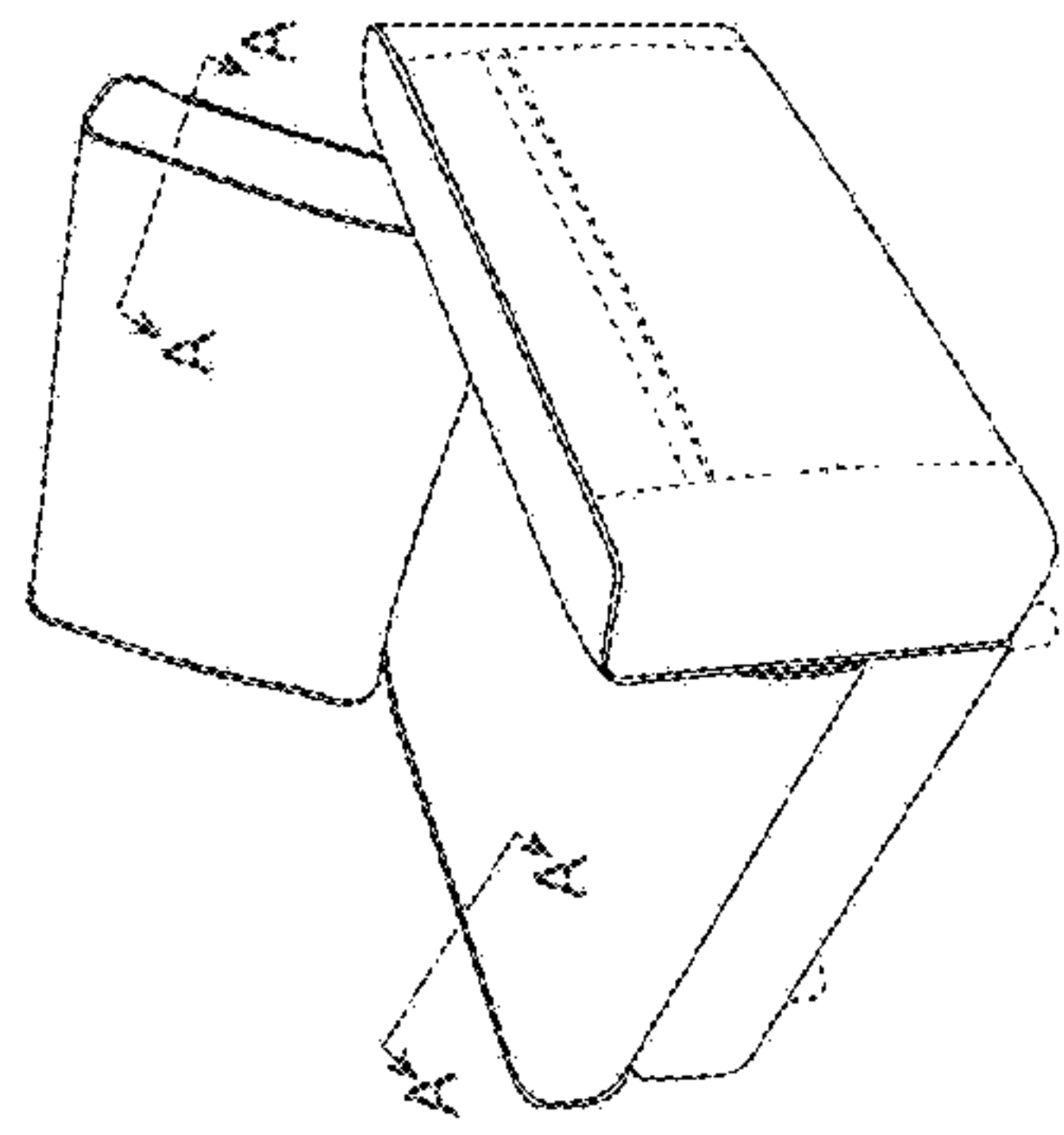


FIG. 1

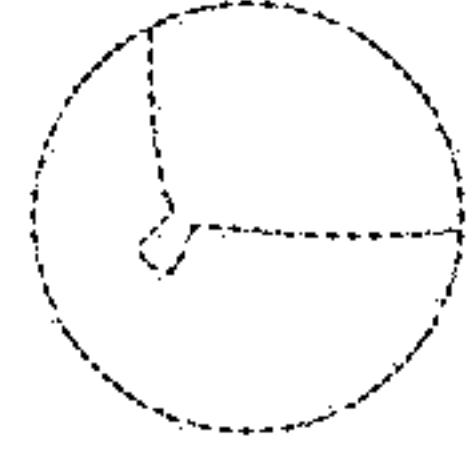


FIG. 8

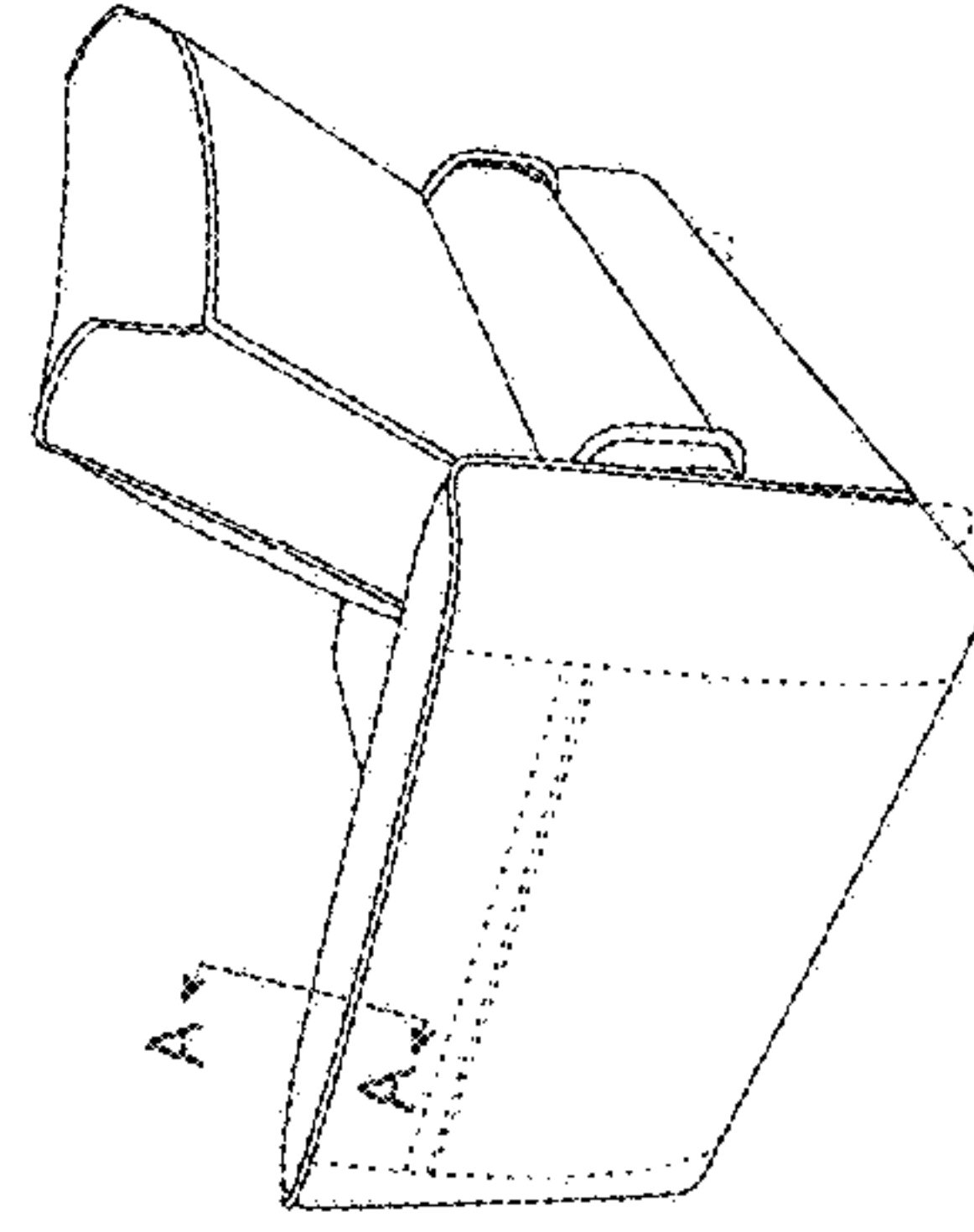


FIG. 7

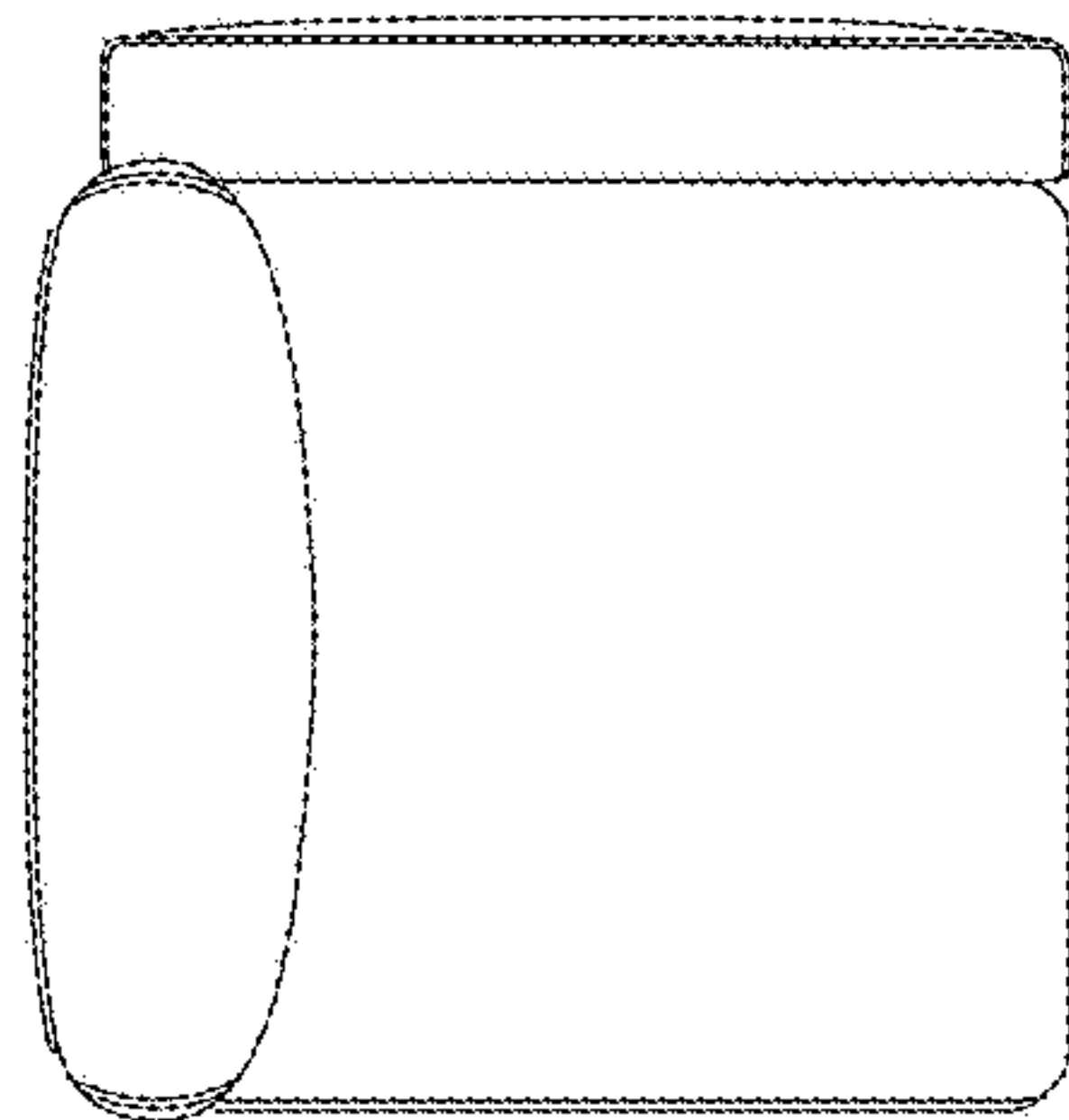


FIG. 2

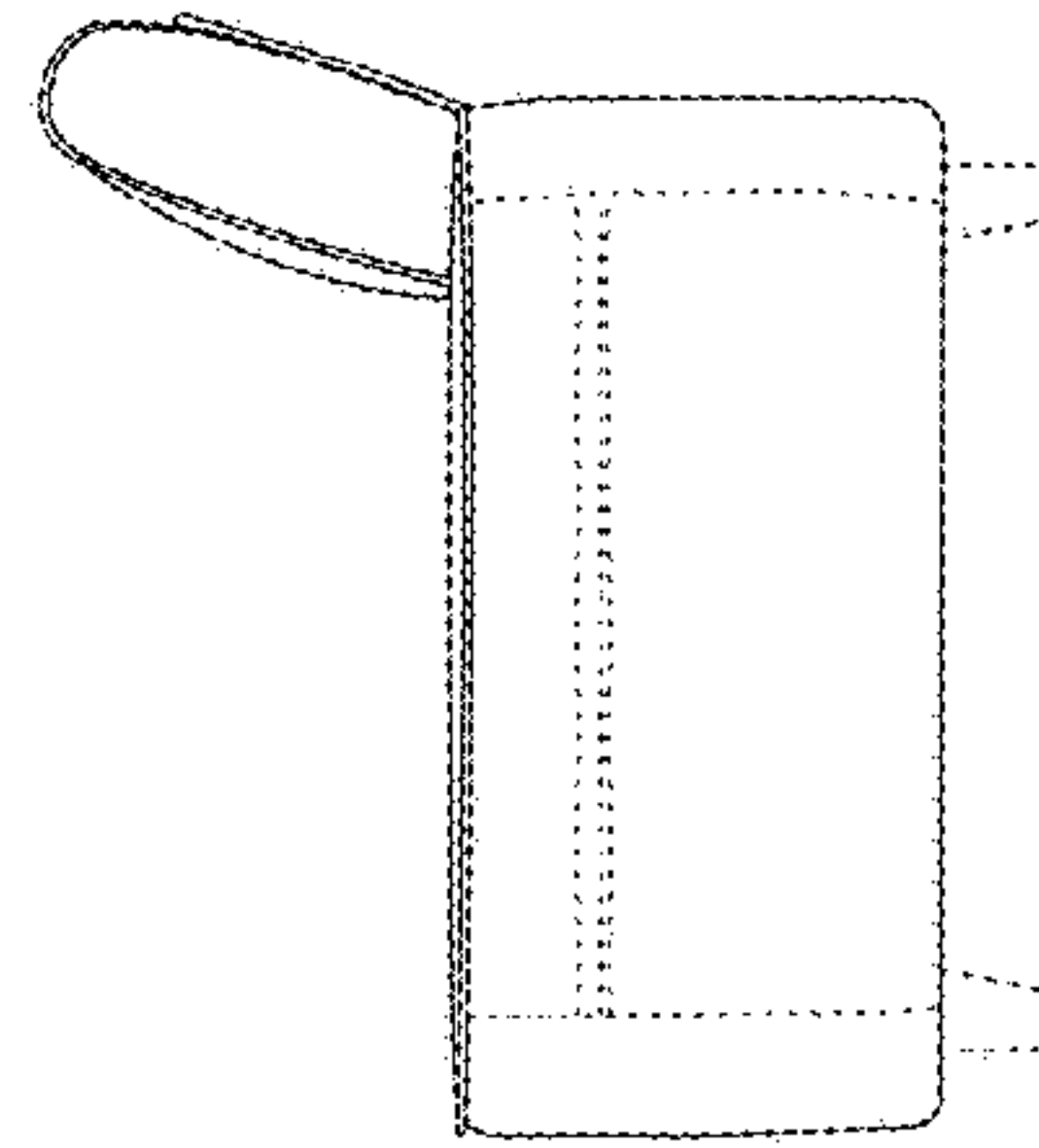


FIG. 6

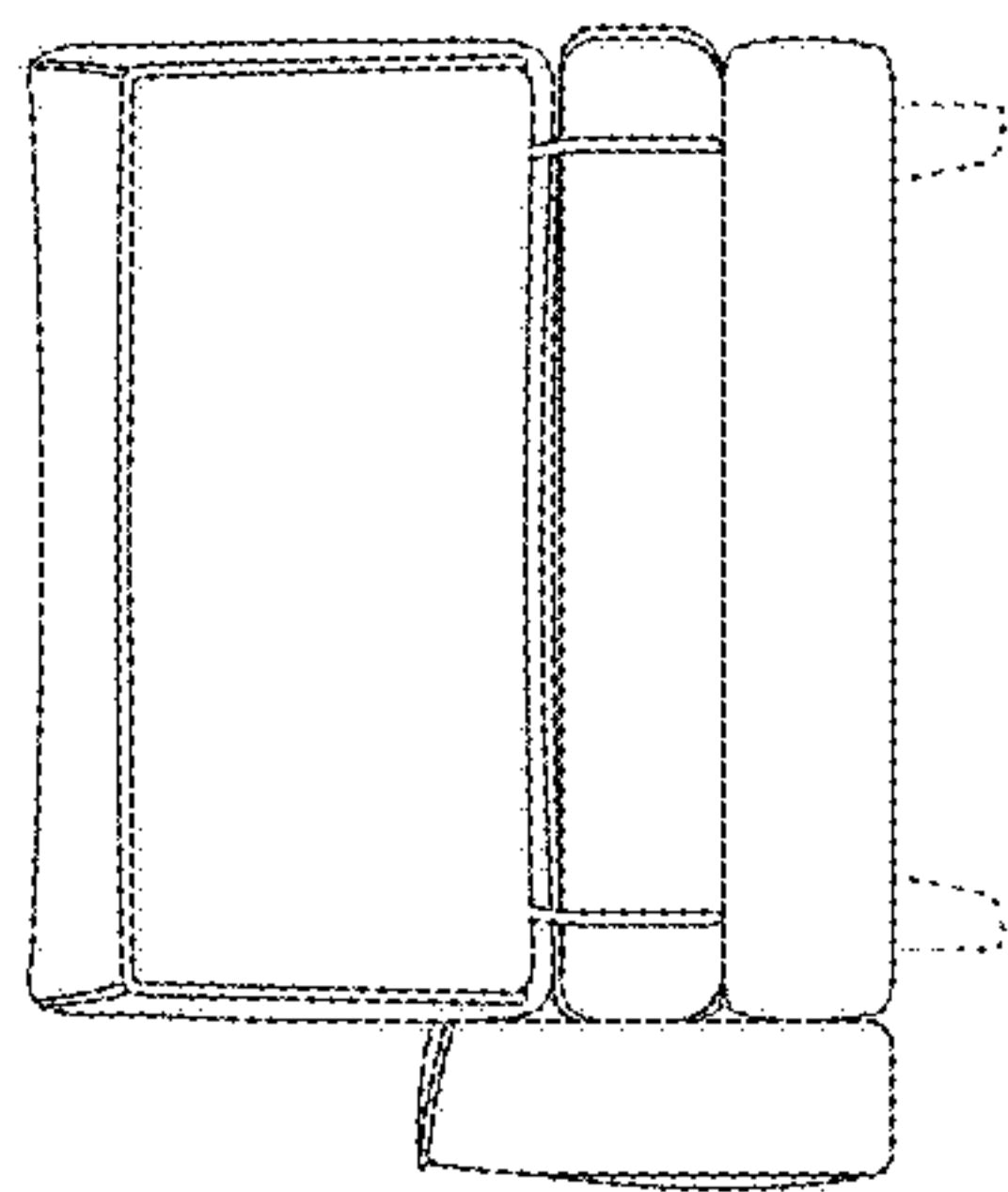


FIG. 3

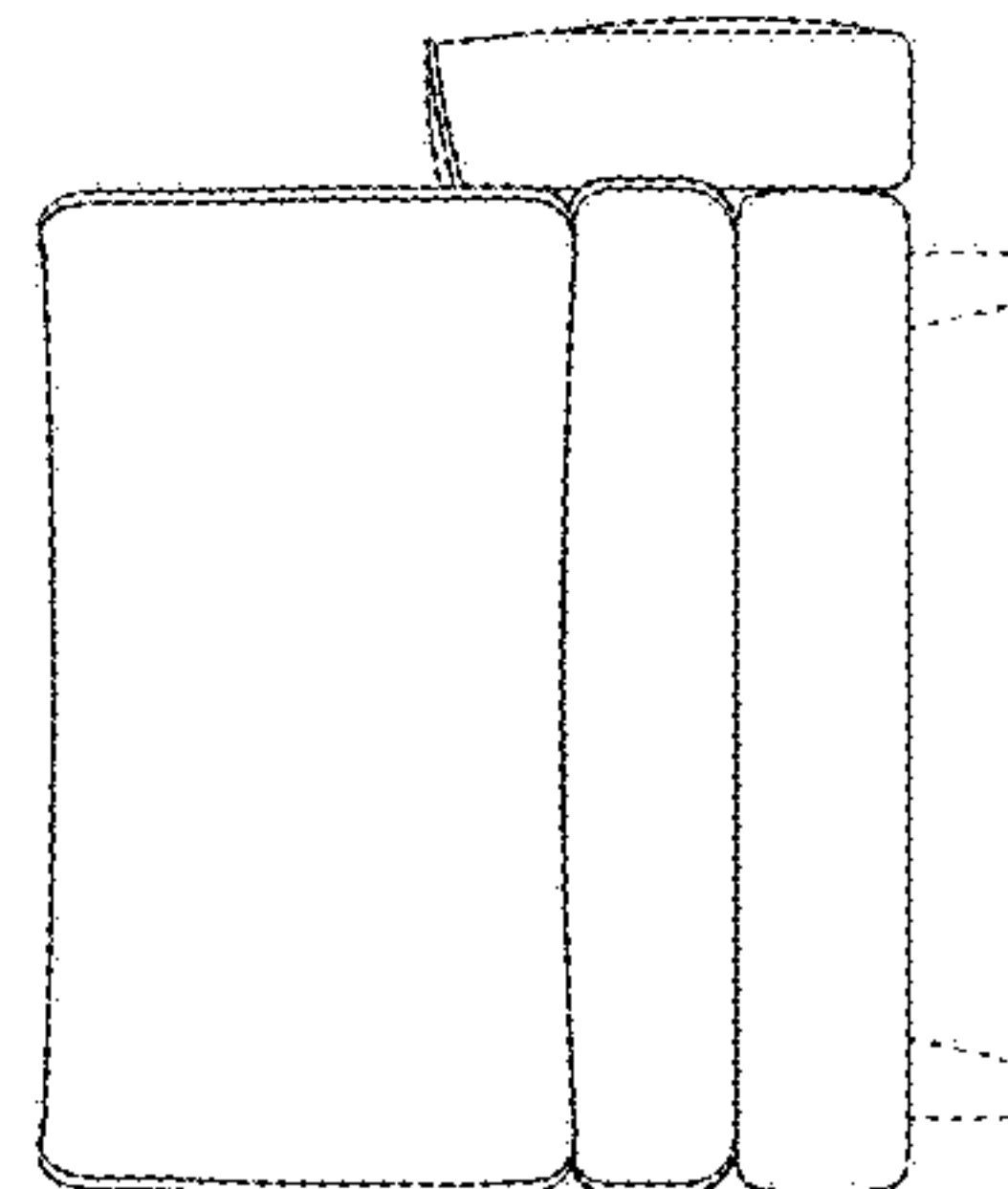


FIG. 5

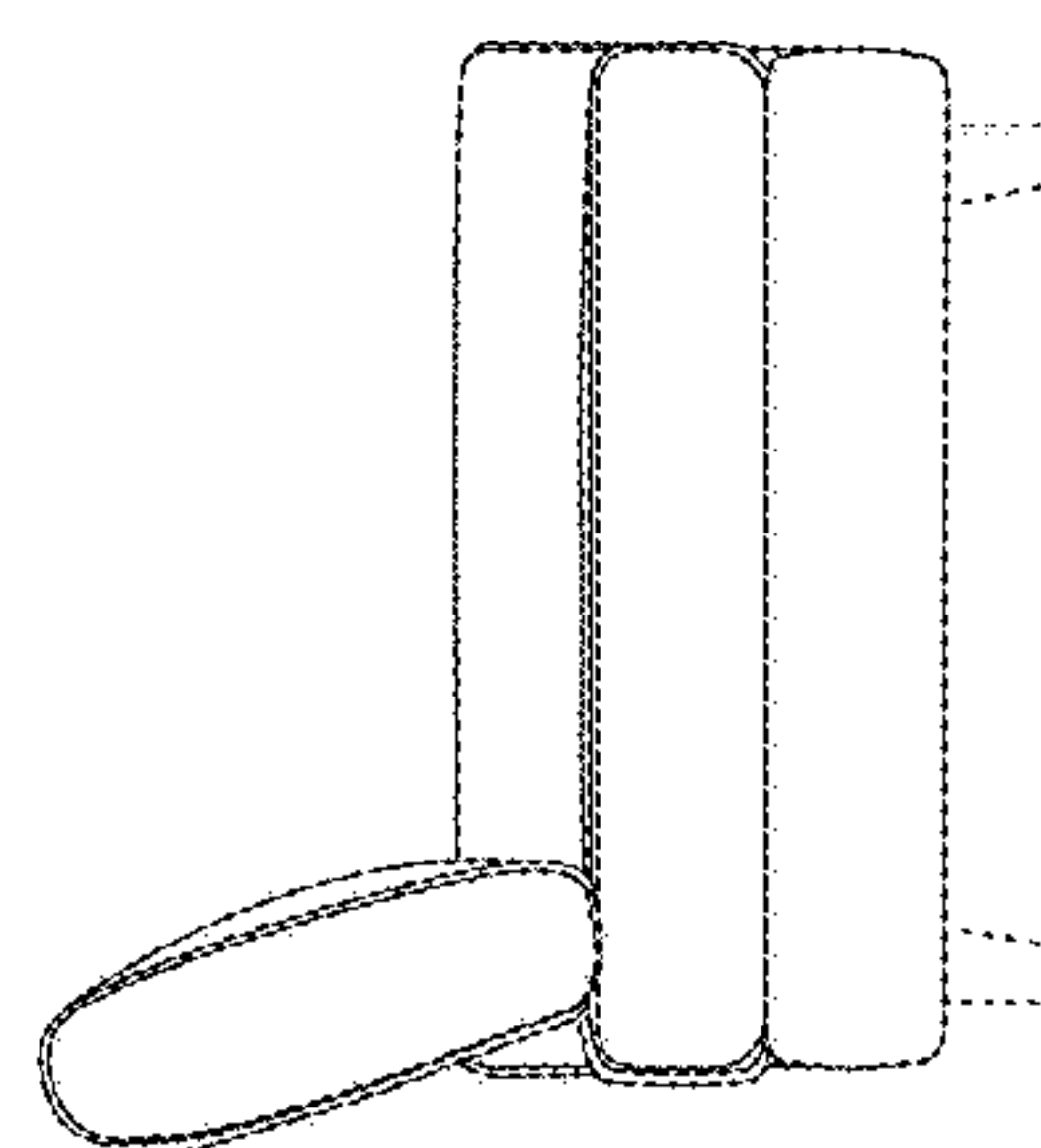


FIG. 4

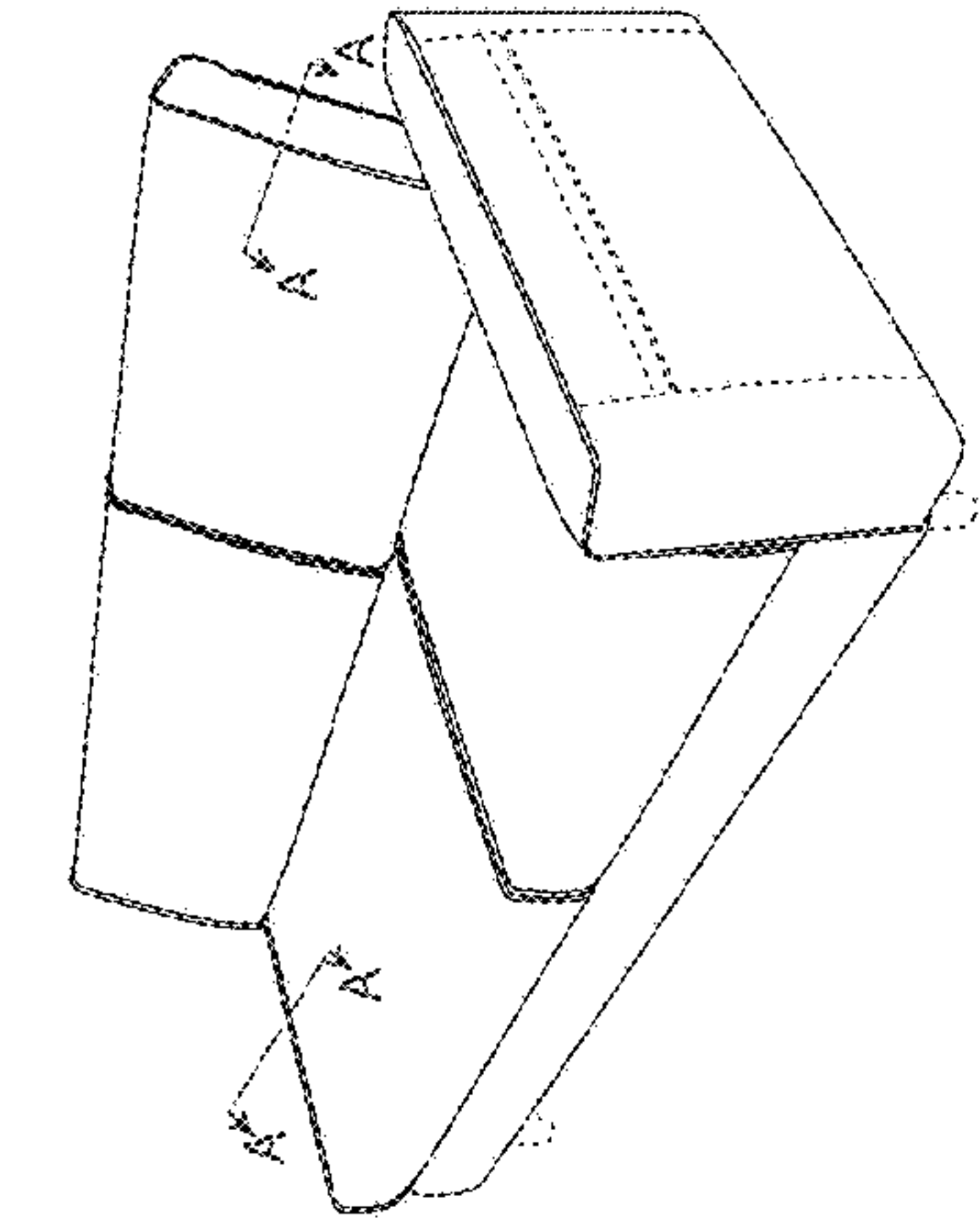


FIG. 9

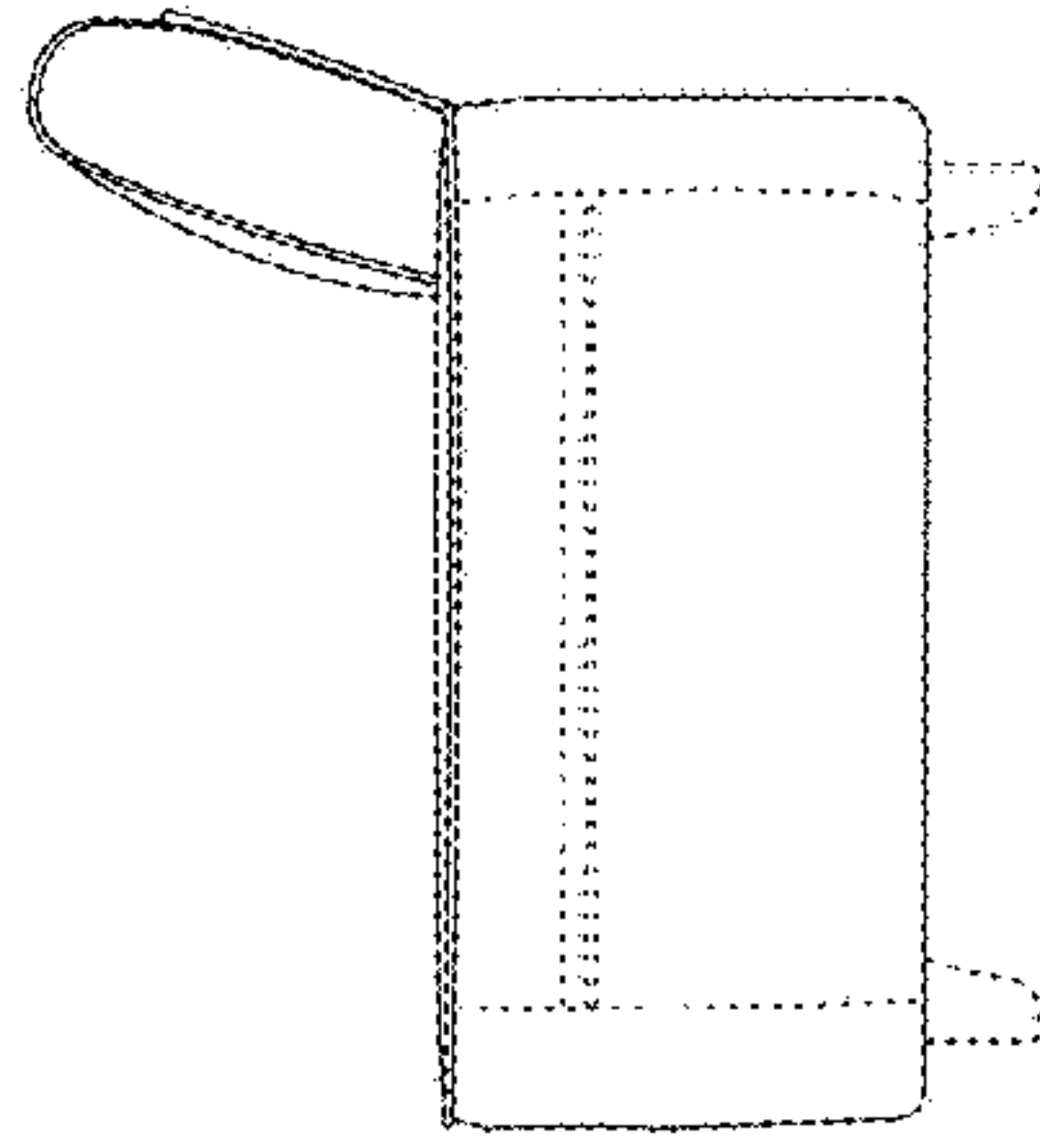


FIG. 14

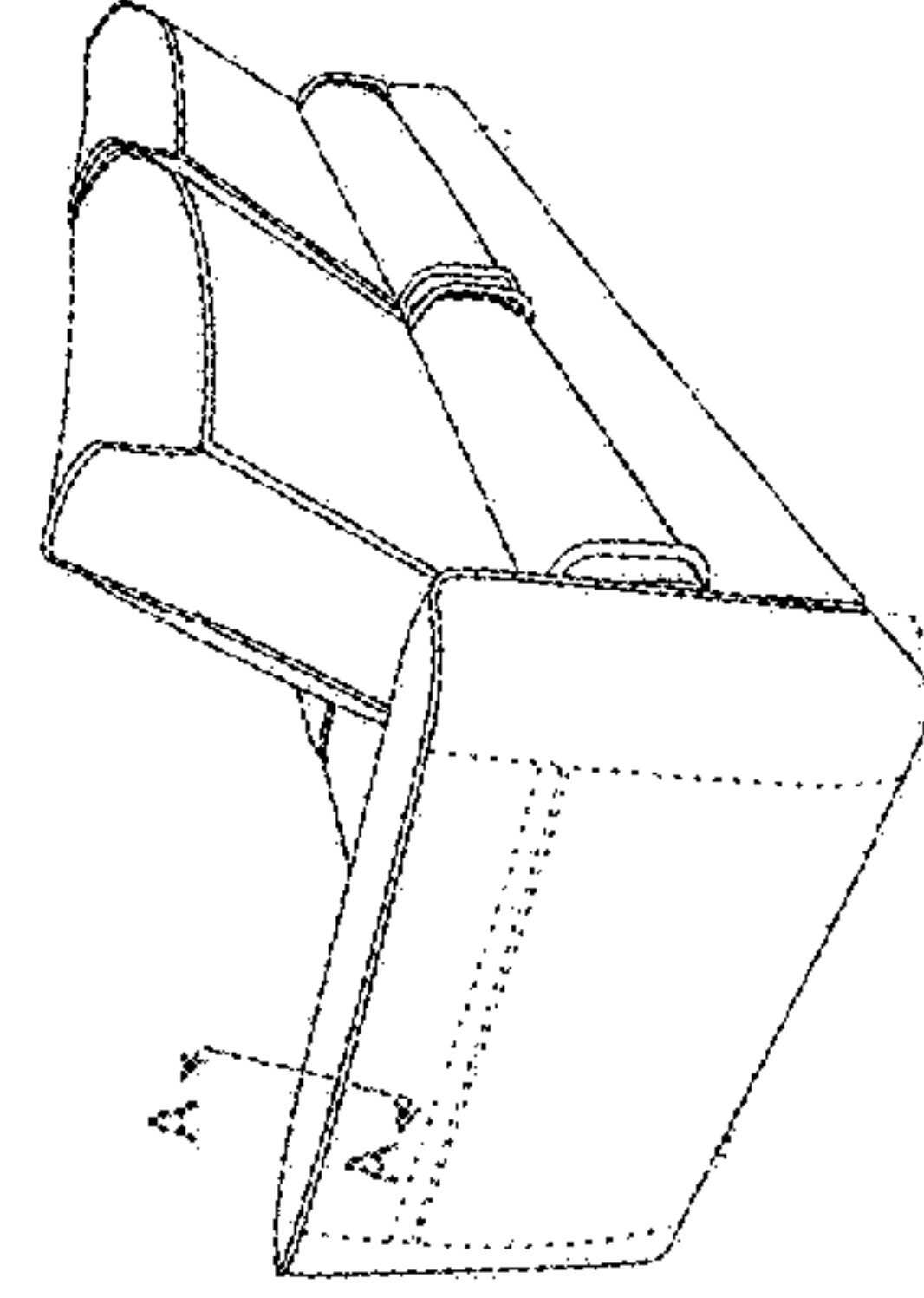


FIG. 15

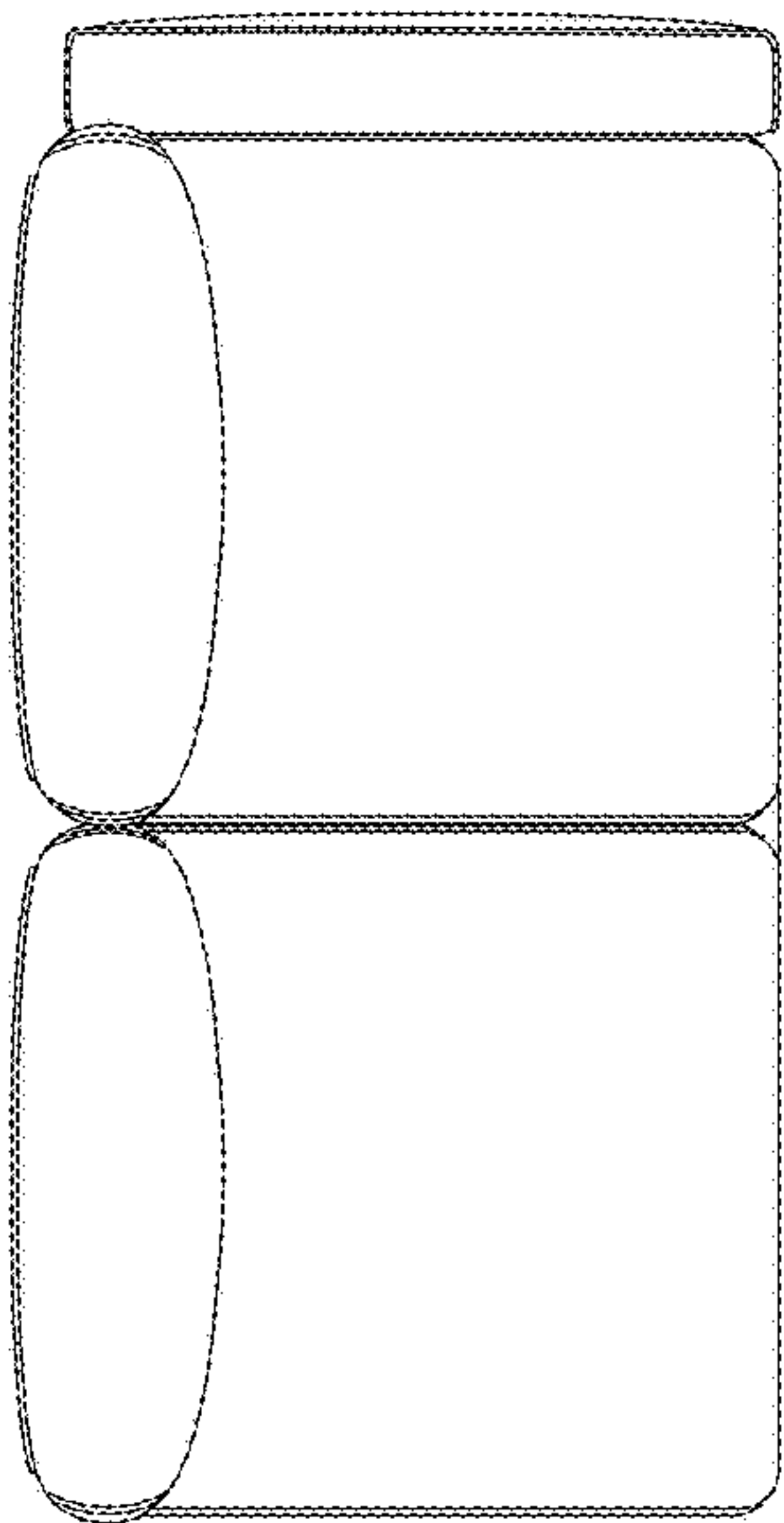


FIG. 10

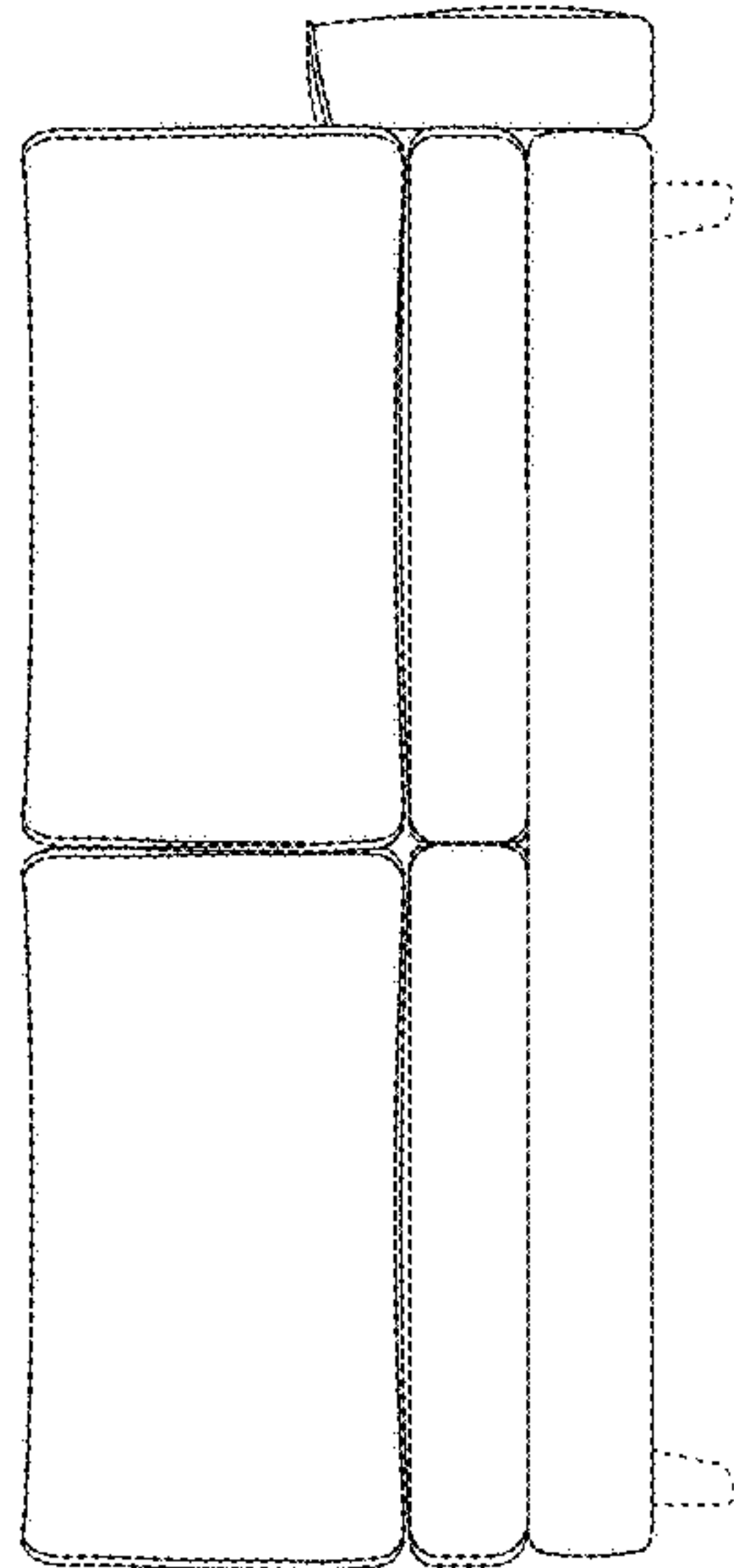


FIG. 13

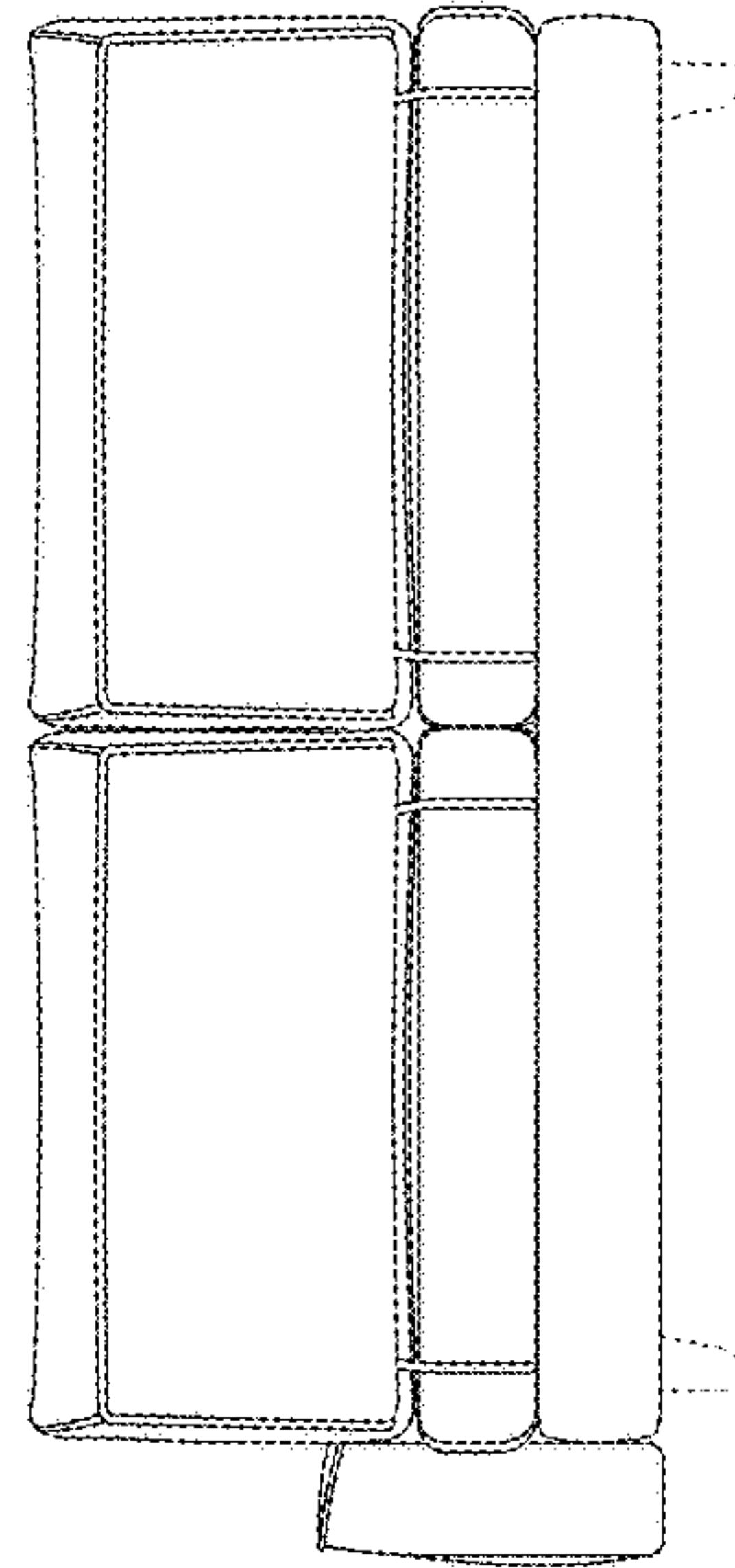


FIG. 11

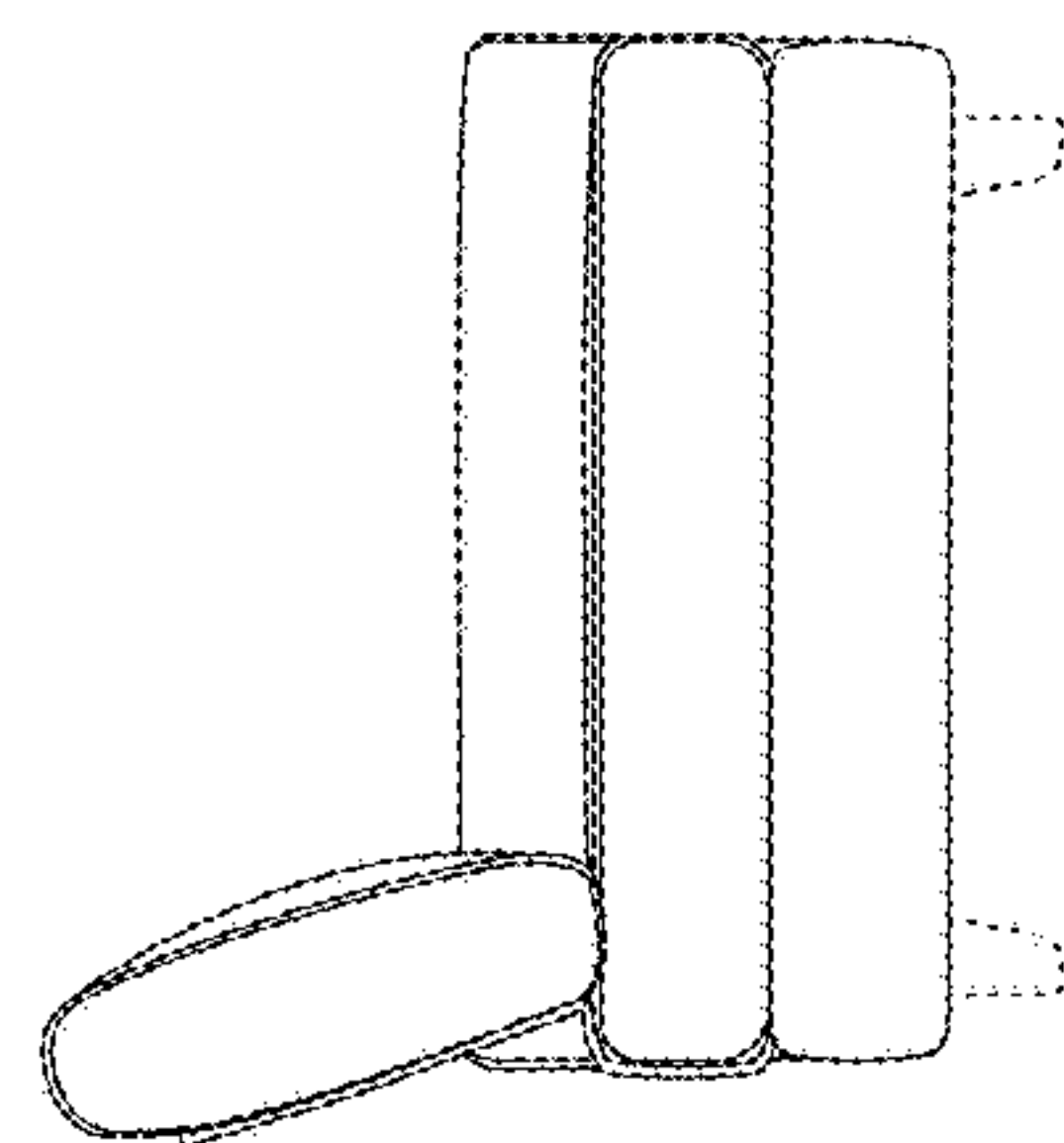


FIG. 12

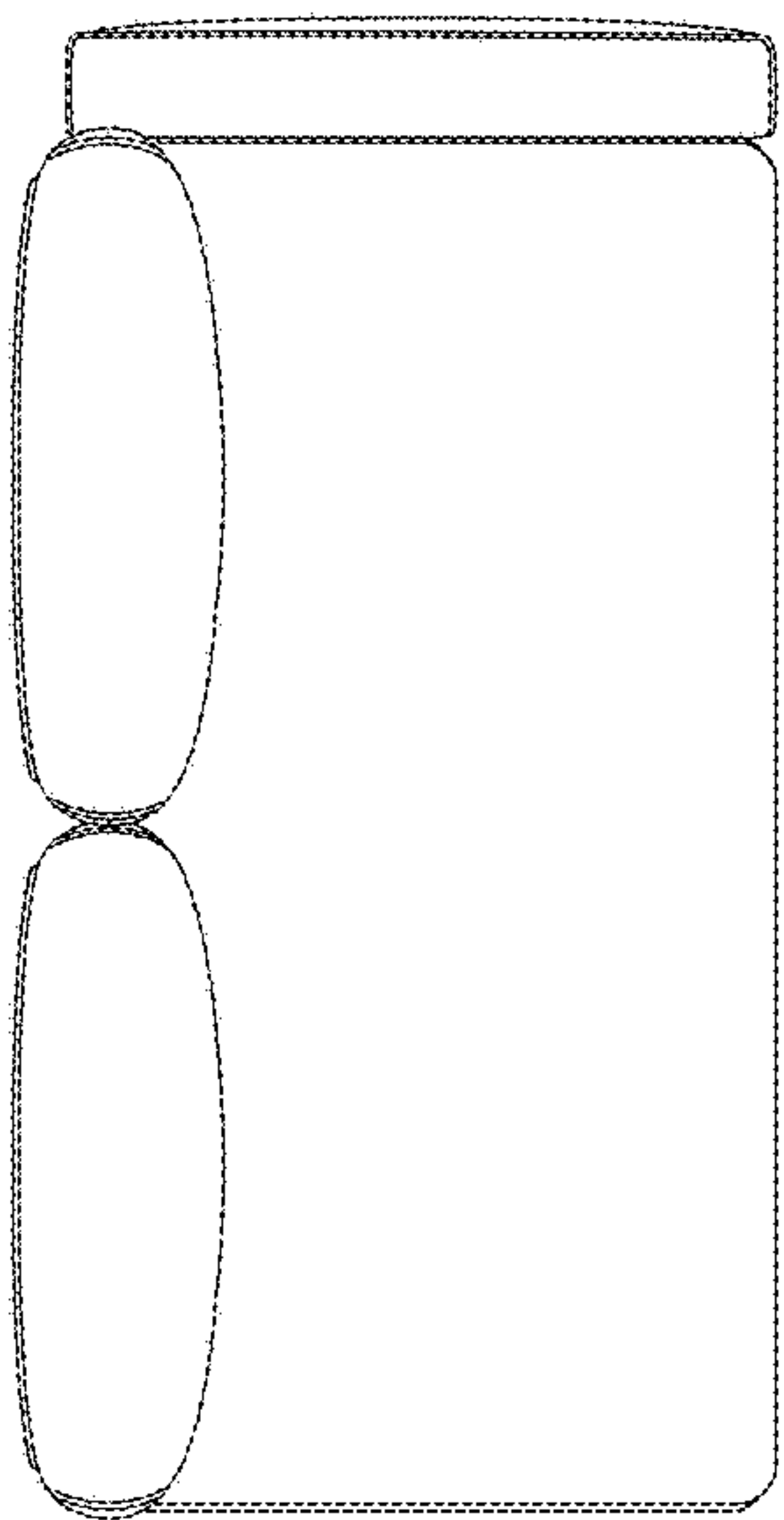


FIG. 17

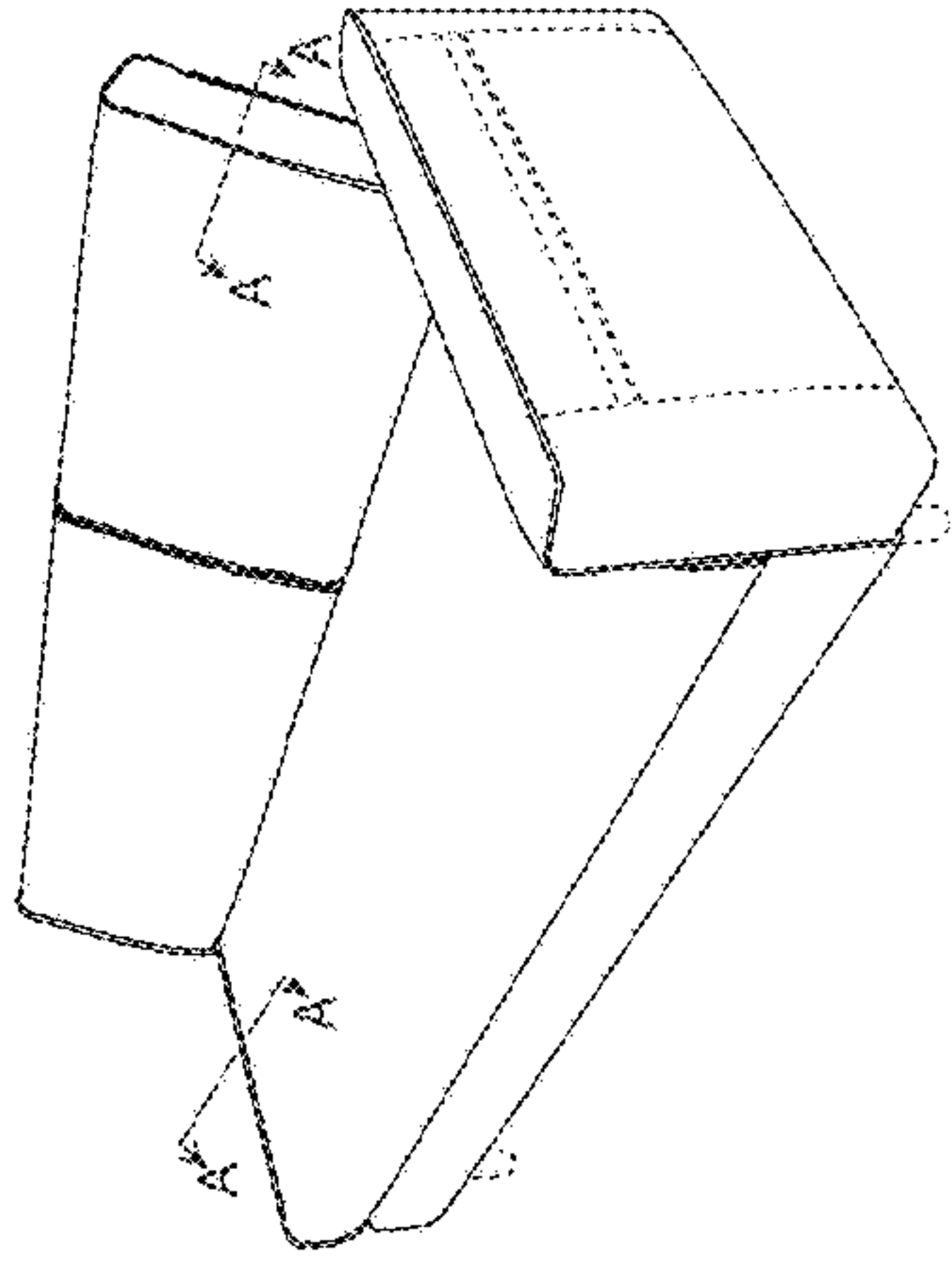


FIG. 16

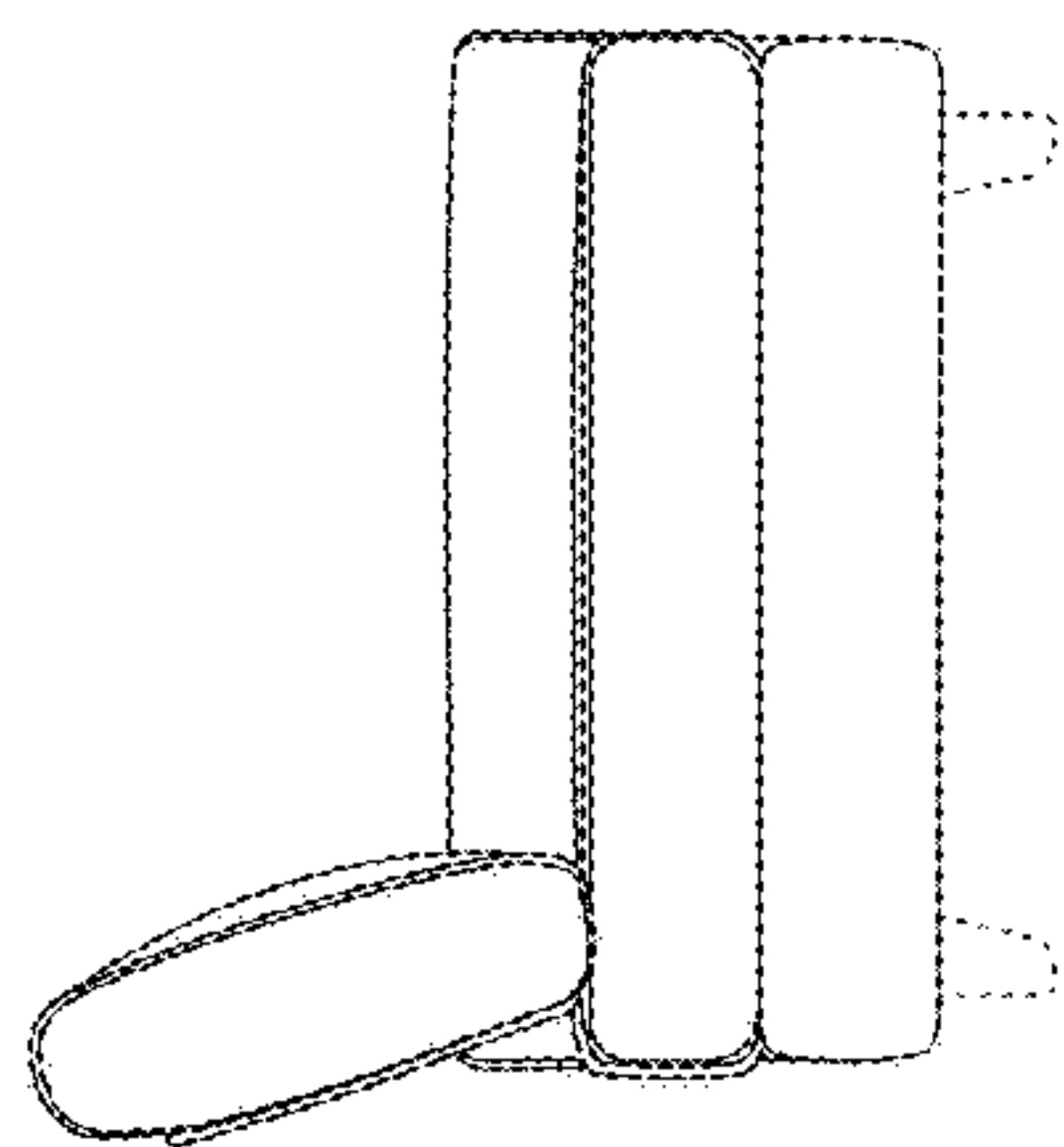


FIG. 19

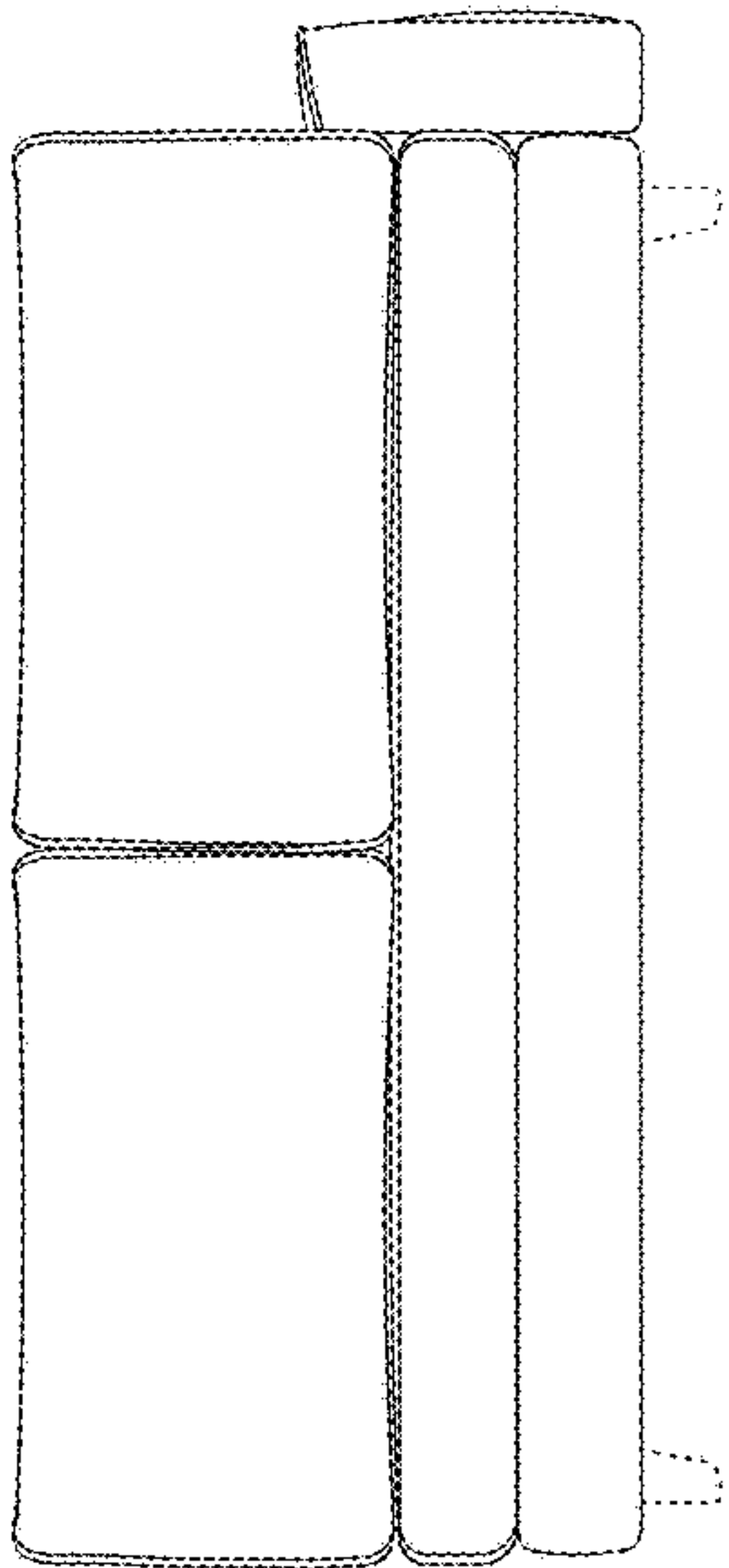


FIG. 20

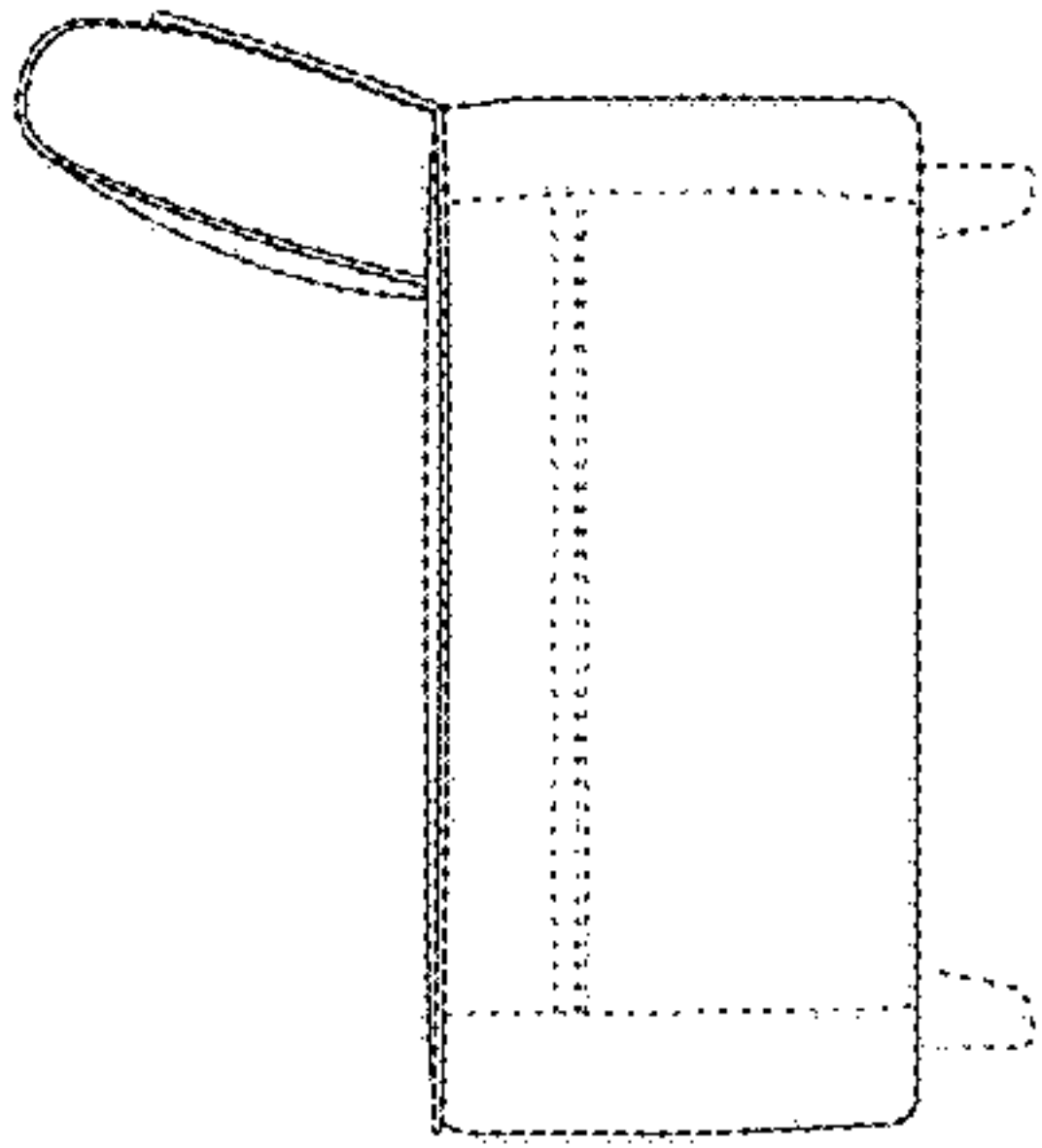


FIG. 21

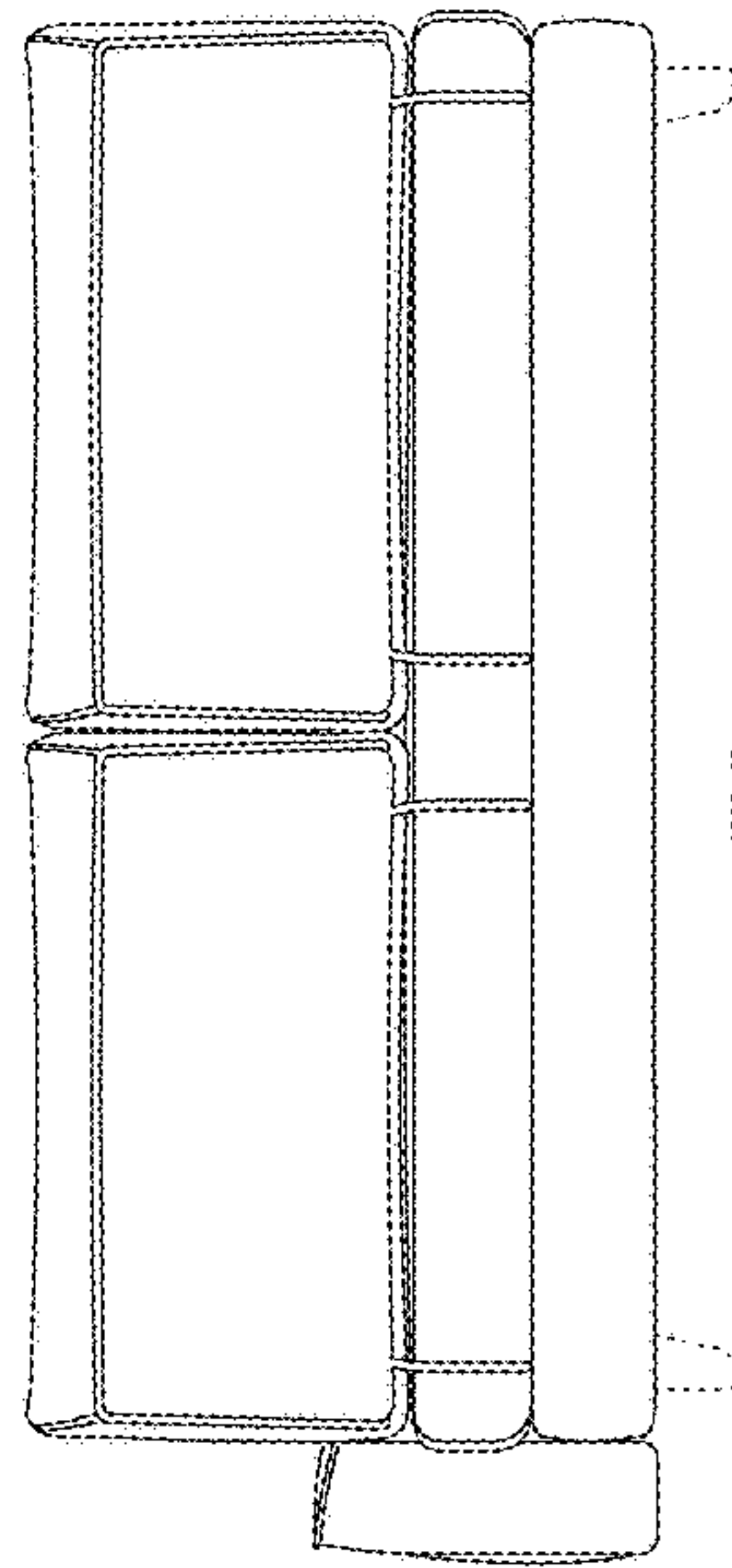


FIG. 18

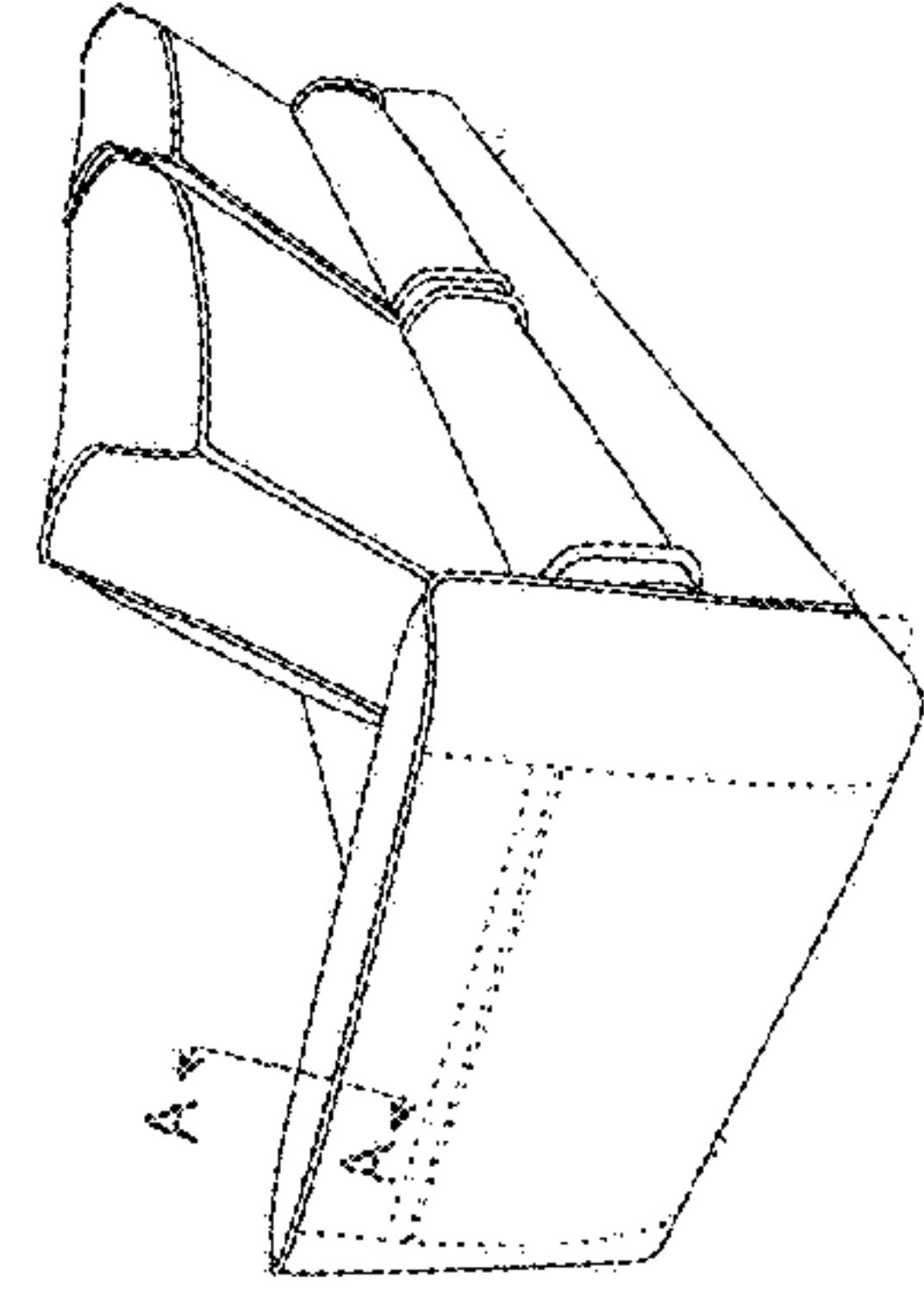


FIG. 22