



US00D851415S

(12) **United States Design Patent** (10) **Patent No.:** **US D851,415 S**
Nei (45) **Date of Patent:** **** Jun. 18, 2019**

(54) **HANGER**

Primary Examiner — Lauren R Calve

(71) Applicant: **SHENZHEN ESEOE TECHNOLOGY CO., LIMITED.,**
Shenzhen, Guangdong (CN)

(57) **CLAIM**

(72) Inventor: **Yi-Cai Nei,** Guangdong (CN)

The ornamental design for a hanger, as shown and described.

(73) Assignee: **SHENZHEN ESEOE TECHNOLOGY CO., LIMITED.,**
Shenzhen (CN)

DESCRIPTION

(**) Term: **15 Years**

(21) Appl. No.: **29/628,280**

(22) Filed: **Dec. 4, 2017**

(51) **LOC (11) Cl.** **06-08**

(52) **U.S. Cl.**
USPC **D6/319**

(58) **Field of Classification Search**
USPC D6/315–328
CPC A47G 25/26; A47G 25/28; A47G 25/30;
A47G 25/32; A47G 25/34; A47G 25/36;
A47G 25/38; A47G 25/442; A47G
25/625; A47G 25/743; A47G 25/1407;
A47G 25/1457; A47G 2025/1492; A47F
7/18; A47F 7/19; A47F 7/22
See application file for complete search history.

(56) **References Cited**

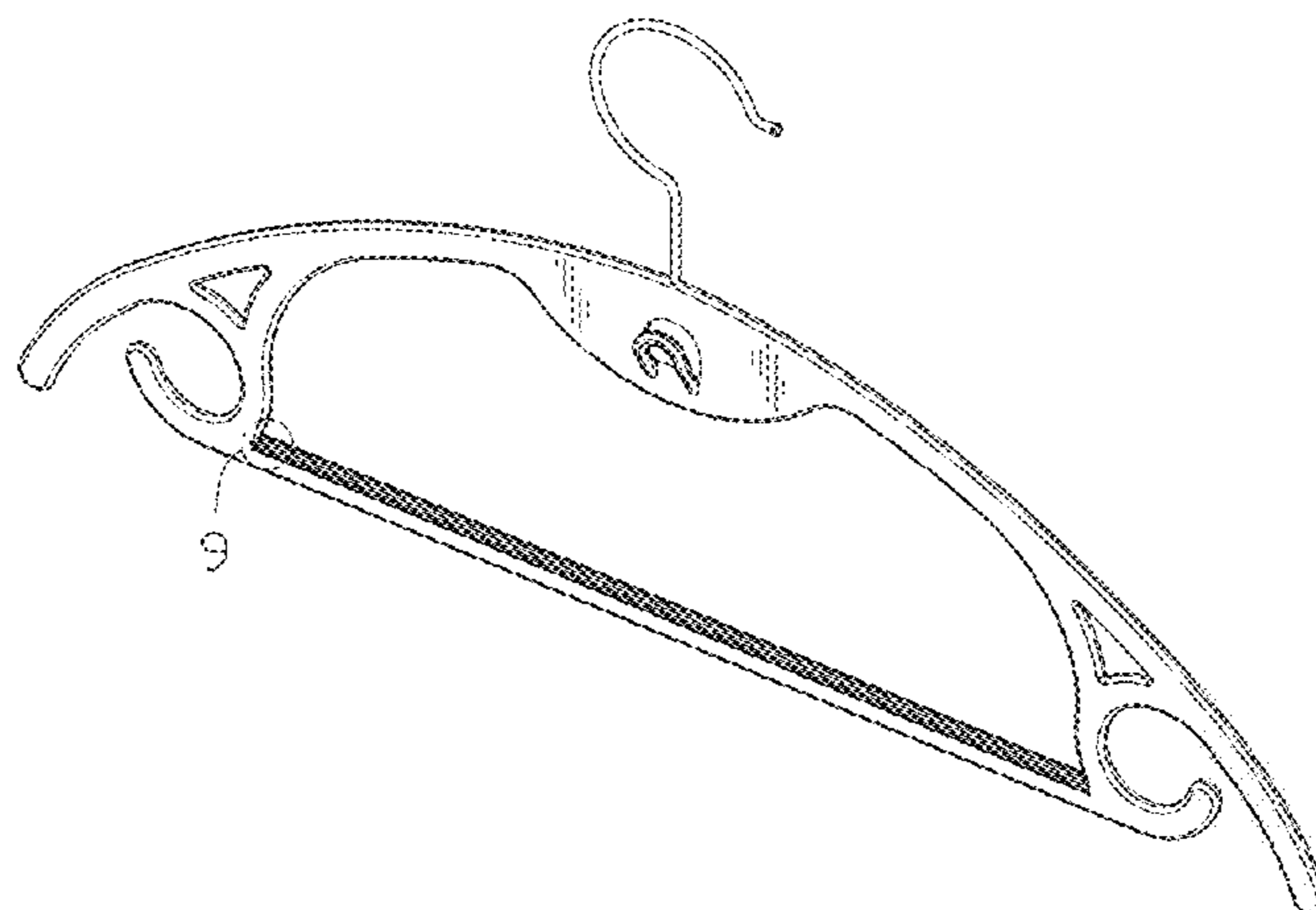
U.S. PATENT DOCUMENTS

D136,082	S	*	8/1943	Schreiber	223/87
2,340,320	A	*	2/1944	Goldbert	A47G 25/487
						223/91
D146,262	S	*	1/1947	Mack, Sr.	223/91
D149,517	S	*	5/1948	Read	D6/319
D159,538	S	*	8/1950	Savran	223/92
D192,280	S	*	2/1962	Zuckerman	223/92
3,069,054	A	*	12/1962	Treiman	A47G 25/32
						223/92
D202,240	S	*	9/1965	Bissonnette et al.	223/95
D205,113	S	*	6/1966	Coon	223/88

(Continued)

FIG. 1 is a front perspective view of a hanger showing a first embodiment of my new design;
 FIG. 2 is a rear perspective view thereof;
 FIG. 3 is a front elevational view thereof;
 FIG. 4 is a rear elevational view thereof;
 FIG. 5 is a left side elevational view thereof;
 FIG. 6 is a right side elevational view thereof;
 FIG. 7 is a top plan view thereof;
 FIG. 8 is a bottom plan view thereof;
 FIG. 9 is a partial enlarged view thereof according to the designated broken circle shown in FIG. 1;
 FIG. 10 is a partial enlarged view thereof according to the designate broken circle shown in FIG. 3;
 FIG. 11 is a partial enlarged view thereof according to the designated broken circle shown in FIG. 5;
 FIG. 12 is a front perspective view of a hanger showing a second embodiment of my new design;
 FIG. 13 is a rear perspective view thereof;
 FIG. 14 is a front elevational view thereof;
 FIG. 15 is a rear elevational view thereof;
 FIG. 16 is a left side elevational view thereof;
 FIG. 17 is a right side elevational view thereof;
 FIG. 18 is a top plan view thereof;
 FIG. 19 is a bottom plan view thereof;
 FIG. 20 is a partial enlarged view thereof according to the designated broken circle shown in FIG. 12;
 FIG. 21 is a partial enlarged view thereof according to the designated broken circle shown in FIG. 14; and,
 FIG. 22 is a partial enlarged view thereof according to the designated broken circle shown in FIG. 16.

1 Claim, 22 Drawing Sheets



(56)

References Cited

U.S. PATENT DOCUMENTS

3,346,879 A * 10/1967 Buzzelli A47G 25/28
2/271
D241,903 S * 10/1976 Niclaus D6/319
5,680,972 A * 10/1997 Clarke A47G 25/32
223/88
D414,945 S * 10/1999 Prince D6/317
6,230,945 B1 * 5/2001 Licari A47G 25/28
223/85
9,113,736 B1 * 8/2015 Antler A47G 25/32
D737,581 S * 9/2015 Li D6/319
2012/0138641 A1 * 6/2012 Yamada A47G 25/1442
223/85
2012/0234876 A1 * 9/2012 Diamond A47G 25/1442
223/85
2015/0083760 A1 * 3/2015 Barre A47G 25/32
223/85
2016/0235233 A1 * 8/2016 Apelbaum A47G 25/32

* cited by examiner

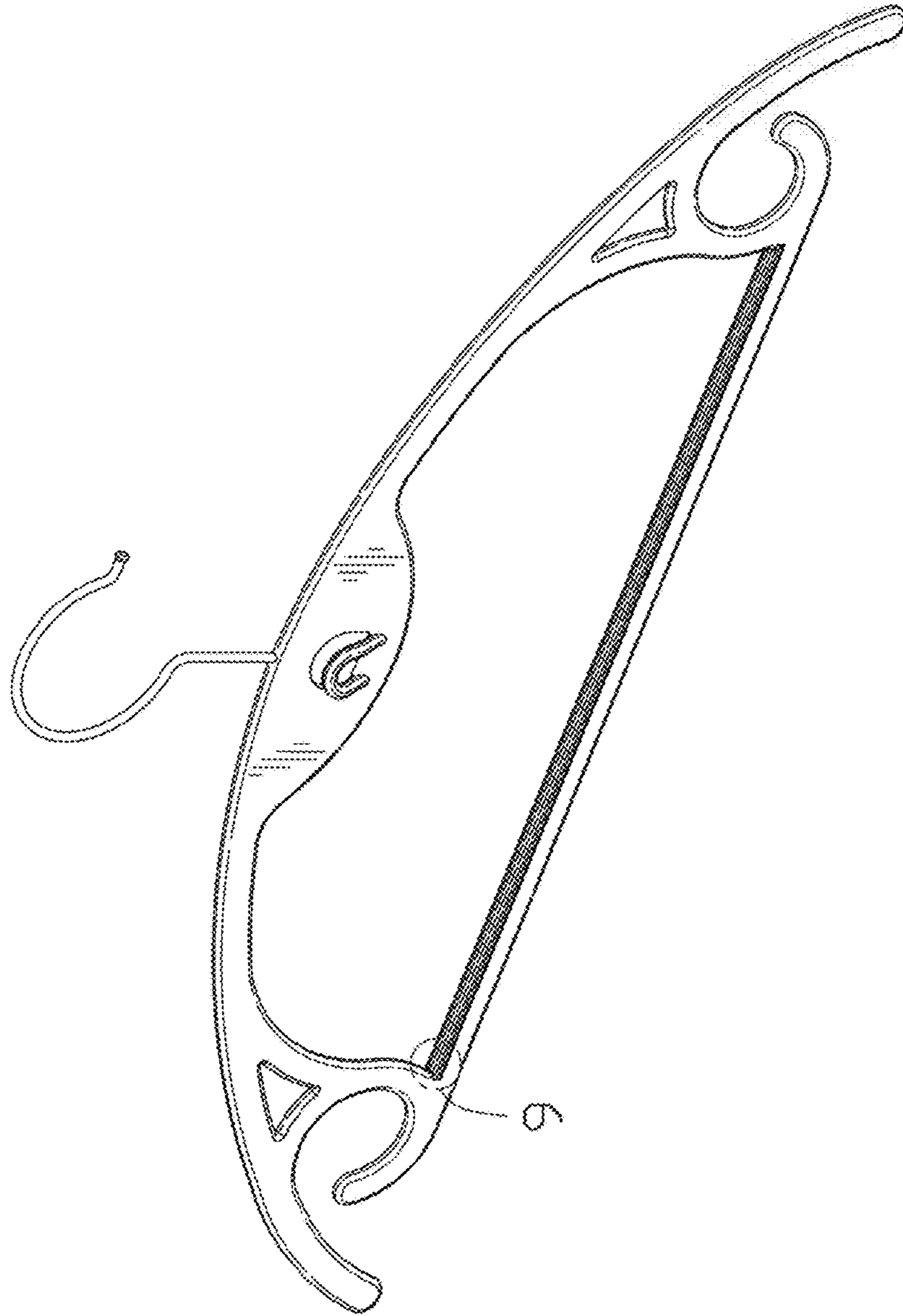


FIG. 1

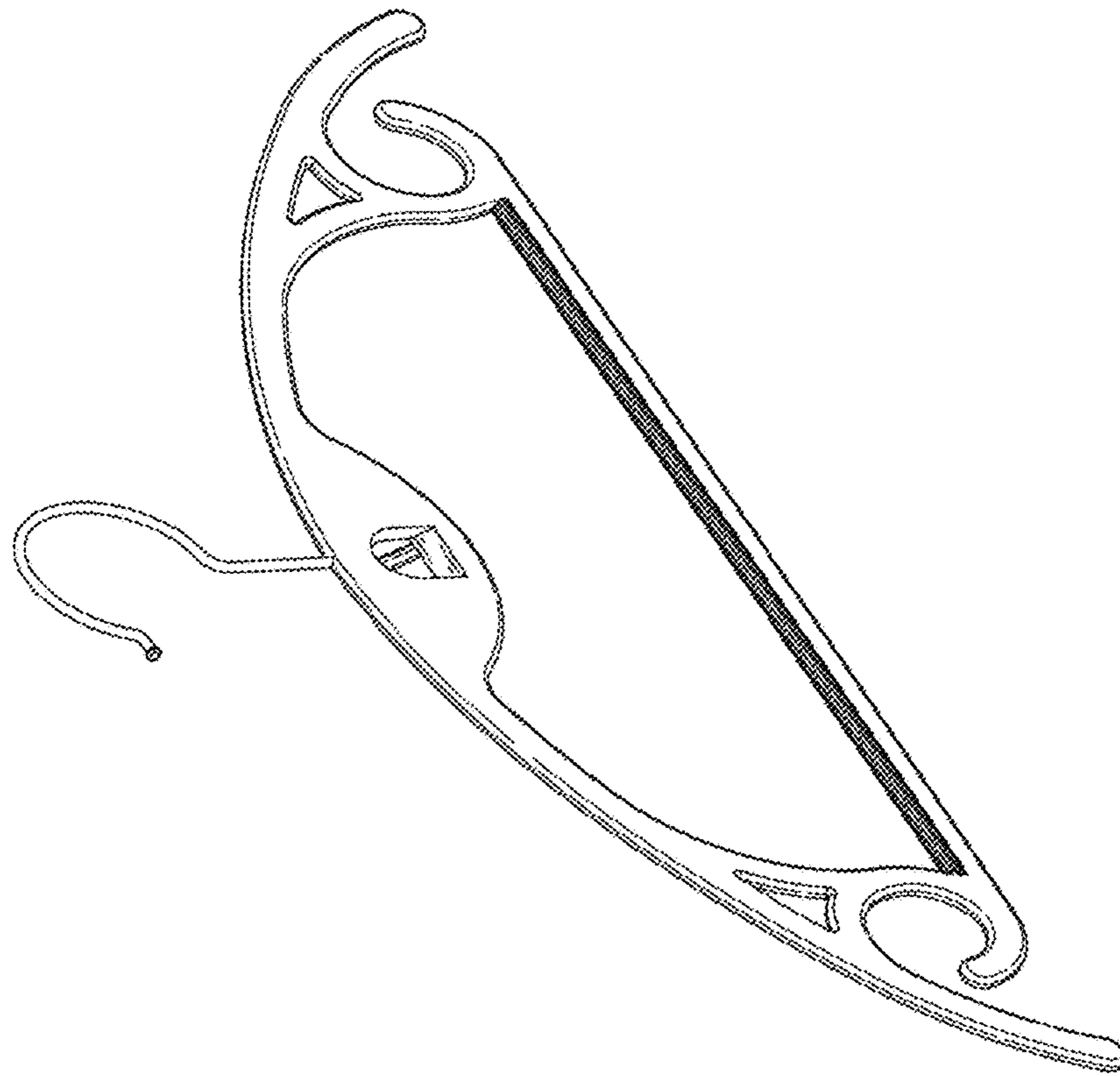


FIG. 2

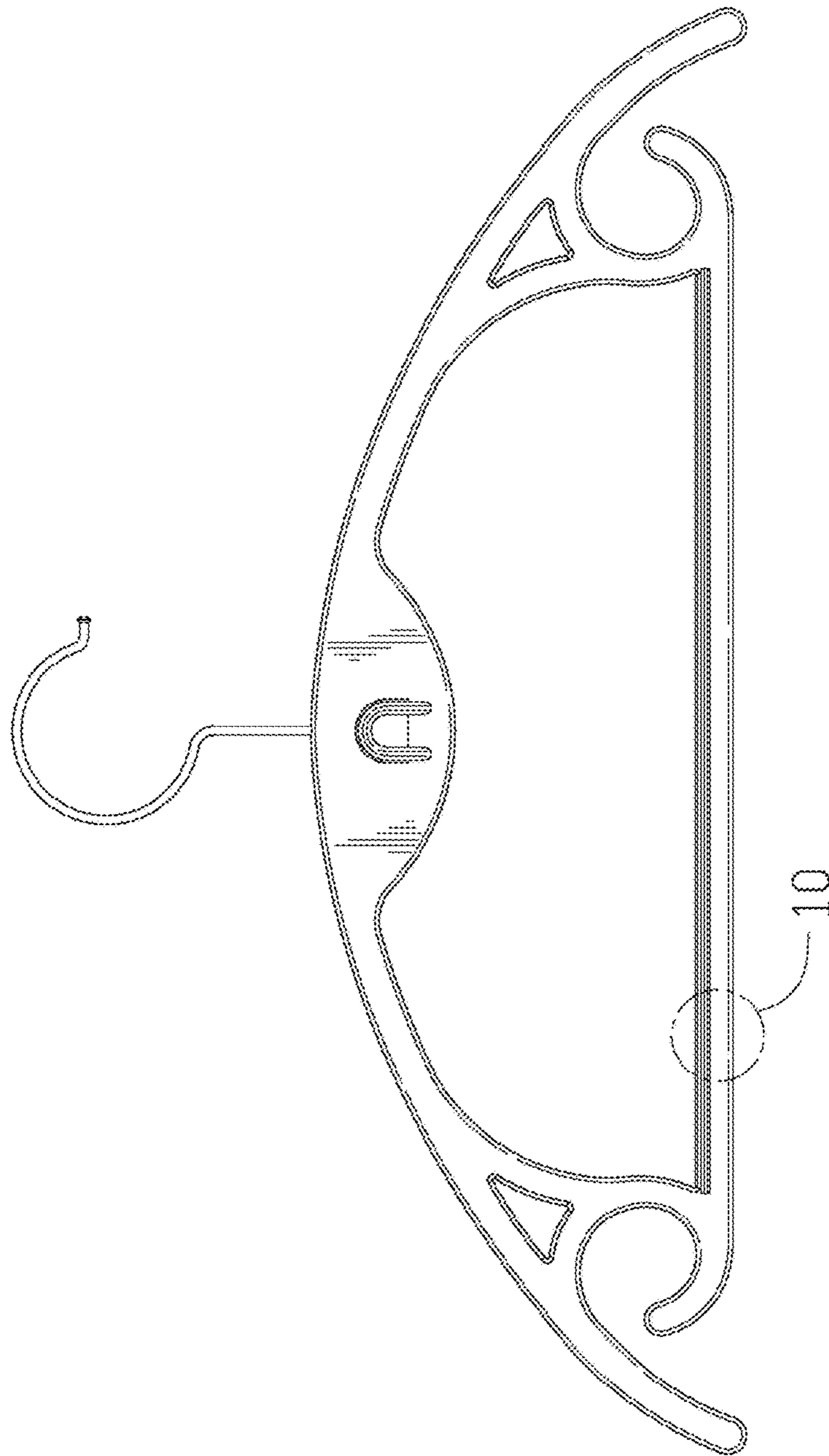


FIG. 3

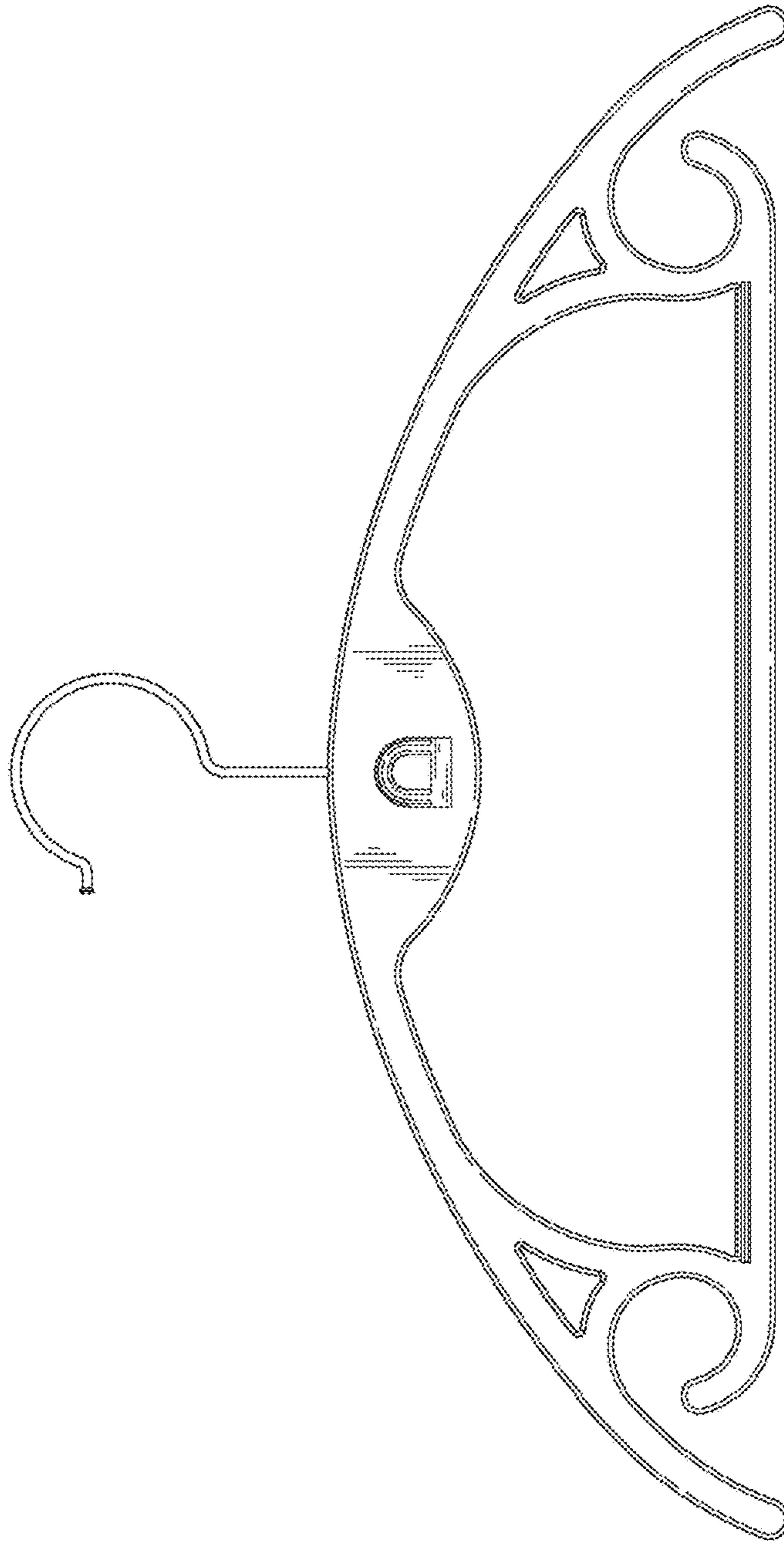


FIG. 4

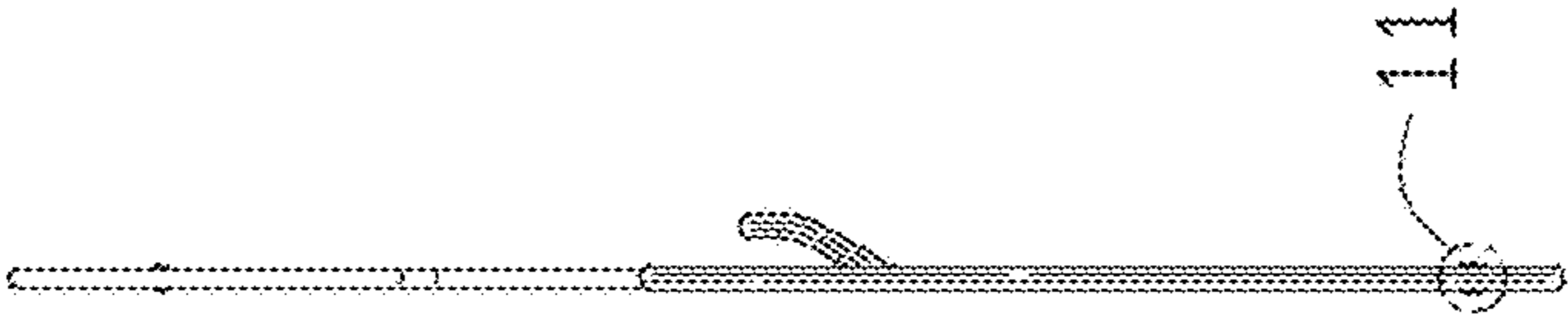


FIG. 5

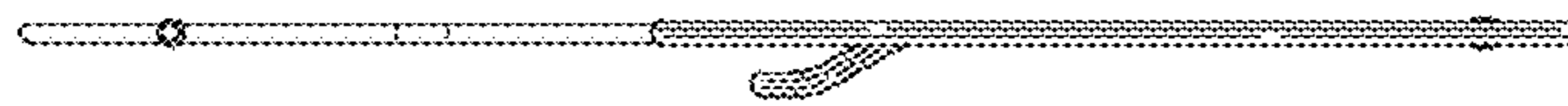


FIG. 6



FIG. 7



FIG. 8

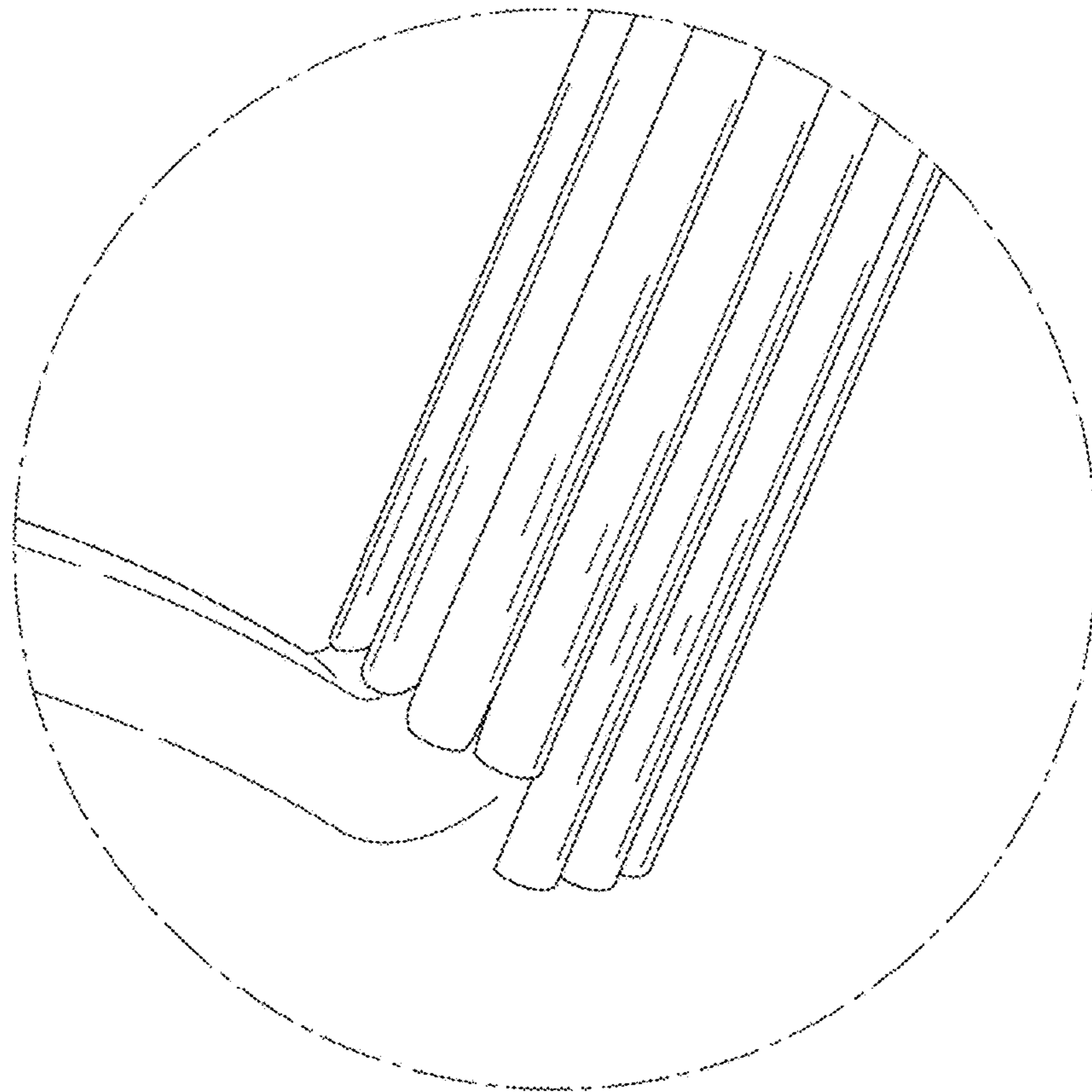


FIG. 9

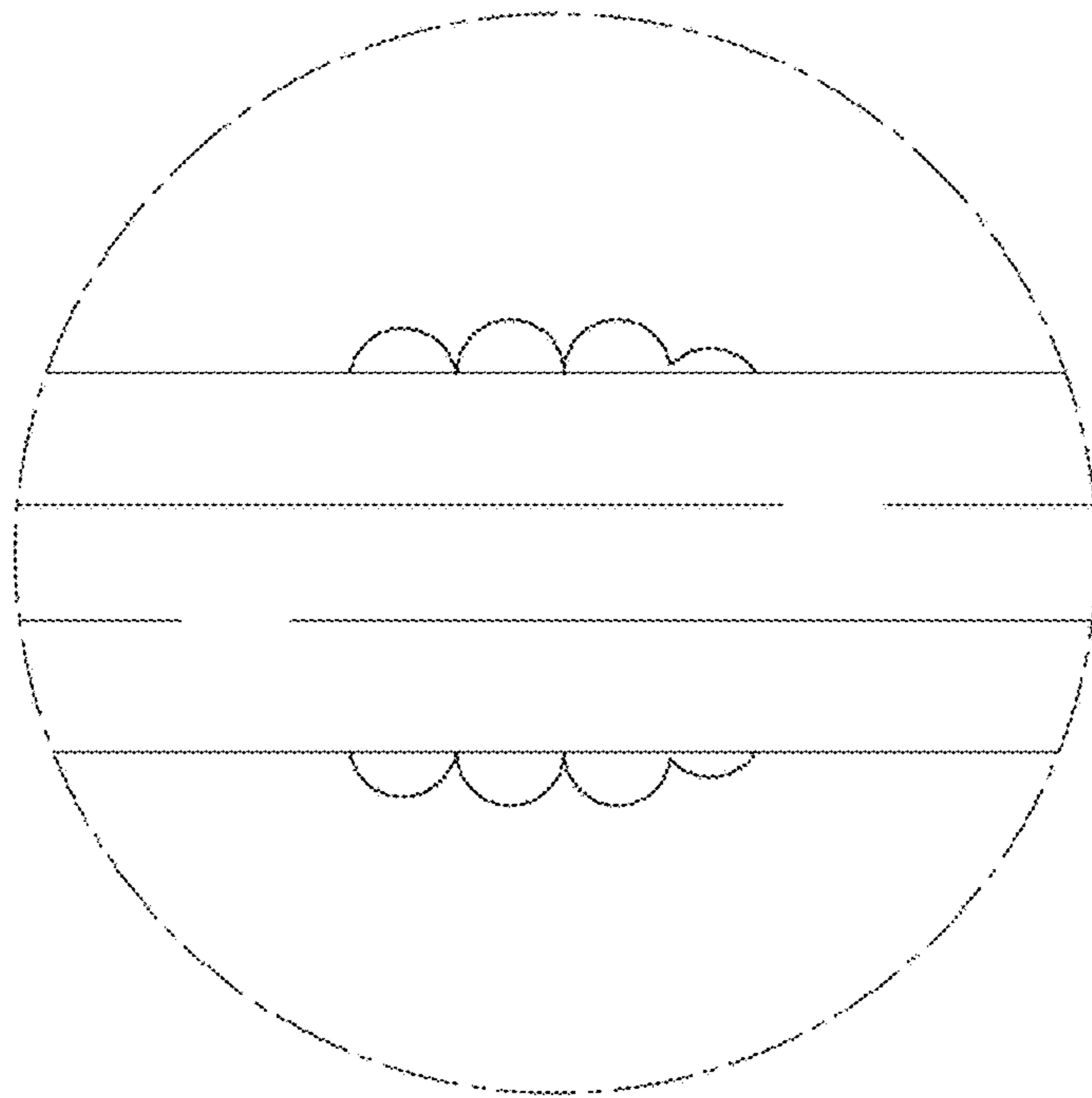


FIG. 11

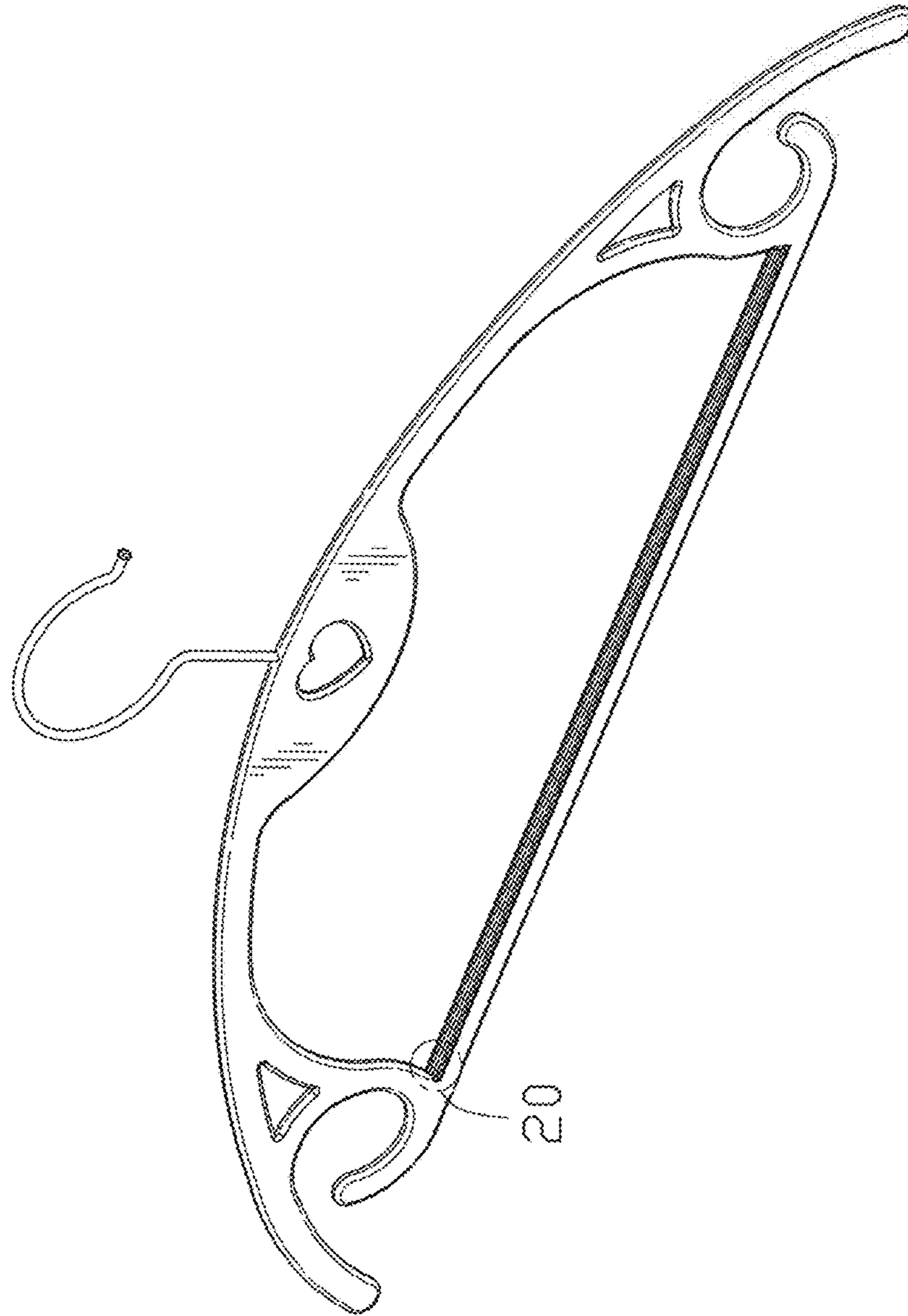


FIG. 12

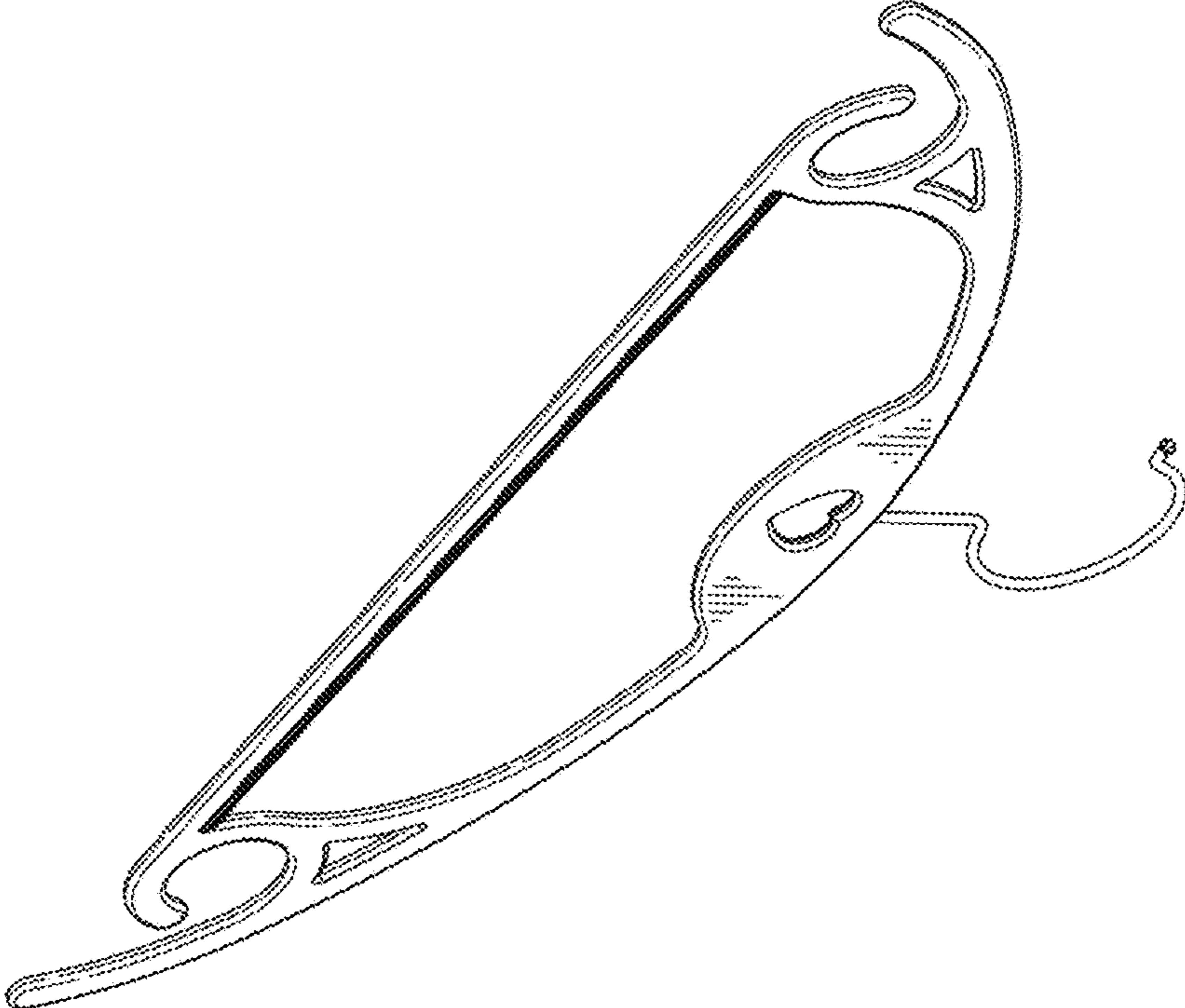


FIG. 13

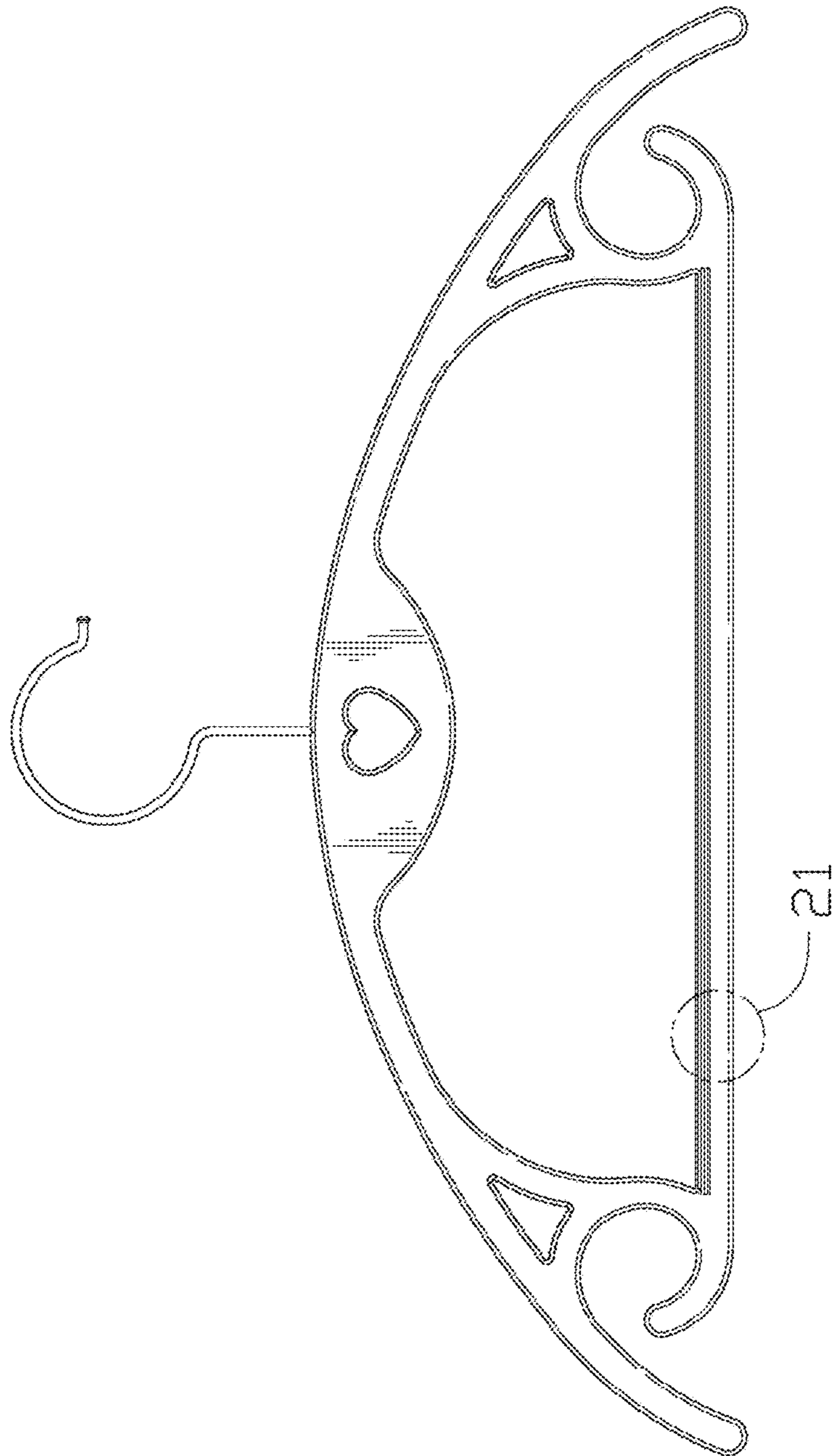


FIG. 14

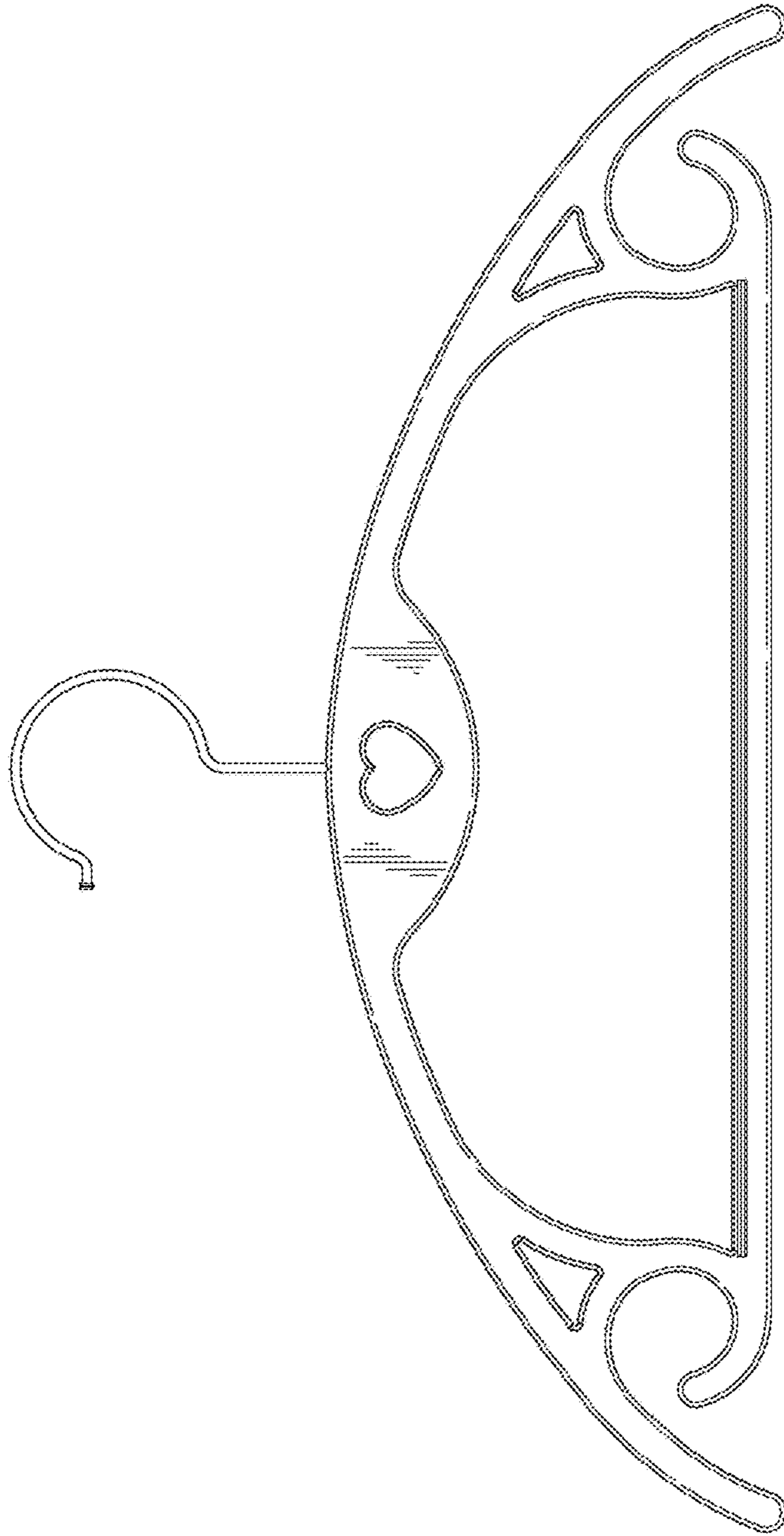


FIG. 15

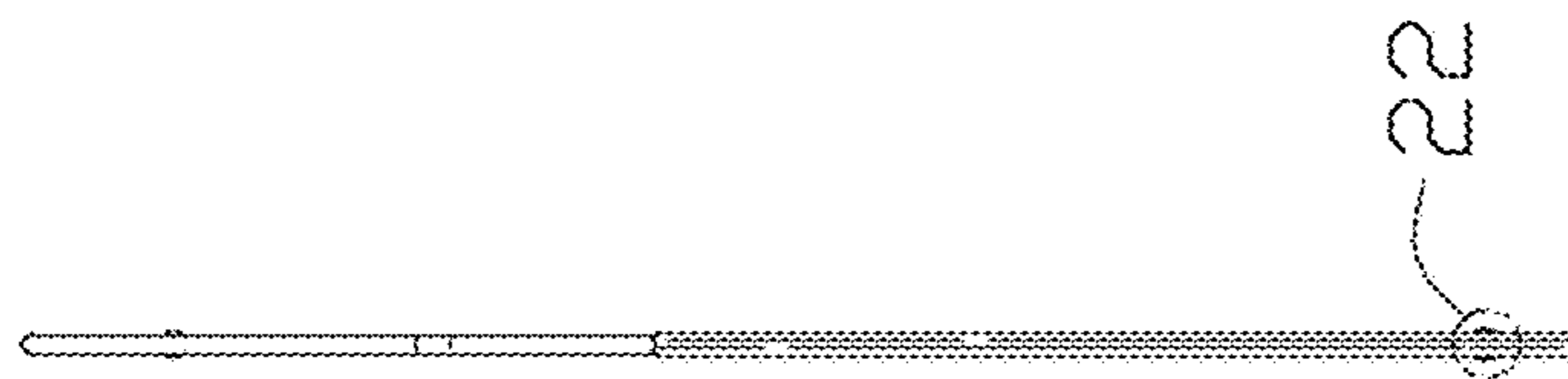


FIG. 16

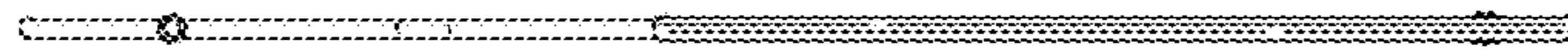


FIG. 17



FIG. 18



FIG. 19

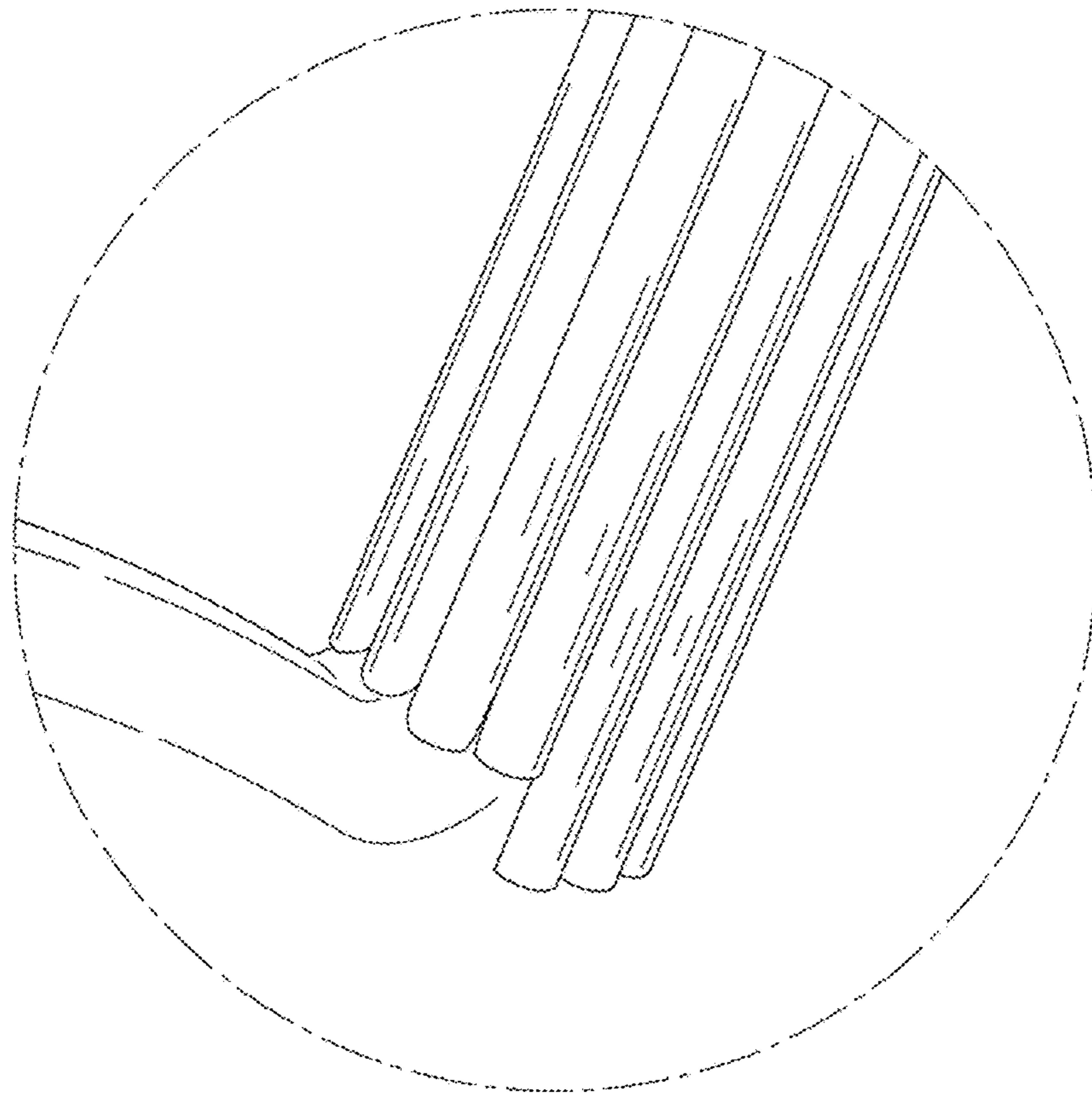


FIG. 20

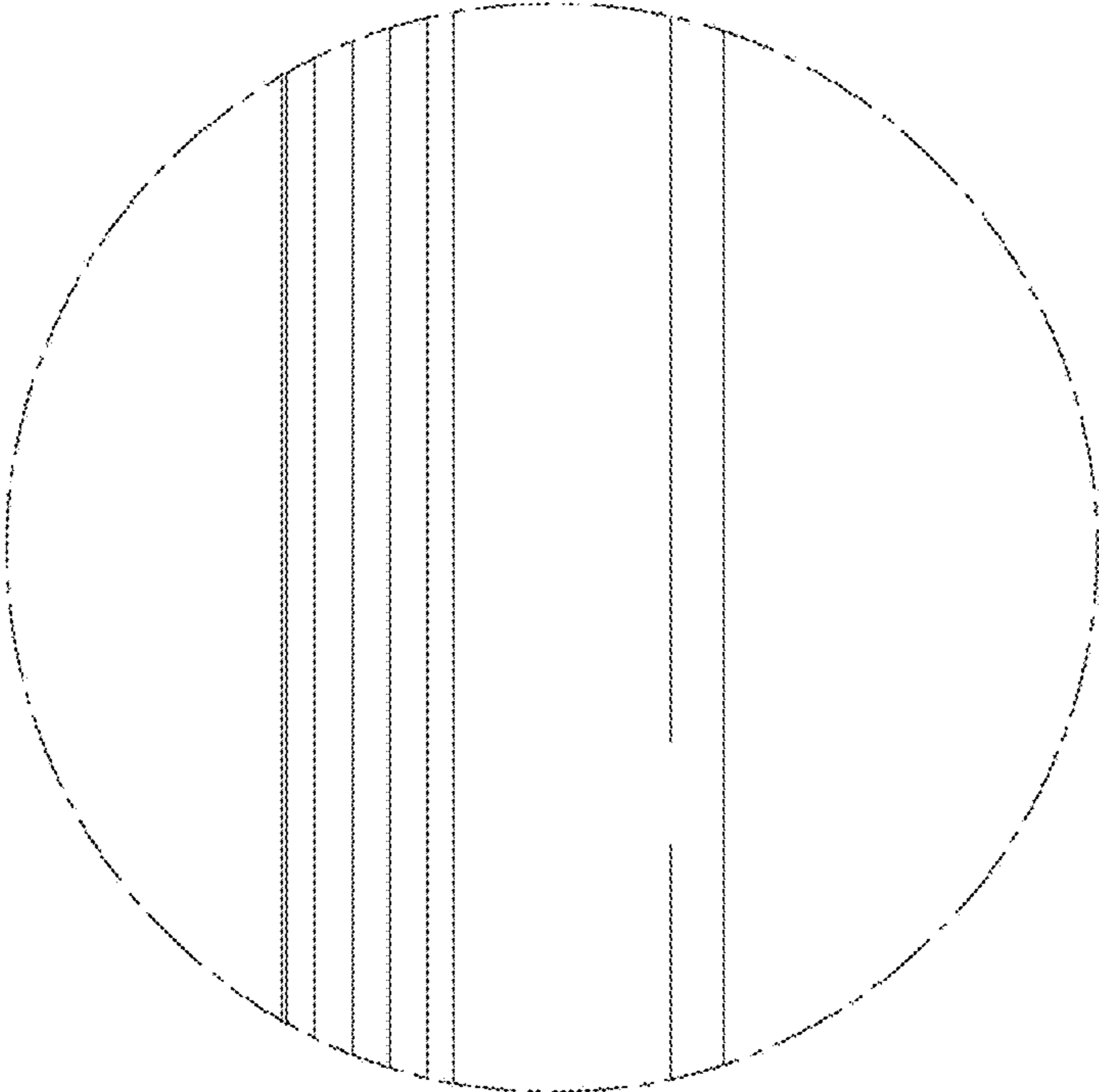


FIG. 21

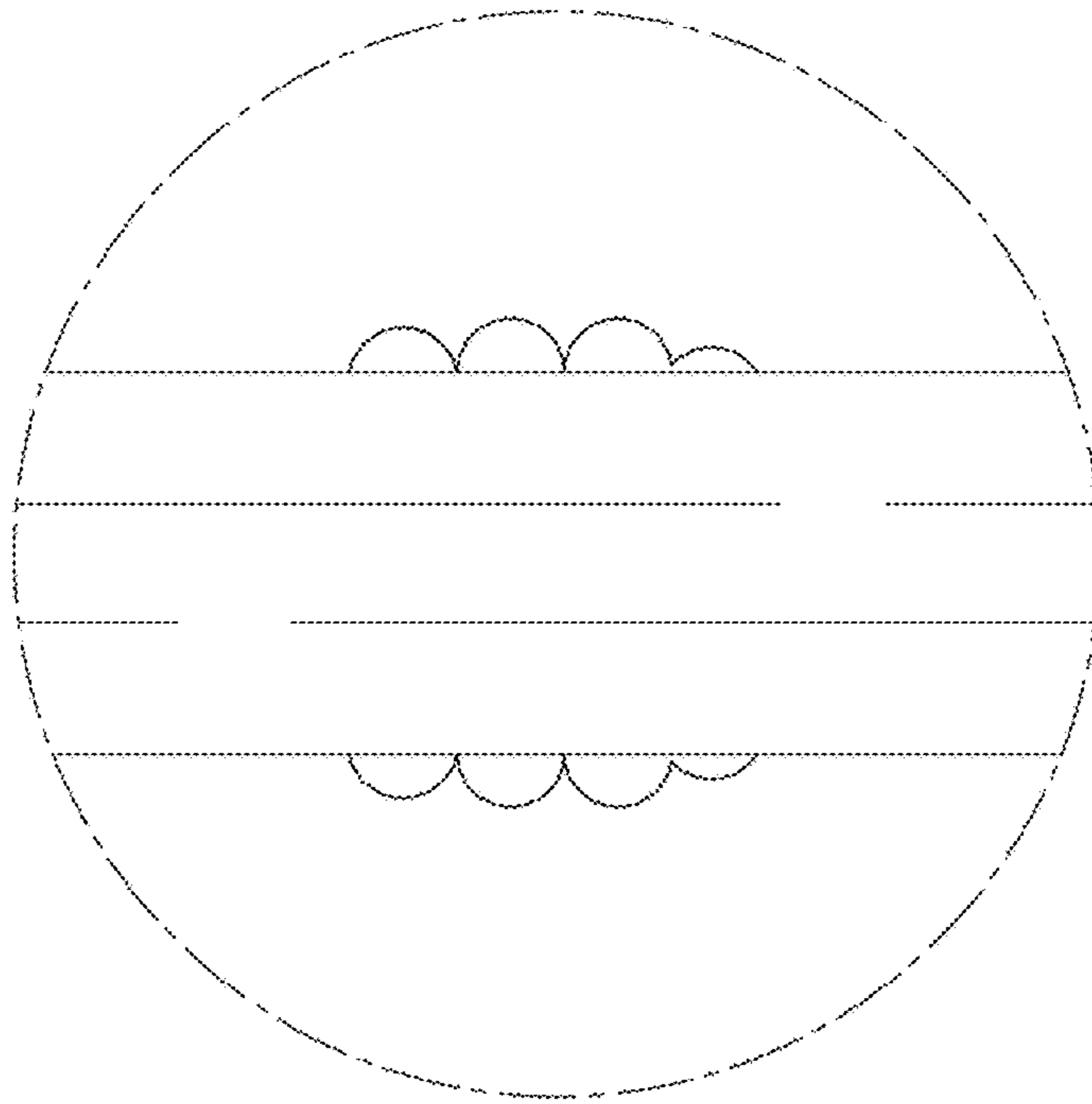


FIG. 22