

US00D851409S

(12) **United States Design Patent**
Harrington

(10) **Patent No.:** **US D851,409 S**

(45) **Date of Patent:** **** Jun. 18, 2019**

(54) **DETAIL BRUSH HANDLE**

(71) Applicant: **Unger Marketing International, LLC**,
Bridgeport, CT (US)

(72) Inventor: **William Harrington**, Charlestown, RI
(US)

(73) Assignee: **UNGER MARKETING
INTERNATIONAL, LLC**, Bridgeport,
CT (US)

(**) Term: **15 Years**

(21) Appl. No.: **29/634,783**

(22) Filed: **Jan. 24, 2018**

(51) **LOC (11) Cl.** **04-01**

(52) **U.S. Cl.**
USPC **D4/138**

(58) **Field of Classification Search**
USPC D4/101, 114, 115, 116, 117, 118, 121,
D4/122, 123, 124, 125, 127, 128, 129,
D4/130, 131, 132, 133, 134, 135, 136,
D4/137, 138, 199; 15/143.1; D32/35,
D32/40, 41, 42; 206/361; 16/DIG. 10,
16/19
CPC .. A46B 7/04; A46B 9/02; A46B 17/00; B08B
1/002
See application file for complete search history.

(56) **References Cited**

U.S. PATENT DOCUMENTS

1,694,636 A 12/1928 Barker
2,140,706 A * 12/1938 Latshaw A47J 43/28
241/169.2
D118,714 S * 1/1940 Rude 30/321
2,372,954 A * 4/1945 Jester A47J 45/08
220/776
3,058,139 A 10/1962 Dryden
3,332,103 A 7/1967 Case

D258,486 S * 3/1981 Wallace D7/395
4,328,604 A 5/1982 Adams
4,520,526 A 6/1985 Peters
D296,271 S 6/1988 Kobayashi
4,829,621 A 5/1989 Phenegar
5,158,532 A 10/1992 Peng
5,315,732 A 5/1994 Huefner
5,491,863 A 2/1996 Dunn

(Continued)

FOREIGN PATENT DOCUMENTS

DE 1986144 5/1968
DE 1995617 10/1968

(Continued)

Primary Examiner — Karen E Eldridge Powers

(74) *Attorney, Agent, or Firm* — Cantor Colburn LLP

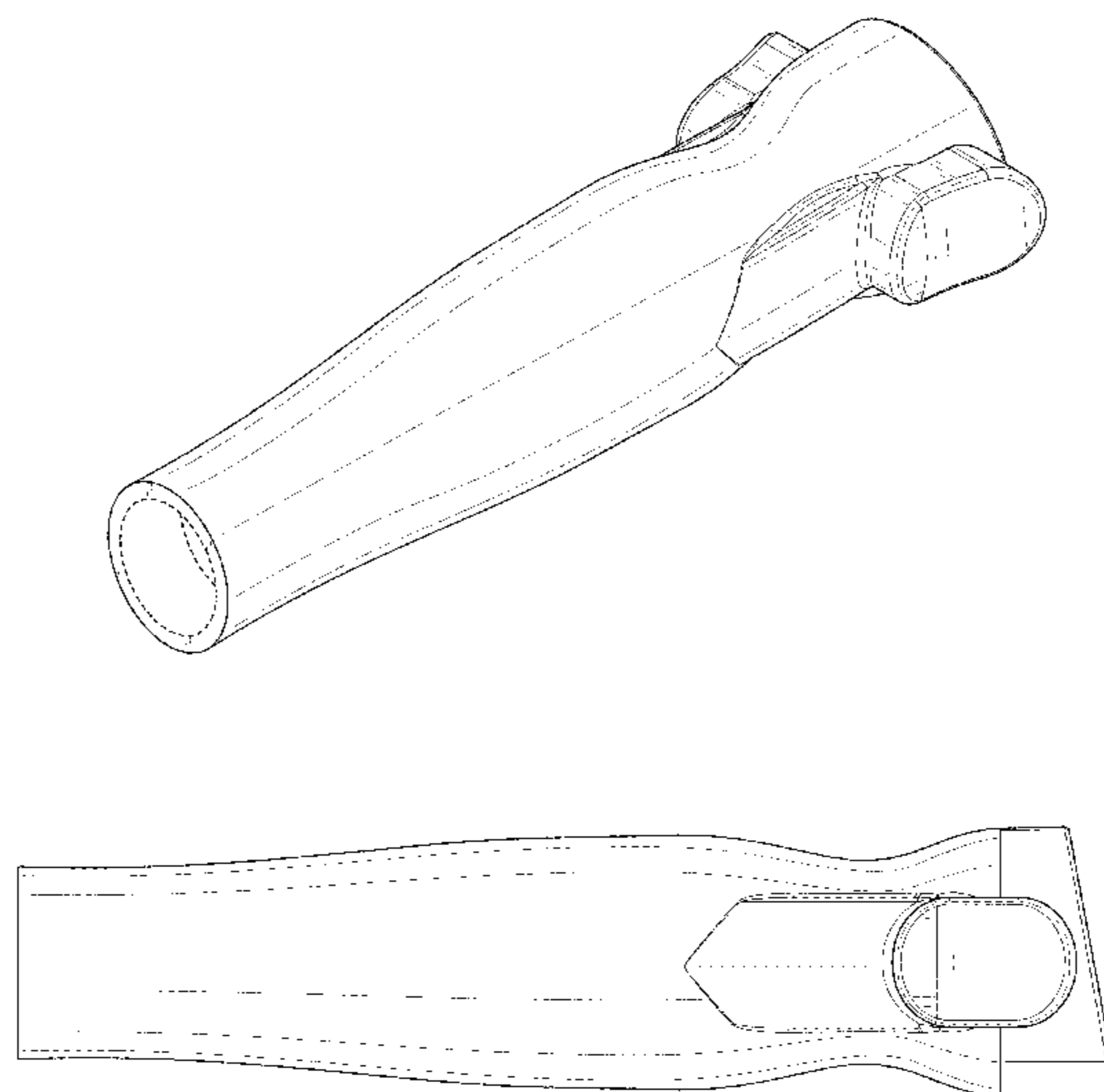
(57) **CLAIM**

The ornamental design for a detail brush handle, as shown and described.

DESCRIPTION

FIG. 1 is a first, bottom perspective view of a detail brush handle according to the present disclosure;
FIG. 2 is a second, bottom perspective view of the detail brush handle of FIG. 1;
FIG. 3 is a first, top perspective view of the detail brush handle of FIG. 1;
FIG. 4 is a second, top perspective view of the detail brush handle of FIG. 1;
FIG. 5 is a bottom plan view of the detail brush handle of FIG. 1;
FIG. 6 is a top plan view of the detail brush handle of FIG. 1;
FIG. 7 is a front elevation view of the detail brush handle of FIG. 1; and,
FIG. 8 is a side elevation view of the detail brush handle of FIG. 1, the opposite side view being a mirror image thereto.

1 Claim, 7 Drawing Sheets



(56)

References Cited

U.S. PATENT DOCUMENTS

5,709,003 A 1/1998 Batch
 5,878,459 A 3/1999 McParland
 5,967,152 A 10/1999 Rimkus
 6,015,293 A 1/2000 Rimkus
 6,132,126 A 10/2000 Sheffler
 6,134,738 A * 10/2000 Weber A46B 5/0062
 15/144.1
 6,154,913 A 12/2000 Burton
 6,192,525 B1 2/2001 Tash
 6,237,182 B1 5/2001 Cassar
 6,530,707 B1 3/2003 Byrne
 6,546,588 B1 4/2003 Black
 6,948,209 B2 9/2005 Chan
 7,017,222 B2 3/2006 Dunn
 7,213,292 B1 5/2007 Tucker
 7,334,286 B2 2/2008 Kayser
 7,344,327 B2 3/2008 Gueret
 7,356,869 B2 4/2008 Knopow
 7,784,141 B2 8/2010 Knopow
 8,046,865 B2 11/2011 Knopow
 8,123,712 B2 2/2012 Julius

8,136,196 B2 3/2012 Dingert
 D663,530 S 7/2012 Duwa
 D683,544 S 6/2013 Duwa
 9,066,583 B2 6/2015 Kayser
 9,167,882 B2 10/2015 Stefanson
 9,339,104 B2 5/2016 O'Neill
 2001/0047556 A1 12/2001 Weihrauch
 2004/0143923 A1 7/2004 Bensussan
 2005/0158116 A1* 7/2005 Belansky A46B 11/001
 401/270
 2006/0070198 A1 4/2006 DeRoma
 2008/0028555 A1 2/2008 Petner
 2010/0115722 A1 5/2010 Malloy
 2012/0183344 A1 7/2012 Habinger
 2014/0099154 A1 4/2014 'Neill
 2014/0137352 A1 5/2014 Golla
 2016/0029859 A1 2/2016 Harrington
 2018/0206693 A1* 7/2018 Harrington A47L 13/16

FOREIGN PATENT DOCUMENTS

DE 4435888 4/1996
 DE 202013005066 8/2013

* cited by examiner

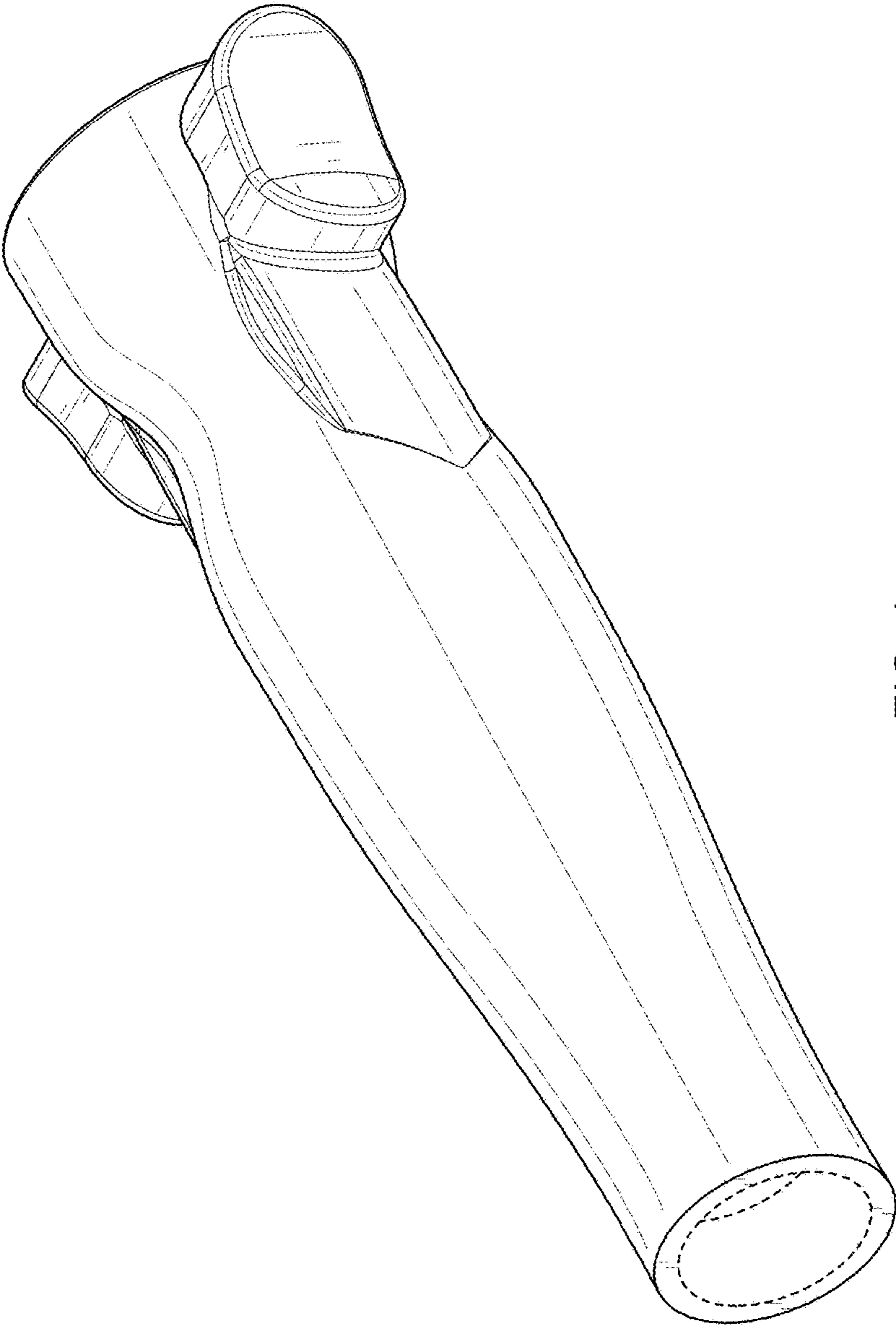


FIG. 1

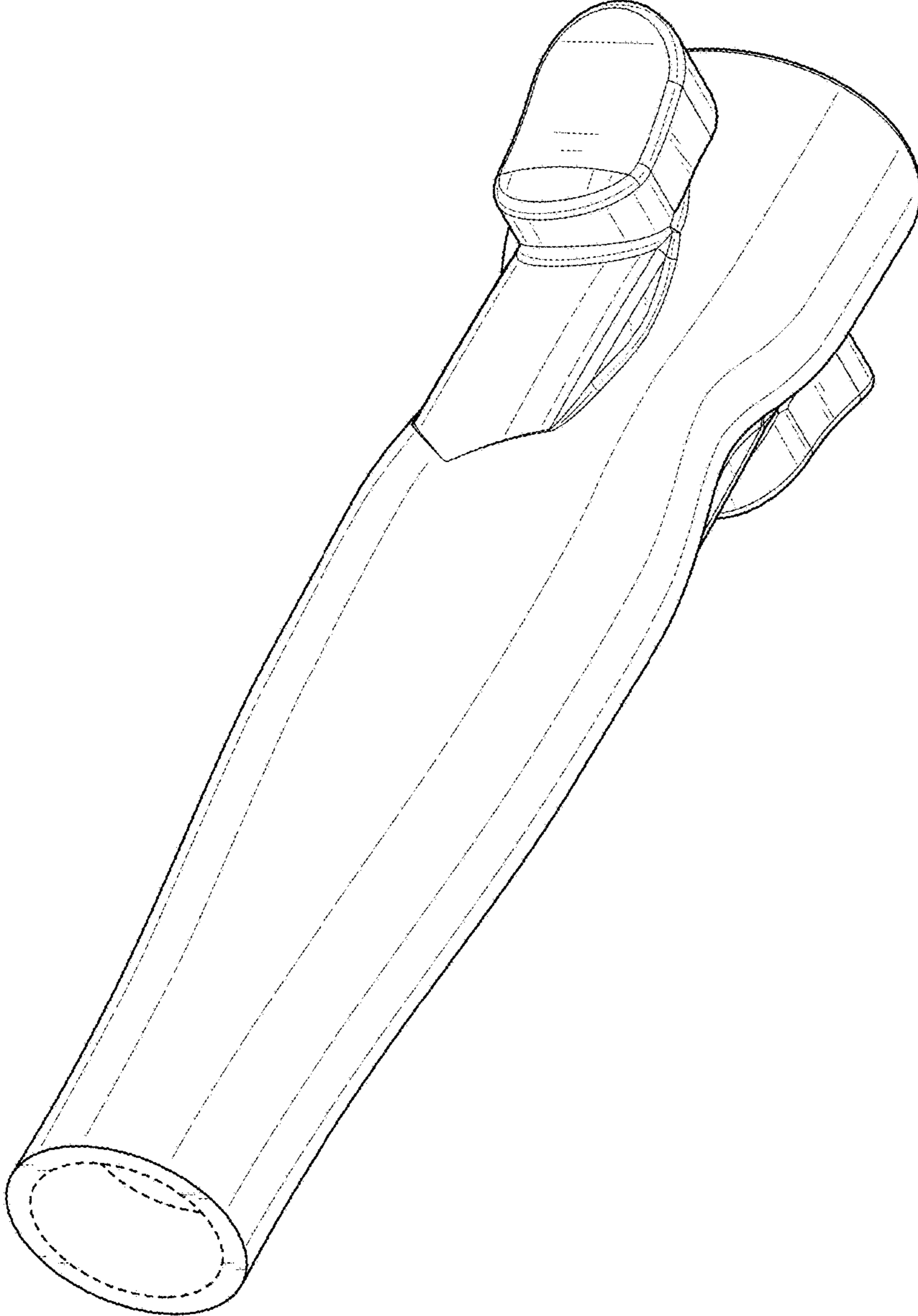


FIG. 2

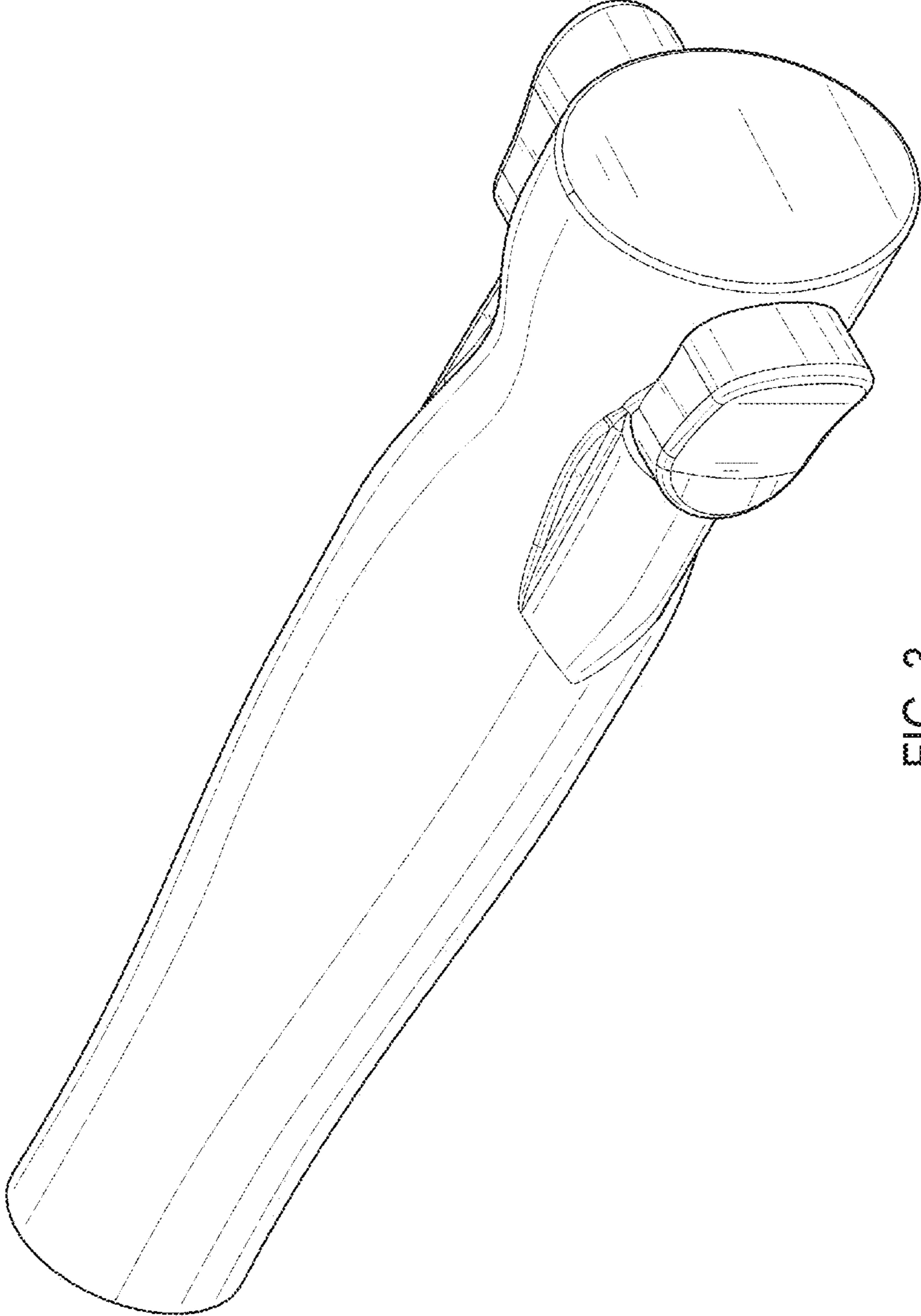


FIG. 3

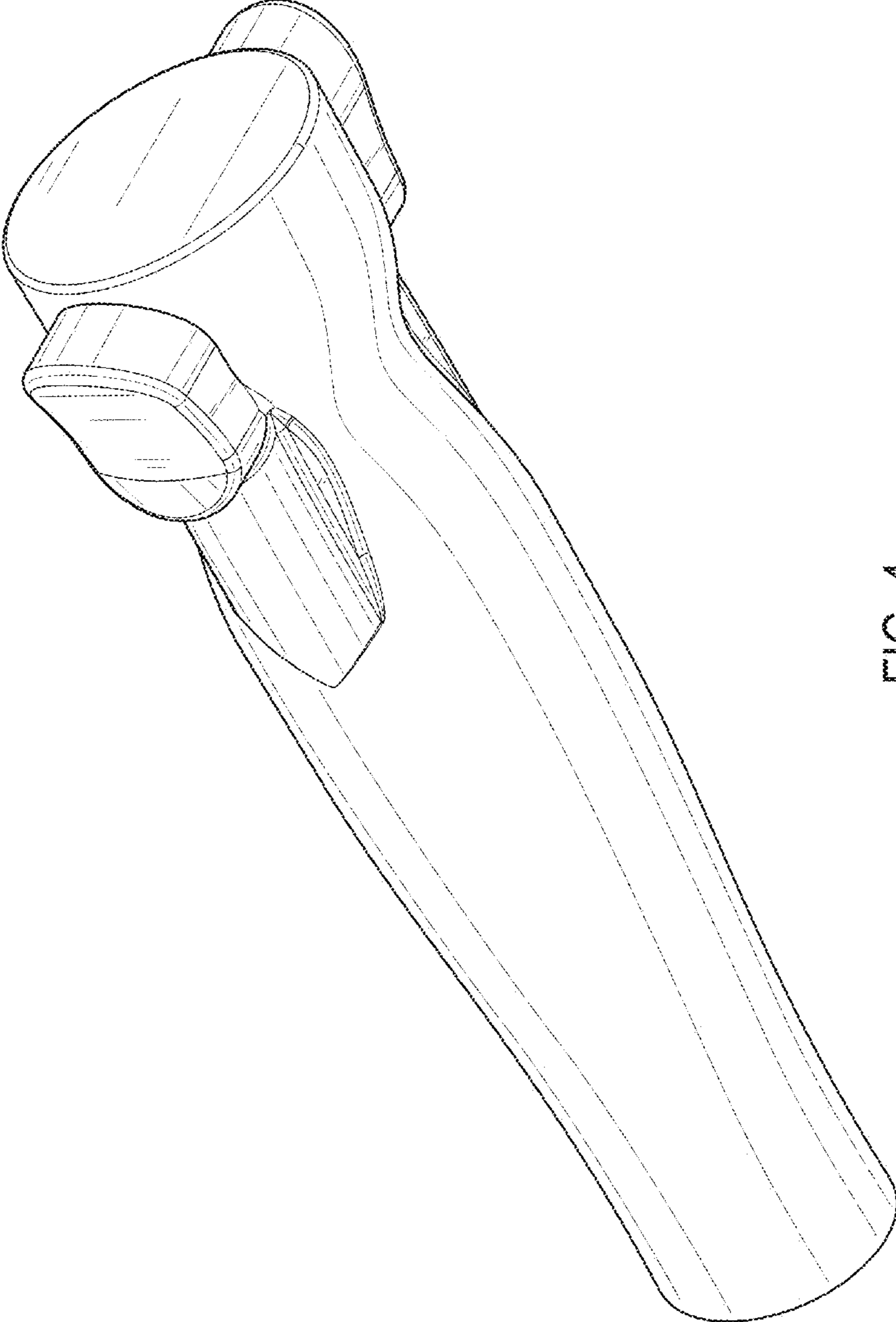


FIG. 4

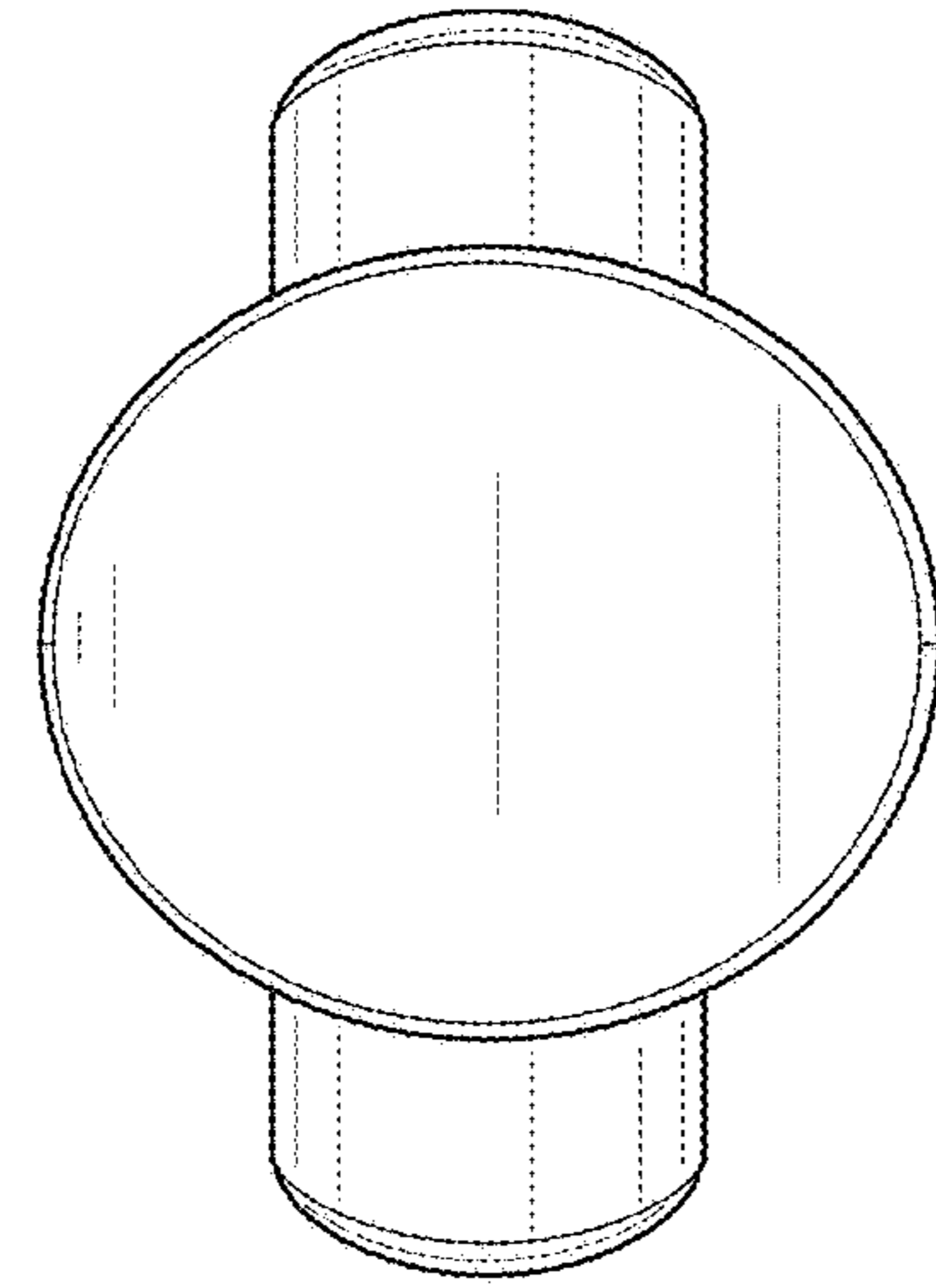


FIG. 6

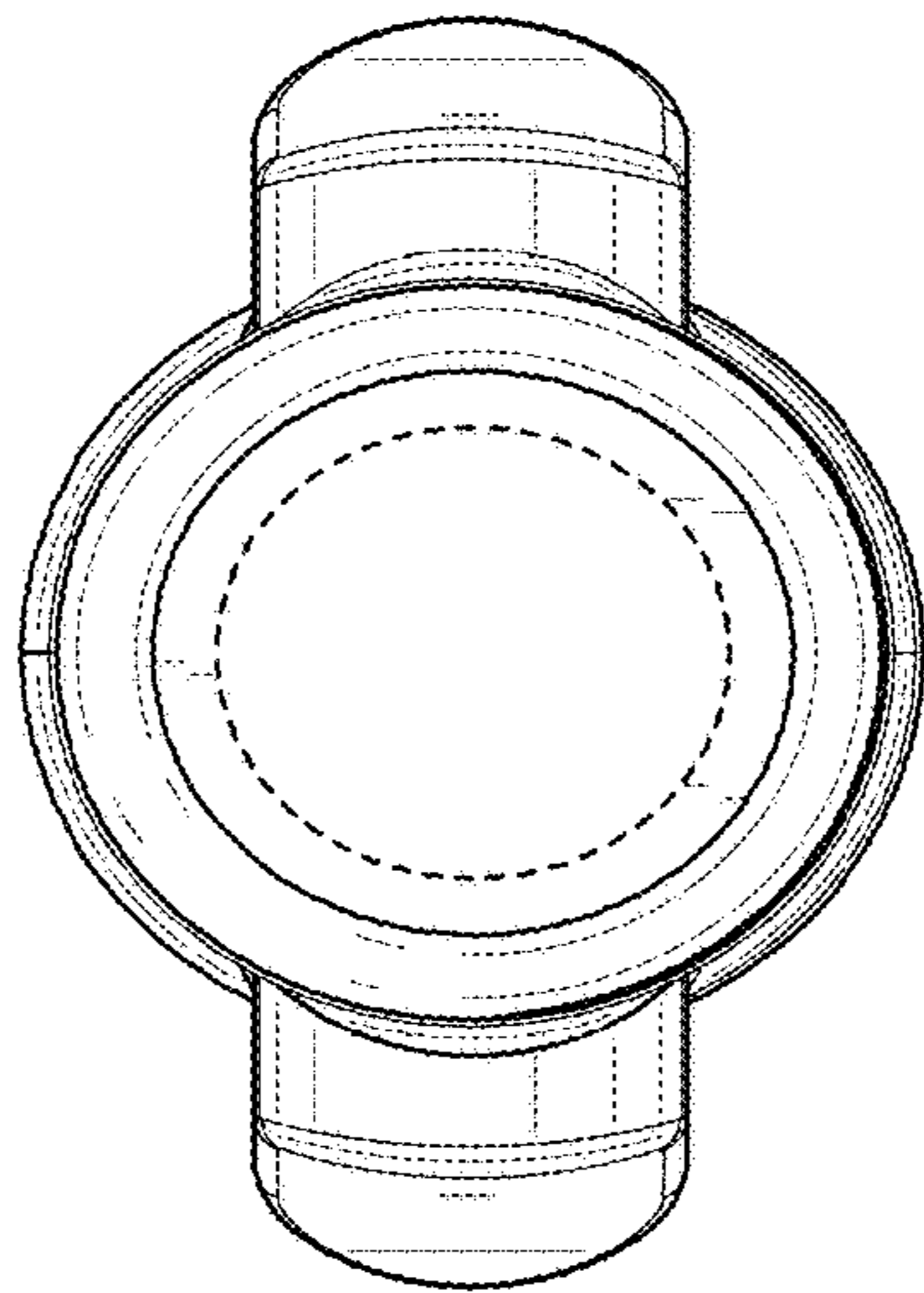


FIG. 5

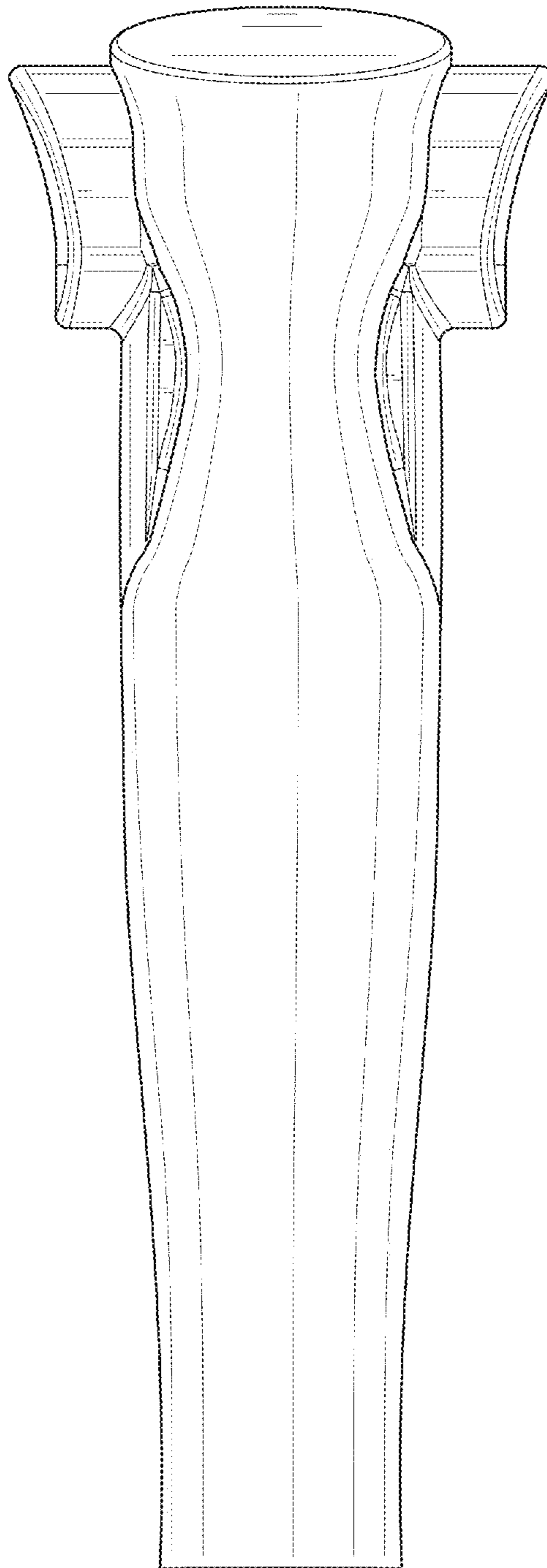


FIG. 7

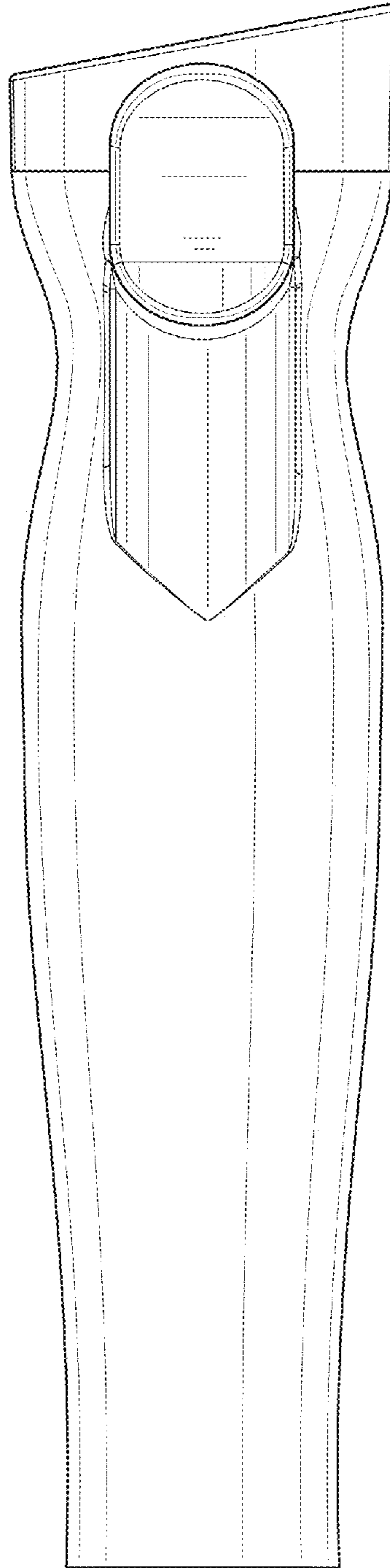


FIG. 8