



US00D851408S

(12) **United States Design Patent**
Harrington

(10) **Patent No.:** **US D851,408 S**
(45) **Date of Patent:** **** Jun. 18, 2019**

- (54) **CARTRIDGE BRUSH**
- (71) Applicant: **Unger Marketing International, LLC**,
Bridgeport, CT (US)
- (72) Inventor: **William Harrington**, Charlestown, RI
(US)
- (73) Assignee: **UNGER MARKETING
INTERNATIONAL, LLC**, Bridgeport,
CT (US)
- (**) Term: **15 Years**
- (21) Appl. No.: **29/634,782**
- (22) Filed: **Jan. 24, 2018**
- (51) **LOC (11) Cl.** **04-01**
- (52) **U.S. Cl.**
USPC **D4/136**
- (58) **Field of Classification Search**
USPC D4/114, 115, 116, 117, 118, 121, 122,
D4/123, 124, 125, 127, 128, 129, 130,
D4/131, 132, 133, 134, 135, 136, 137,
D4/138, 199; 15/143.1; D30/158, 159,
D30/160
CPC . A46B 2200/02; A46B 2200/202; A46B 1/00;
A46B 3/005; A46B 3/05; A46B 3/00;
A46B 9/02; A46B 2200/3033
See application file for complete search history.

- 4,829,621 A 5/1989 Phenegar
- 5,158,532 A 10/1992 Peng
- 5,315,732 A 5/1994 Huefner
- 5,491,863 A 2/1996 Dunn
- 5,598,596 A 2/1997 Jones
- 5,709,003 A 1/1998 Batch
- (Continued)

FOREIGN PATENT DOCUMENTS

- DE 1986144 5/1968
- DE 1995617 10/1968
- (Continued)

Primary Examiner — Karen E Eldridge Powers
(74) *Attorney, Agent, or Firm* — Cantor Colburn LLP

(57) **CLAIM**

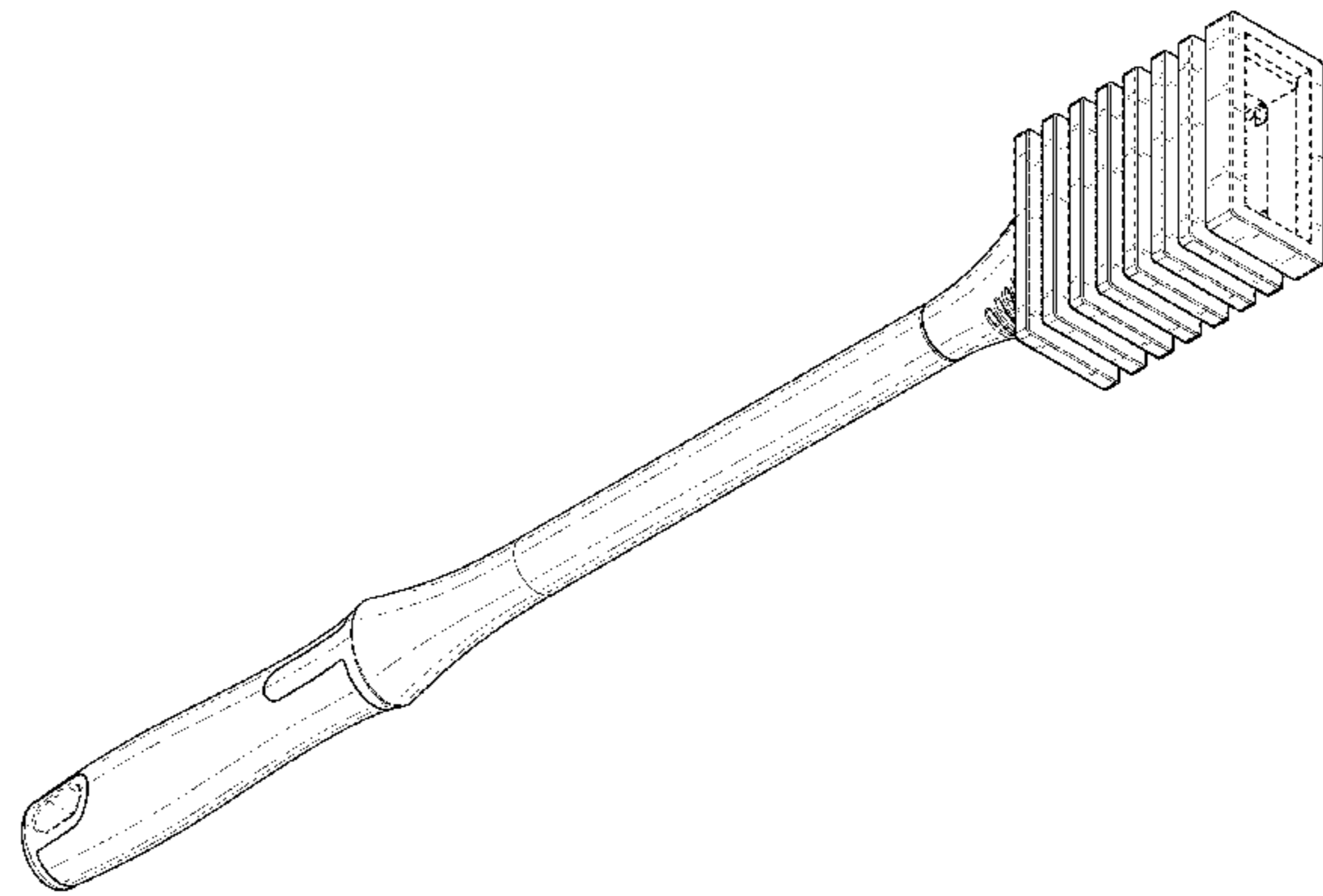
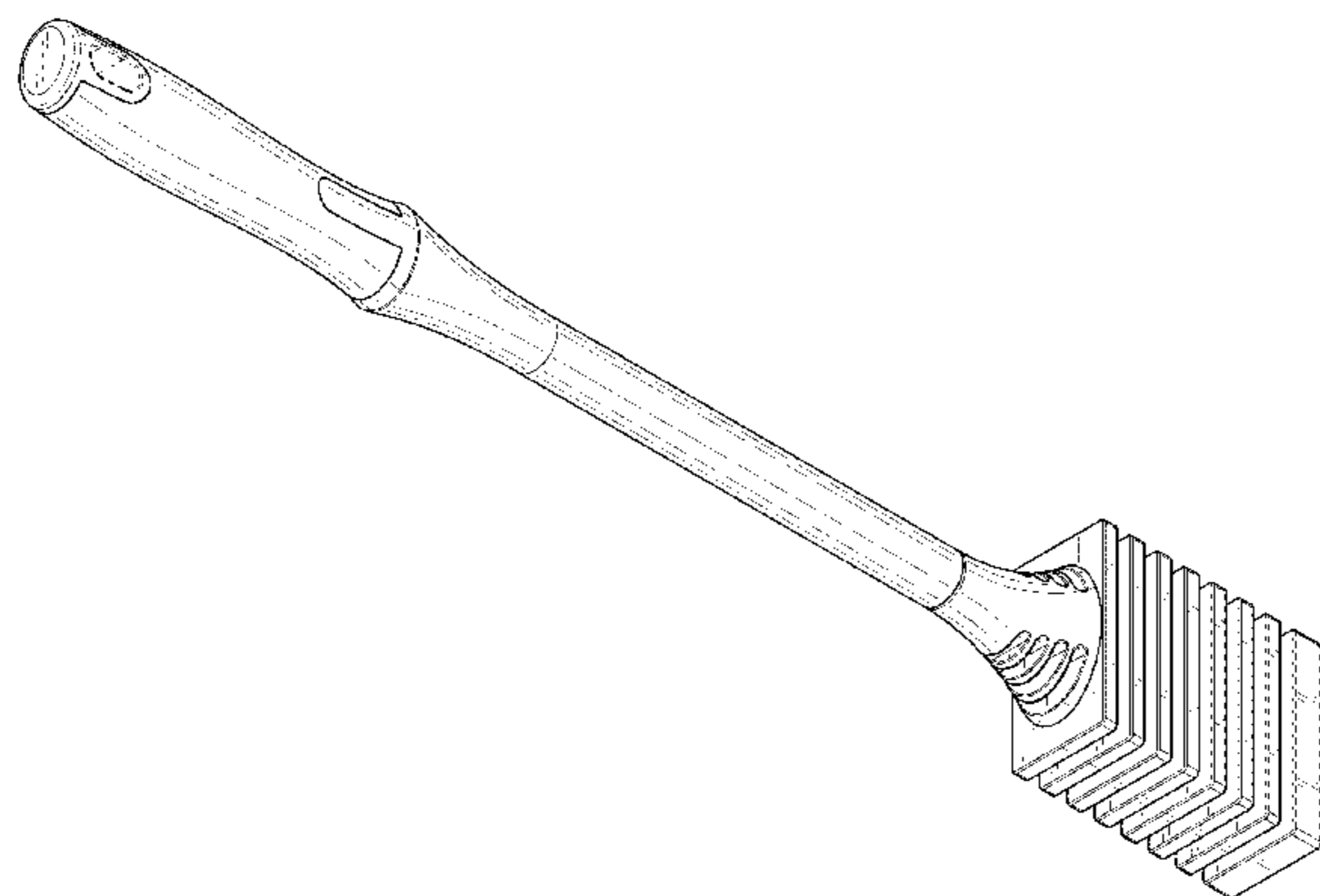
The ornamental design for a cartridge brush, as shown and described.

DESCRIPTION

FIG. 1 is a first, bottom perspective view of a cartridge brush according to the present disclosure;
 FIG. 2 is a second, bottom perspective view of the cartridge brush of FIG. 1;
 FIG. 3 is a first, top perspective view of the cartridge brush of FIG. 1;
 FIG. 4 is a second, top perspective view of the cartridge brush of FIG. 1;
 FIG. 5 is a bottom plan view of the cartridge brush of FIG. 1;
 FIG. 6 is a top plan view of the cartridge brush of FIG. 1;
 FIG. 7 is a first side elevation view of the cartridge brush of FIG. 1, the opposite side being identical thereto; and,
 FIG. 8 is a second side elevation view of the cartridge brush of FIG. 1, the opposite side being identical thereto.
 The broken lines shown in the drawings illustrate features of the article in which the design is embodied that form no part of the claim.

1 Claim, 8 Drawing Sheets

- (56) **References Cited**
U.S. PATENT DOCUMENTS
- 1,694,636 A 12/1928 Barker
- 2,707,300 A * 5/1955 Angelillo A46B 15/00
15/167.1
- 3,058,139 A 10/1962 Dryden
- 3,332,103 A 7/1967 Case
- 4,328,604 A 5/1982 Adams
- 4,520,526 A 6/1985 Peters
- D296,271 S 6/1988 Kobayashi



US D851,408 S

Page 2

(56)

References Cited

U.S. PATENT DOCUMENTS

5,878,459 A 3/1999 McParland
5,967,152 A 10/1999 Rimkus
6,015,293 A 1/2000 Rimkus
6,132,126 A 10/2000 Sheffler
6,134,738 A * 10/2000 Weber A46B 5/0062
15/144.1
6,154,913 A 12/2000 Burton
6,192,525 B1 2/2001 Tash
6,237,182 B1 5/2001 Cassar
6,530,707 B1 3/2003 Byrne
6,546,588 B1 4/2003 Black
6,948,209 B2 9/2005 Chan
7,017,222 B2 3/2006 Dunn
7,213,292 B1 5/2007 Tucker
7,334,286 B2 2/2008 Kayser
7,344,327 B2 3/2008 Gueret
7,356,869 B2 4/2008 Knopow
7,784,141 B2 8/2010 Knopow
8,046,865 B2 11/2011 Knopow
8,123,712 B2 2/2012 Julius
8,136,196 B2 3/2012 Dingert
D663,530 S 7/2012 Duwa
D683,544 S 6/2013 Duwa

8,763,193 B1 * 7/2014 Thompson A46B 15/0055
15/106
9,066,583 B2 6/2015 Kayser
9,167,882 B2 10/2015 Stefanson
9,339,104 B2 5/2016 O'Neill
D835,916 S * 12/2018 Macca D4/116
2001/0047556 A1 12/2001 Weihrauch
2004/0143923 A1 7/2004 Bensussan
2004/0177863 A1 9/2004 McKay
2006/0070198 A1 4/2006 DeRoma
2008/0028555 A1 2/2008 Petner
2010/0115722 A1 5/2010 Malloy
2011/0225756 A1 * 9/2011 Chapman A46B 5/00
15/159.1
2012/0183344 A1 7/2012 Habinger
2014/0099154 A1 4/2014 O'Neill
2014/0137352 A1 5/2014 Golla
2016/0029859 A1 2/2016 Harrington
2017/0119125 A1 * 5/2017 Davis A45D 24/14

FOREIGN PATENT DOCUMENTS

DE 4435888 4/1996
DE 202013005066 8/2013
WO 2013063568 5/2013

* cited by examiner

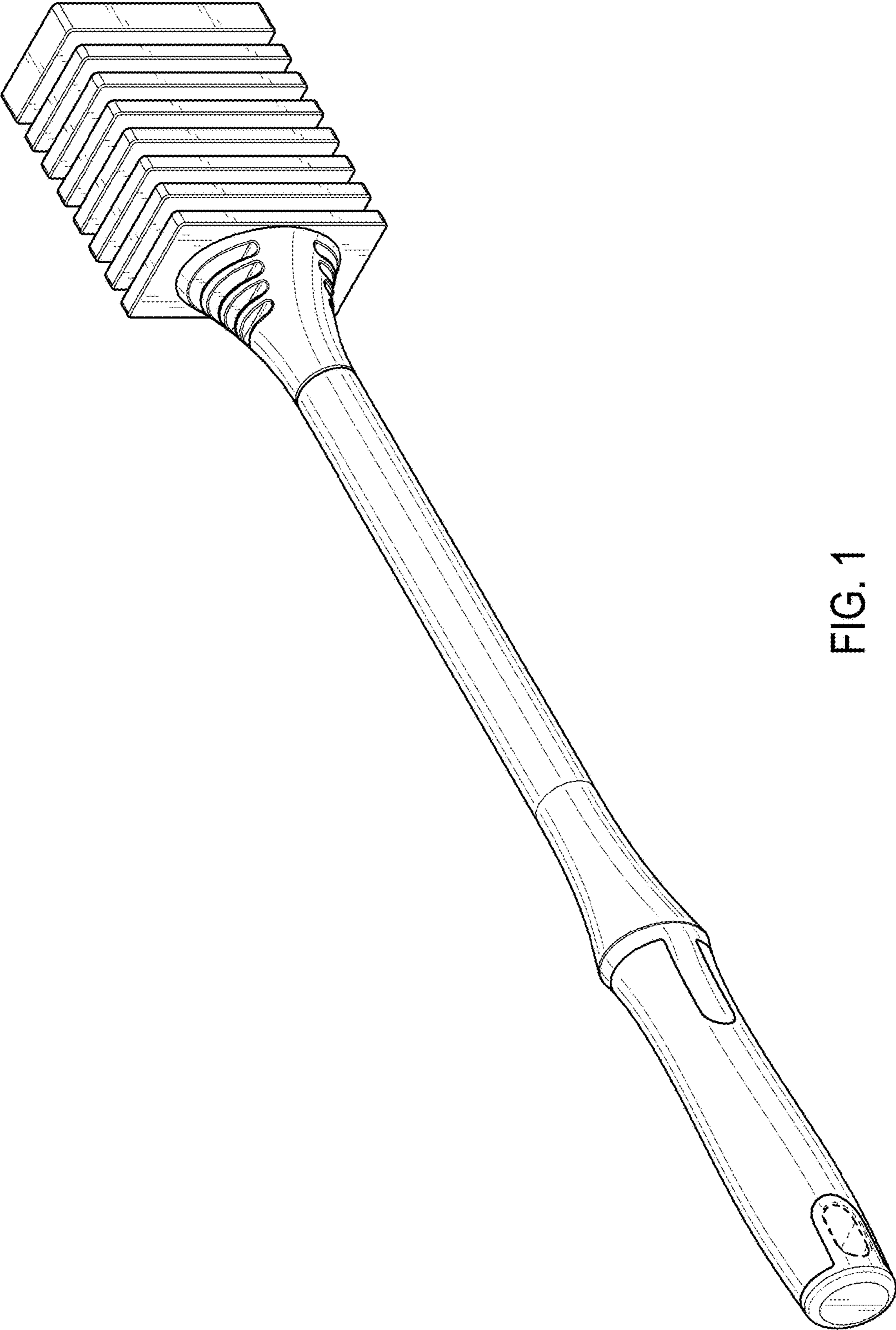


FIG. 1

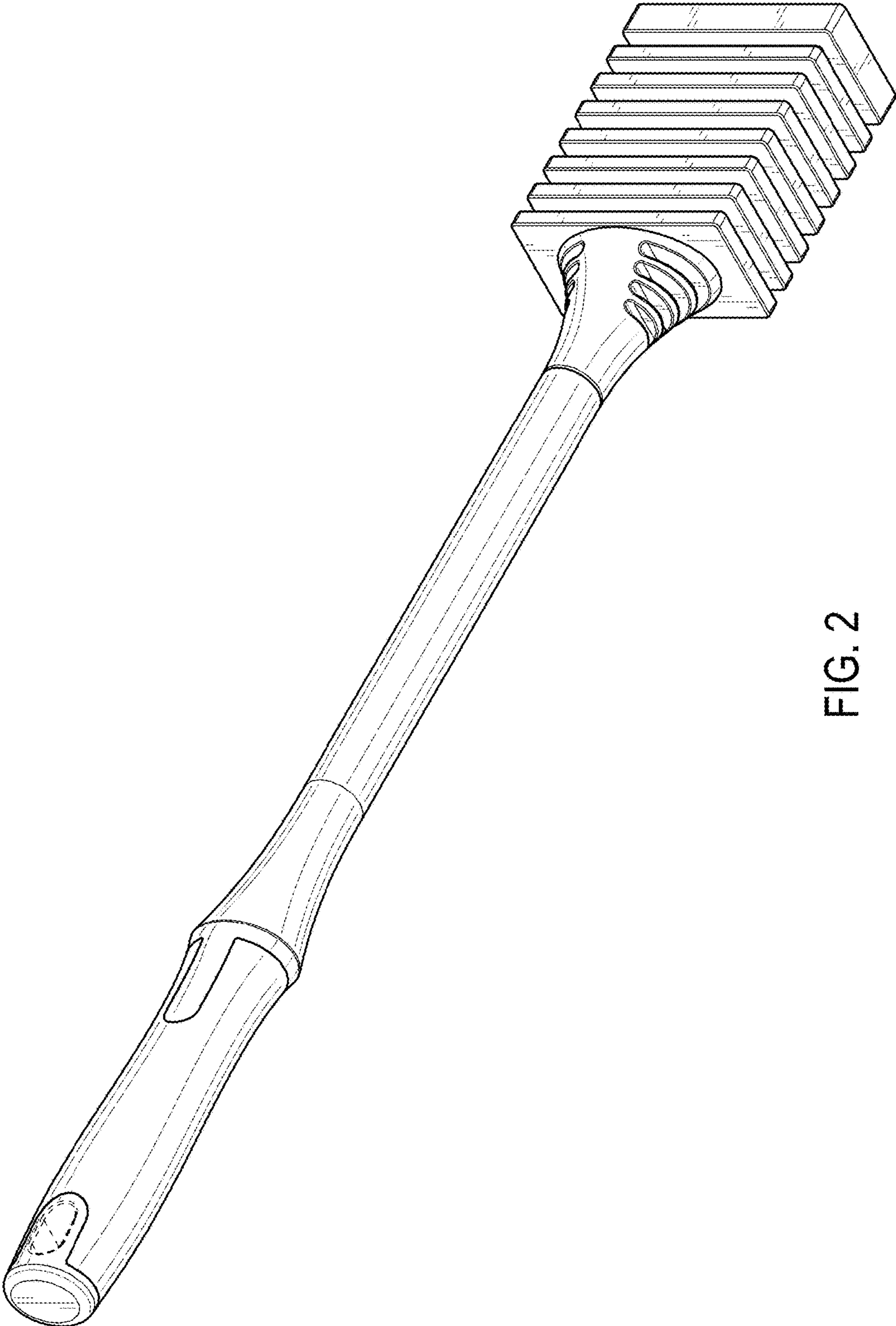


FIG. 2

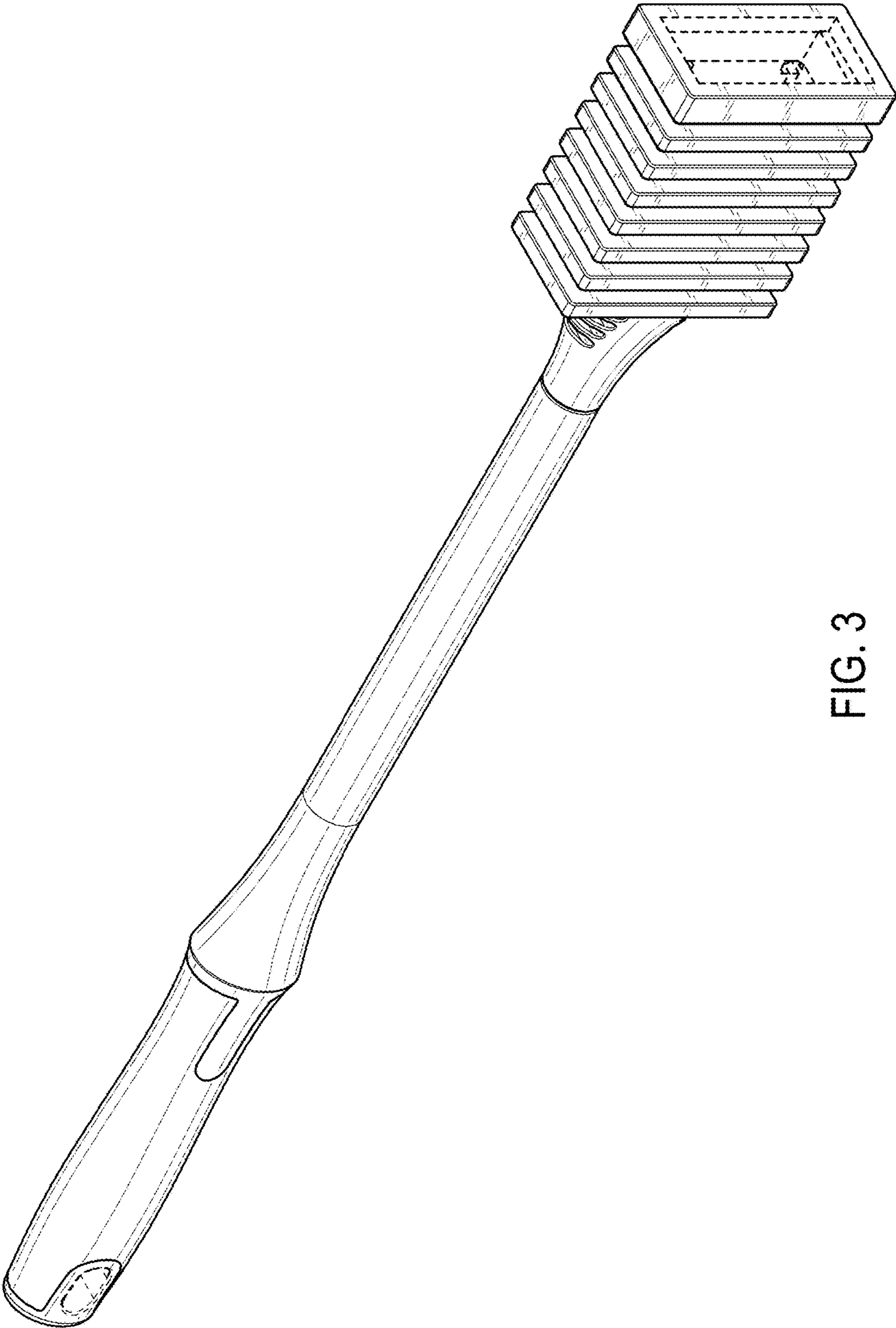


FIG. 3

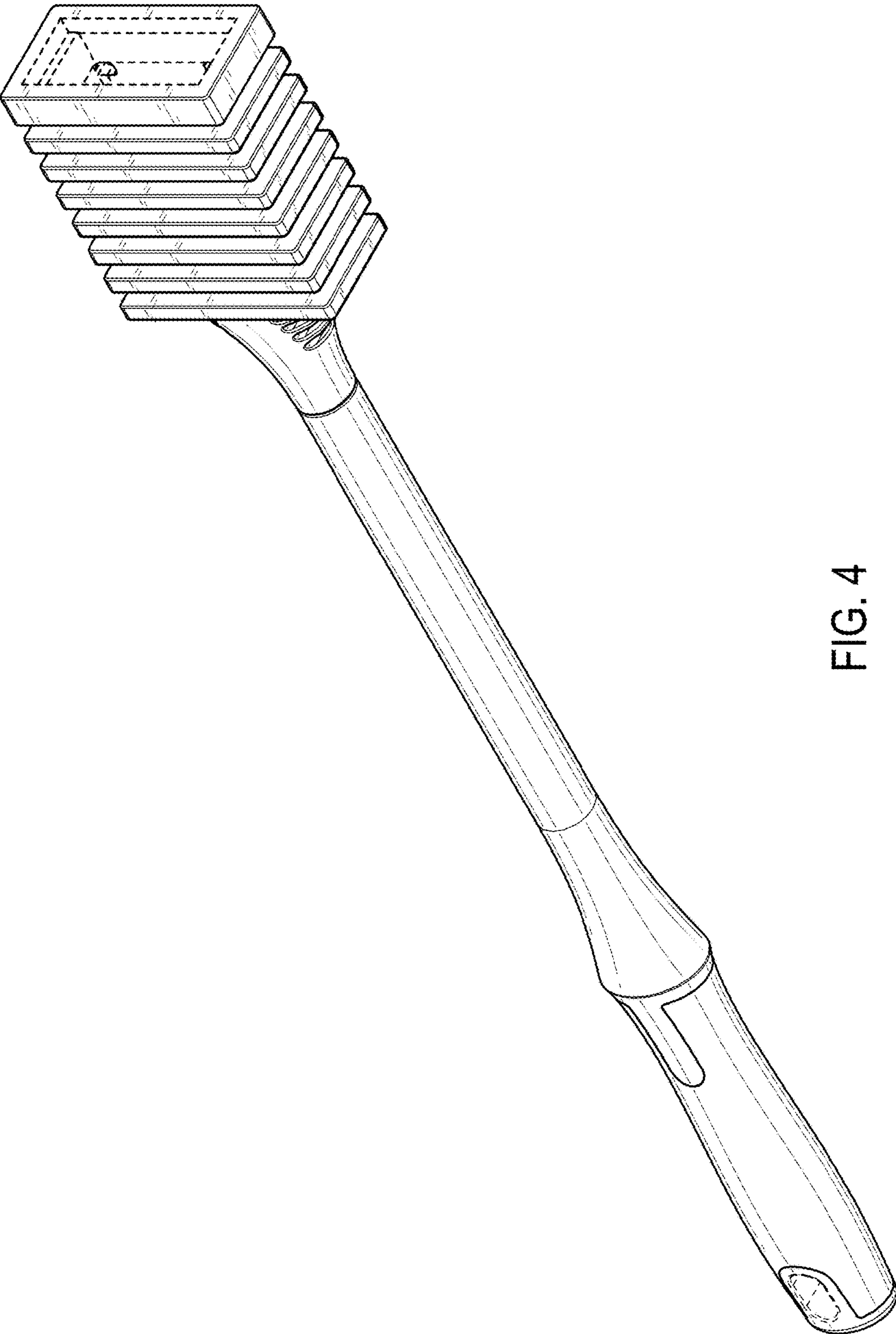


FIG. 4

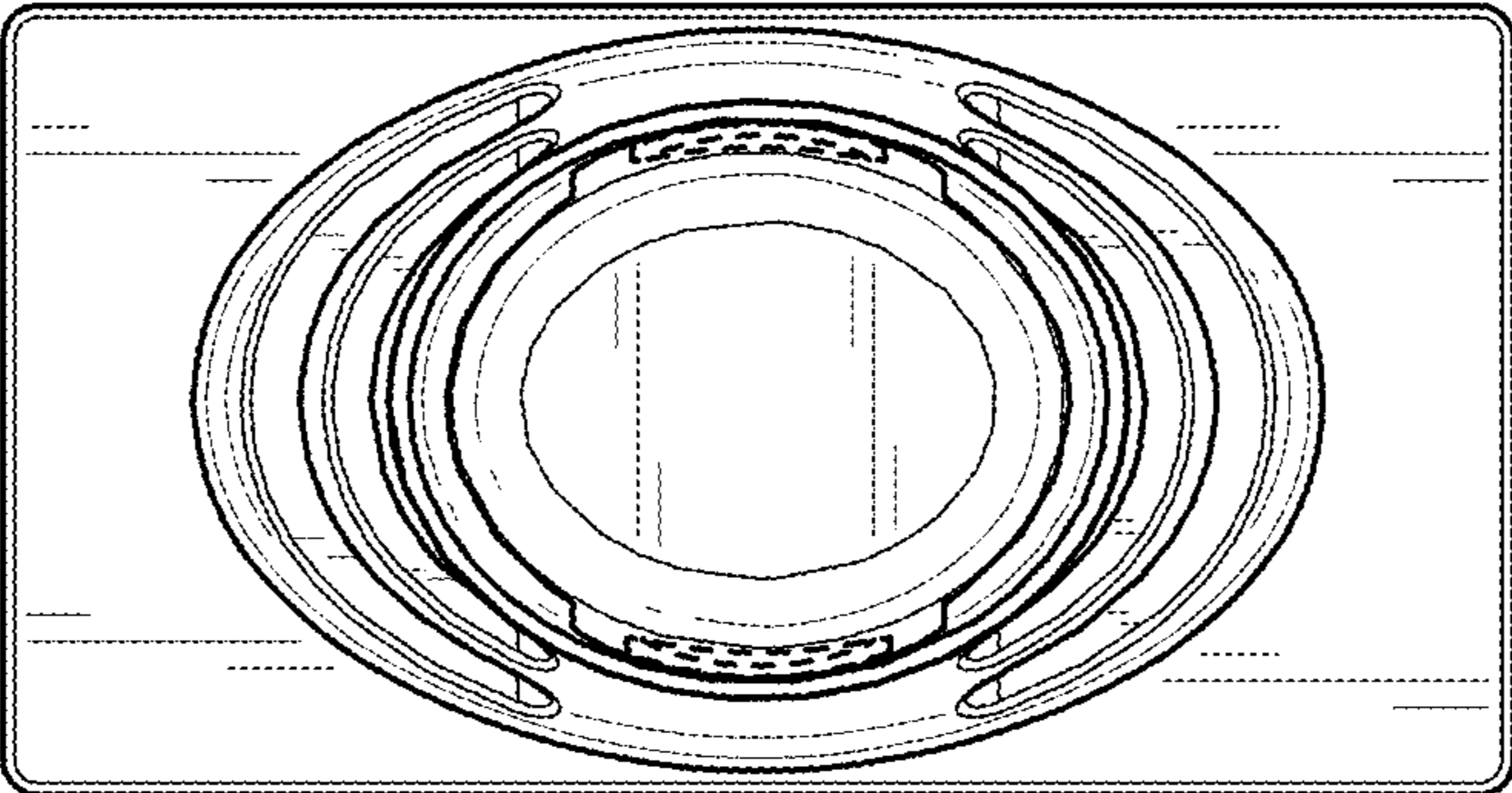


FIG. 5

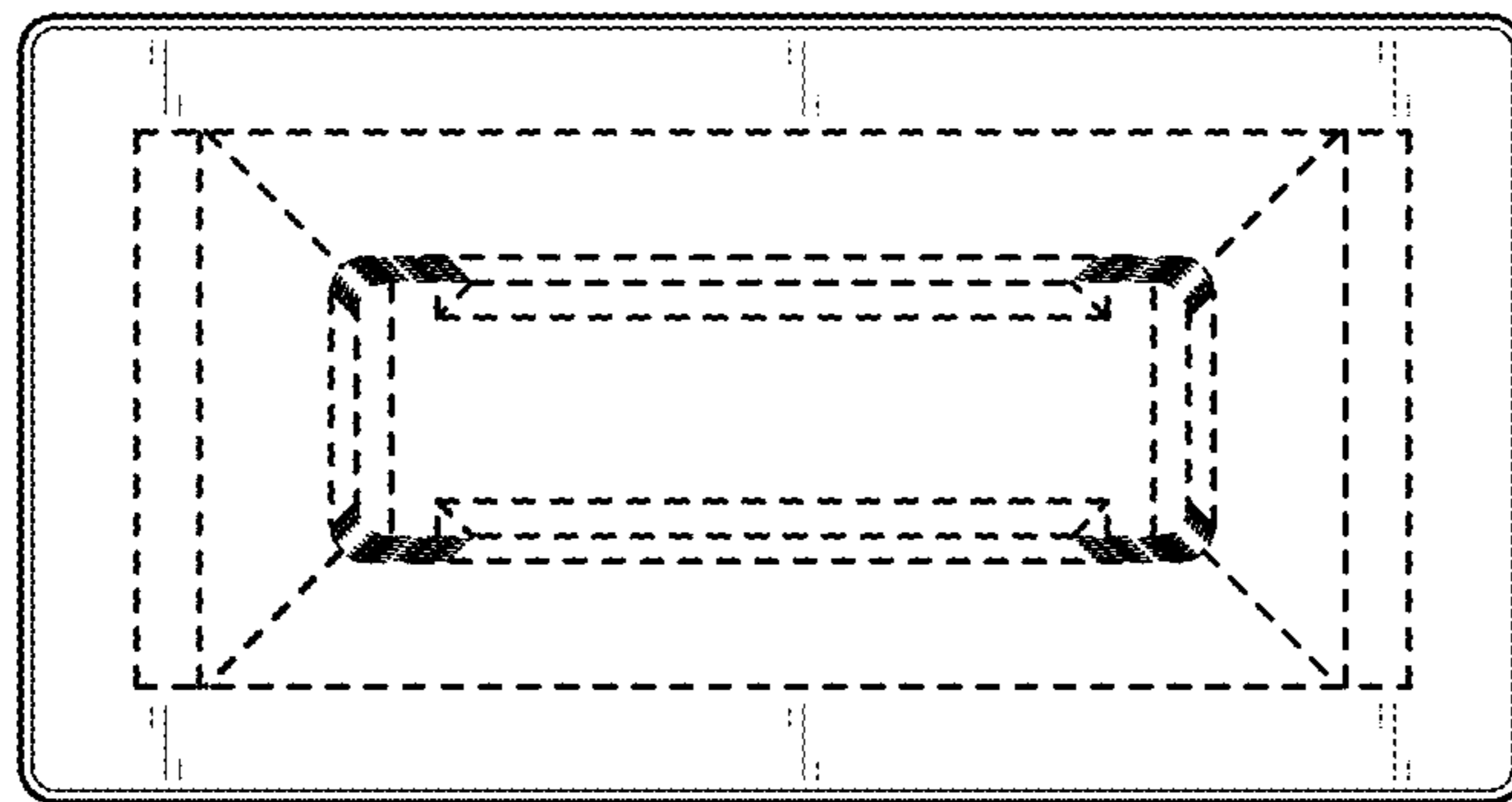


FIG. 6

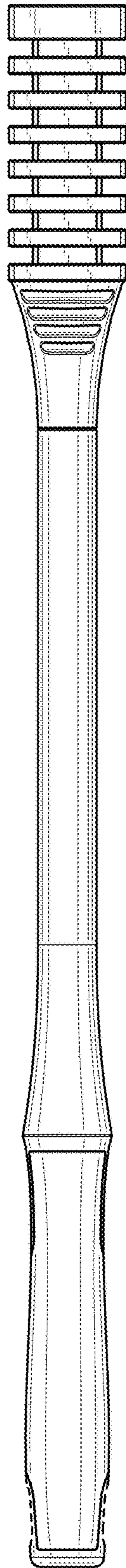


FIG. 7

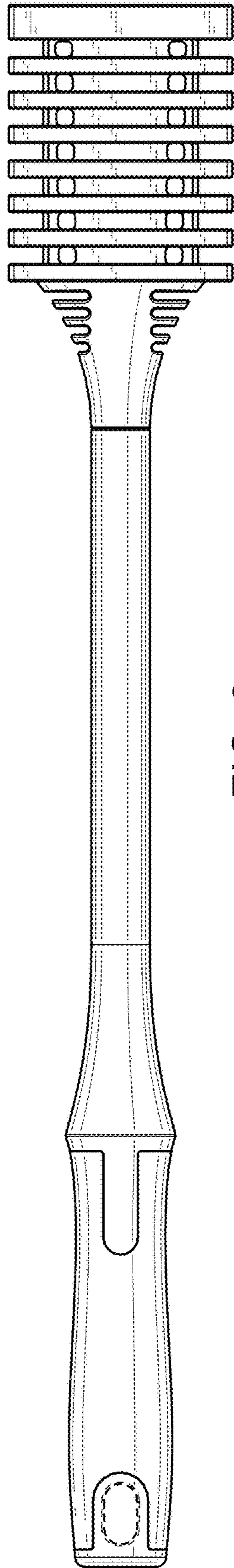


FIG. 8