



US00D851407S

(12) **United States Design Patent**
Brown et al.

(10) **Patent No.:** **US D851,407 S**
(45) **Date of Patent:** **** Jun. 18, 2019**

(54) **BODY BRUSH**

2200/1006; A46B 2200/1046; A46B
2200/1053; A46B 2200/3006; A46B
2200/3033; A46B 2200/3093

(71) Applicant: **KONINKLIJKE PHILIPS N.V.**,
Eindhoven (NL)

See application file for complete search history.

(72) Inventors: **Guy Anthony Brown**, Haarlem (NL);
Nicole Louisa De Klein, Amsterdam
(NL)

(56) **References Cited**

U.S. PATENT DOCUMENTS

(73) Assignee: **KONINKLIJKE PHILIPS N.V.**,
Eindhoven (NL)

D197,762 S * 3/1964 Lussier et al. D4/114
3,368,554 A * 2/1968 Hwa A45D 24/42
132/119
D381,139 S * 7/1997 Johnson D32/19
D463,851 S * 10/2002 Eastman D23/260

(**) Term: **15 Years**

(Continued)

(21) Appl. No.: **35/503,525**

Primary Examiner — Keli L Hill

(22) Filed: **Feb. 16, 2017**

(57) **CLAIM**

(80) **Hague Agreement Data**

Int. Filing Date: **Feb. 16, 2017**

Int. Reg. No.: **DM/094841**

Int. Reg. Date: **Feb. 16, 2017**

Int. Reg. Pub. Date: **Aug. 18, 2017**

The ornamental design for a body brush, as shown and described.

DESCRIPTION

(30) **Foreign Application Priority Data**

Sep. 13, 2016 (EM) 003376417-0001

Sep. 13, 2016 (EM) 003376417-0002

(51) **LOC (11) Cl.** **04-01**

(52) **U.S. Cl.**
USPC **D4/127**

(58) **Field of Classification Search**

USPC D4/116-118, 127, 128, 130, 132, 133;
D28/7

CPC A45D 24/14; A45D 24/16; A46B 3/005;
A46B 5/00; A46B 5/02; A46B 5/021;
A46B 9/02; A46B 9/021; A46B 9/023;
A46B 13/001; A46B 13/008; A46B
15/0055; A46B 15/0081; A46B 15/0087;
A46B 17/02; A46B 2200/30; A46B
2200/104; A46B 2200/106; A46B
2200/202; A46B 2200/205; A46B
2200/207; A46B 2200/304; A46B

1. Body brush

1.1 is a front perspective view of the body brush showing our new design,

1.2 is a front plan view thereof;

1.3 is a rear plan view thereof;

1.4 is a left plan view thereof;

1.5 is a right plan view thereof;

1.6 is a top plan view thereof; and

1.7 is a bottom plan view thereof.

2.1 is a front perspective view of the body brush showing our new design,

2.2 is a front plan view thereof;

2.3 is a rear plan view thereof;

2.4 is a left plan view thereof;

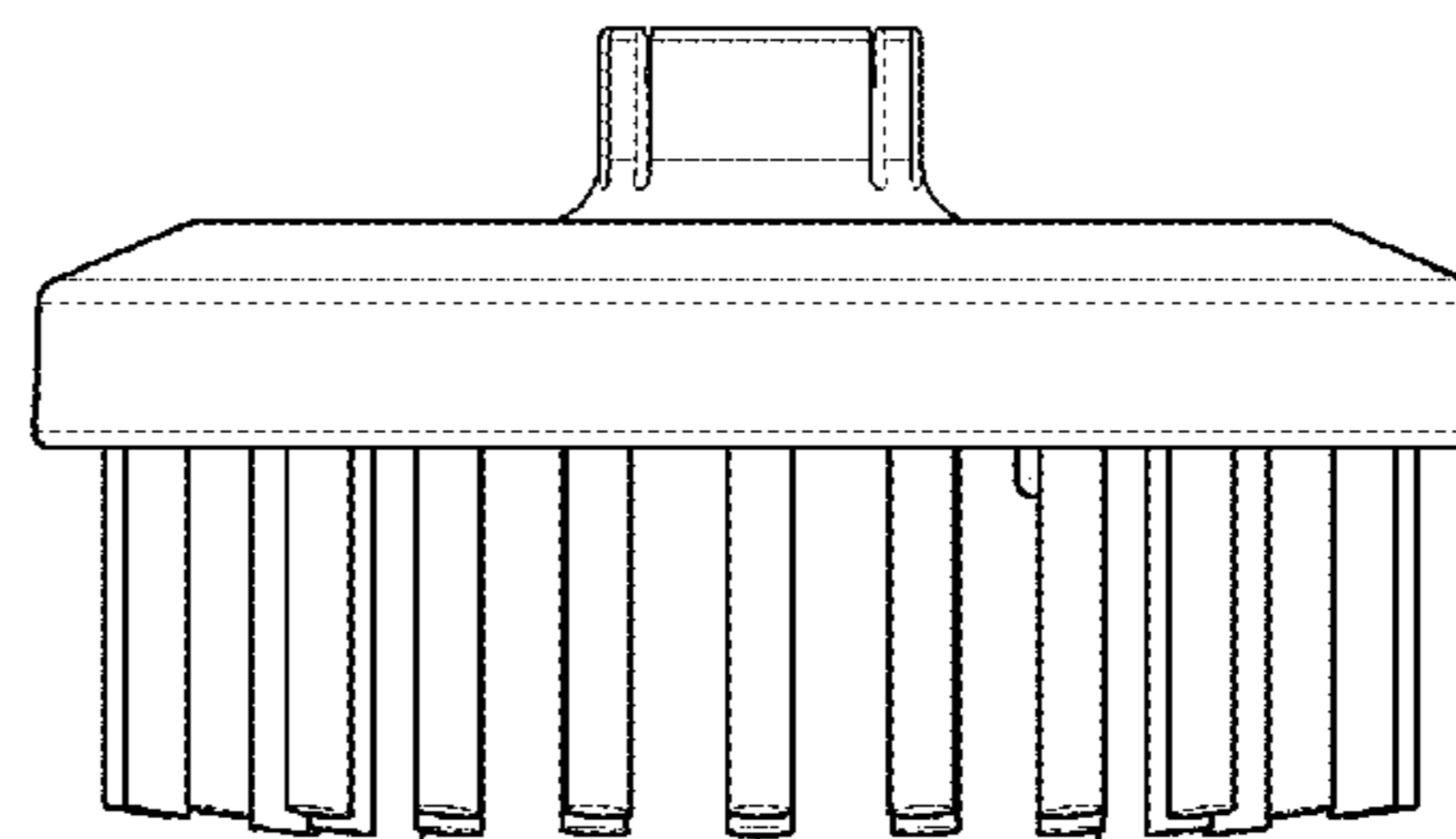
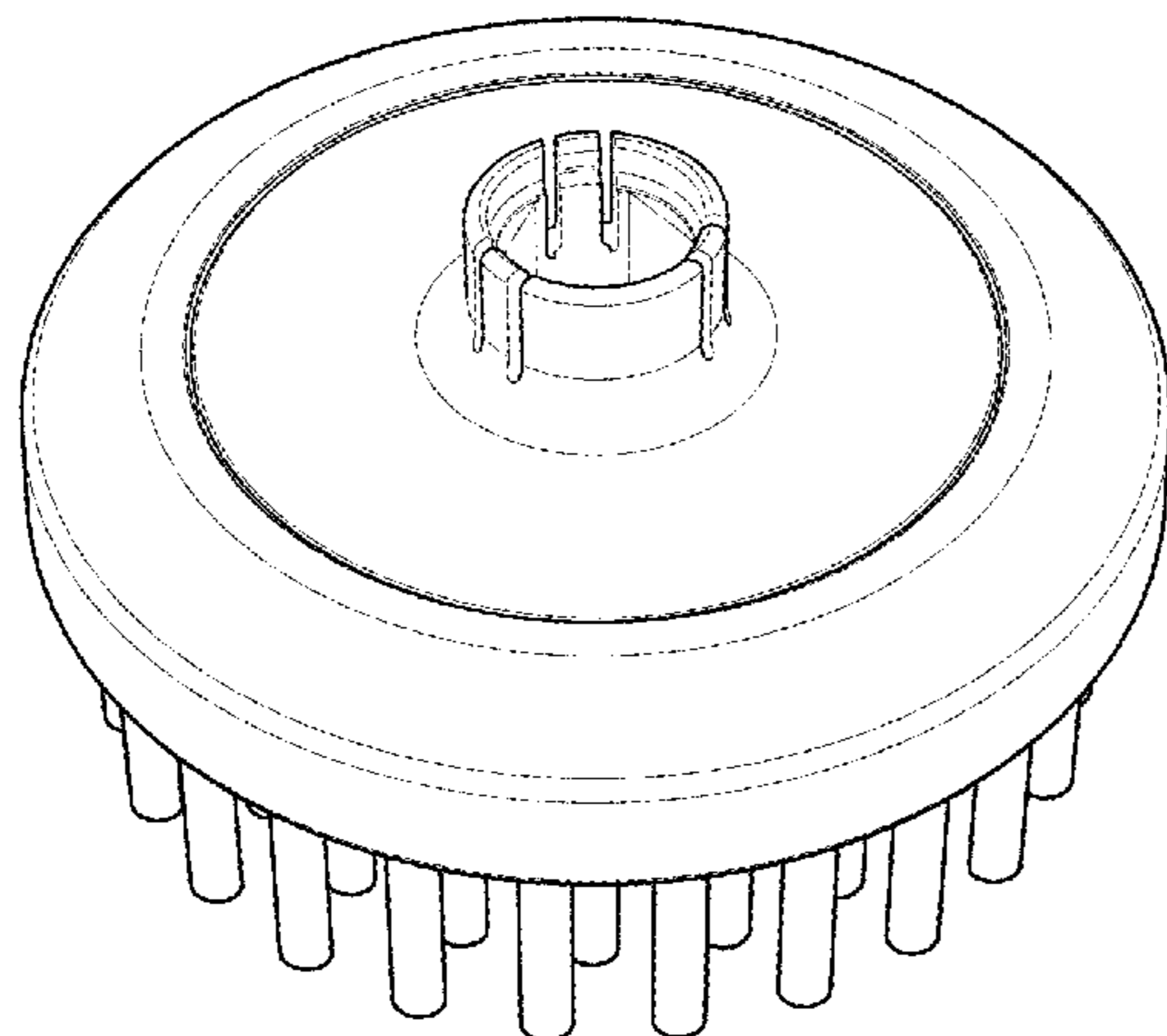
2.5 is a right plan view thereof;

2.6 is a top plan view thereof; and

2.7 is a bottom plan view thereof.

The portions of the body brush shown in broken lines are included for the purpose of illustrating unclaimed portions of the body brush and form no part of the claimed design.

1 Claim, 8 Drawing Sheets



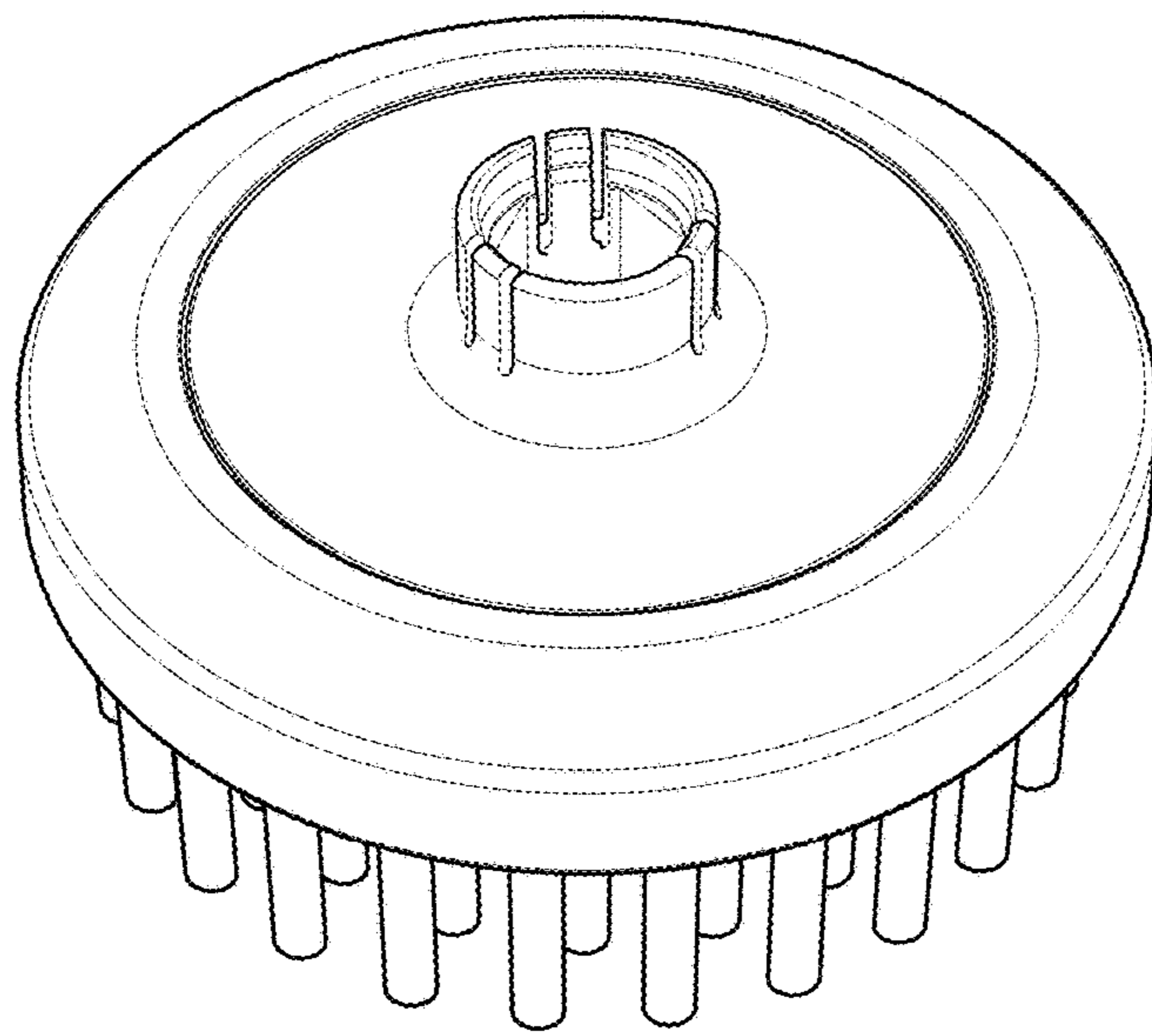
(56)

References Cited

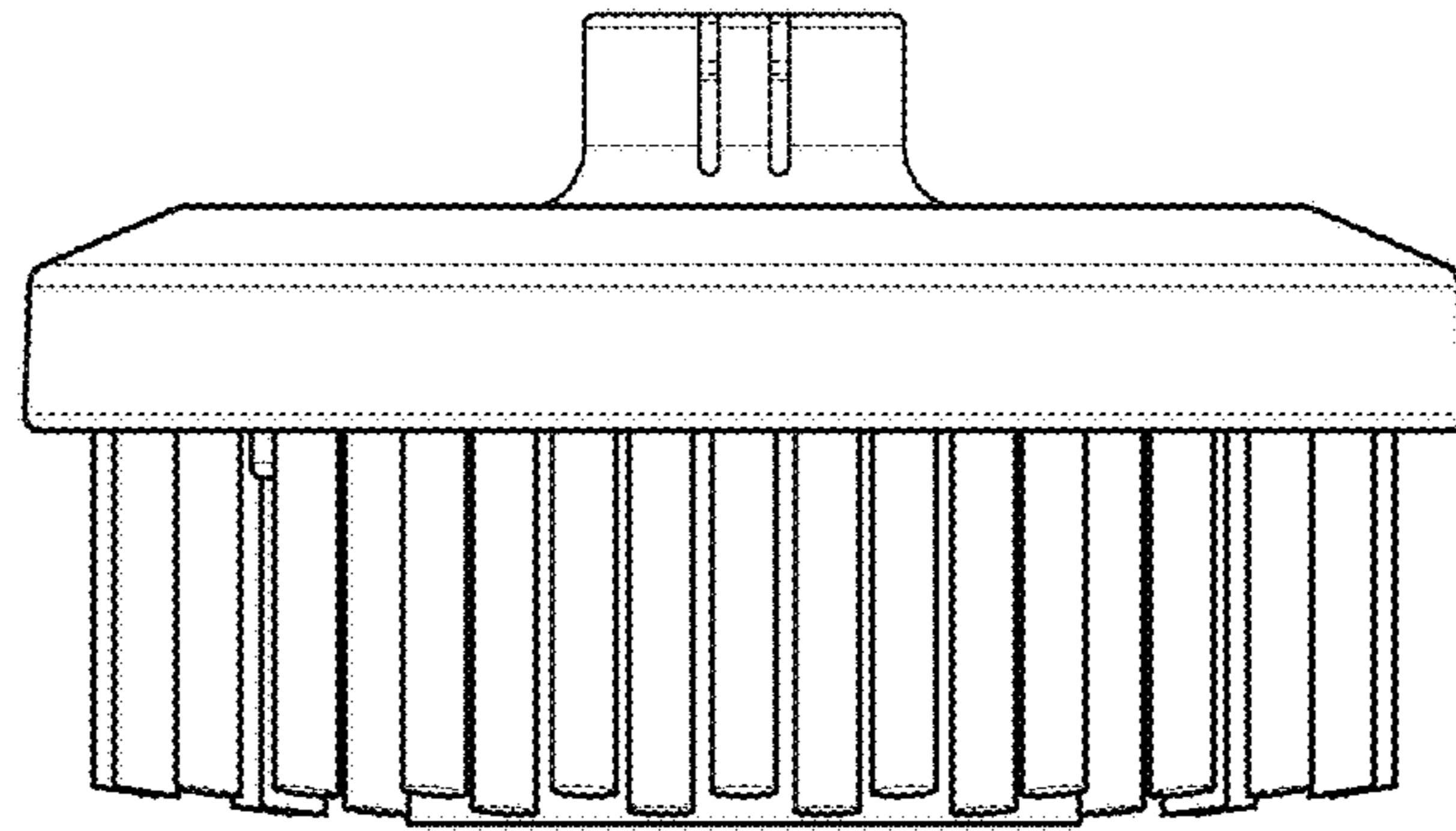
U.S. PATENT DOCUMENTS

D467,083	S	*	12/2002	Chen	D4/127
D514,328	S	*	2/2006	Huang	D24/211
D520,244	S	*	5/2006	Huller	D4/124
D521,738	S	*	5/2006	Huller	D4/124
D521,739	S	*	5/2006	Huller	D4/127
D636,933	S	*	4/2011	Newman	D28/7
D699,037	S	*	2/2014	Morrison	D4/127
D746,062	S	*	12/2015	Pan	D4/127
D764,806	S	*	8/2016	Prat-Pfister	D4/127
D784,026	S	*	4/2017	Shen	D4/128
D795,593	S	*	8/2017	Huang	D4/127
D797,461	S	*	9/2017	Dandridge	D4/127
D810,447	S	*	2/2018	Dandridge	D4/127
D811,749	S	*	3/2018	Cohen	D4/128

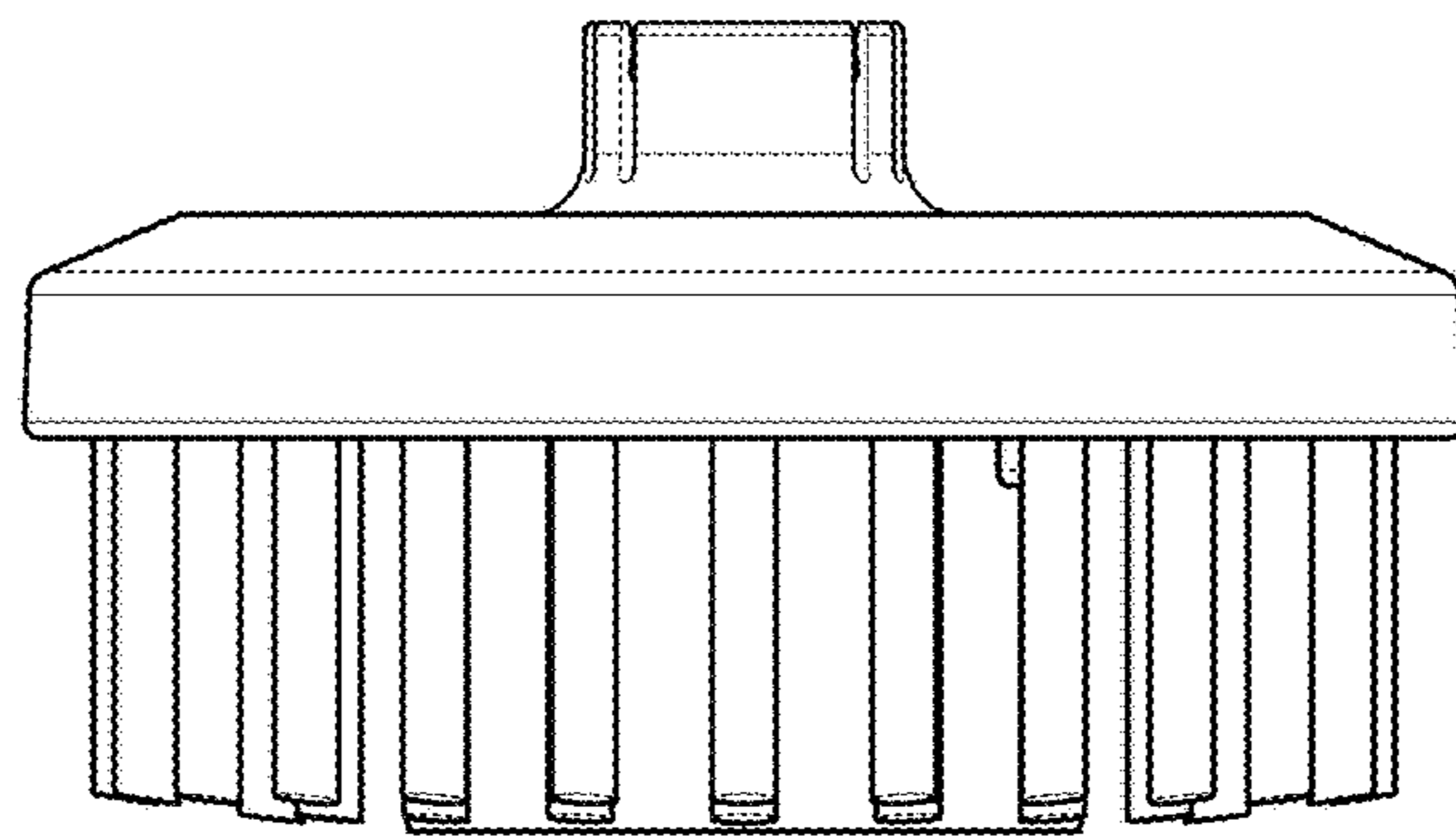
* cited by examiner



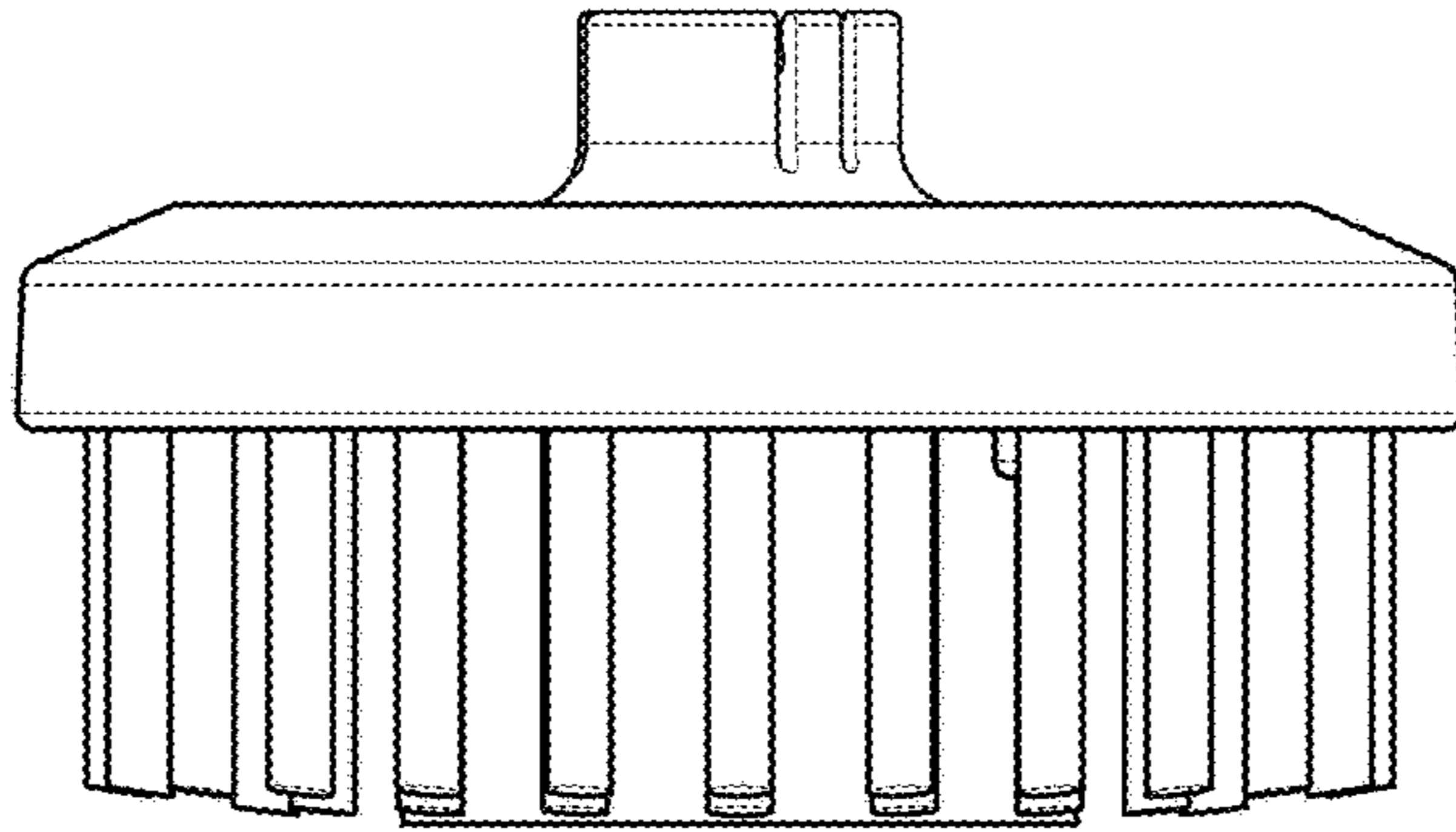
1.1



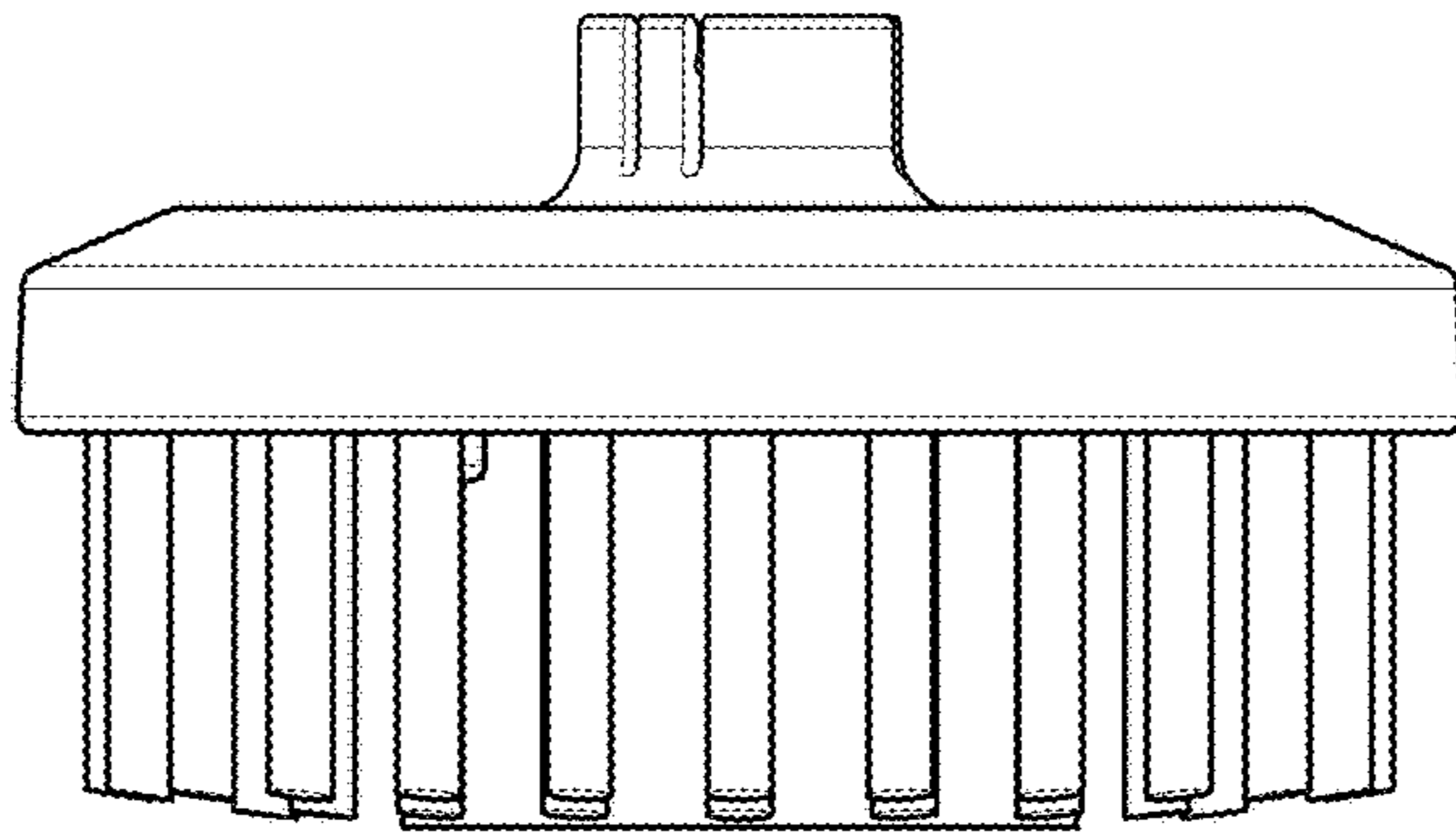
1.2



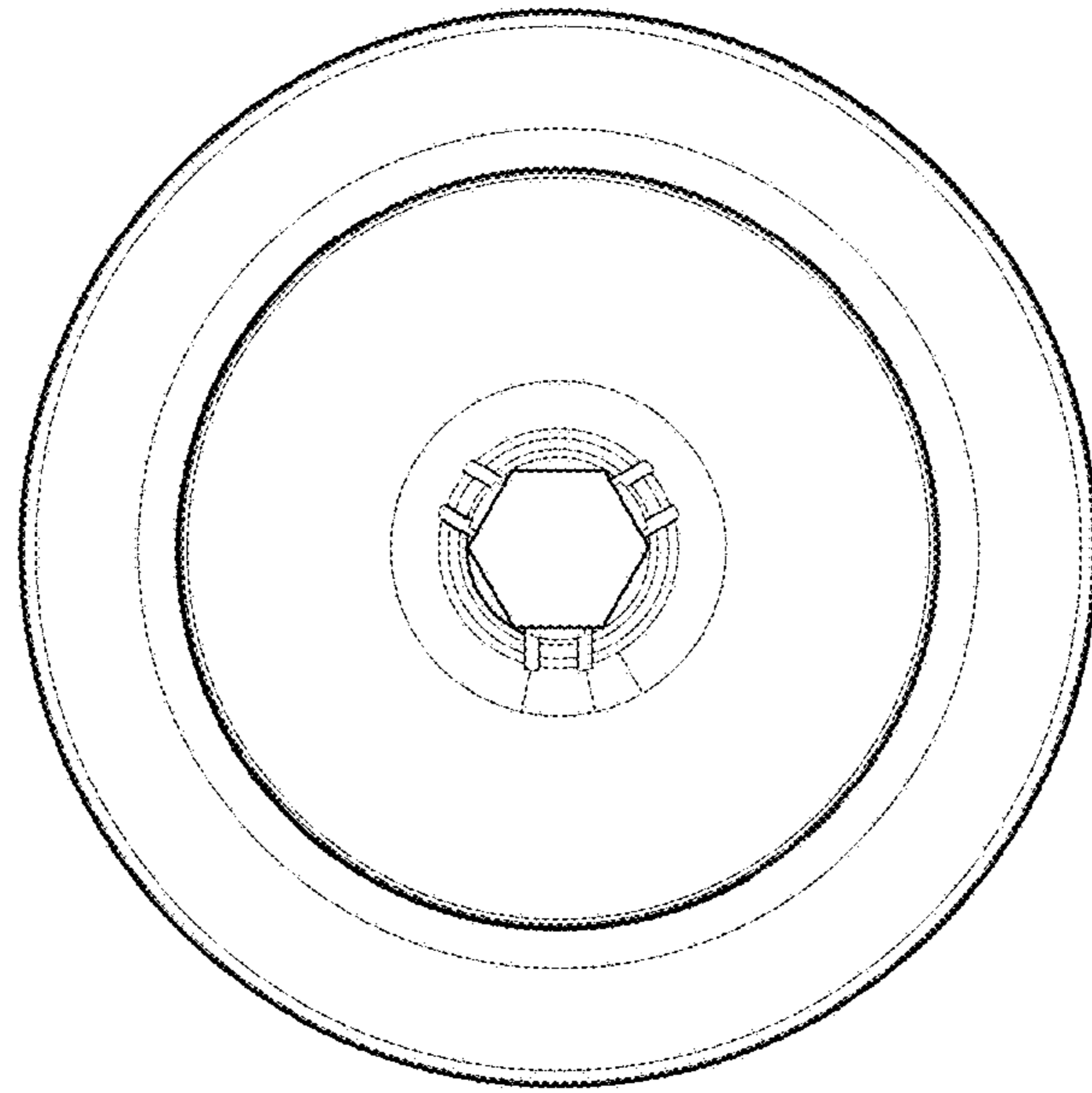
1.3



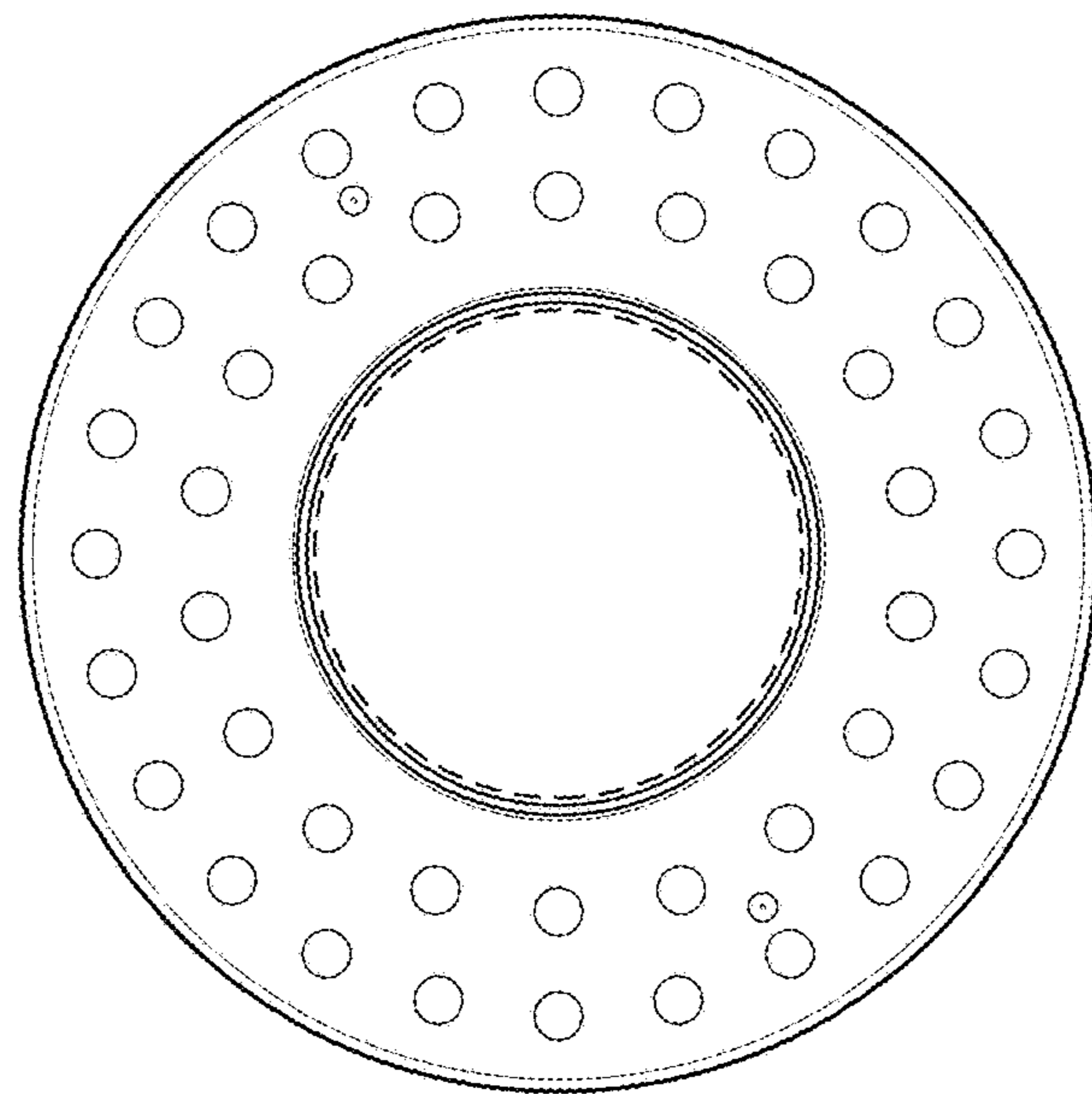
1.4



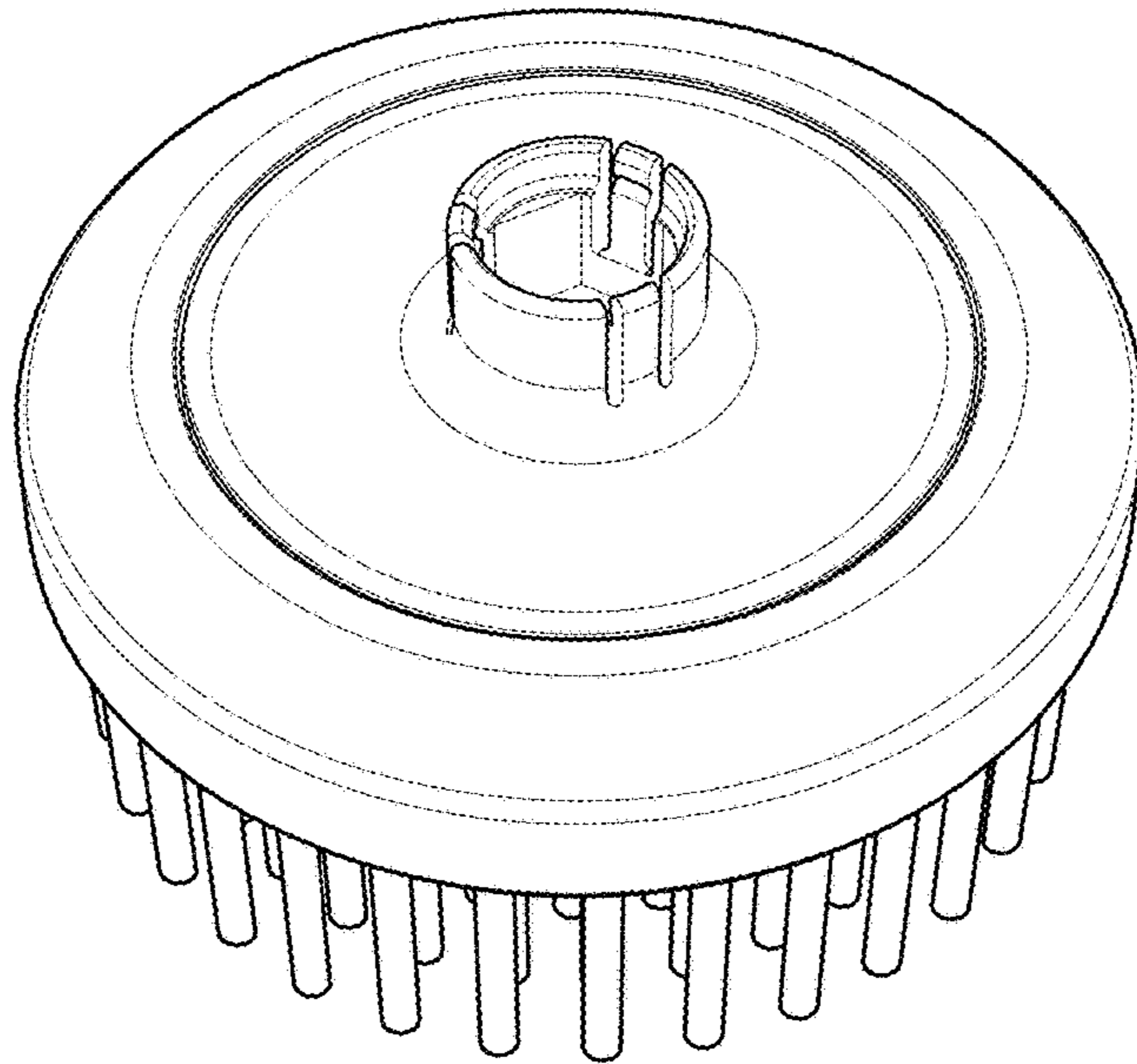
1.5



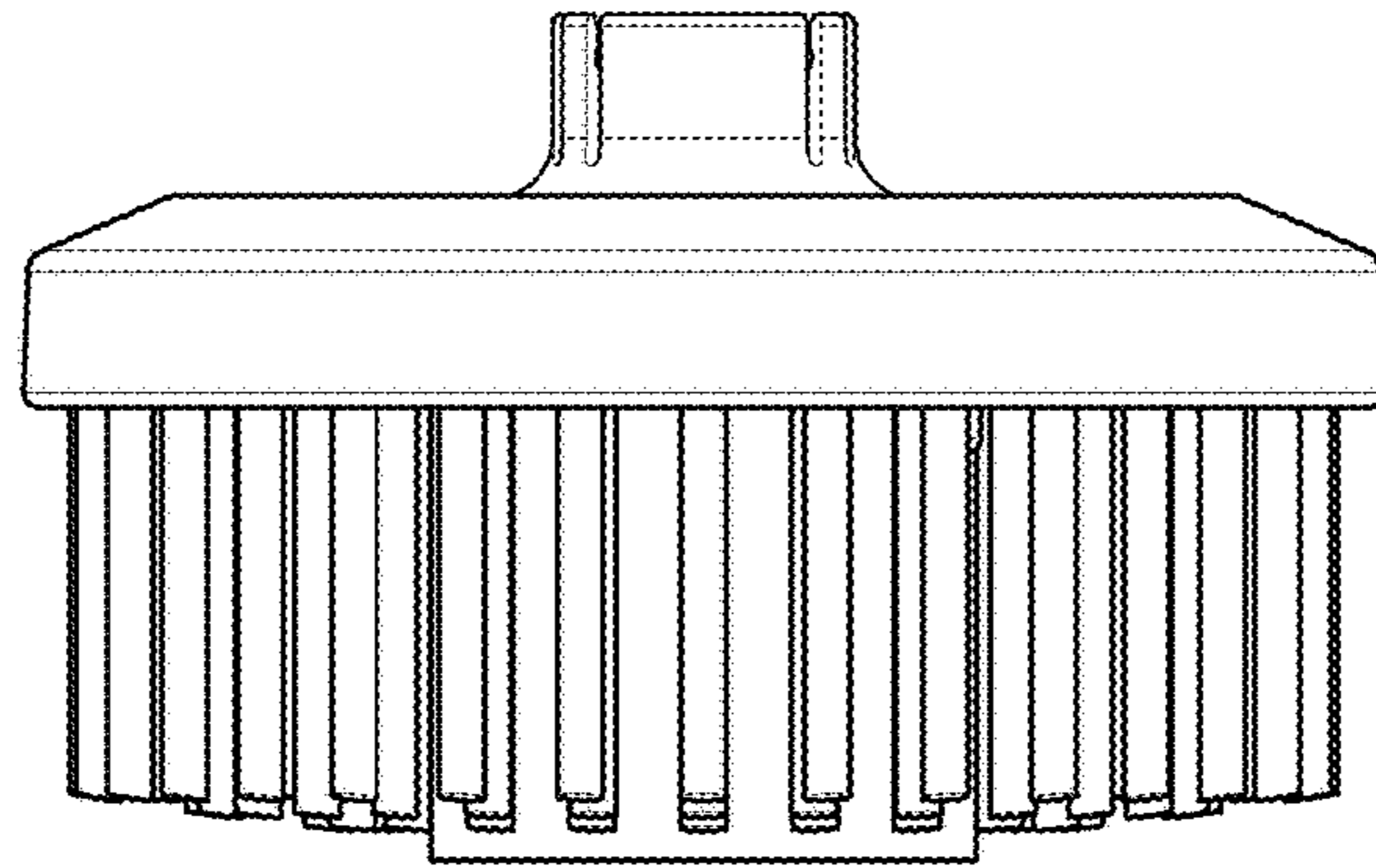
1.6



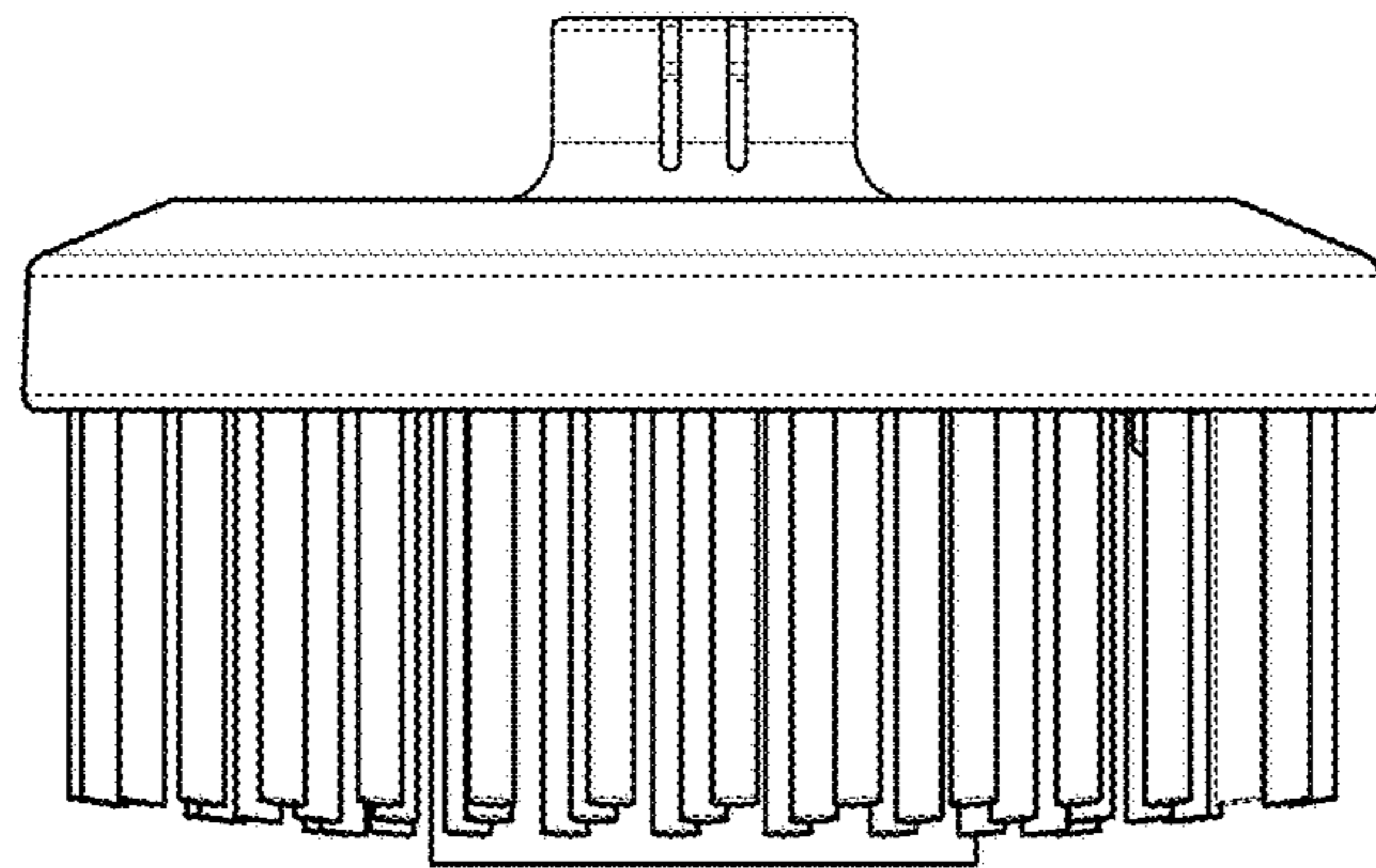
1.7



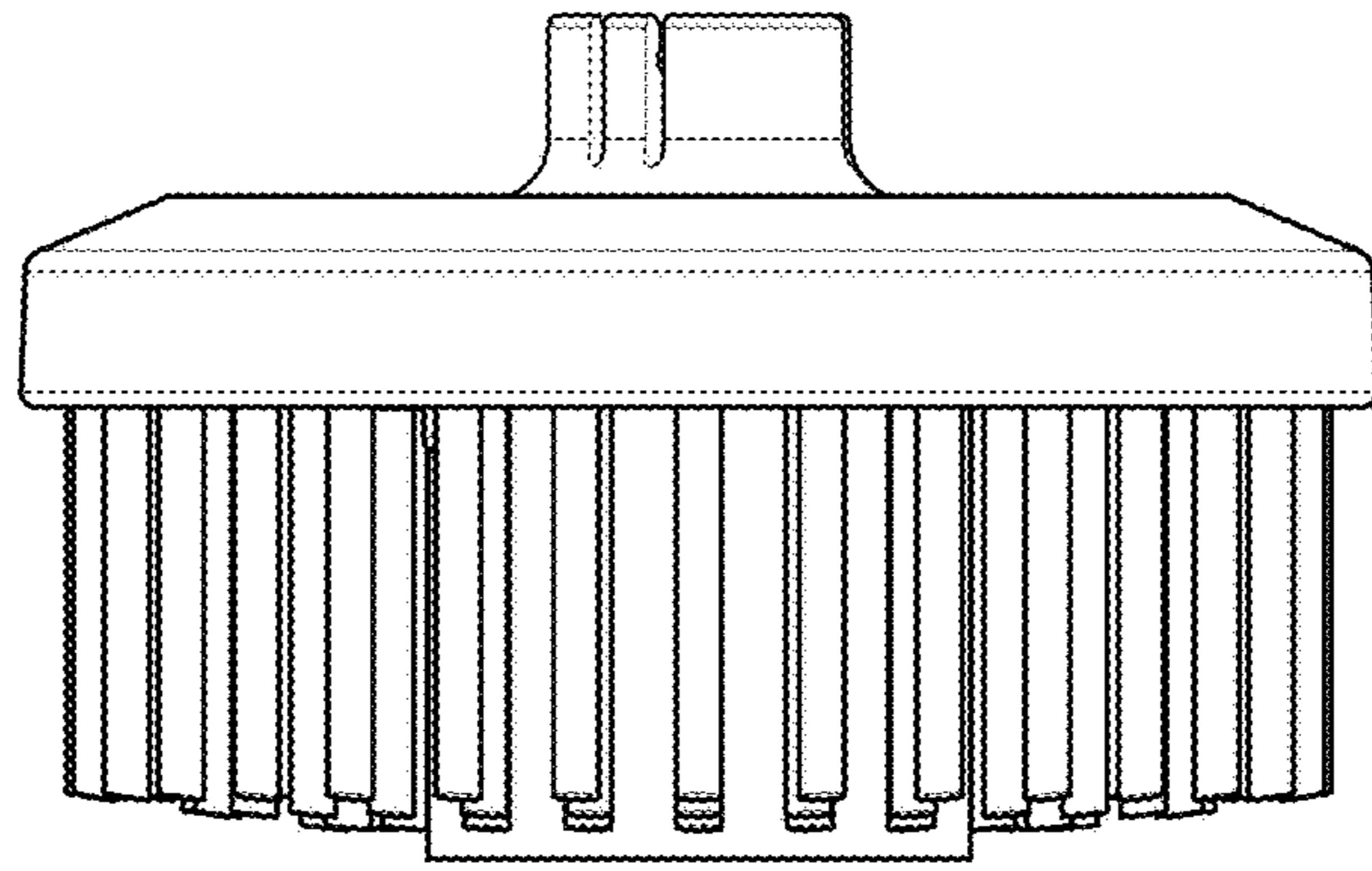
2.1



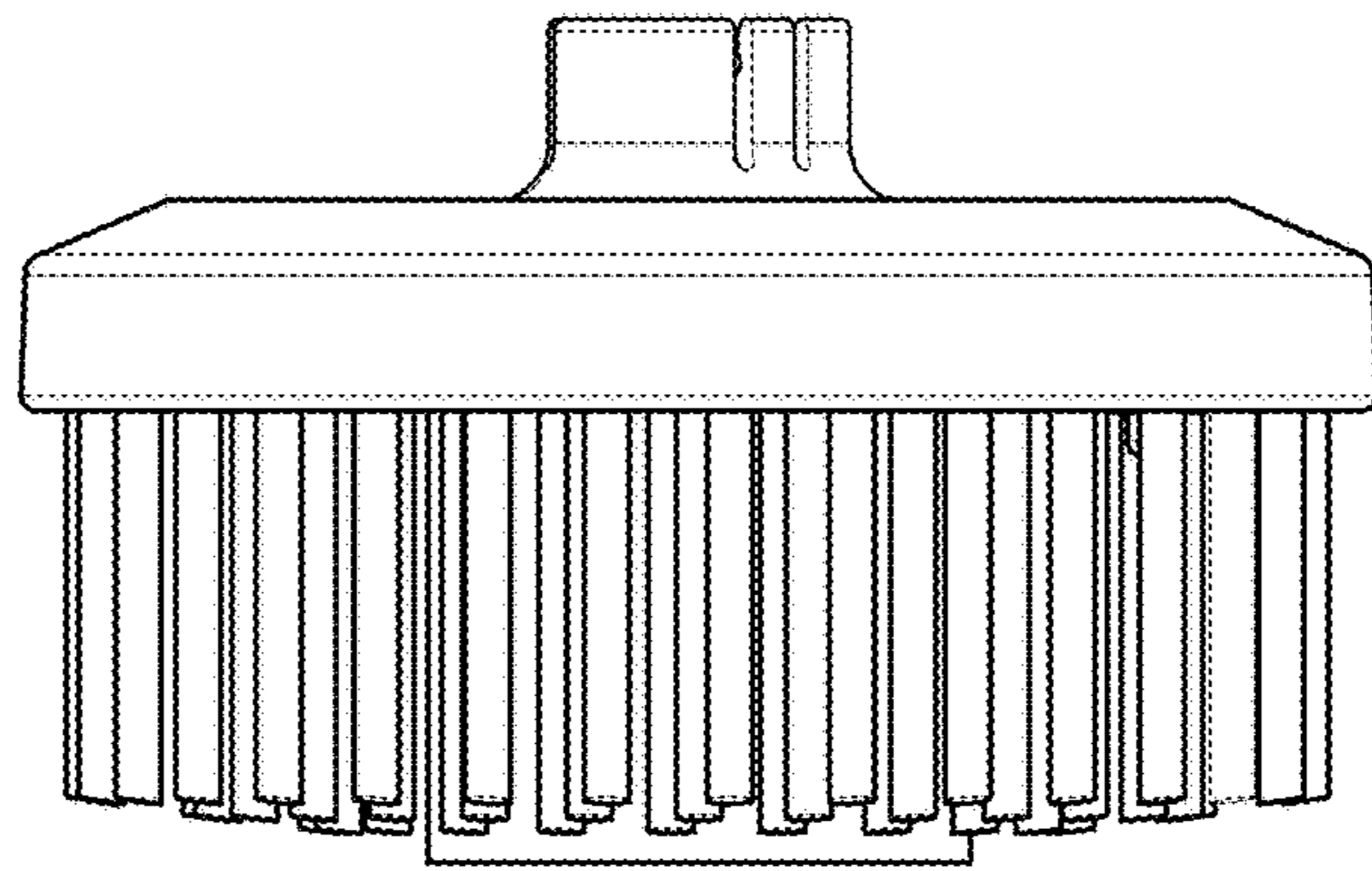
2.2



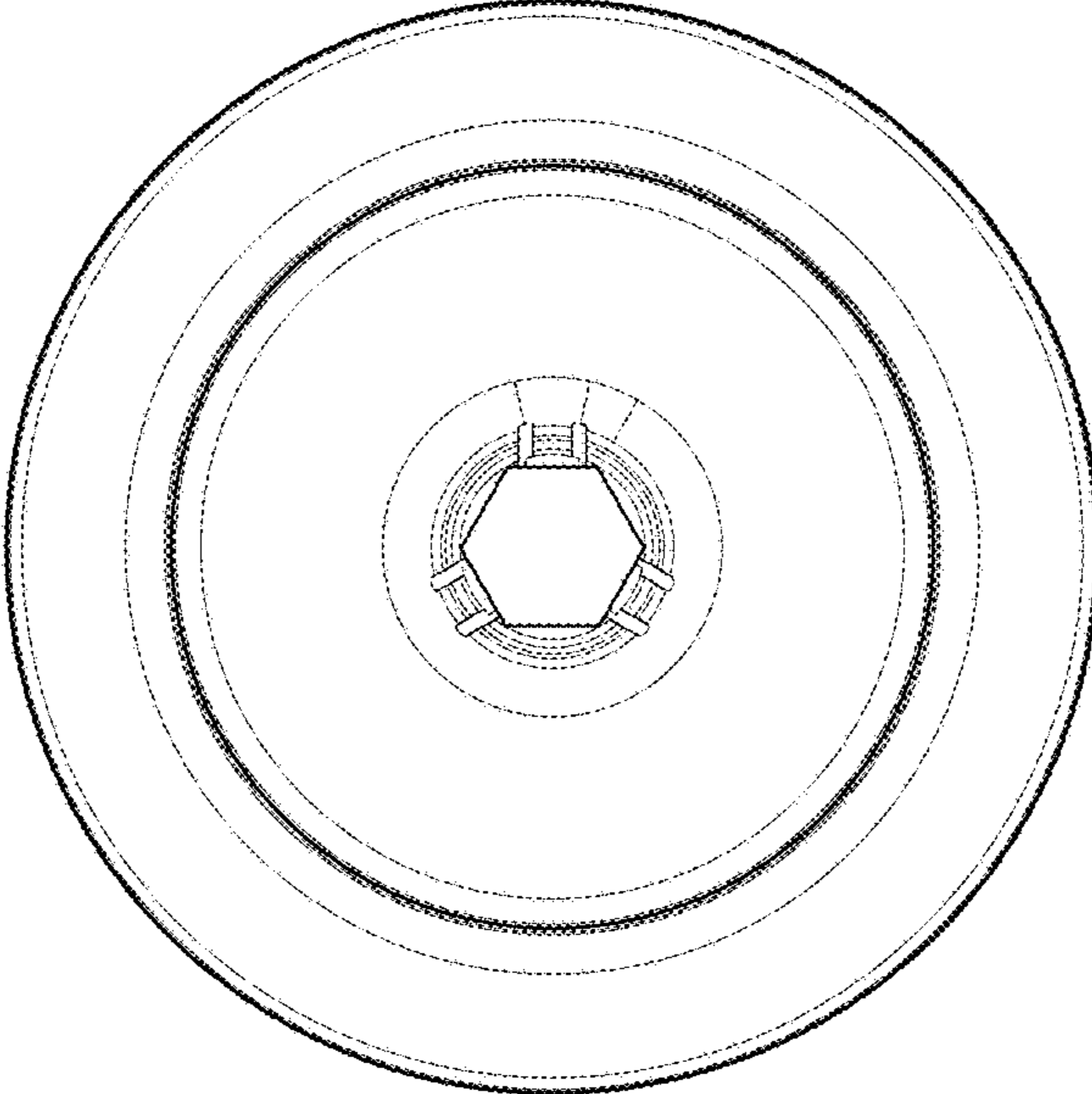
2.3



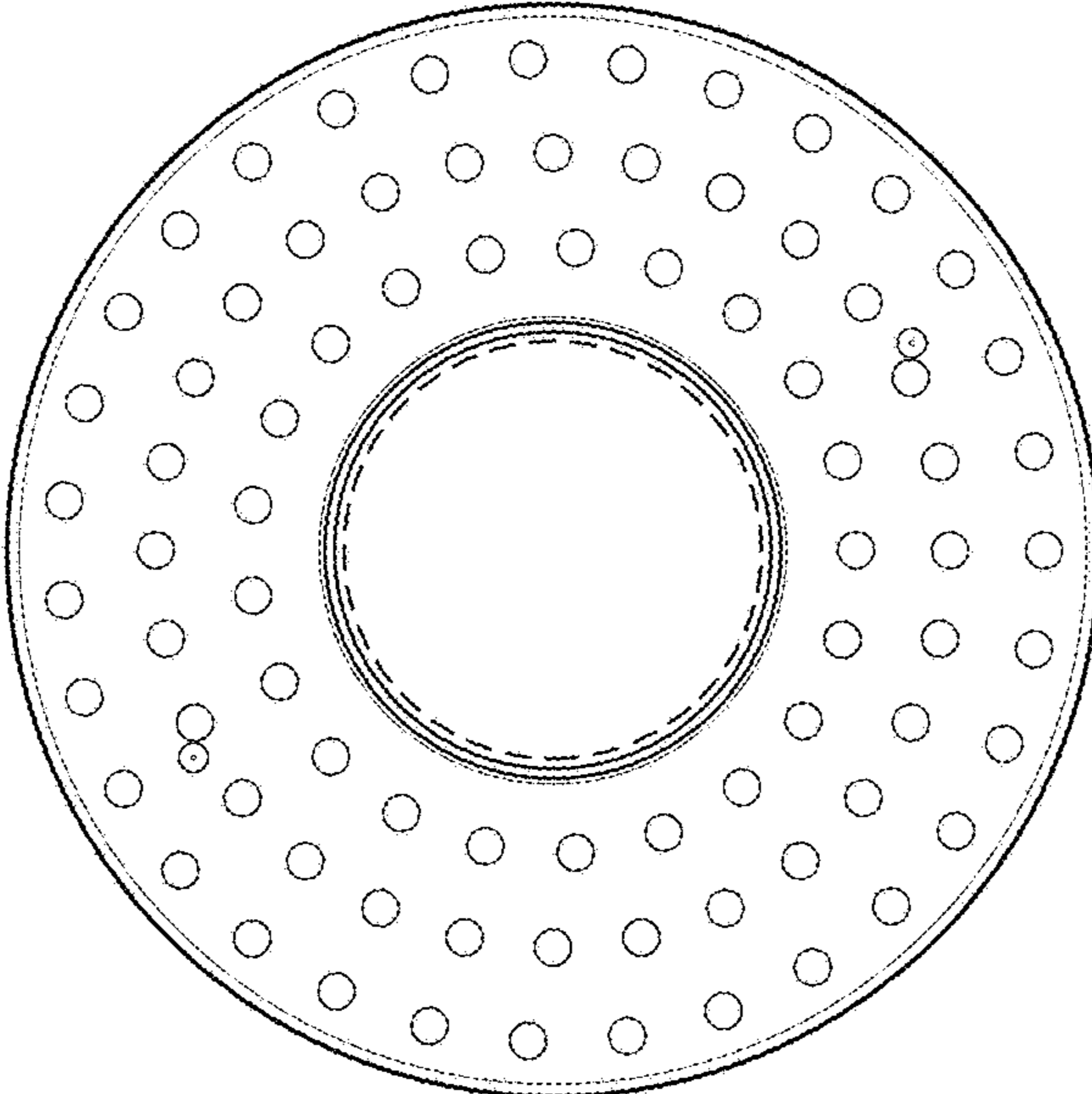
2.4



2.5



2.6



2.7