



US00D851403S

(12) **United States Design Patent** (10) **Patent No.:** **US D851,403 S**
Stone (45) **Date of Patent:** **** Jun. 18, 2019**

(54) **HANDBAG ORNAMENT**

D835,415 S * 12/2018 Trussardi D3/325
D835,913 S * 12/2018 Gorham D3/318

(71) Applicant: **Sophia Stone**, Palm Beach Gardens, FL (US)

* cited by examiner

(72) Inventor: **Sophia Stone**, Palm Beach Gardens, FL (US)

Primary Examiner — Holly H Baynham

(74) *Attorney, Agent, or Firm* — Ingram IP Law, P.A.

(**) Term: **15 Years**

(57) **CLAIM**

I claim the ornamental design for a handbag ornament, as shown and described.

(21) Appl. No.: **29/635,341**

DESCRIPTION

(22) Filed: **Jan. 30, 2018**

(51) **LOC (11) Cl.** **03-01**

(52) **U.S. Cl.**
USPC **D3/318**

(58) **Field of Classification Search**
USPC D3/232–233, 240–243, 245–246, 318
CPC .. A45C 1/024; A45C 3/06; A45C 1/02; A45C 1/04

See application file for complete search history.

FIG. 1 is a perspective view of an handbag ornament showing my new design;
FIG. 2 is a front view thereof;
FIG. 3 is a rear view thereof;
FIG. 4 is a right side view thereof;
FIG. 5 is a left side view thereof;
FIG. 6 is a top view thereof;
FIG. 7 is a bottom view thereof; and,
FIG. 8 is a reduced scale perspective view of the handbag ornament illustrating my new design in the environment of a handbag.

Broken lines are used to illustrate environment and unclaimed portions of the handbag ornament.

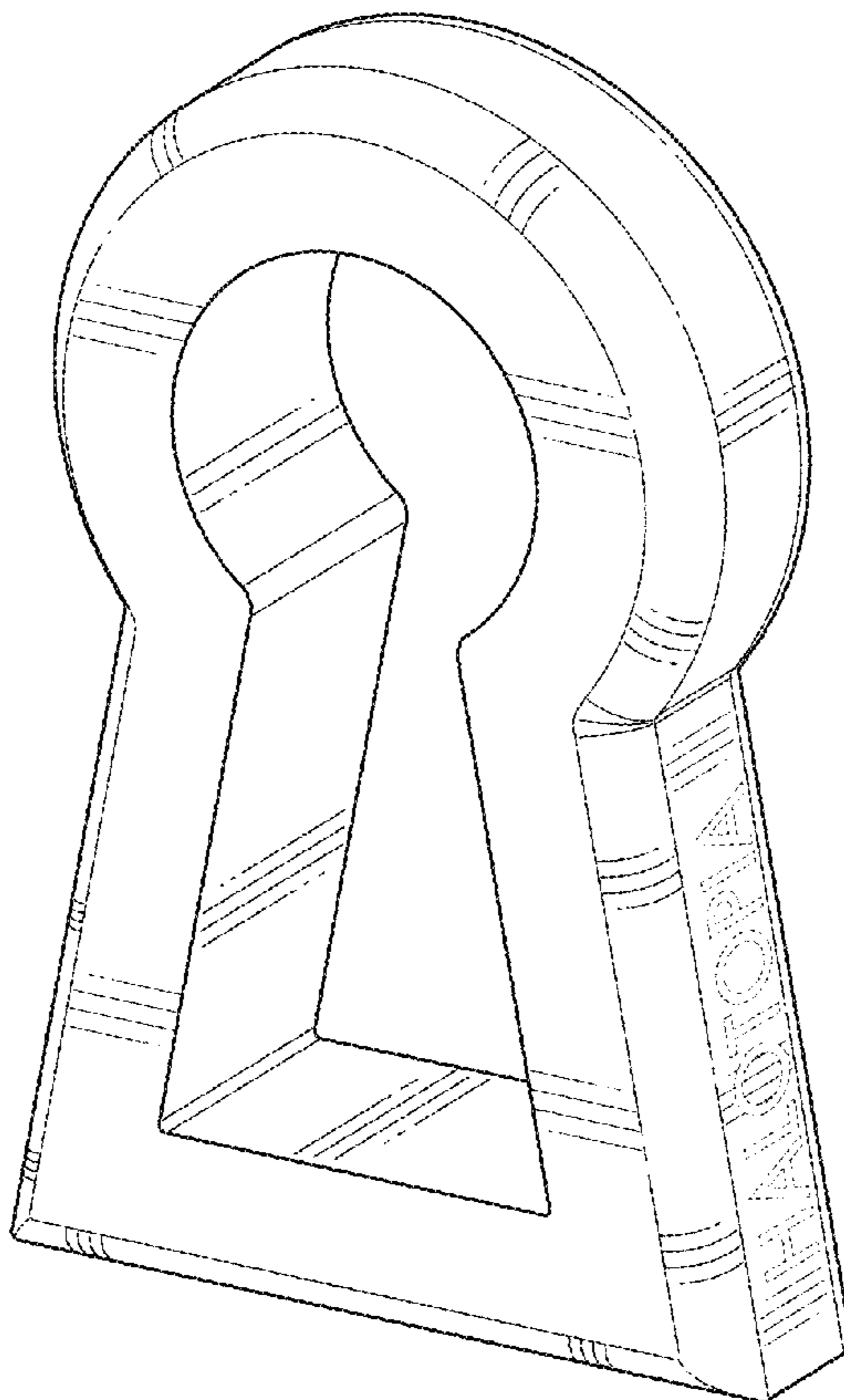
Broken lines, and any boundary created thereby, form no part of the claimed design.

(56) **References Cited**

U.S. PATENT DOCUMENTS

D762,388 S * 8/2016 Guichot D3/318
D834,824 S * 12/2018 Trussardi D3/325

1 Claim, 6 Drawing Sheets



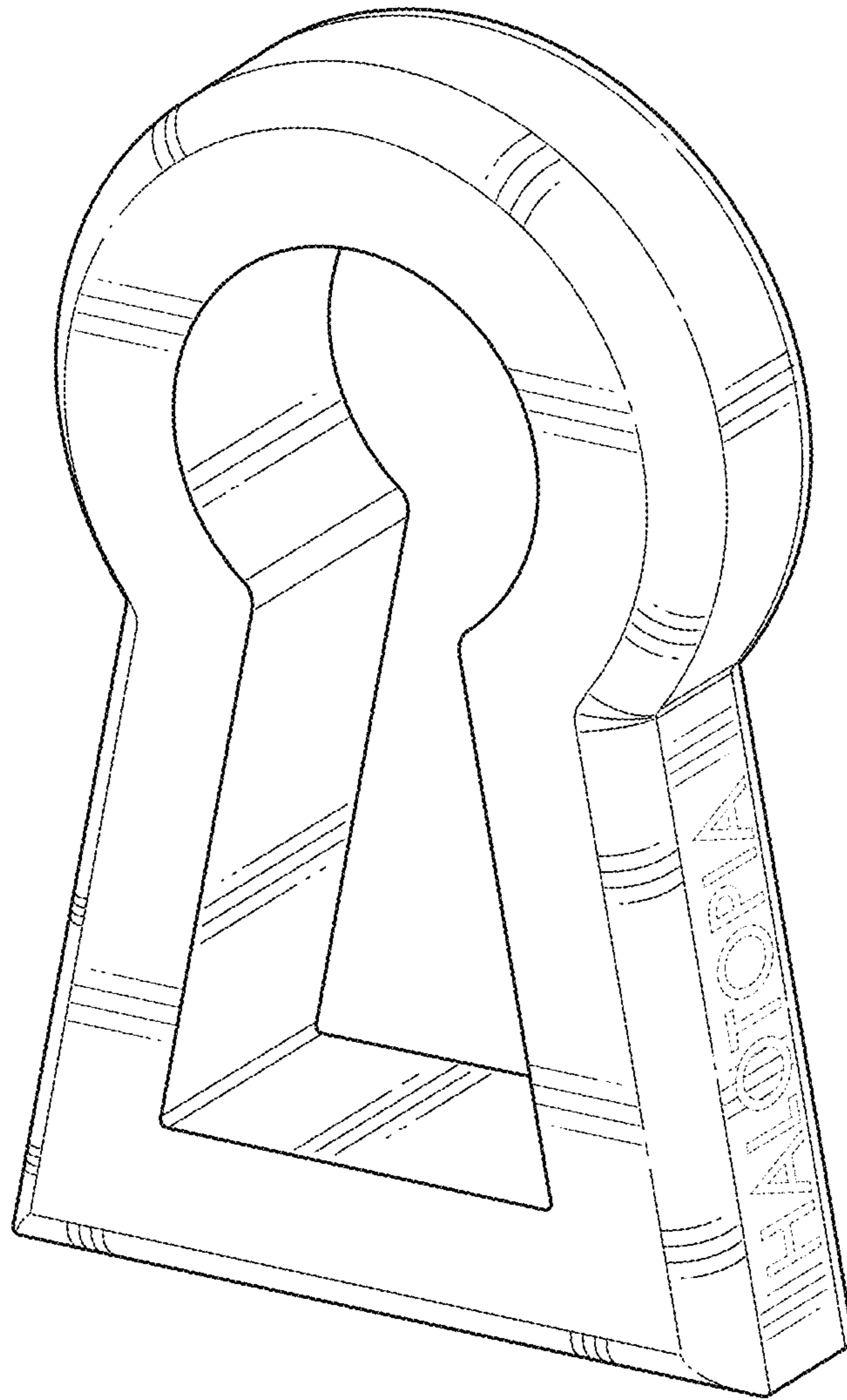


FIG. 1

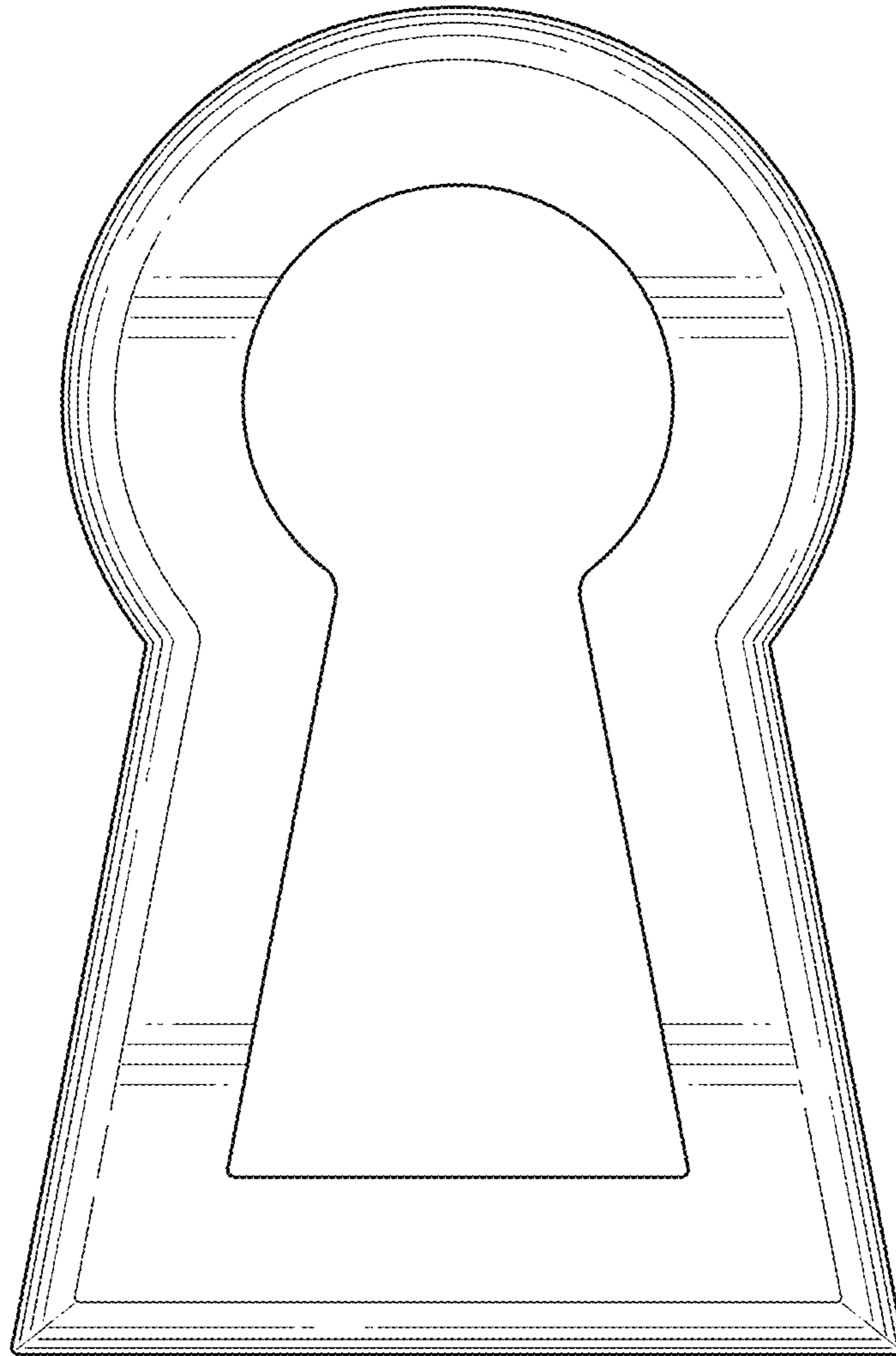


FIG. 2

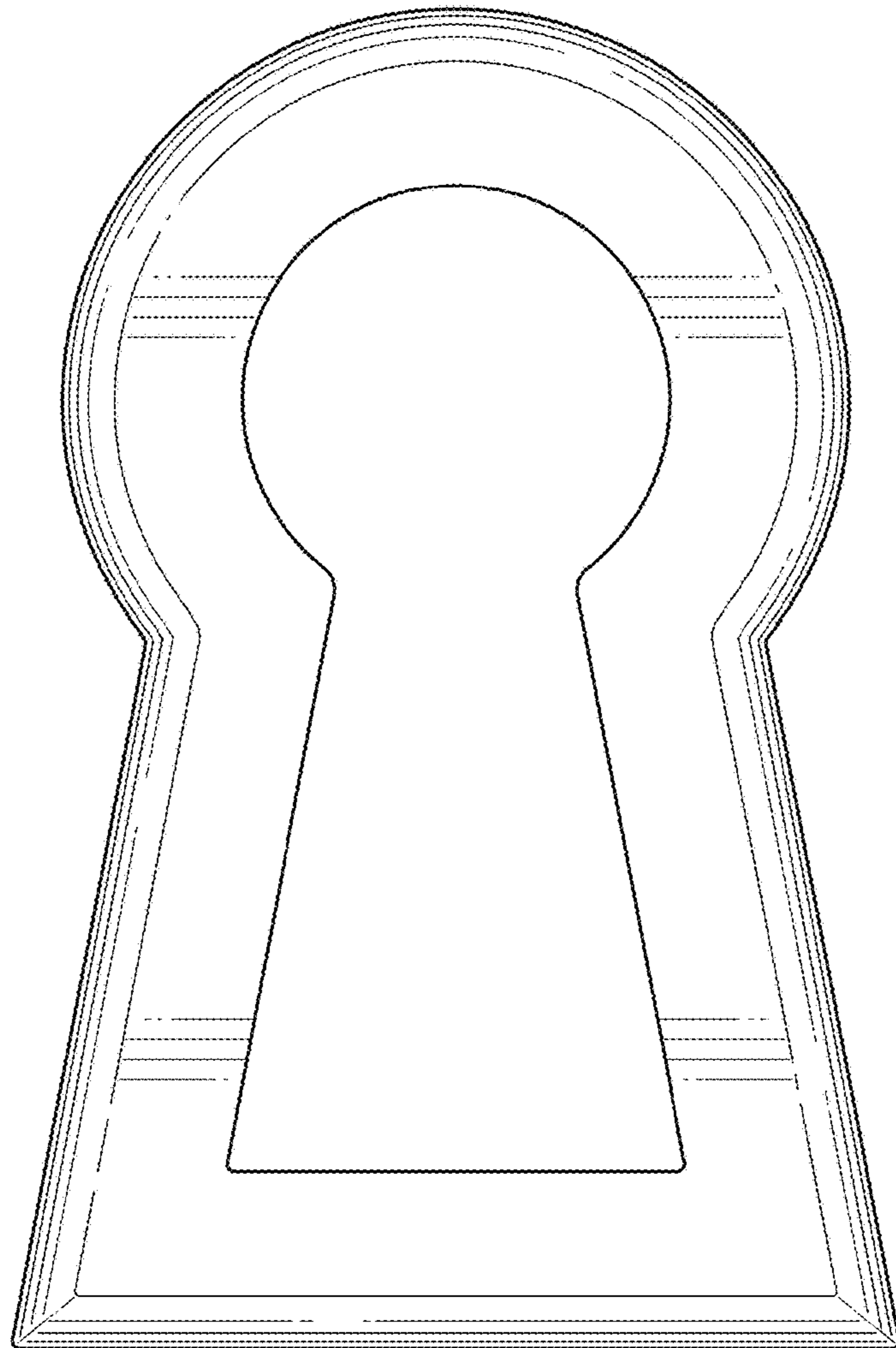


FIG. 3

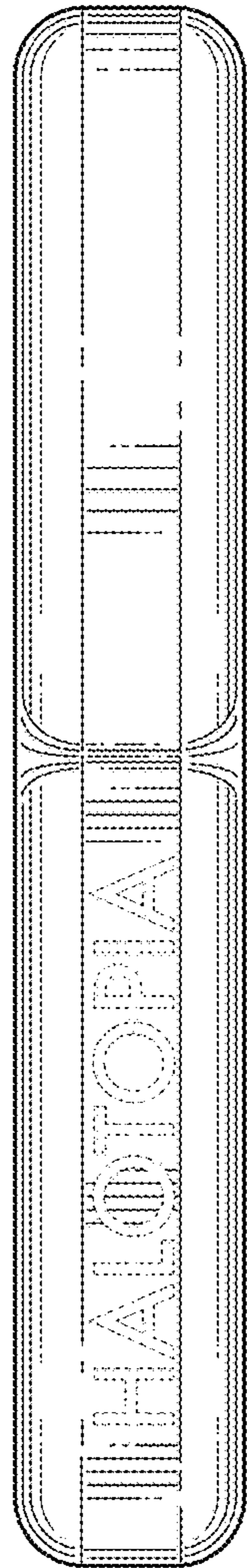


FIG. 4

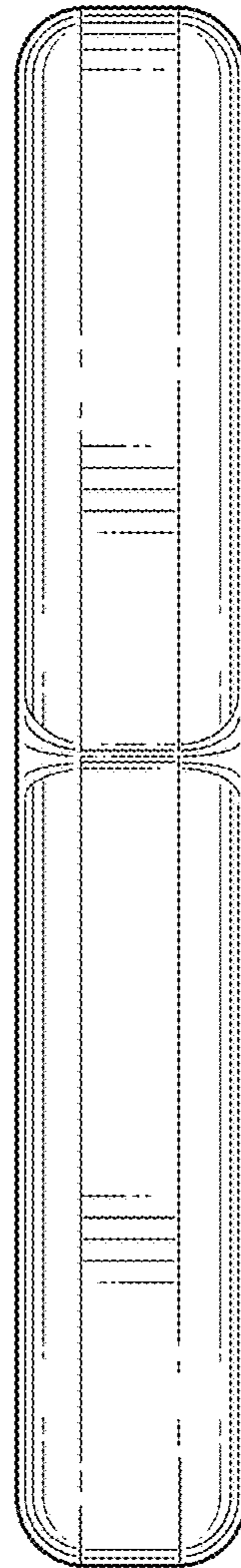


FIG. 5

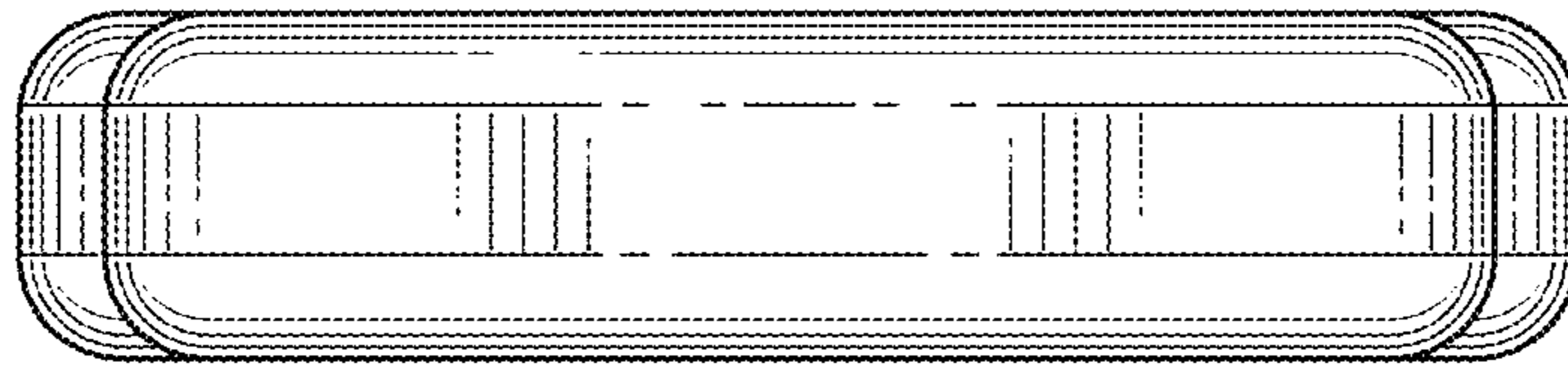


FIG. 6

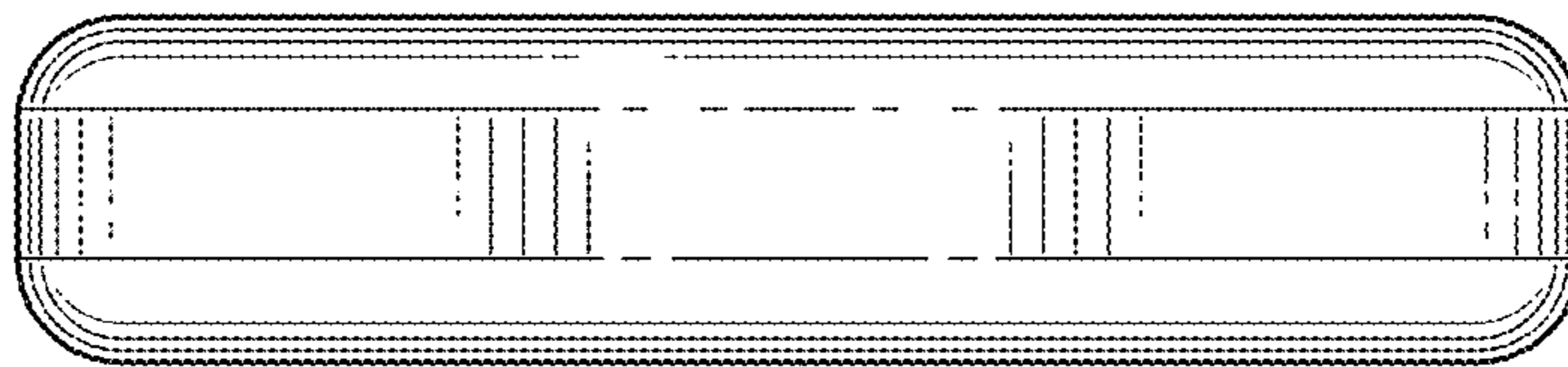


FIG. 7

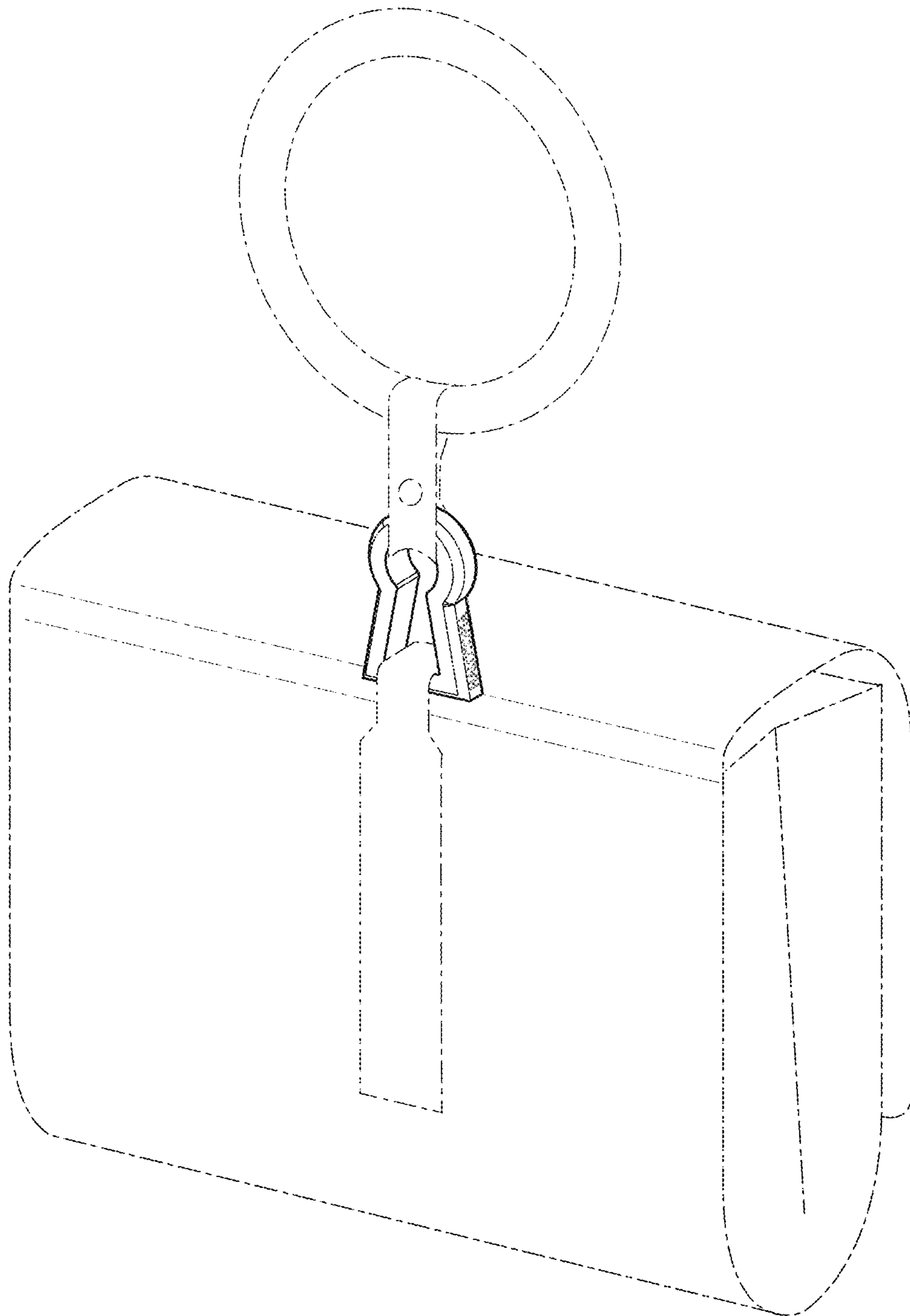


FIG. 8