



US00D851401S

(12) **United States Design Patent**  
**Zhang**

(10) **Patent No.:** **US D851,401 S**  
(45) **Date of Patent:** **\*\* Jun. 18, 2019**

- (54) **STORAGE BOX**
- (71) Applicant: **Jinhui Zhang**, Zhangjiagang (CN)
- (72) Inventor: **Jinhui Zhang**, Zhangjiagang (CN)
- (73) Assignee: **Zhangjiagang SMK MFG Co., Ltd.**,  
Zhangjiagang, Jiangsu (CN)
- (\*\*) Term: **15 Years**
- (21) Appl. No.: **29/627,619**
- (22) Filed: **Nov. 28, 2017**
- (51) **LOC (11) Cl.** ..... **03-01**
- (52) **U.S. Cl.**  
USPC ..... **D3/294; D3/905**
- (58) **Field of Classification Search**  
USPC ..... D3/201, 203.6, 205, 203.1, 232, 259,  
D3/260, 273, 272, 276, 279, 282, 284,  
D3/302, 294, 900, 905, 904; D9/414,  
D9/418, 430, 432, 433; D32/53  
CPC .... B25H 3/00; B25H 3/02; A45C 5/00; A45C  
5/04; A45C 5/08; A45C 2011/007; A45C  
11/00  
See application file for complete search history.

D803,675 S \* 11/2017 Middleton ..... D9/424  
D816,323 S \* 5/2018 Zhuang ..... D3/205  
D818,712 S \* 5/2018 Fleming ..... D3/294

**OTHER PUBLICATIONS**

OXS, "Set de 4 tie down xstrap con ratchet hasta 136kg con caja de transporte", Accessed Sep. 5, 2018. (<https://www.oxs.cl/set-de-tie-4-tie-down-xstrap-con-ratchet-hasta-136kg-con-caja-de-transporte>) (Year: 2018).\*

\* cited by examiner

*Primary Examiner* — Jennifer Rivard  
*Assistant Examiner* — April Rivas

(57) **CLAIM**

The ornamental design for a storage box, as shown and described.

**DESCRIPTION**

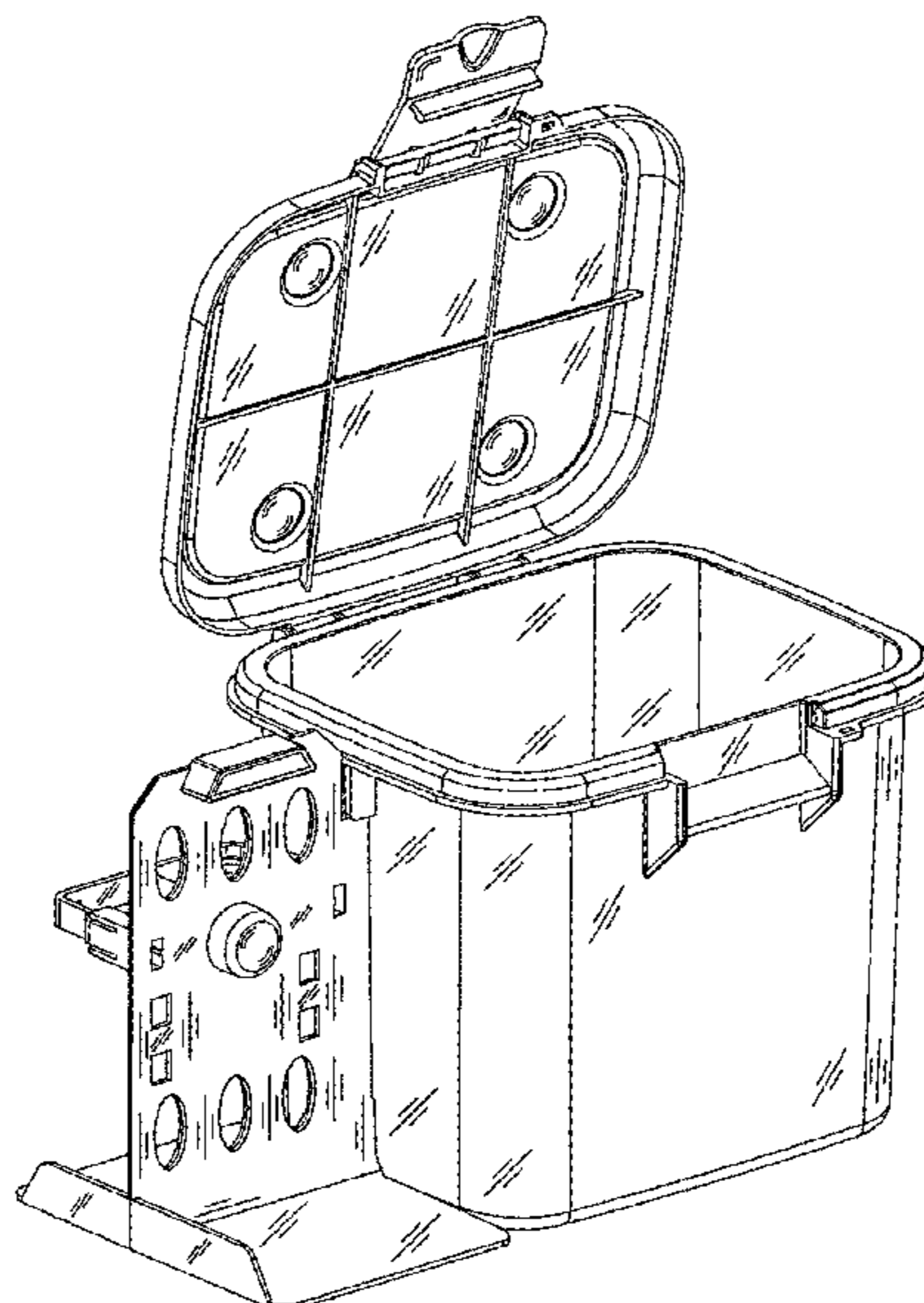
FIG. 1 is a perspective view of a storage box showing my new design;  
FIG. 2 is a front elevational view thereof;  
FIG. 3 is a rear elevational view thereof;  
FIG. 4 is a left side elevational view thereof;  
FIG. 5 is a right side elevational view thereof;  
FIG. 6 is a top plan view thereof; and,  
FIG. 7 is a bottom plan view thereof. The "XSTRAP STANDARD" is a registered trademark of Zhangjiagang SMK MFG. Co. Ltd., and the trademark material forming part of the claimed design, and the claimed product storage box sold under the trademark XSTRAP STANDARD.  
The broken lines illustrate portions of the storage box and form no part of the claimed design.

**1 Claim, 7 Drawing Sheets**

(56) **References Cited**

**U.S. PATENT DOCUMENTS**

- D296,671 S \* 7/1988 Jordan ..... D3/203.1
- D311,334 S \* 10/1990 Flynn ..... D7/629
- D384,502 S \* 10/1997 Seager ..... D3/294
- D446,012 S \* 8/2001 Ashiwa ..... D3/273
- D473,137 S \* 4/2003 Cadiente ..... B65D 43/162  
D9/423
- D483,664 S \* 12/2003 Cadiente ..... D9/418
- D681,950 S \* 5/2013 Deschenes ..... D3/294
- D762,875 S \* 8/2016 Lui ..... D24/227
- D784,629 S \* 4/2017 Farrish ..... D3/273
- D795,575 S \* 8/2017 Barraco ..... D3/260



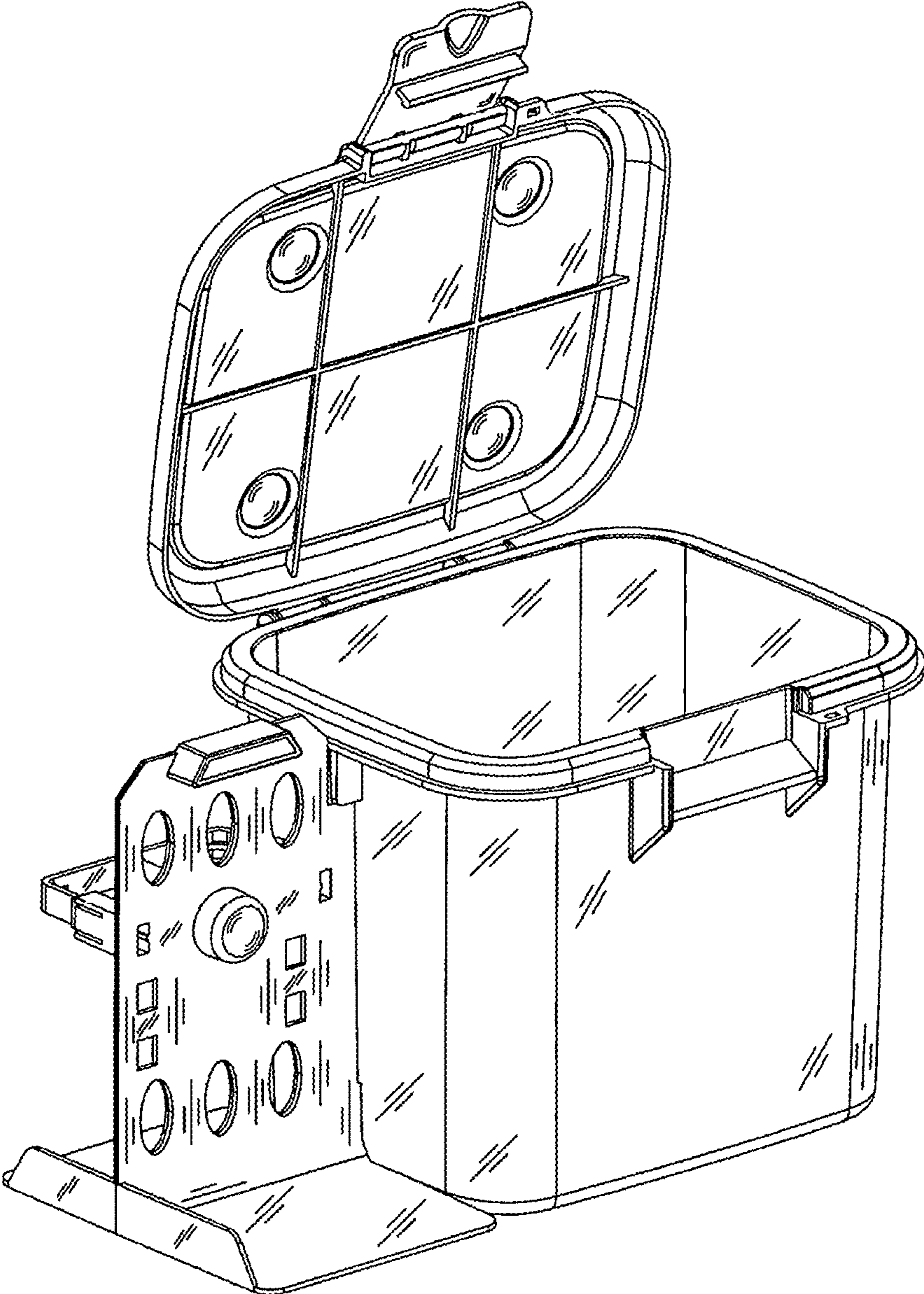


FIG.1

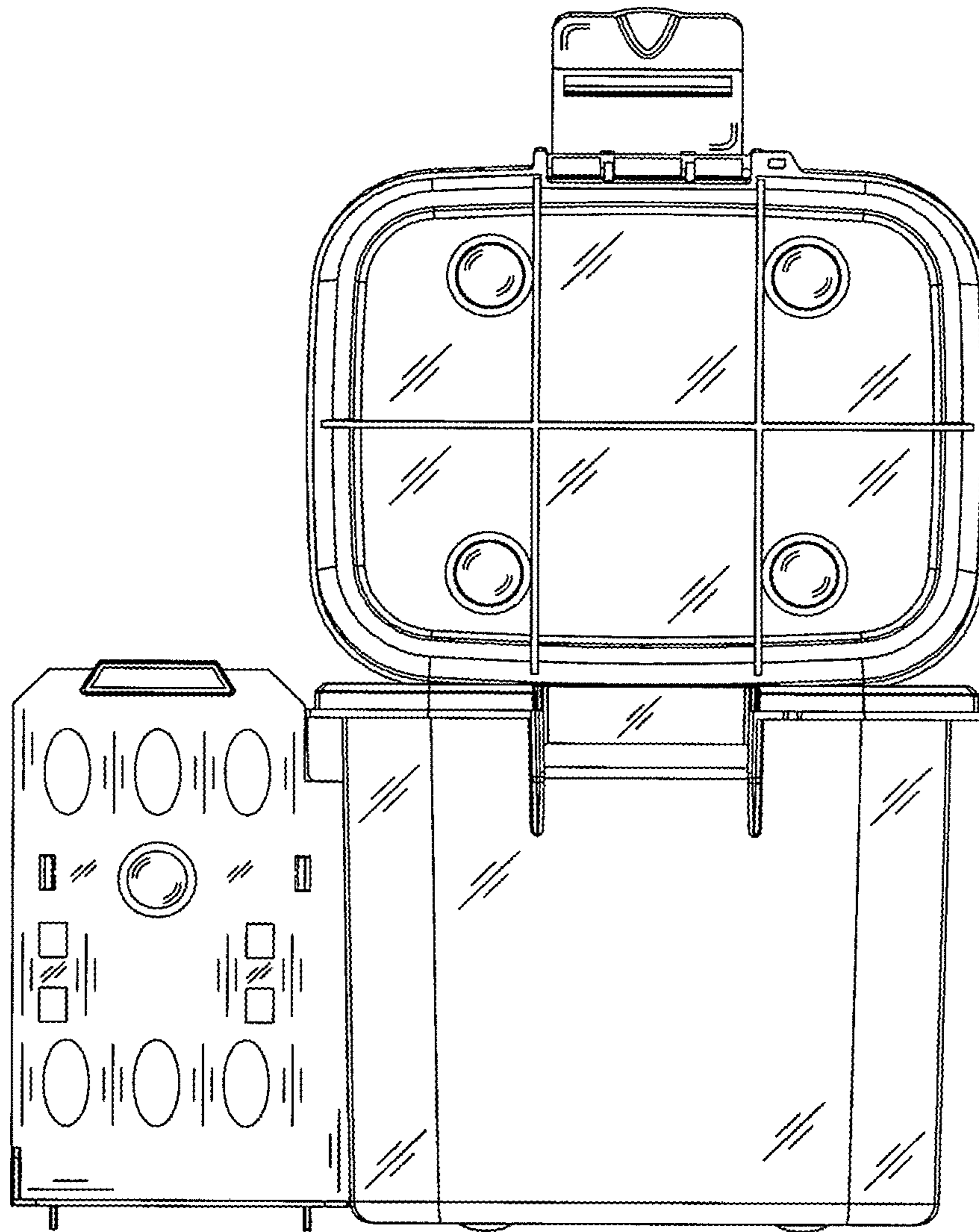


FIG.2

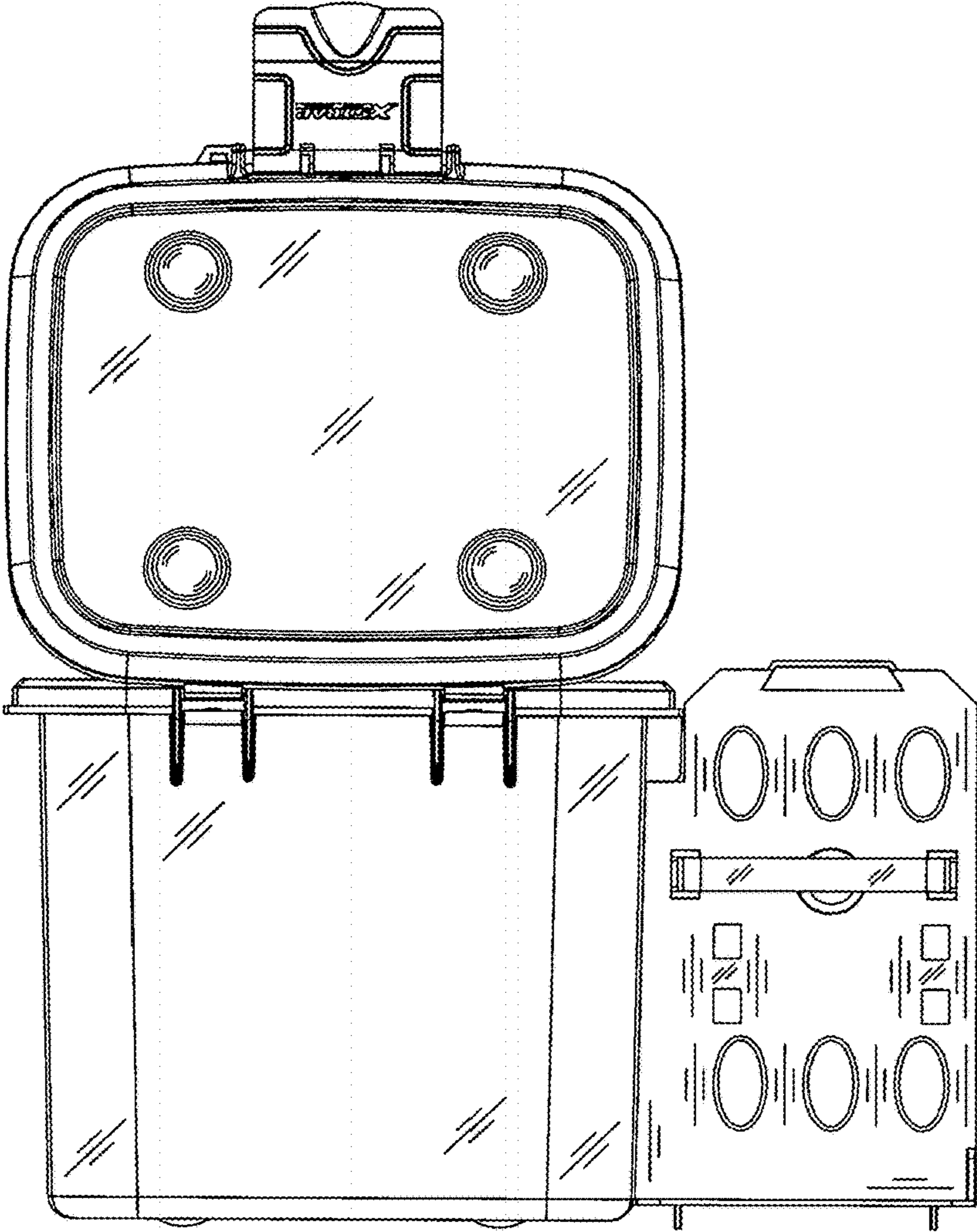


FIG.3

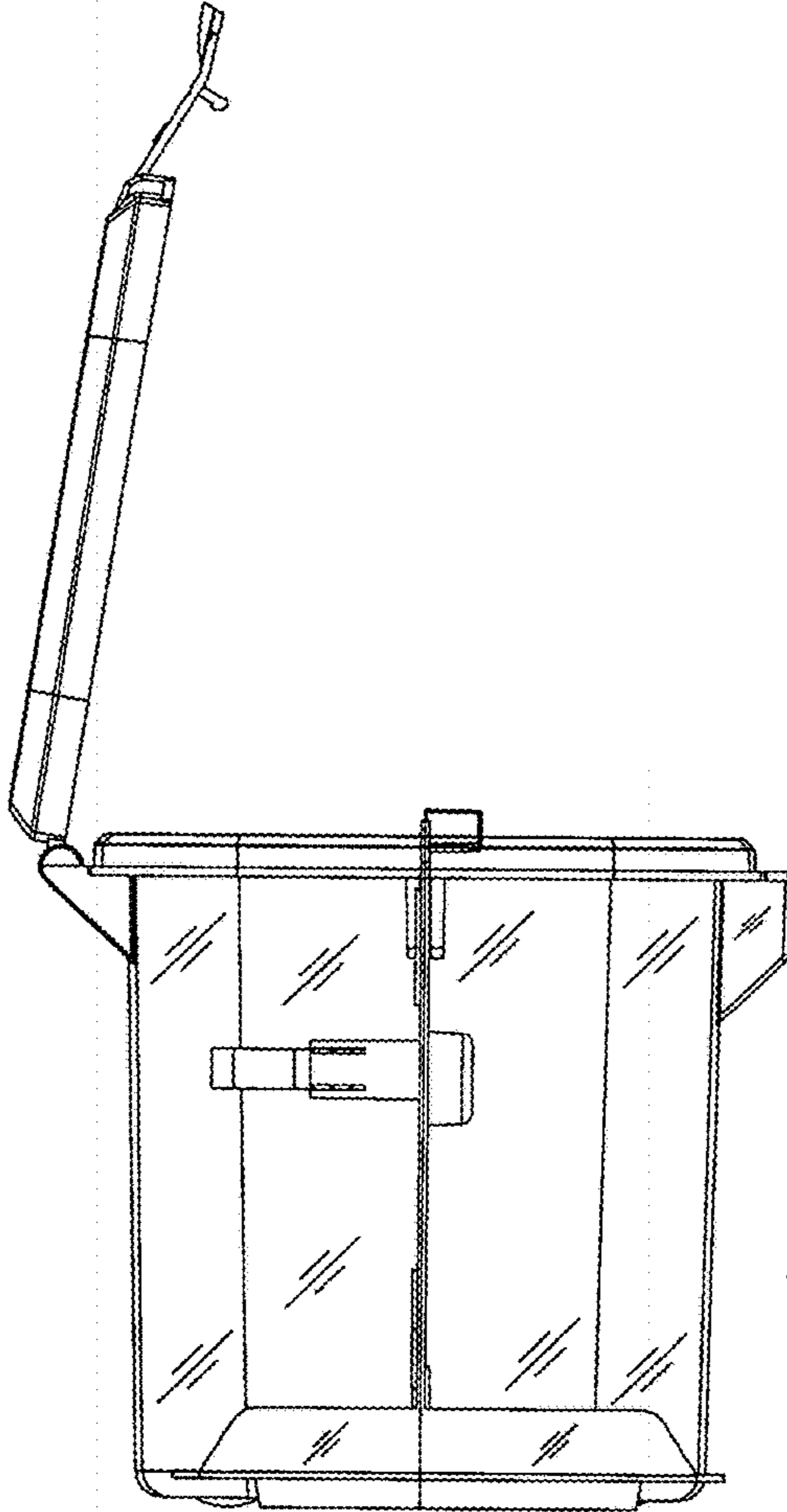


FIG.4

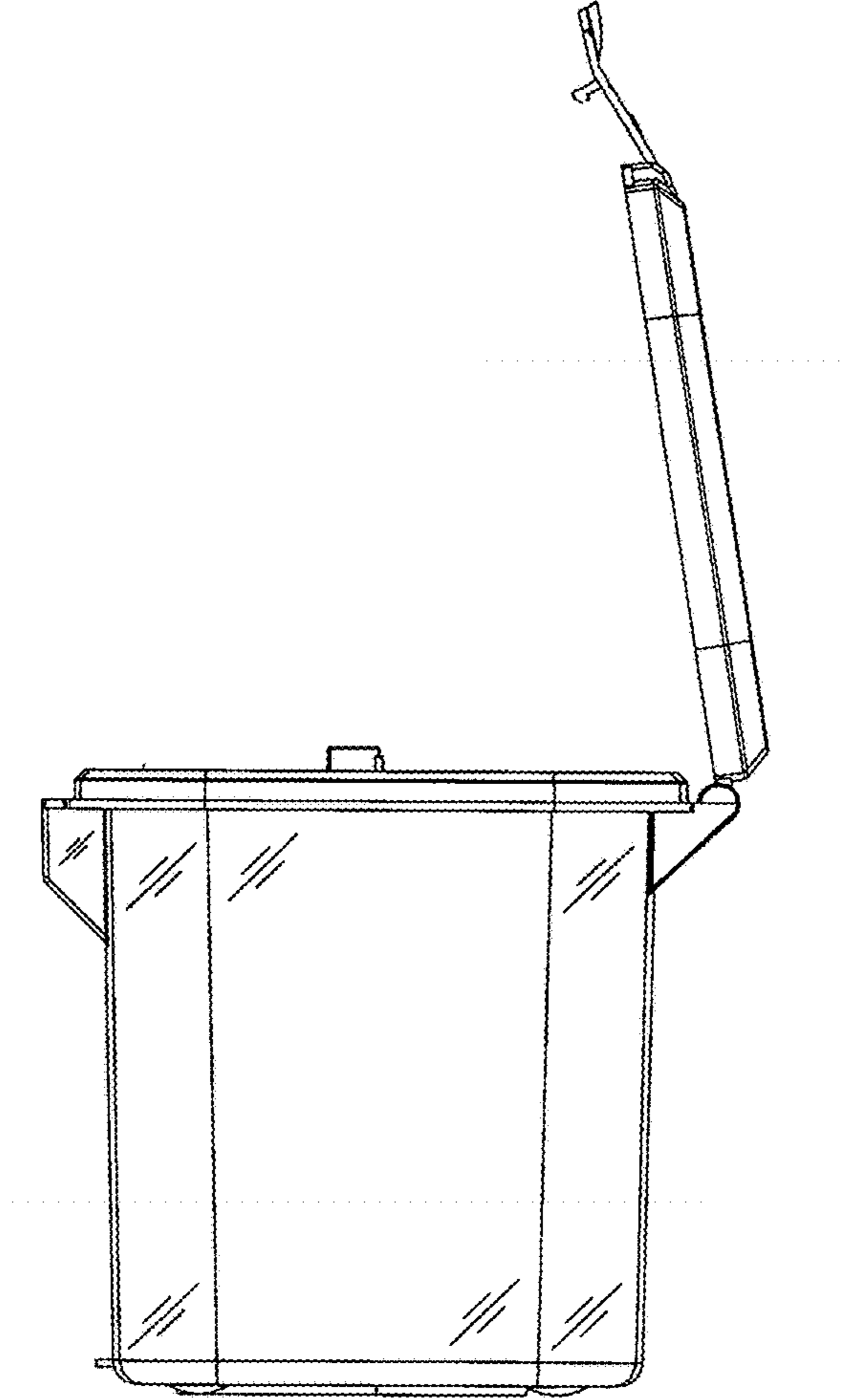


FIG.5

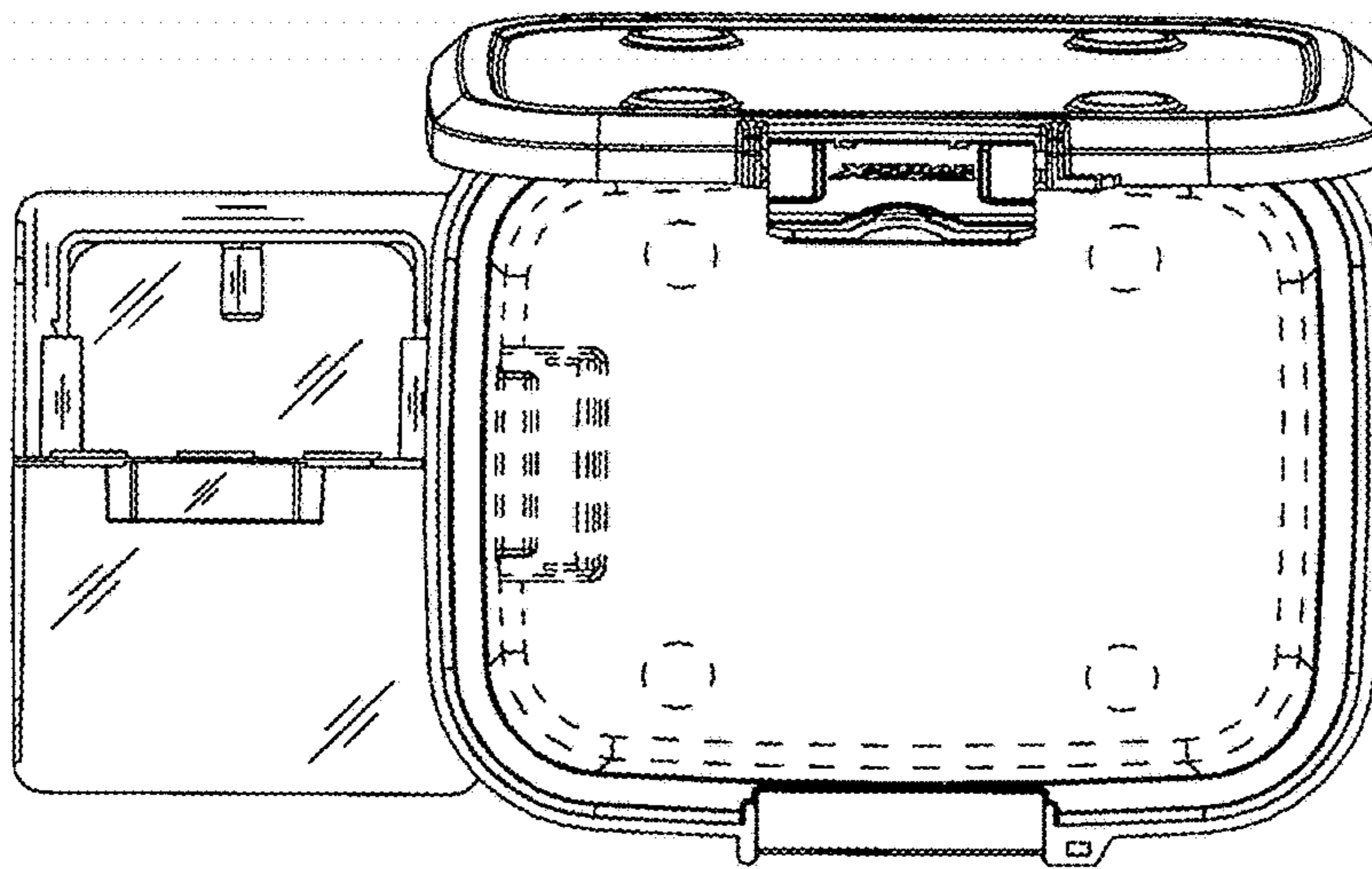


FIG.6

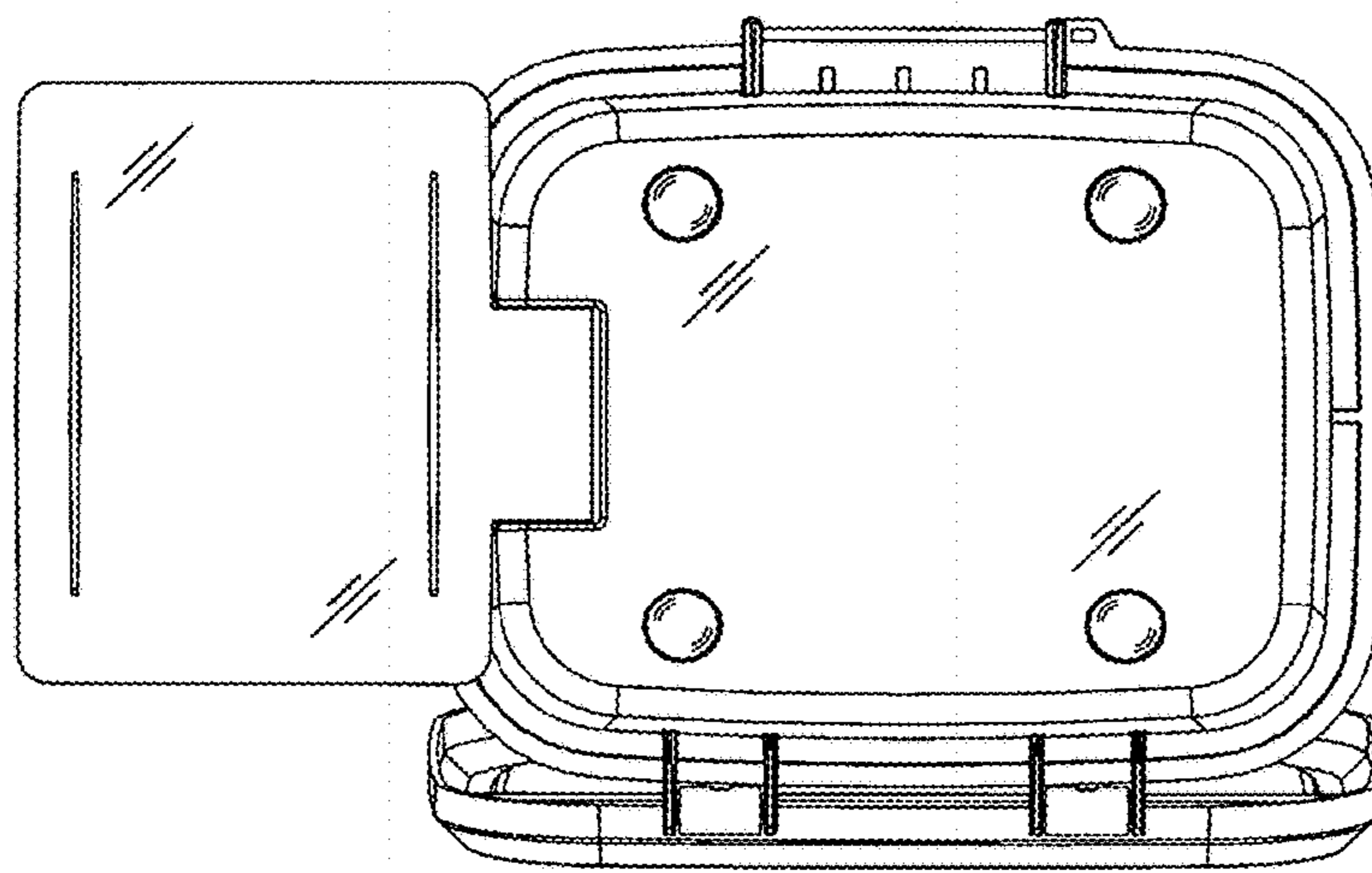


FIG. 7