



US00D851400S

(12) **United States Design Patent**
Seiders et al.

(10) **Patent No.:** **US D851,400 S**
(45) **Date of Patent:** **** Jun. 18, 2019**

- (54) **DUFFEL BAG**
- (71) Applicant: **YETI Coolers, LLC**, Austin, TX (US)
- (72) Inventors: **Roy Joseph Seiders**, Austin, TX (US);
Erik Steven Larson, Austin, TX (US);
Derek G. Sullivan, Austin, TX (US);
Alex Baires, Austin, TX (US); **Jeffrey Charles Munie**, Austin, TX (US)
- (73) Assignee: **YETI Coolers, LLC**, Austin, TX (US)

6,286,461 B1 9/2001 Martz
 6,338,180 B1 1/2002 Massard
 6,409,066 B1 6/2002 Schneider et al.
 6,460,746 B1 10/2002 Amram
 D465,924 S 11/2002 Gisser
 (Continued)

FOREIGN PATENT DOCUMENTS

CA 2300014 A1 8/2001
 CA 2327764 A1 6/2002
 (Continued)

(**) Term: **15 Years**

OTHER PUBLICATIONS

- (21) Appl. No.: **29/639,767**
- (22) Filed: **Mar. 8, 2018**
- (51) **LOC (11) Cl.** **03-01**
- (52) **U.S. Cl.**
USPC **D3/289**
- (58) **Field of Classification Search**
USPC D3/273, 276, 284, 283, 285, 287, 289,
D3/290, 900, 902, 904, 227, 230, 217,
D3/243, 318, 321, 327, 328; D7/709,
D7/605, 607
CPC A45C 2003/007; A45C 2003/008; A45C
3/02; A45C 7/0059; A45C 11/20
See application file for complete search history.

The North Face, "Base Camp Duffel—M Updated Design", First reviewed Jun. 2018. (<https://www.thenorthface.com/shop/base-camp-duffel-m-nf0a3etp>) (Year: 2018).*
 (Continued)

Primary Examiner — Holly H Baynham
Assistant Examiner — April Rivas
 (74) *Attorney, Agent, or Firm* — Banner & Witcoff, Ltd.

(57) **CLAIM**

The ornamental design for a duffel bag, as shown and described.

DESCRIPTION

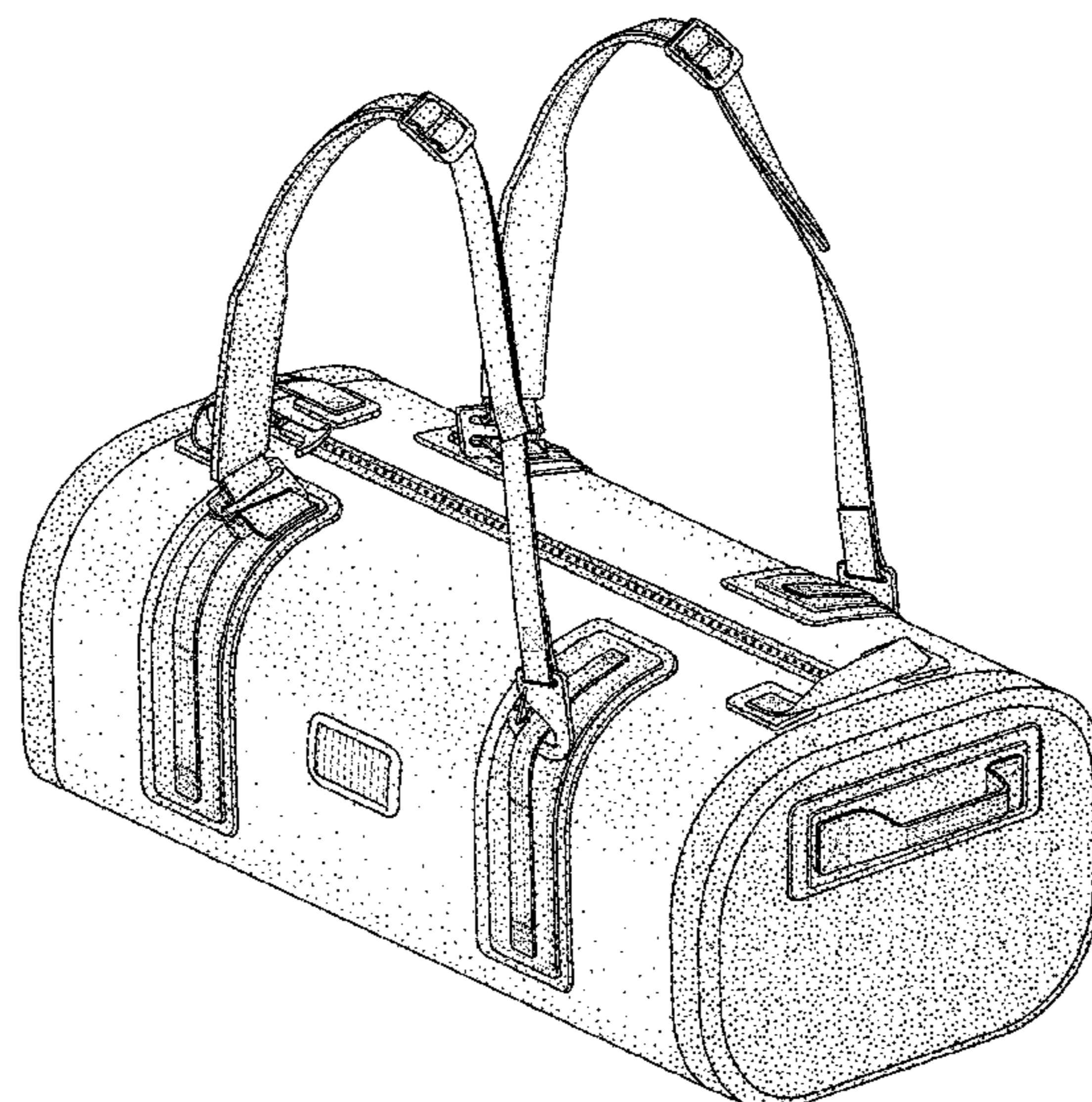
FIG. 1 is a top, front, right perspective view of a duffel bag showing our new design;
 FIG. 2 is a front view thereof;
 FIG. 3 is a rear view thereof;
 FIG. 4 is a right side view thereof;
 FIG. 5 is a left side view thereof;
 FIG. 6 is a top view thereof; and,
 FIG. 7 is a bottom view thereof.
 The broken lines illustrate stitching and the zipper teeth. None of the broken lines form part of the claimed design.

(56) **References Cited**

U.S. PATENT DOCUMENTS

- | | | | |
|--------------|---------|--------------------|--------|
| 3,019,952 A | 2/1962 | Brewster | |
| D269,738 S | 7/1983 | Stark | |
| D281,649 S * | 12/1985 | Bomes | D3/287 |
| 4,805,748 A | 2/1989 | Gerch | |
| D304,264 S * | 10/1989 | Peregrine | D3/289 |
| D307,668 S | 5/1990 | Young | |
| 5,005,679 A | 4/1991 | Hjelle | |
| 5,007,250 A | 4/1991 | Musielak | |
| D328,389 S | 8/1992 | Pardo | |
| 5,140,833 A | 8/1992 | Whalen | |
| D434,900 S | 12/2000 | Spence, Jr. et al. | |

1 Claim, 6 Drawing Sheets



(56)

References Cited

U.S. PATENT DOCUMENTS

D481,540 S 11/2003 Van Himbeeck
 D495,489 S 9/2004 Messina-Brown
 6,793,112 B2 9/2004 Ammerman
 D509,959 S 9/2005 Nykoluk
 D516,307 S 3/2006 Koenig et al.
 D528,792 S 9/2006 Marttila
 D535,820 S 1/2007 Kamiya
 7,207,426 B2 4/2007 Godshaw et al.
 D548,966 S 8/2007 Aliberti et al.
 7,334,684 B1 2/2008 Fontanilla et al.
 7,344,028 B2 3/2008 Hanson
 D569,610 S 5/2008 Wang
 D575,059 S * 8/2008 Cappiello D3/283
 7,597,478 B2 10/2009 Pruchnicki et al.
 D609,466 S 2/2010 Stulman
 D620,708 S 8/2010 Sanz
 7,861,857 B2 1/2011 Vorderkunz
 D632,888 S 2/2011 Jobert
 D648,533 S 11/2011 Sosnovsky
 D661,085 S 6/2012 Custer
 D667,043 S 9/2012 Couch, III
 D667,219 S 9/2012 Munson
 D674,603 S 1/2013 Gerbi
 8,453,899 B1 6/2013 Calkin
 D688,457 S * 8/2013 Harris D3/285
 D688,458 S 8/2013 Harris
 D689,283 S 9/2013 Berkowitz
 D692,662 S 11/2013 Pignotti
 D698,150 S 1/2014 Sabounjian
 8,695,770 B2 4/2014 Santy
 D713,639 S 9/2014 Whitlock et al.
 D717,040 S 11/2014 Swartzel et al.
 D725,903 S 4/2015 Kuster et al.
 D727,017 S 4/2015 Aberg et al.
 D732,824 S 6/2015 Tzortzis
 D738,107 S 9/2015 Adler et al.
 D738,108 S 9/2015 Adler et al.
 9,138,036 B2 9/2015 Andreasson et al.
 D740,550 S 10/2015 Shabou
 D740,551 S 10/2015 Shabou
 D740,552 S 10/2015 Shabou
 D742,646 S 11/2015 Amago
 D745,778 S 12/2015 Shabou
 9,215,918 B2 12/2015 Kao et al.
 D747,873 S 1/2016 Peng
 D749,318 S 2/2016 LoNigro
 D758,075 S * 6/2016 Quarry D3/276
 D761,562 S 7/2016 Venturini Fendi
 D766,571 S 9/2016 Boroski
 D770,761 S 11/2016 Deioma et al.
 D777,425 S 1/2017 Shin et al.
 D782,820 S * 4/2017 Thompson D3/283
 D784,908 S 4/2017 Kalchuri et al.
 D785,325 S 5/2017 Samrelius et al.
 D789,682 S 6/2017 Maeng
 D792,167 S * 7/2017 Bradley D7/607
 D794,323 S 8/2017 Dumas
 D794,947 S 8/2017 Gavriel et al.
 D802,298 S 11/2017 Sassi
 D805,851 S * 12/2017 Sullivan D7/607
 D808,173 S 1/2018 Seiders et al.
 D808,174 S * 1/2018 Seiders D3/318
 D808,175 S 1/2018 Seiders et al.
 D808,225 S * 1/2018 Seiders D7/607
 D810,435 S 2/2018 Hoppe et al.
 D811,738 S 3/2018 Dumas
 D811,746 S 3/2018 Seiders et al.
 D812,898 S 3/2018 Lai
 D813,539 S 3/2018 Van Assche
 D817,107 S 5/2018 Larson et al.
 D819,327 S * 6/2018 Jusic D3/217
 D822,987 S 7/2018 Seiders et al.
 D822,997 S 7/2018 Seiders et al.
 D822,999 S 7/2018 Seiders et al.
 D823,602 S 7/2018 Seiders et al.

D825,276 S 8/2018 Seiders et al.
 2005/0263432 A1 * 12/2005 Hanson A45C 11/20
 206/545
 2006/0065500 A1 * 3/2006 Herrig A45C 7/0077
 190/107

2008/0142558 A1 6/2008 Dexter
 2013/0322786 A1 12/2013 Nassanian
 2014/0248003 A1 9/2014 Mogil et al.
 2014/0270591 A1 9/2014 Joly
 2016/0206061 A1 7/2016 Ford
 2016/0278491 A1 9/2016 Amago
 2017/0036844 A1 2/2017 Seiders et al.

FOREIGN PATENT DOCUMENTS

CA	150323	12/2013
CA	150461	12/2013
CN	302623928	11/2013
CN	302852751	6/2014
CN	302946709	9/2014
CN	303092550	2/2015
CN	303620433	3/2016
EA	002520213-0005	8/2014
EM	002307702-0003	9/2013
EM	002333591-0015	10/2013
EM	002348797-0001	11/2013
EM	002309591-0001	12/2013
EM	002309591-0002	12/2013
EM	002309591-0003	12/2013
EM	002309591-0005	12/2013
EM	002309591-0006	12/2013
EM	002309591-0007	12/2013
EM	002309591-0008	12/2013
EM	002309591-0009	12/2013
EM	002599944-0001	1/2015
EM	002629964-0001	2/2015
EM	002119362-0001	4/2015
EM	002639724-0002	5/2015
EM	002734988-0003	7/2015
EM	002734988-0004	7/2015
EM	002760678-0005	9/2015
EM	002906594-0010	12/2015
EM	003146869-0001	8/2016
EM	003359199-0001	9/2016
EM	003359199-0002	9/2016
GB	4041233	8/2015
JP	D1475659	7/2013
KR	300687326.0000	4/2013
WO	D079659-001	12/2012

OTHER PUBLICATIONS

REI, "Patagonia Black Hole Duffel", First question posted on product page Sep. 2015. (<https://rei.com/product/884915/patagonia-black-hole-duffel-60l>).*
 Gear Junkie, "YETI Enters New Market: Meet the 'Panga' Submersible Duffel", Posted Jun. 29, 2017. (<https://gearjunkie.com/yeti-panga-submersible-duffel-review>) (Year: 2017).*
 Amazon, "Sāk Gear Duffel . . .", First reviewed Jun. 20, 2018. (<https://www.amazon.com/dp/B07D1GVCC4/>) (Year: 2018).*
 Amazon, "Seattle Sports FrostPak Soft Cooler", First reviewed Jun. 17, 2014, Accessed Jan. 31, 2016. (<https://www.amazon.com/Seattle-Sports-FrostPak-Soft-Cooler/dp/BOOLGZ28FI>).
 Kuiu, "TAKU 3000", Accessed May 10, 2017. (<http://www.kuiu.com/gear-bags/taku-3000/96004.html>).
 Amazon, "Seattle Sports Seattle Sports Downstream Duffel", First reviewed Oct. 26, 2009. Accessed Sep. 27, 2017. (<https://www.amazon.com/Seattle-Sports-FrostPak-Soft-Cooler/dp/BOOLGZ28FI>).
 Seattle Sports, "Wet/Dry Toploader Duffel", Accessed Sep. 27, 2017. (<http://www.seattlesportsco.com/custom-gear/wetdry-toploader-duffel.html>).
 Rei, "Patagonia Black Hole Duffel—60L", First reviewed "two years ago". (<https://www.rei.com/product/884915/patagonia-black-hole-duffel-60l>) (Year: 2016).

(56)

References Cited

OTHER PUBLICATIONS

Gear Junkie, "YETI Enters New Market: Meet the 'Panga' Submersible Duffel", Posted on Jun. 29, 2017. (<http://gearjunkie.com/yeti-panga-submersible-duffel-review>) (Year: 2017).

Amazon, "Säk Gear DuffelS?k Pro Waterproof Duffel Bag", First reviewed Jun. 20, 2018. (<https://www.amazon.com/dp/B07D1GVCC4/>) (Year: 2018).

* cited by examiner

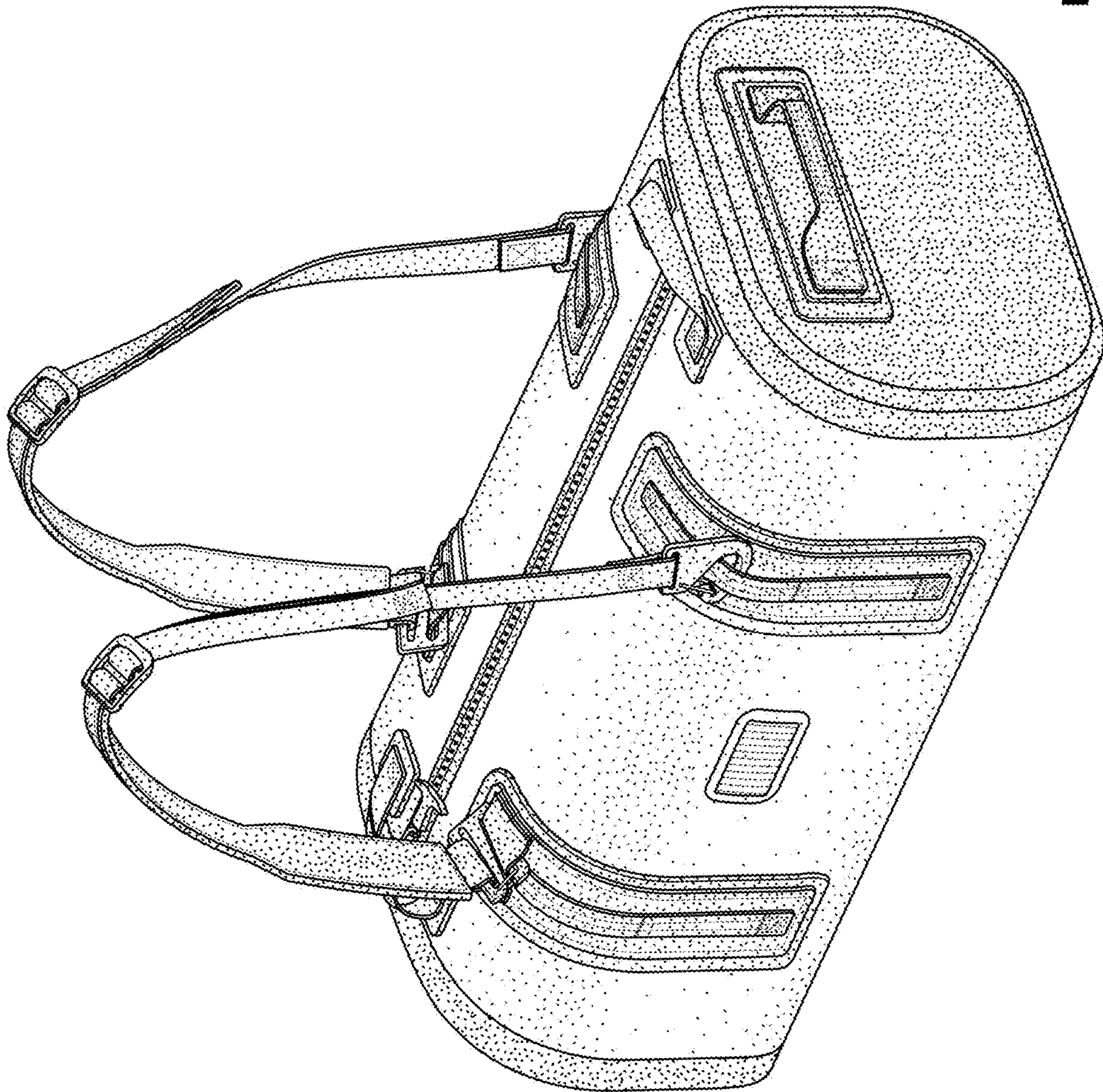


FIG. 1

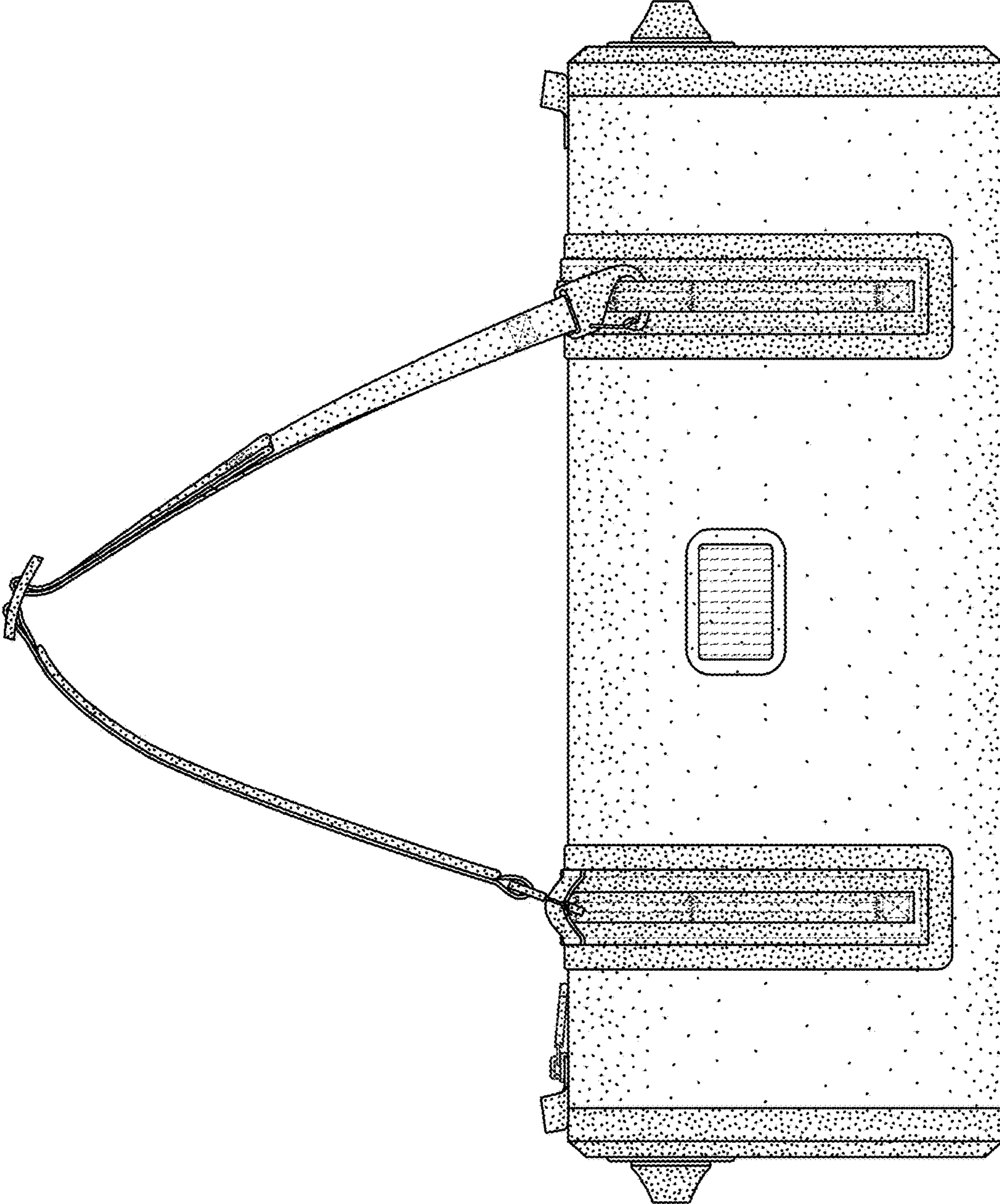


FIG. 2

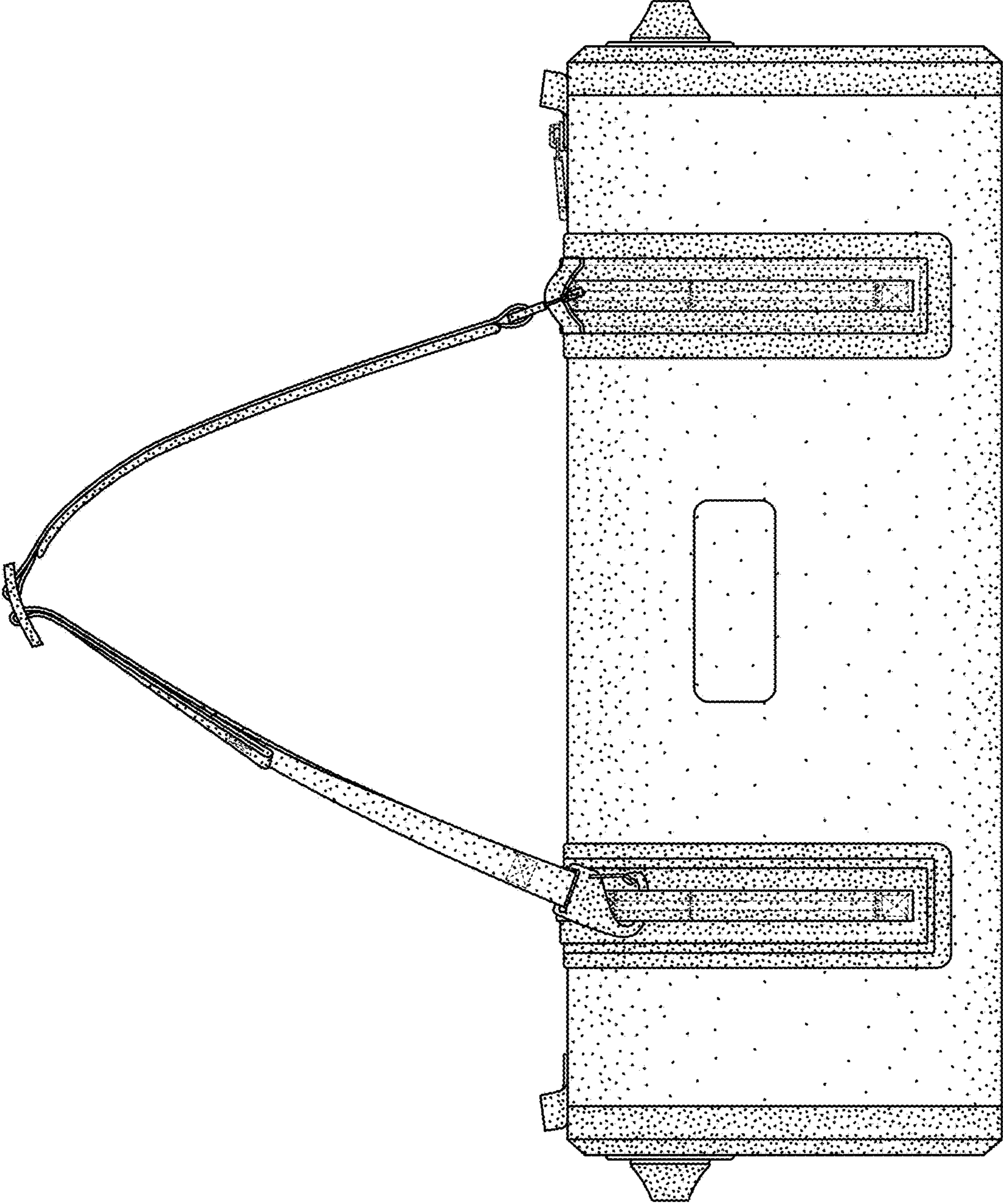


FIG. 3

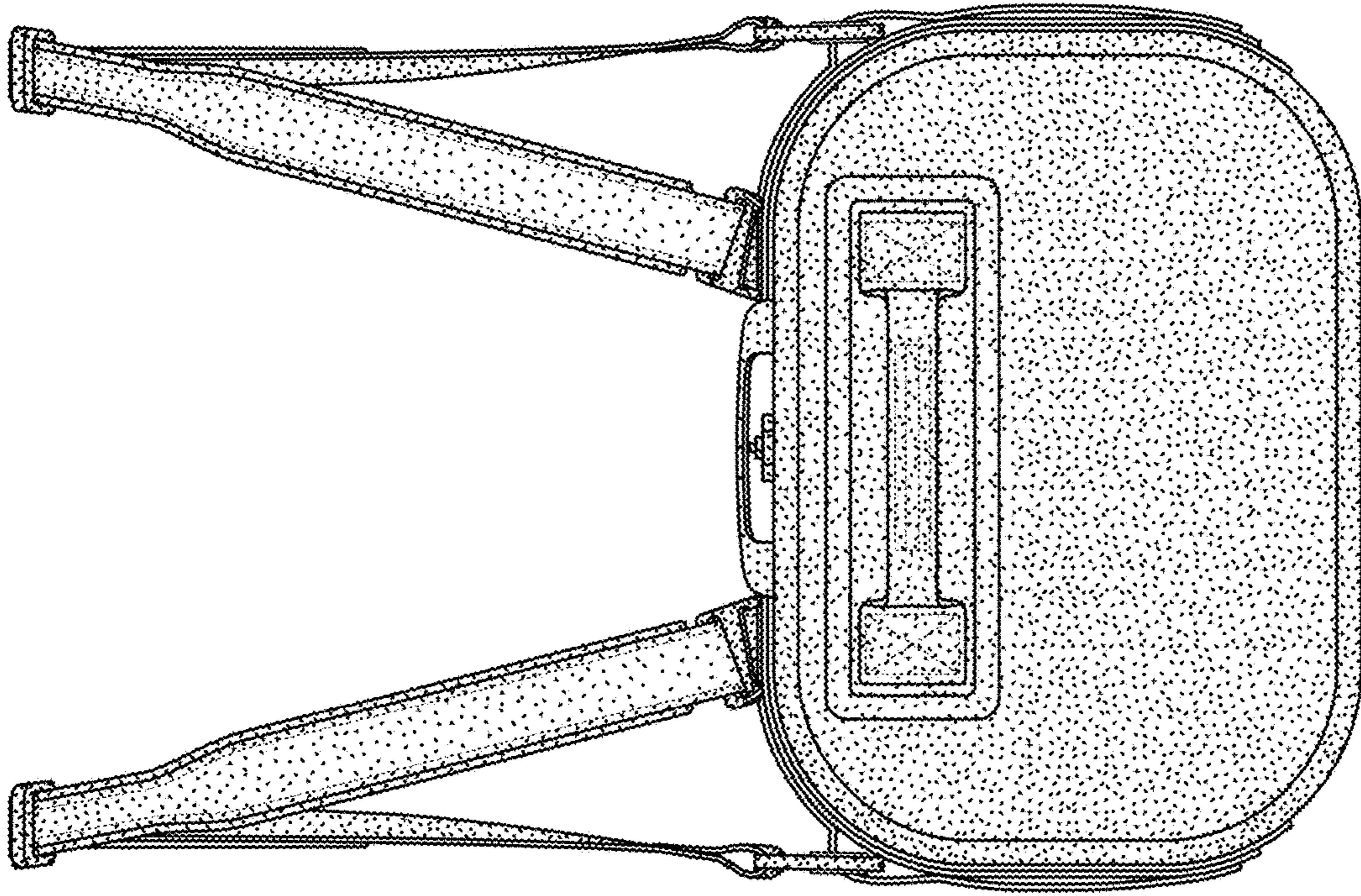


FIG. 5

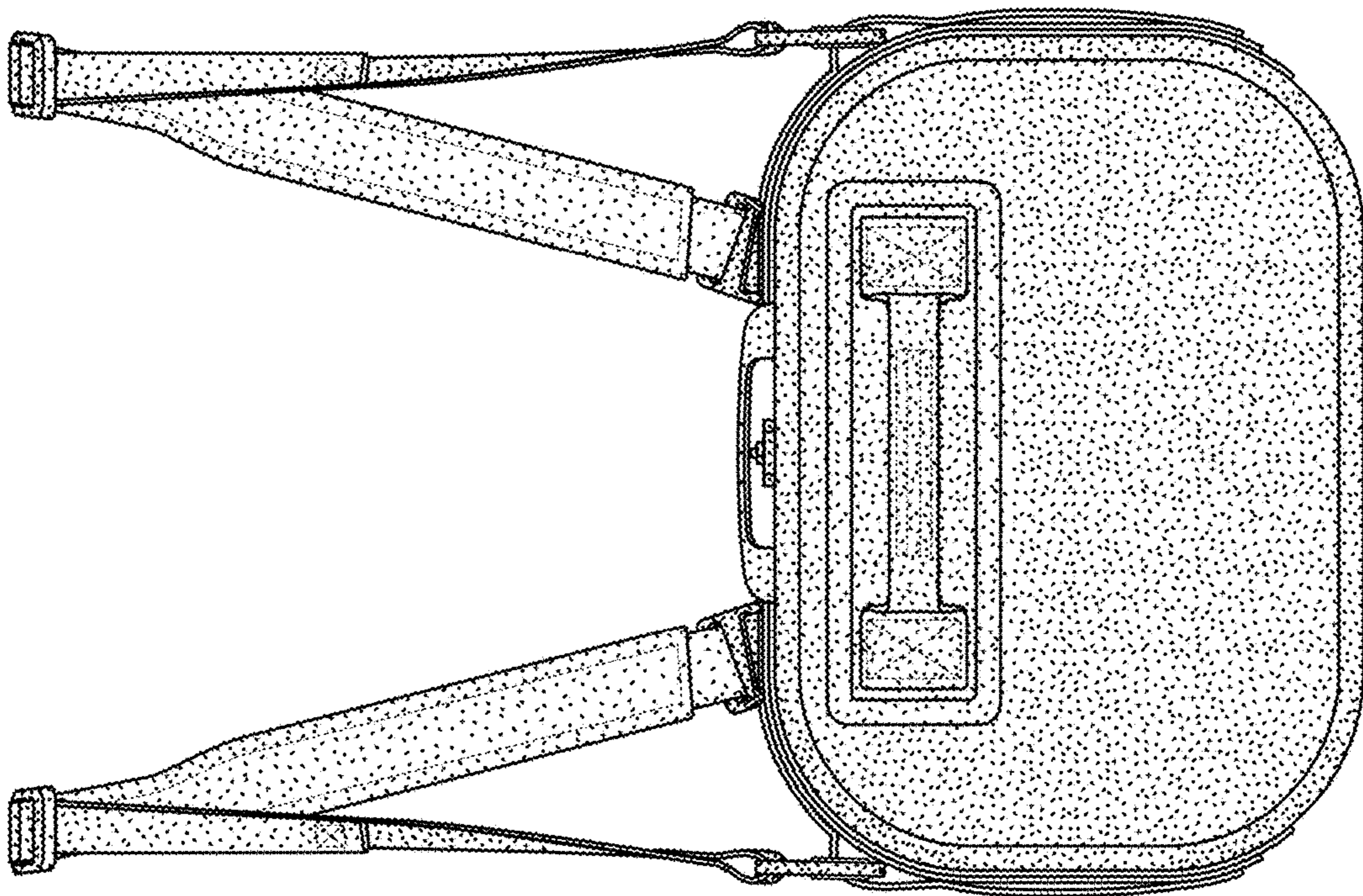


FIG. 4

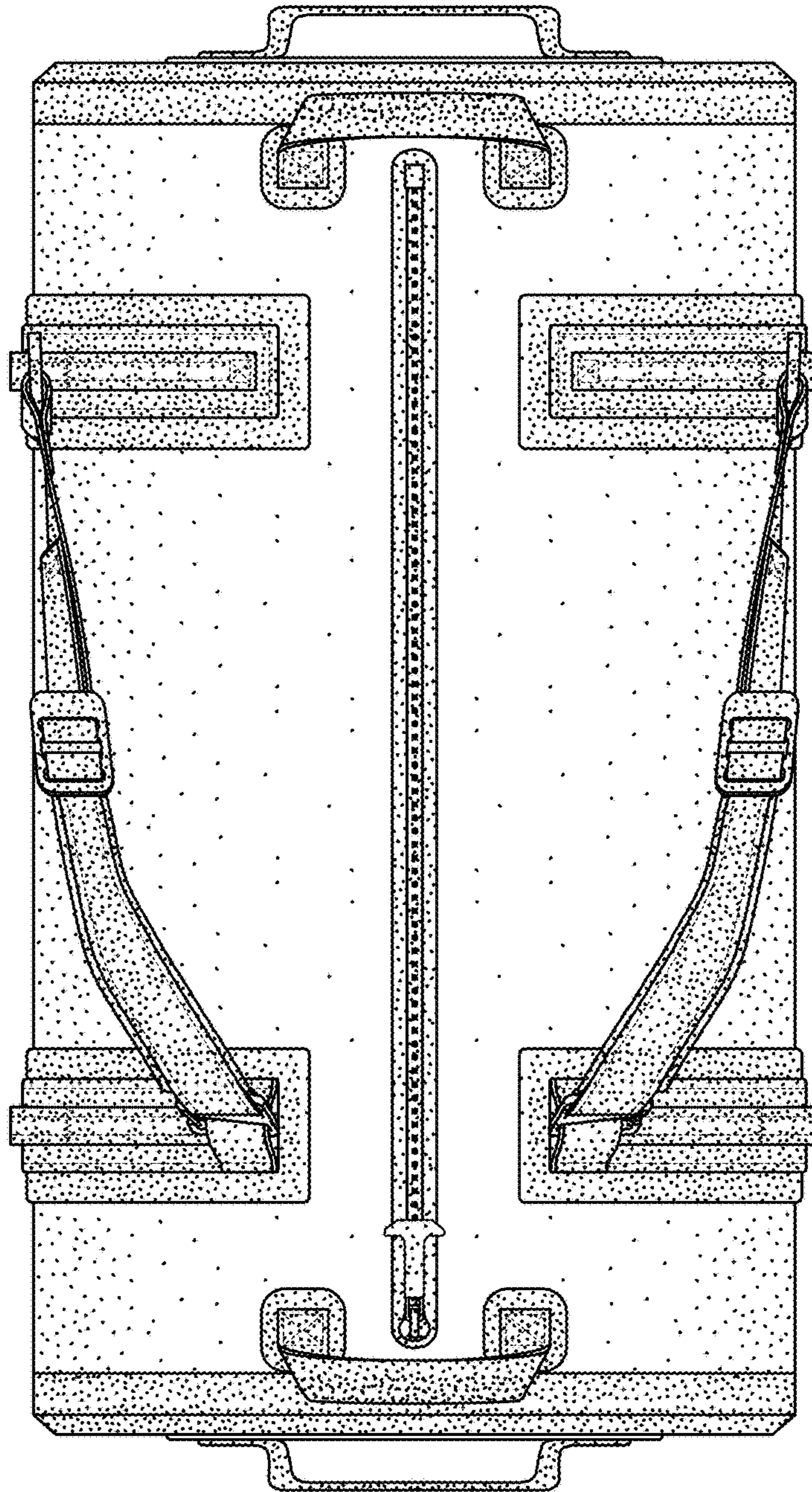


FIG. 6

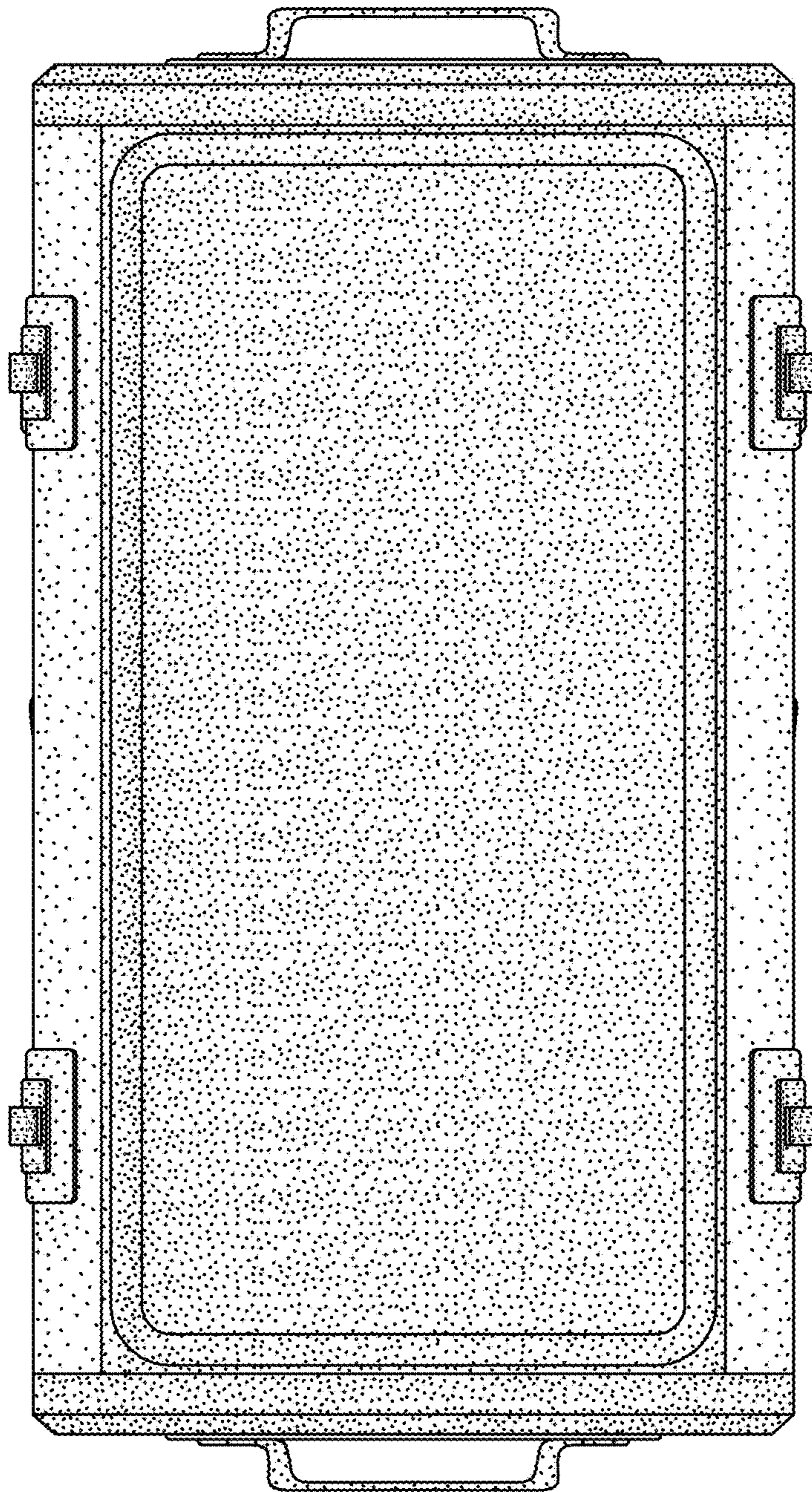


FIG. 7