

US00D851399S

(12) **United States Design Patent** (10) **Patent No.:** **US D851,399 S**  
**Sarfati et al.** (45) **Date of Patent:** **\*\* Jun. 18, 2019**

(54) **ORGANIZER**

(71) Applicant: **The Stanley Works Israel Ltd.**, Rosh Ha'Ayin (IL)

(72) Inventors: **Boaz Sarfati**, Rosh Ha'ayin (IL);  
**Yaron Shpitzer**, Rishon Le Tsiyon (IL);  
**Mark Bensman**, Rosh Ha'Ayin (IL)

(73) Assignee: **The Stanley Works Israel Ltd.**, Rosh 'Ha'Ayin (IL)

(\*\*) Term: **15 Years**

(21) Appl. No.: **29/610,972**

(22) Filed: **Jul. 18, 2017**

**Related U.S. Application Data**

(62) Division of application No. 29/559,626, filed on Mar. 30, 2016, now Pat. No. Des. 795,579.

(51) **LOC (11) Cl.** ..... **03-01**

(52) **U.S. Cl.**  
USPC ..... **D3/282**; D3/905

(58) **Field of Classification Search**  
USPC ..... D3/203.2, 203.3, 203.6, 205, 273, 279,  
D3/276, 284, 294, 302, 901, 903, 905,  
D3/298

CPC ..... B25H 3/00; B25H 3/003; B25H 3/006;  
B25H 3/02; B25H 3/022

See application file for complete search history.

(56) **References Cited**

**U.S. PATENT DOCUMENTS**

D358,765 S \* 5/1995 Dickinson ..... D3/279  
D374,771 S \* 10/1996 Guegan ..... D3/276  
D572,479 S \* 7/2008 Buck ..... D3/282  
D599,112 S \* 9/2009 Wenchel ..... D3/294  
D639,059 S \* 6/2011 Fraiman ..... D3/282  
8,602,217 B2 \* 12/2013 Sosnovsky ..... B25H 3/021  
206/503

D703,437 S \* 4/2014 Bar-Erez ..... D3/282  
D719,352 S \* 12/2014 Shitrit ..... D3/282  
D725,388 S \* 3/2015 Cole ..... D3/282  
D738,622 S \* 9/2015 Sabbag ..... D3/282  
D753,394 S \* 4/2016 Brunner ..... D3/276  
D794,954 S \* 8/2017 Lee ..... D3/282  
D795,579 S \* 8/2017 Sarfati ..... D3/294

**OTHER PUBLICATIONS**

Home Depot, "DEWALT 20-Compartment Pro Small Parts Organizer", First reviewed Aug. 9, 2017. (<https://www.homedepot.com/p/DEWALT-20-Compartment-Pro-Small-Parts-Organizer-DWST14830/301869332>).\*

Home Depot, "Stack-On 10-Compartment Deep Cup Parts Small Parts Organizer", First reviewed Jul. 14, 2017. (<https://www.homedepot.com/p/Stack-On-10-Compartment-Deep-Cup-Parts-Small-Parts-Organizer-DCOG-10/204065026>).\*

\* cited by examiner

*Primary Examiner* — Jennifer Rivard

*Assistant Examiner* — April Rivas

(74) *Attorney, Agent, or Firm* — Bruce S. Shapiro

(57) **CLAIM**

The ornamental design for an organizer, as shown and described.

**DESCRIPTION**

FIG. 1 is a perspective view of our new design.

FIG. 2 is a front view thereof.

FIG. 3 is a back view thereof.

FIG. 4 is a top view thereof.

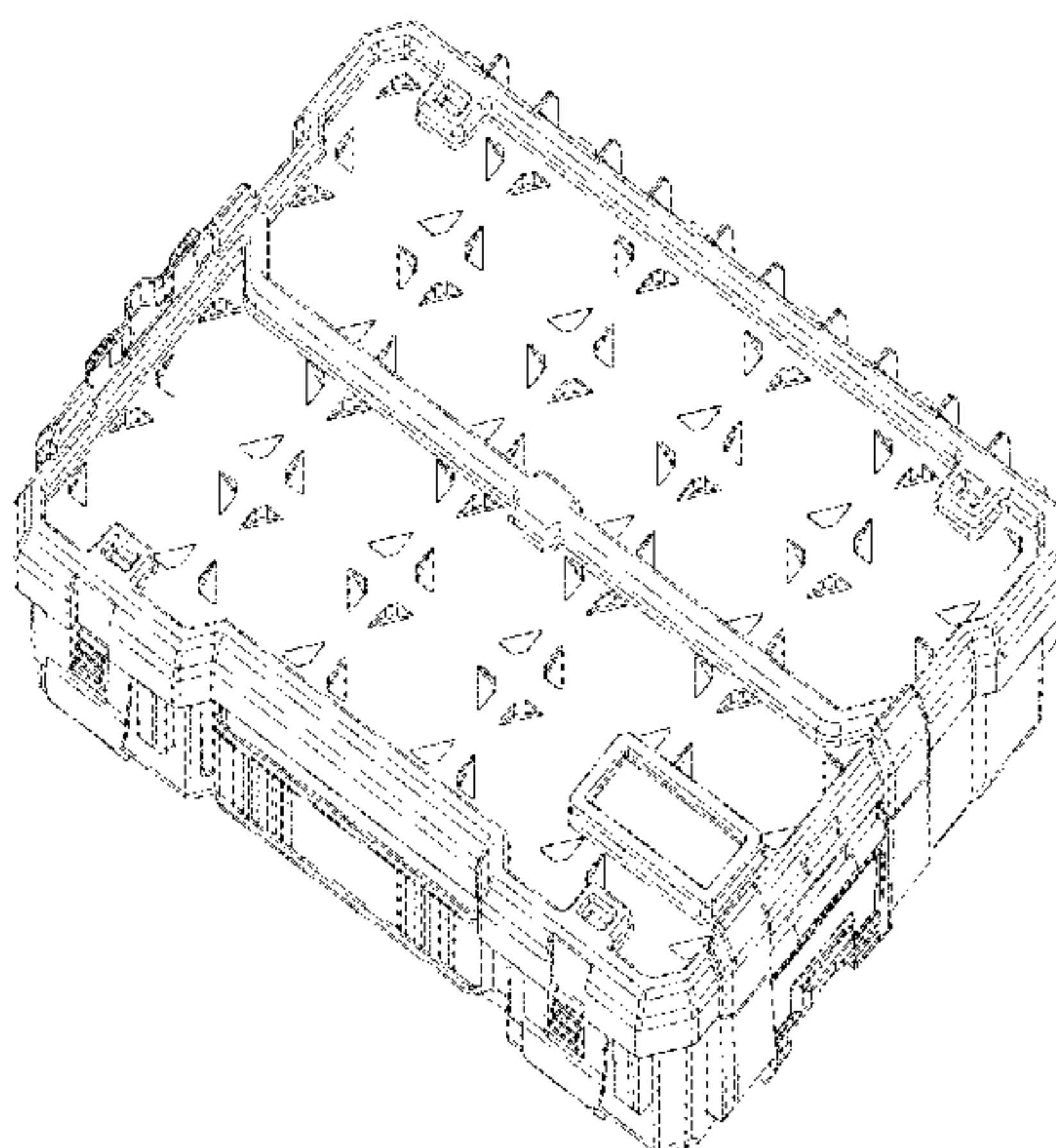
FIG. 5 is a bottom view thereof.

FIG. 6 is a right side view thereof; and,

FIG. 7 is a left side view thereof.

The broken lines illustrate portions of the organizer and form no part of the design claimed.

**1 Claim, 7 Drawing Sheets**



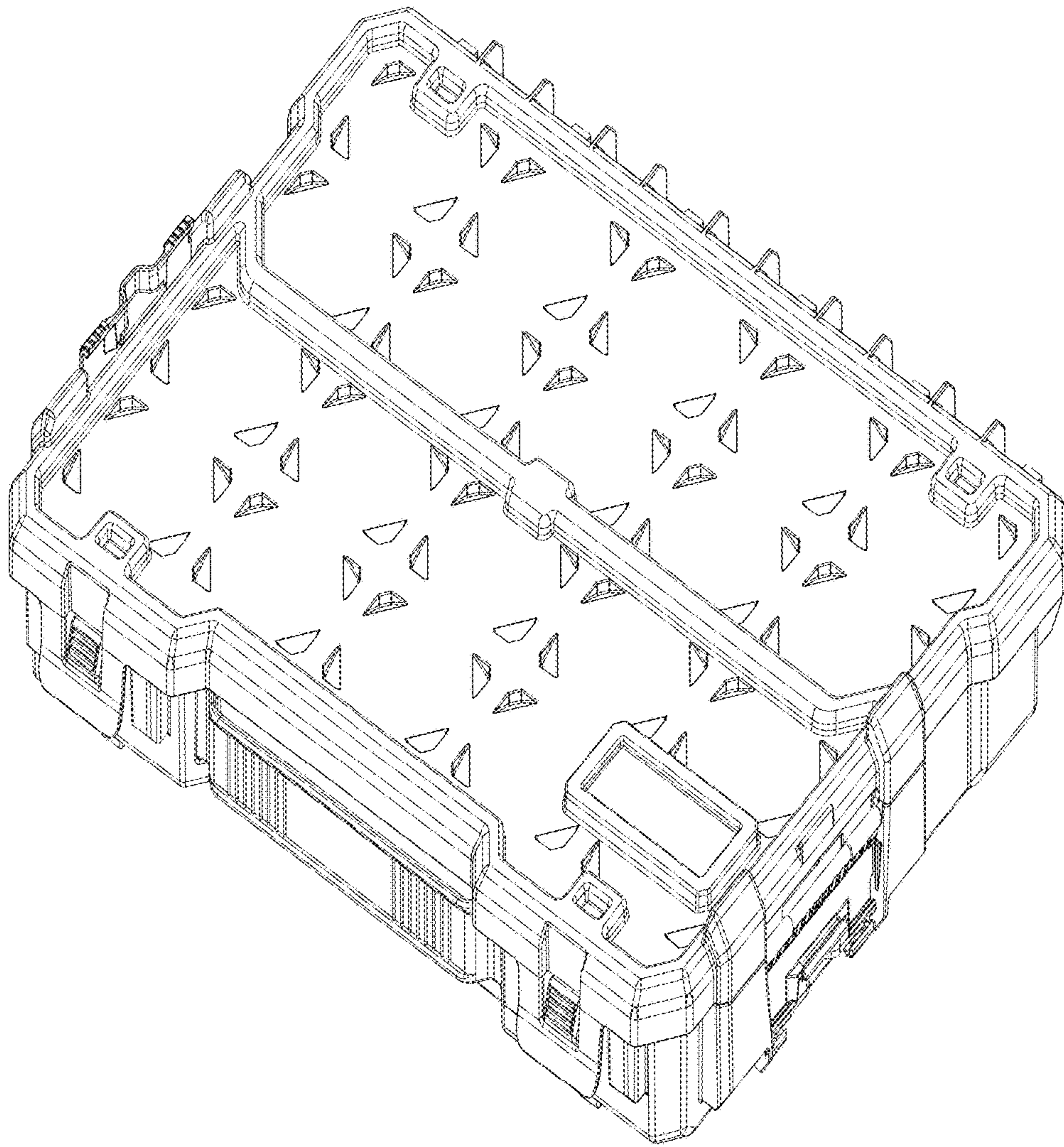


FIG. 1

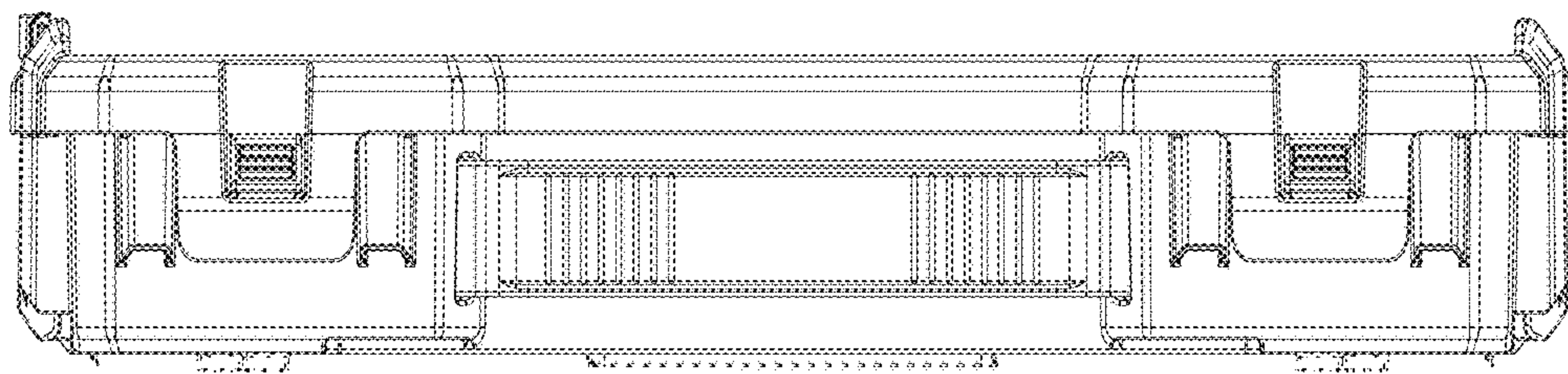


FIG. 2



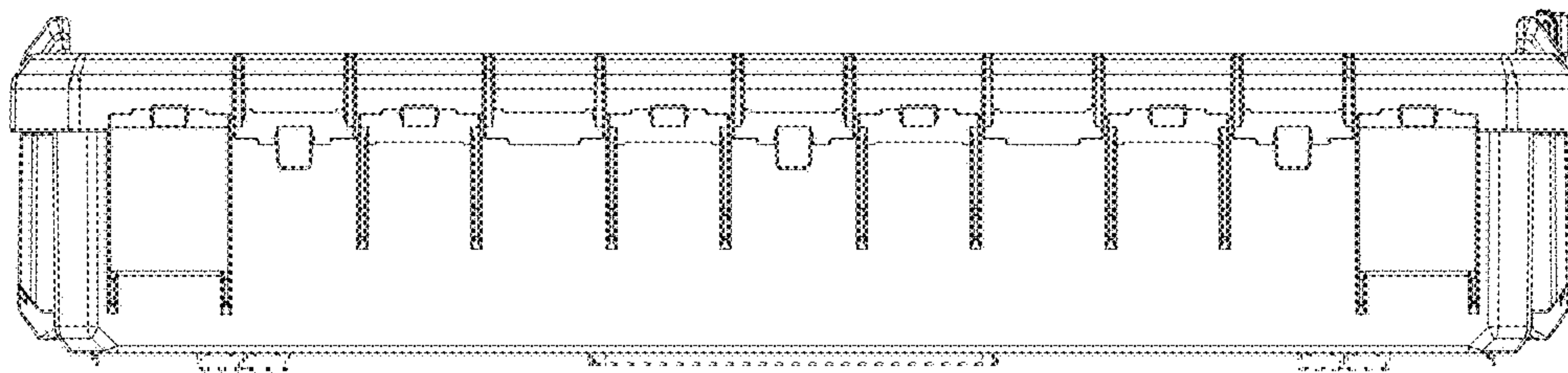


FIG. 3

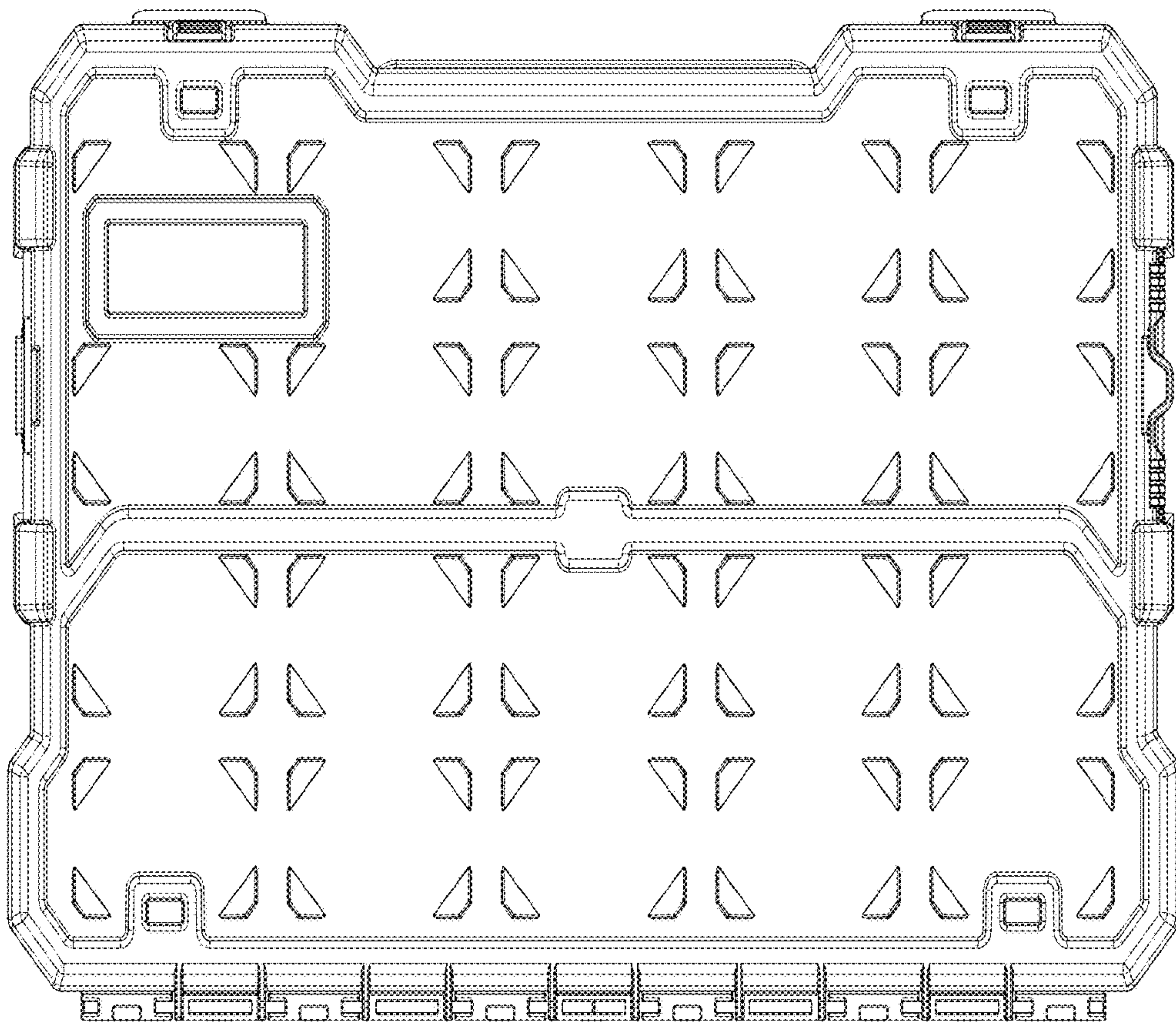


FIG. 4

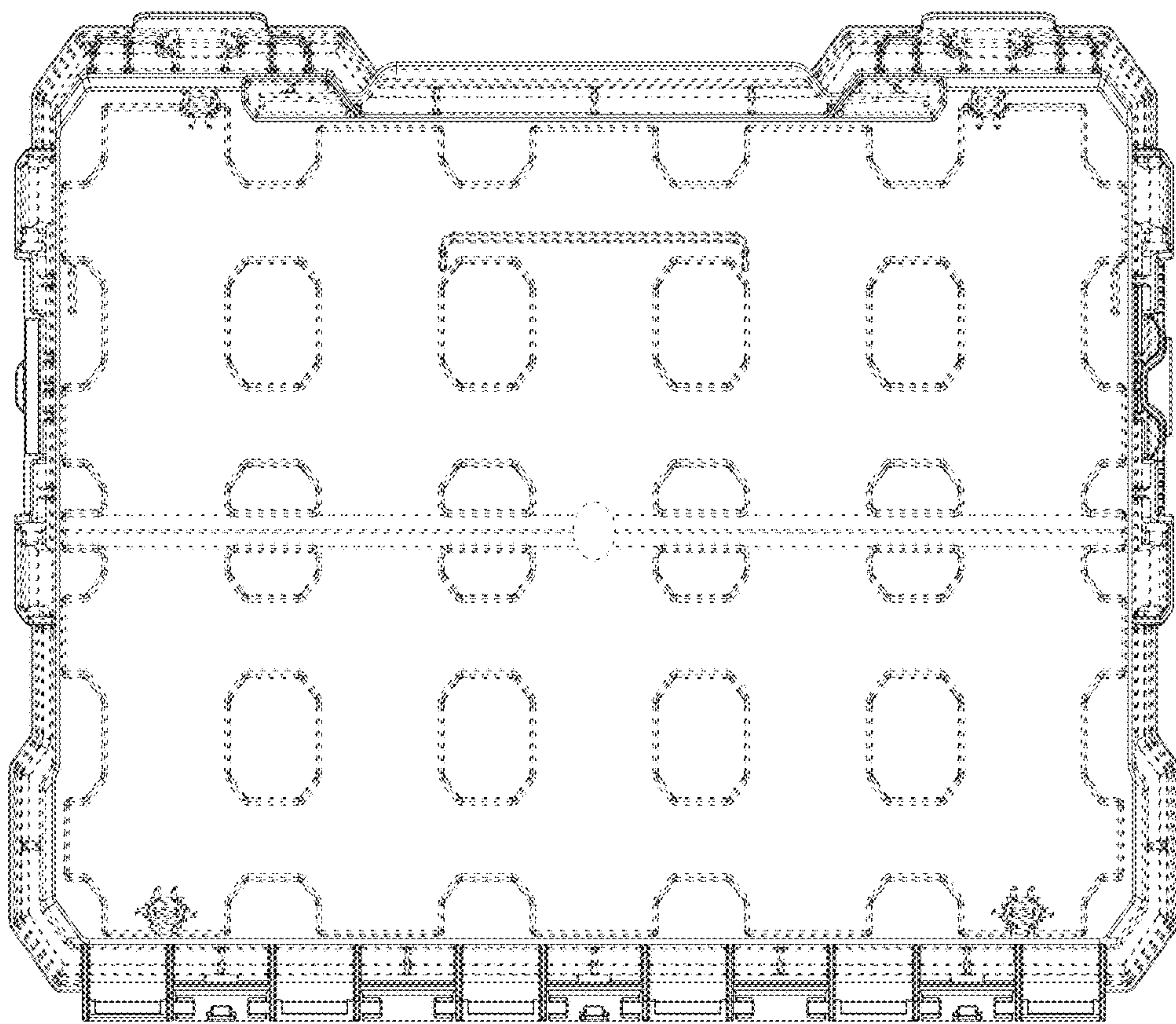


FIG. 5

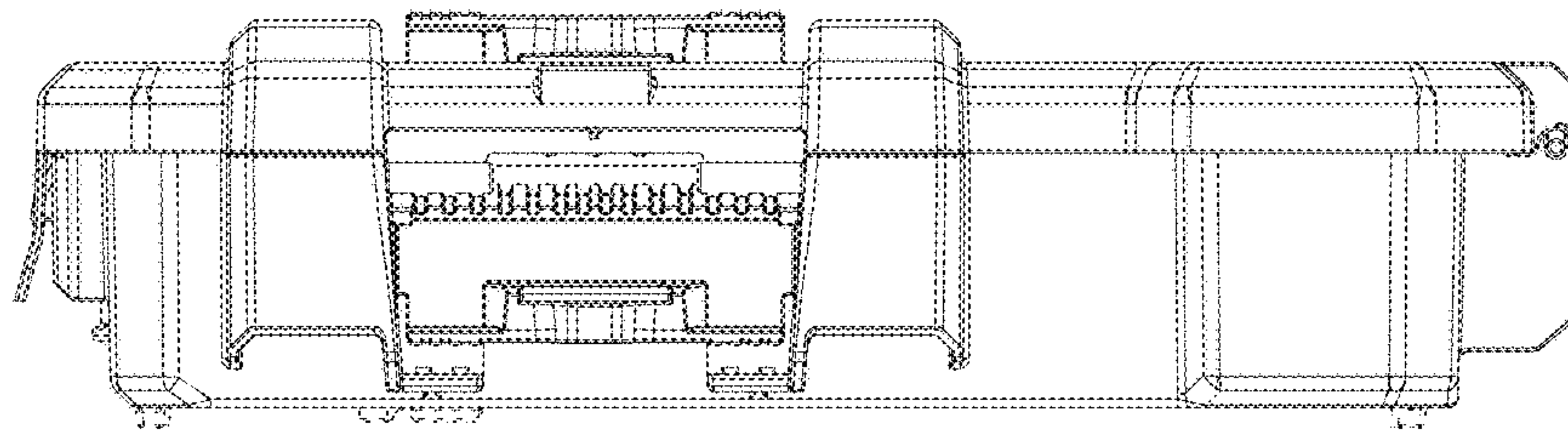


FIG. 6

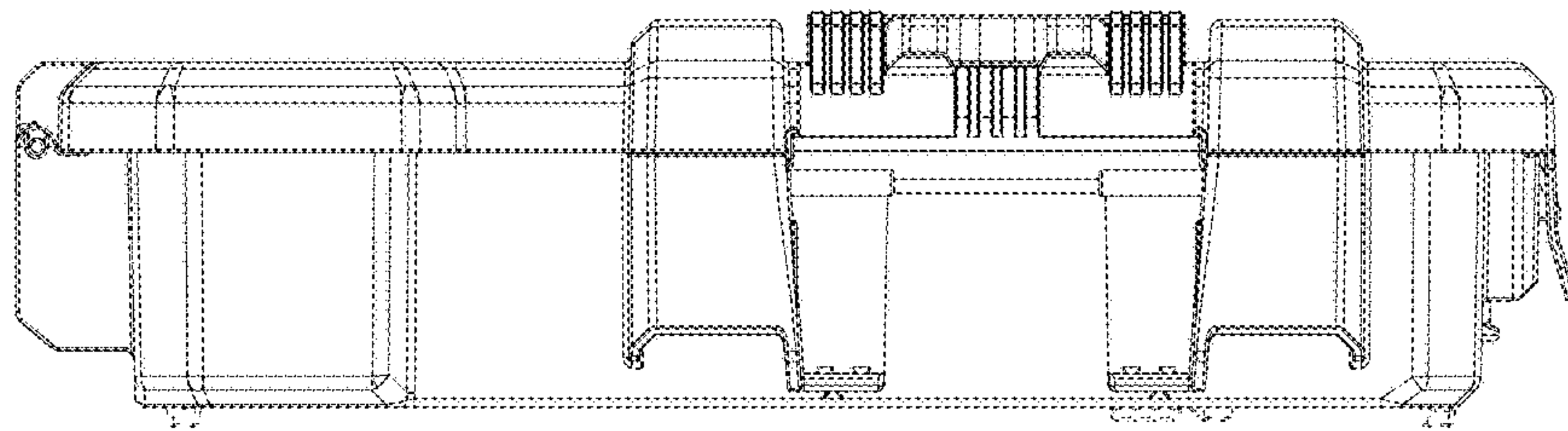


FIG. 7