



US00D851398S

(12) **United States Design Patent** (10) **Patent No.:** **US D851,398 S**
Li (45) **Date of Patent:** **** Jun. 18, 2019**

(54) **MESSENGER BAG**

OTHER PUBLICATIONS

(71) Applicant: **XIAMEN WORTHFIND INDUSTRIAL CO., LTD**, Xiamen (CN)

“Visconti Visconti Berlin Leather Twin Buckle Briefcase With Detachable Strap, Blue, One Size”, posted Jun. 14, 2013 [online], [retrieved Dec. 17, 2018]. Retrieved from Internet, <https://www.amazon.com/Visconti-Berlin-Leather-Briefcase-Detachable/dp/B00U06PXSS>.

(72) Inventor: **Jiasong Li**, Xiamen (CN)

* cited by examiner

(73) Assignee: **XIAMEN WORTHFIND INDUSTRIAL CO., LTD.**, Xiamen (CN)

Primary Examiner — Holly H Baynham

(**) Term: **15 Years**

(21) Appl. No.: **29/673,583**

(57) **CLAIM**

(22) Filed: **Dec. 17, 2018**

The ornamental design for a messenger bag, as shown and described.

(30) **Foreign Application Priority Data**

Sep. 21, 2018 (CN) 2018 3 0533641

(51) **LOC (11) Cl.** **03-01**

(52) **U.S. Cl.**
USPC **D3/243**

(58) **Field of Classification Search**
USPC D3/232–233, 240–243, 245–246
CPC A45C 1/024; A45C 3/06
See application file for complete search history.

DESCRIPTION

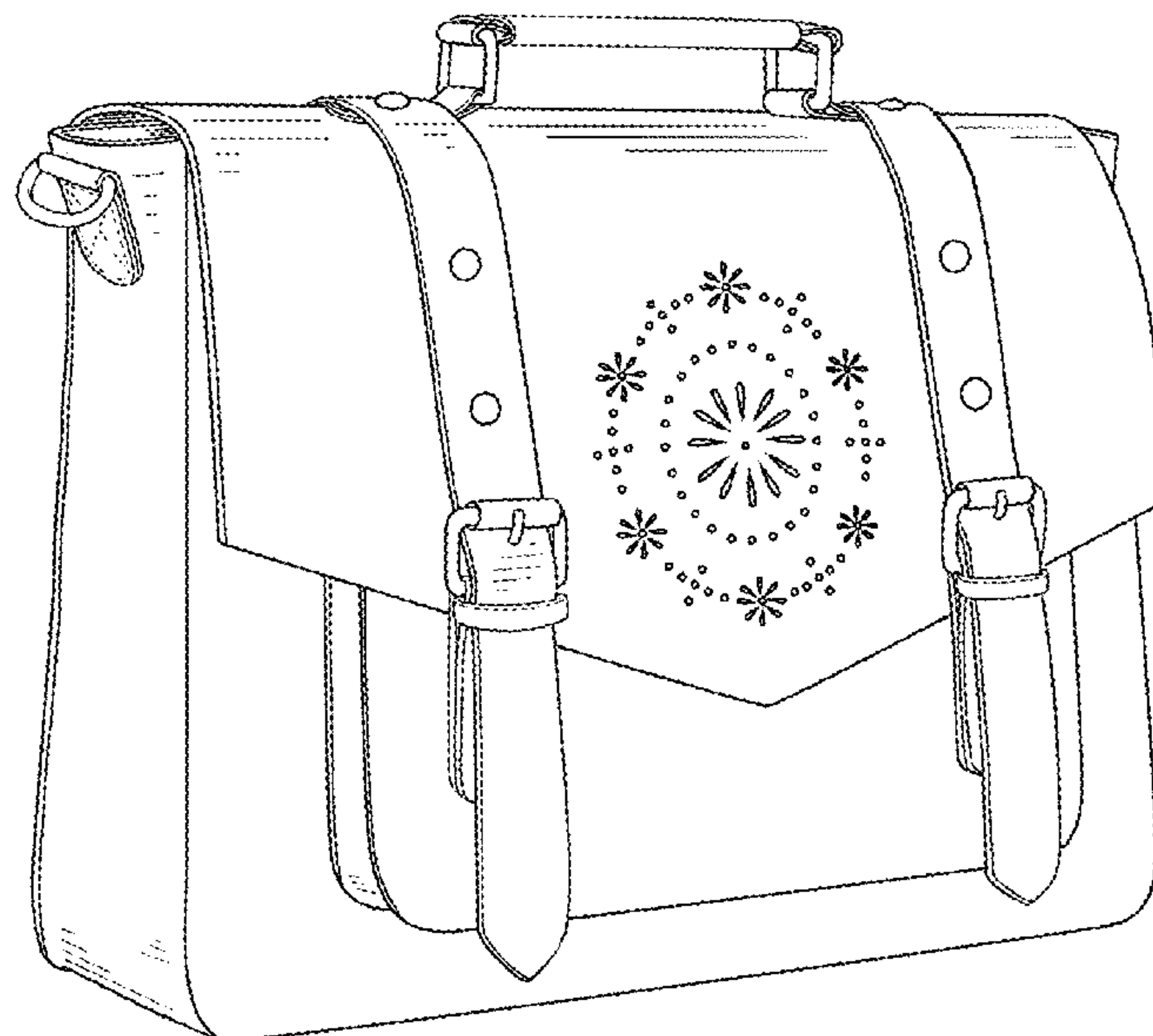
FIG. 1 is a top front perspective view of a messenger bag showing the claimed design;
FIG. 2 is a front view thereof,
FIG. 3 is a top view thereof;
FIG. 4 is a bottom view thereof;
FIG. 5 is a left side view thereof,
FIG. 6 is a right side view thereof;
FIG. 7 is a top front perspective view of the messenger with a strap; and,
FIG. 8 is a front view of the messenger with a strap.
The broken lines in the figures show portions of the messenger bag that form no part of the claimed design.

(56) **References Cited**

U.S. PATENT DOCUMENTS

D624,312 S * 9/2010 Chu D3/243
D648,123 S * 11/2011 Guyon D3/243
D696,860 S * 1/2014 Guyon D3/243
D789,684 S * 6/2017 Michele D3/232

1 Claim, 8 Drawing Sheets



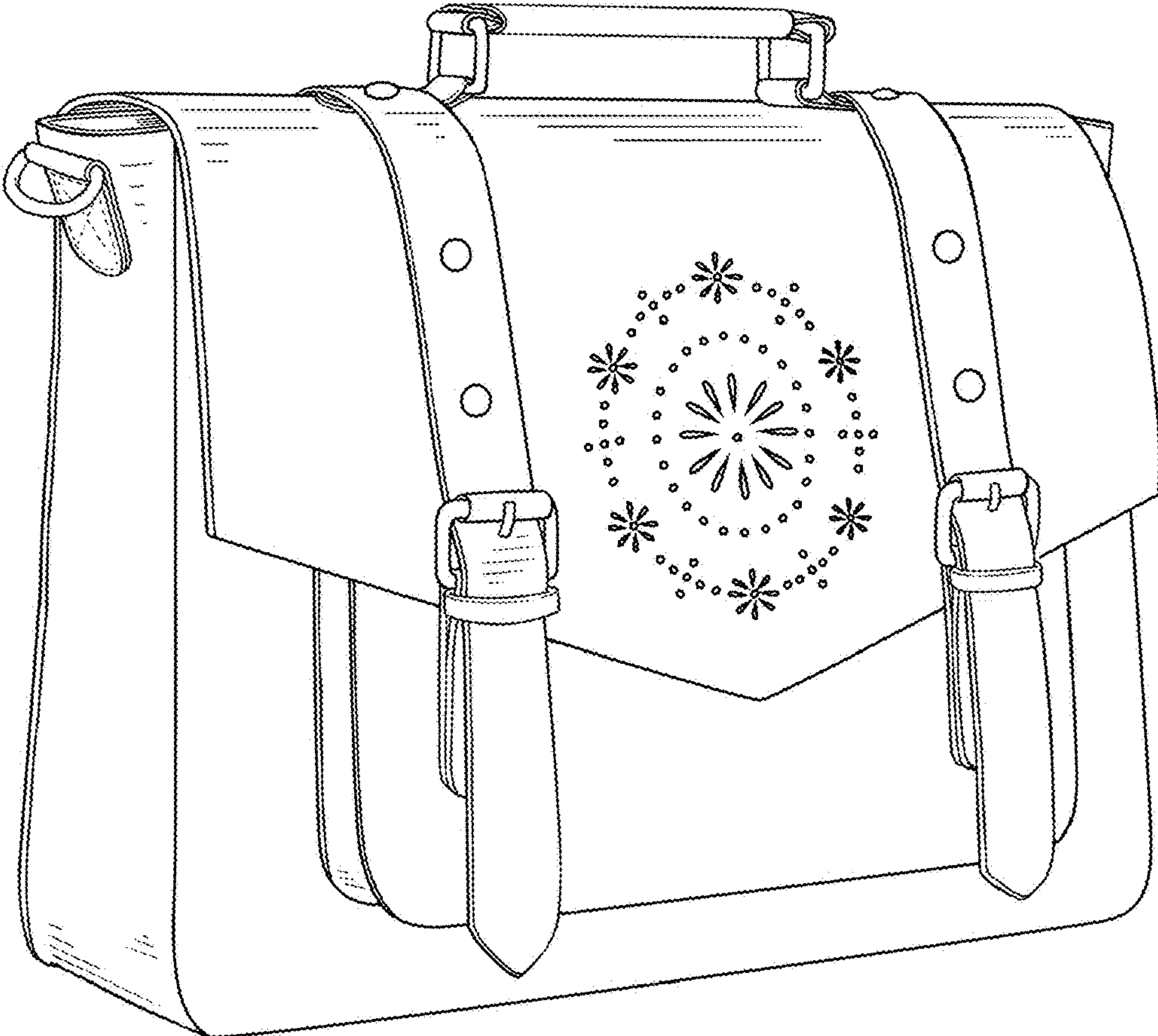


FIG. 1

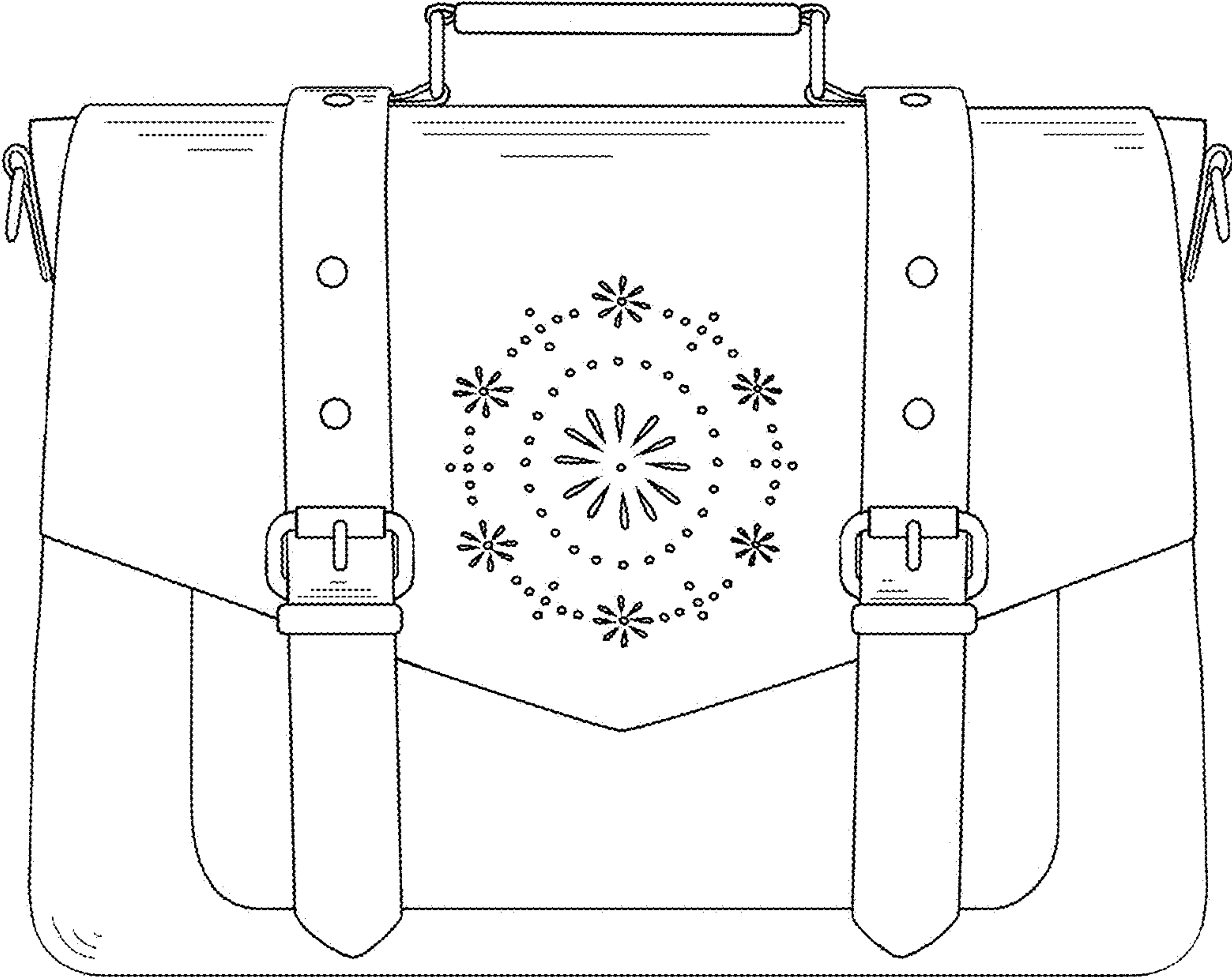


FIG. 2

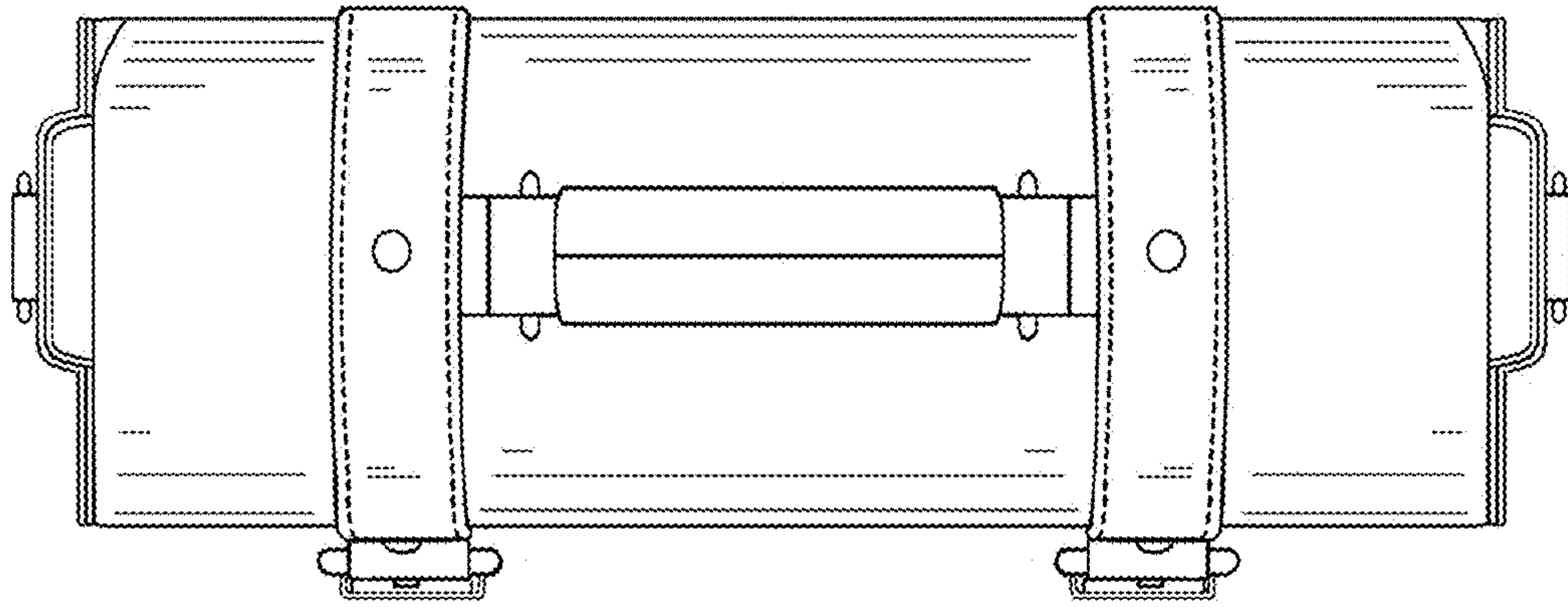


FIG. 3

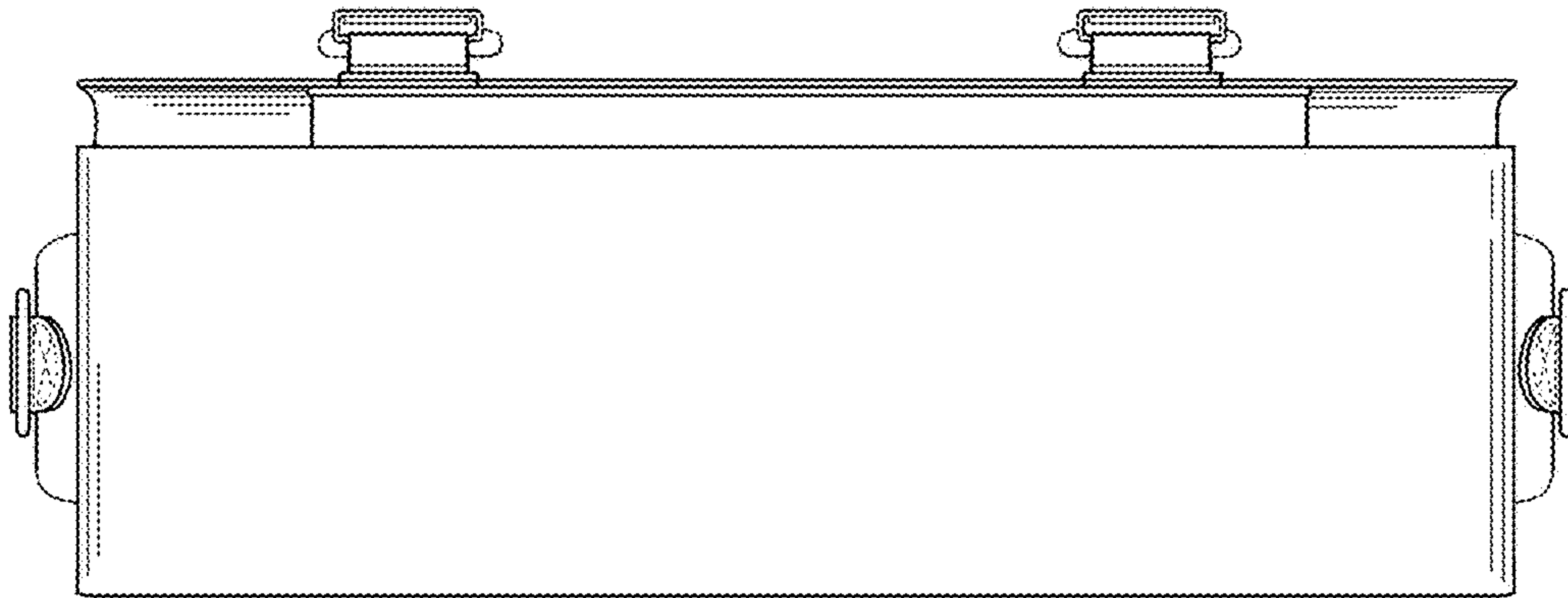


FIG. 4

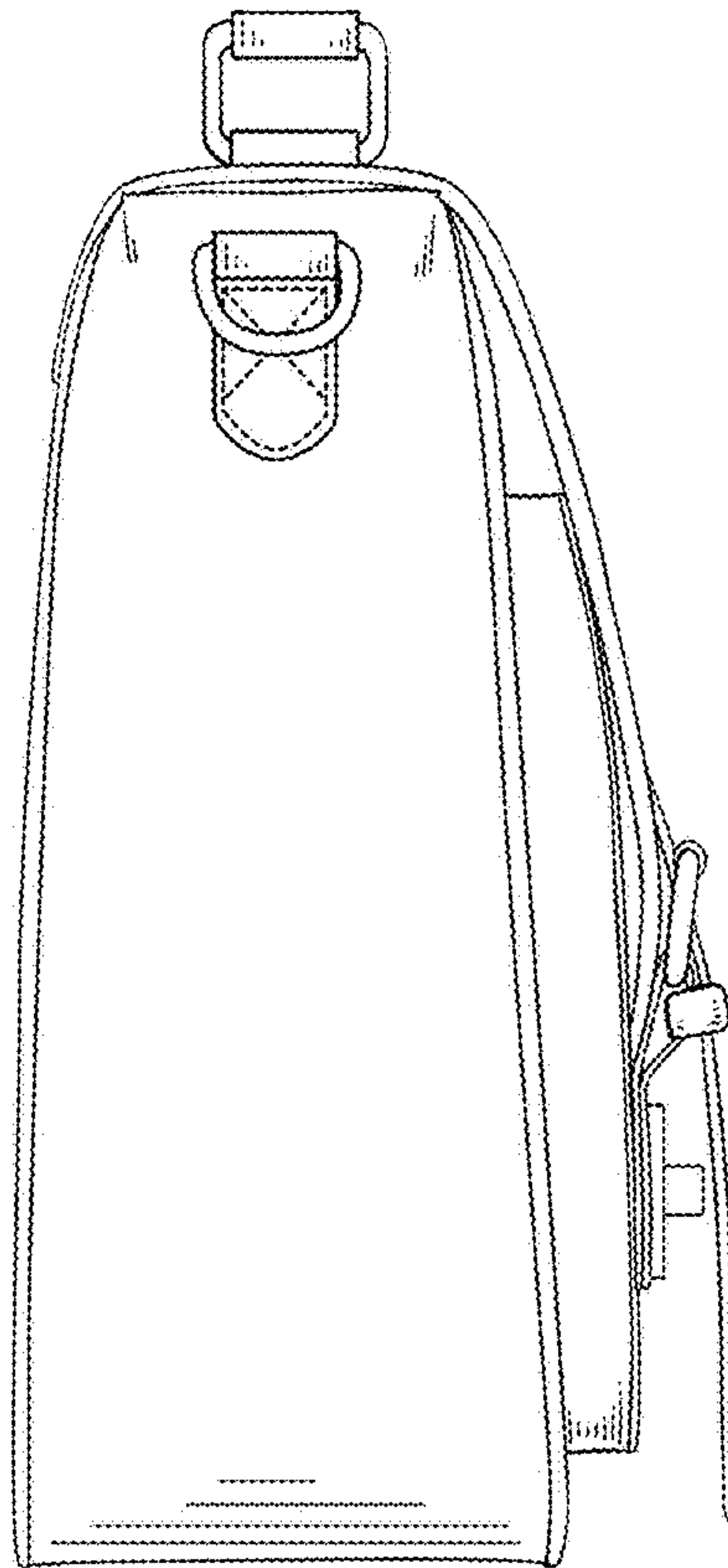


FIG. 5

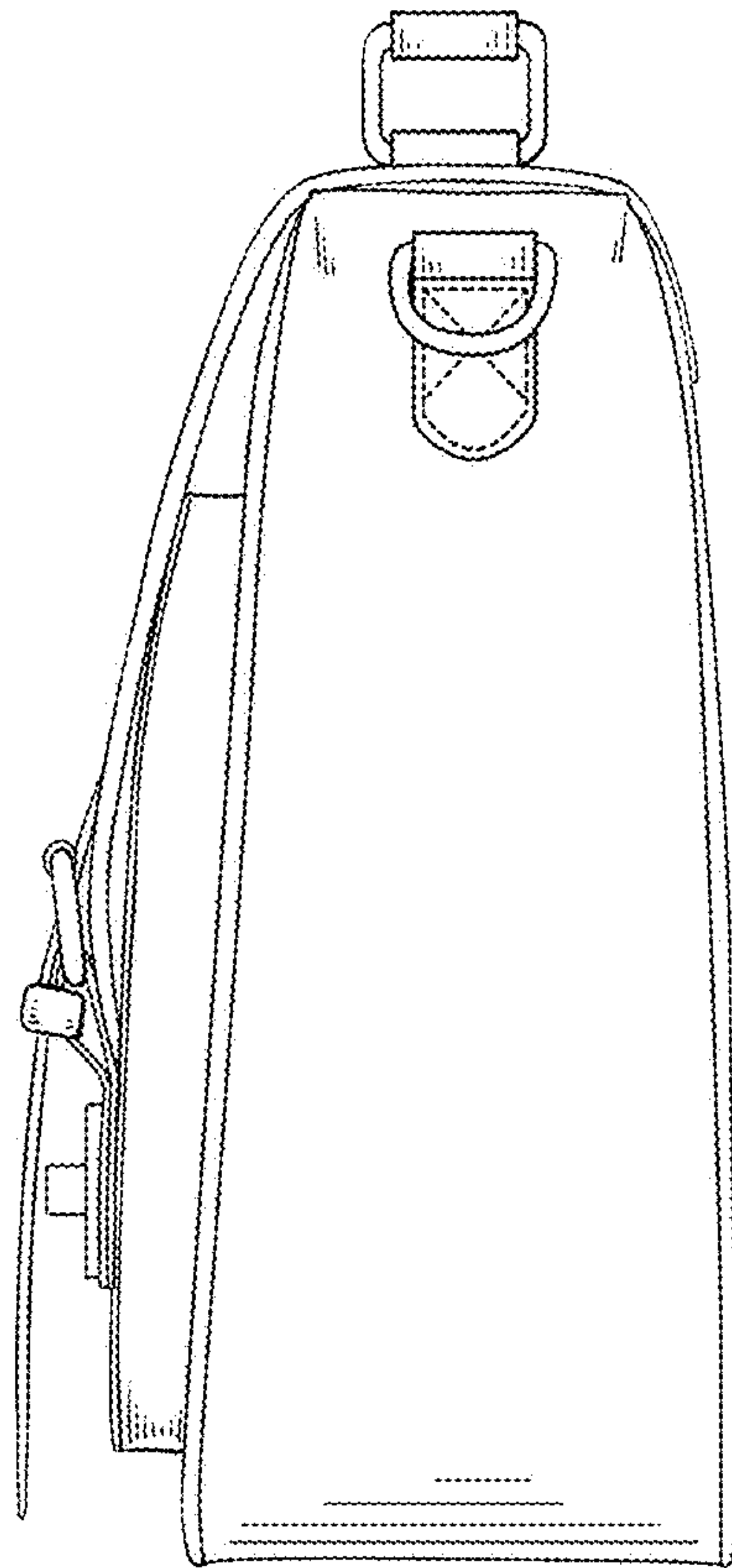


FIG. 6

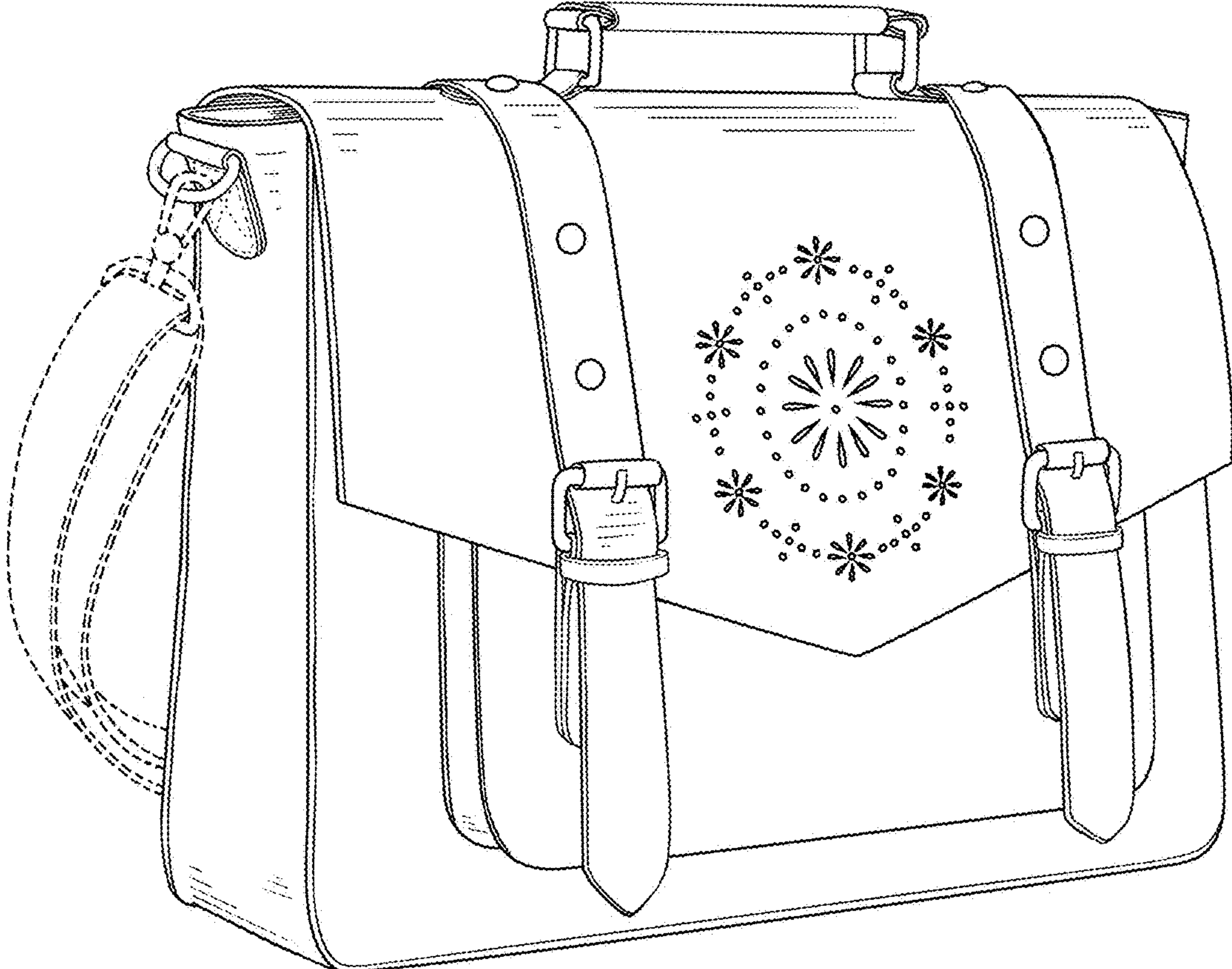


FIG. 7

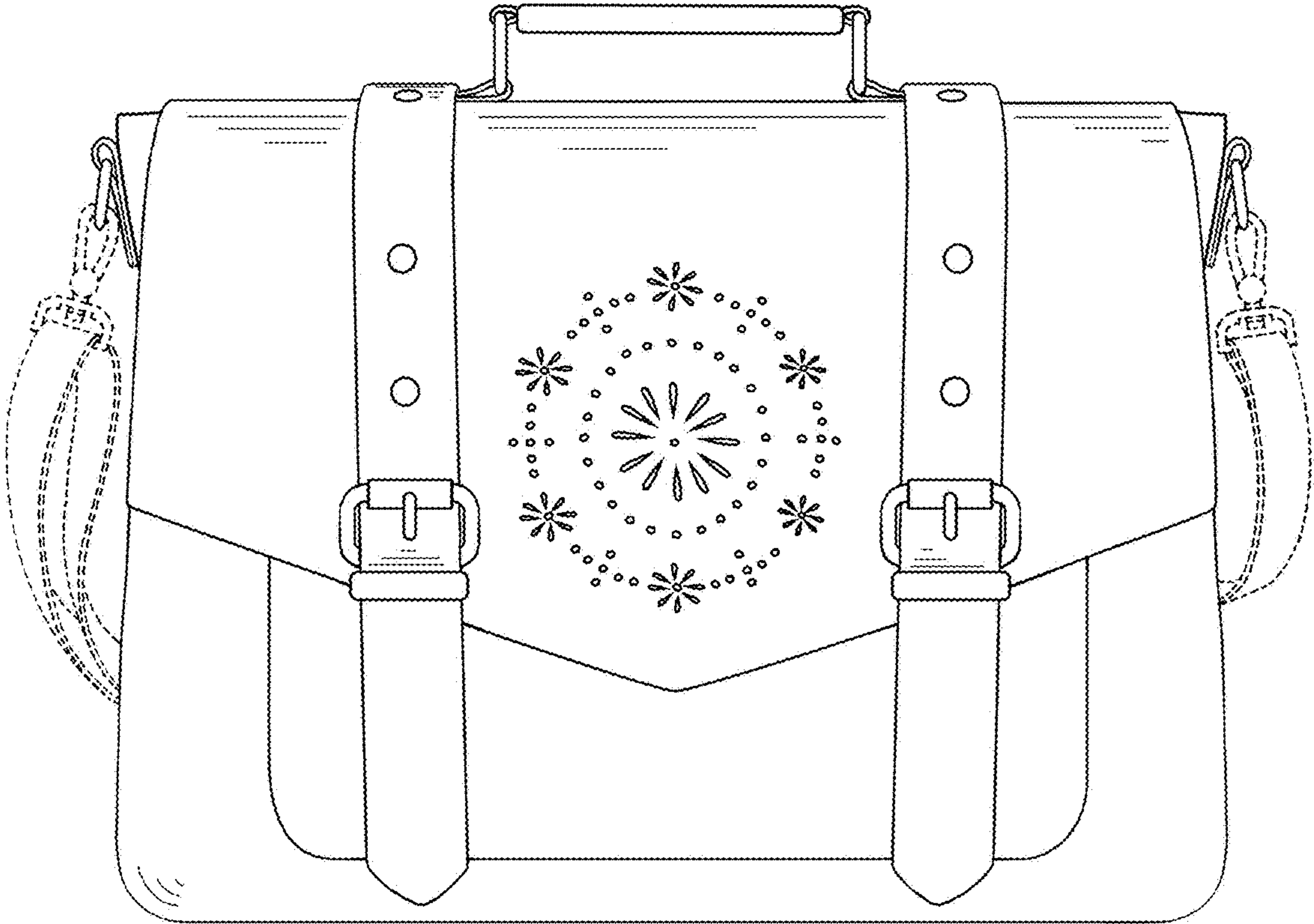


FIG. 8