



US00D851397S

(12) **United States Design Patent** (10) **Patent No.:** **US D851,397 S**
Li (45) **Date of Patent:** **** Jun. 18, 2019**

(54) **MESSENGER BAG**

OTHER PUBLICATIONS

(71) Applicant: **XIAMEN WORTHFIND INDUSTRIAL CO., LTD**, Xiamen (CN)

“ECOSUSI Ladies Briefcase PU Leather Laptop Backpack Shoulder Satchel Computer Bag with Detachable Bow, Brown”, posted Sep. 21, 2017 [online], [retrieved Dec. 17, 2018]. Retrieved from Internet, <https://www.amazon.com/ECOSUSI-Briefcase-Backpack-Shoulder-DetachableS/dp/B07BDJVXFR>.

(72) Inventor: **Jiasong Li**, Xiamen (CN)

* cited by examiner

(73) Assignee: **XIAMEN WORTHFIND INDUSTRIAL CO., LTD**, Xiamen (CN)

Primary Examiner — Holly H Baynhm

(**) Term: **15 Years**

(57) **CLAIM**

(21) Appl. No.: **29/673,582**

The ornamental design for a messenger bag, as shown and described.

(22) Filed: **Dec. 17, 2018**

(30) **Foreign Application Priority Data**

DESCRIPTION

Sep. 21, 2018 (CN) 2018 3 0533641

(51) **LOC (11) Cl.** **03-01**

(52) **U.S. Cl.**
USPC **D3/243**

(58) **Field of Classification Search**
USPC D3/232–233, 240–243, 245–246
CPC A45C 1/024; A45C 3/06
See application file for complete search history.

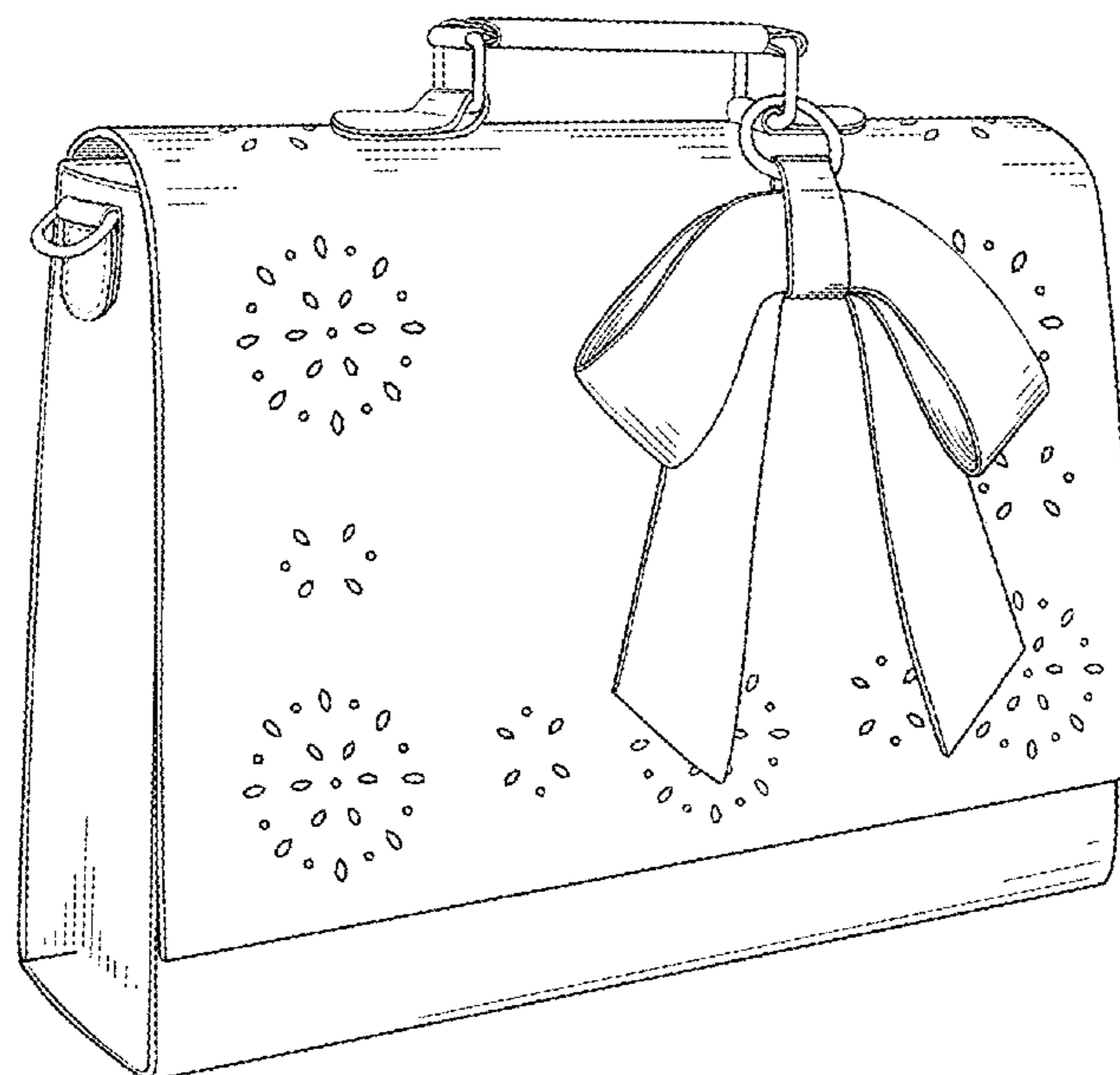
FIG. 1 is a top front perspective view of a messenger bag showing the claimed design;
FIG. 2 is a front view thereof;
FIG. 3 is a rear view thereof
FIG. 4 is a top view thereof;
FIG. 5 is a bottom view thereof;
FIG. 6 is a left view thereof;
FIG. 7 is a right view thereof;
FIG. 8 is a top front perspective view of the messenger bag with a strap; and,
FIG. 9 is a front view of the messenger bag with a strap.
The broken lines in the figures show portions of the messenger bag that form no part of the claimed design.

(56) **References Cited**

U.S. PATENT DOCUMENTS

D139,371 S	*	11/1944	Rubin	D2/866
D147,477 S	*	9/1947	Shanzer	383/66
D151,439 S	*	10/1948	Ewing	D3/234
D830,690 S	*	10/2018	Sassi	D3/232

1 Claim, 9 Drawing Sheets



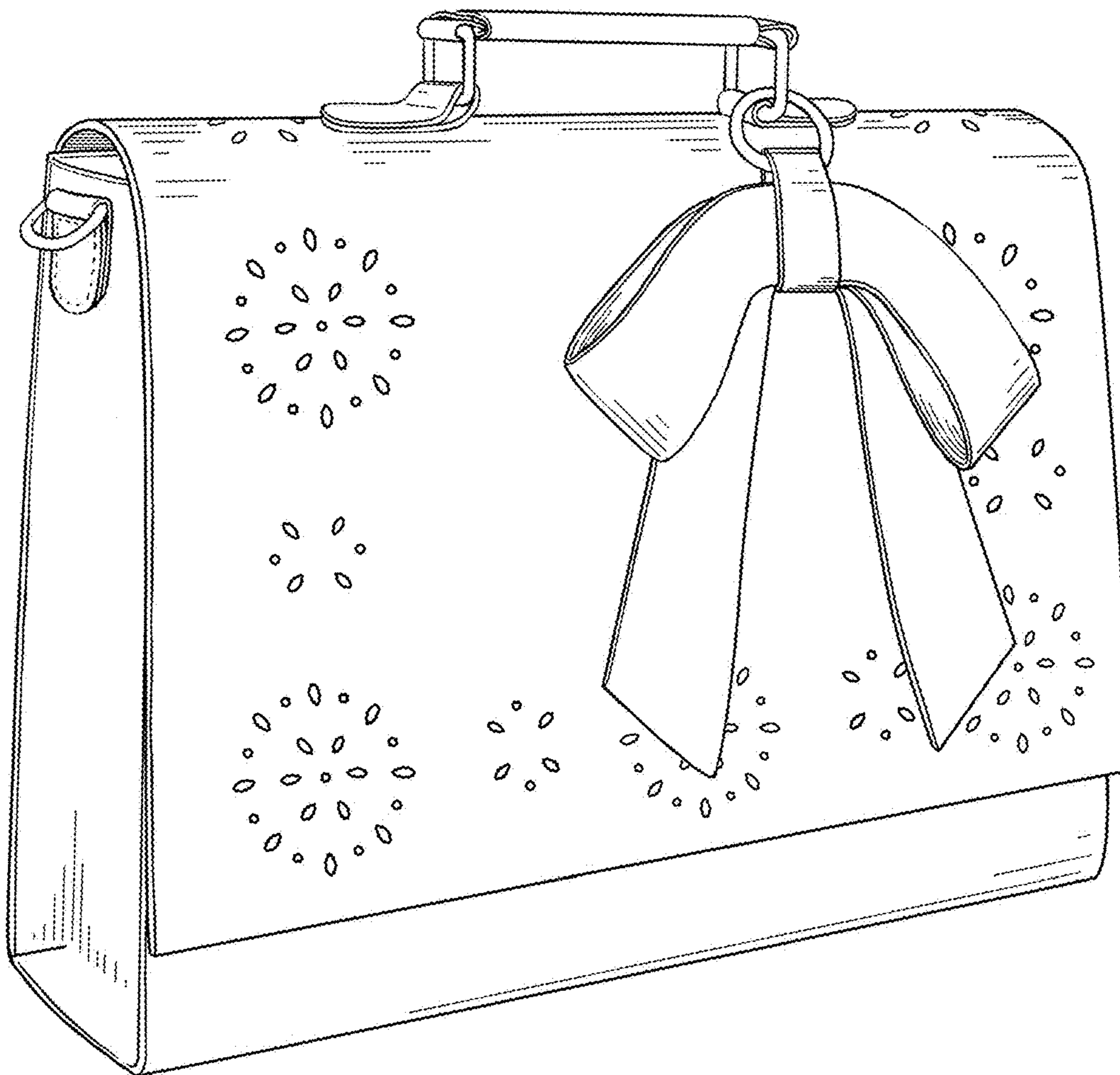


FIG. 1

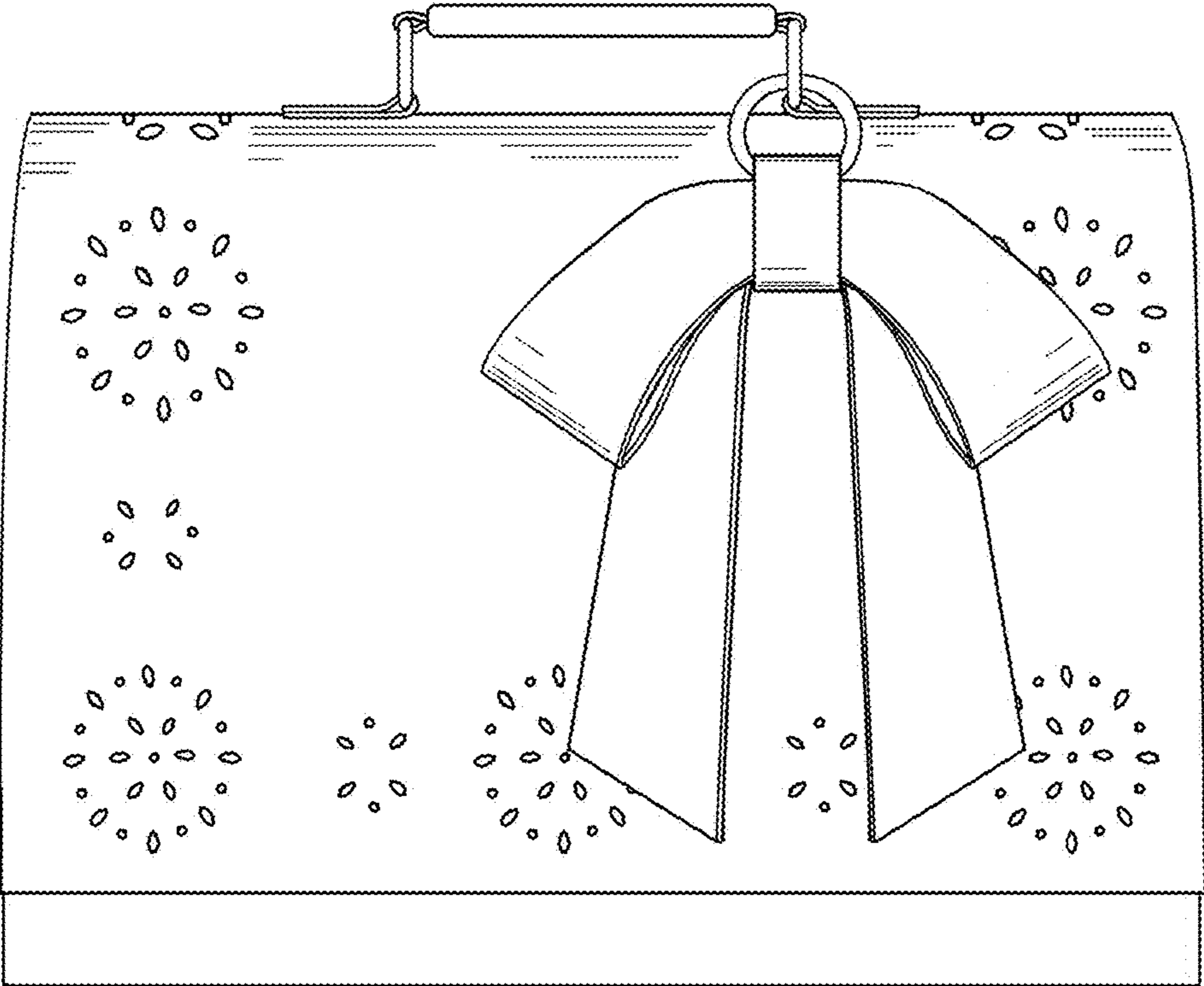


FIG. 2

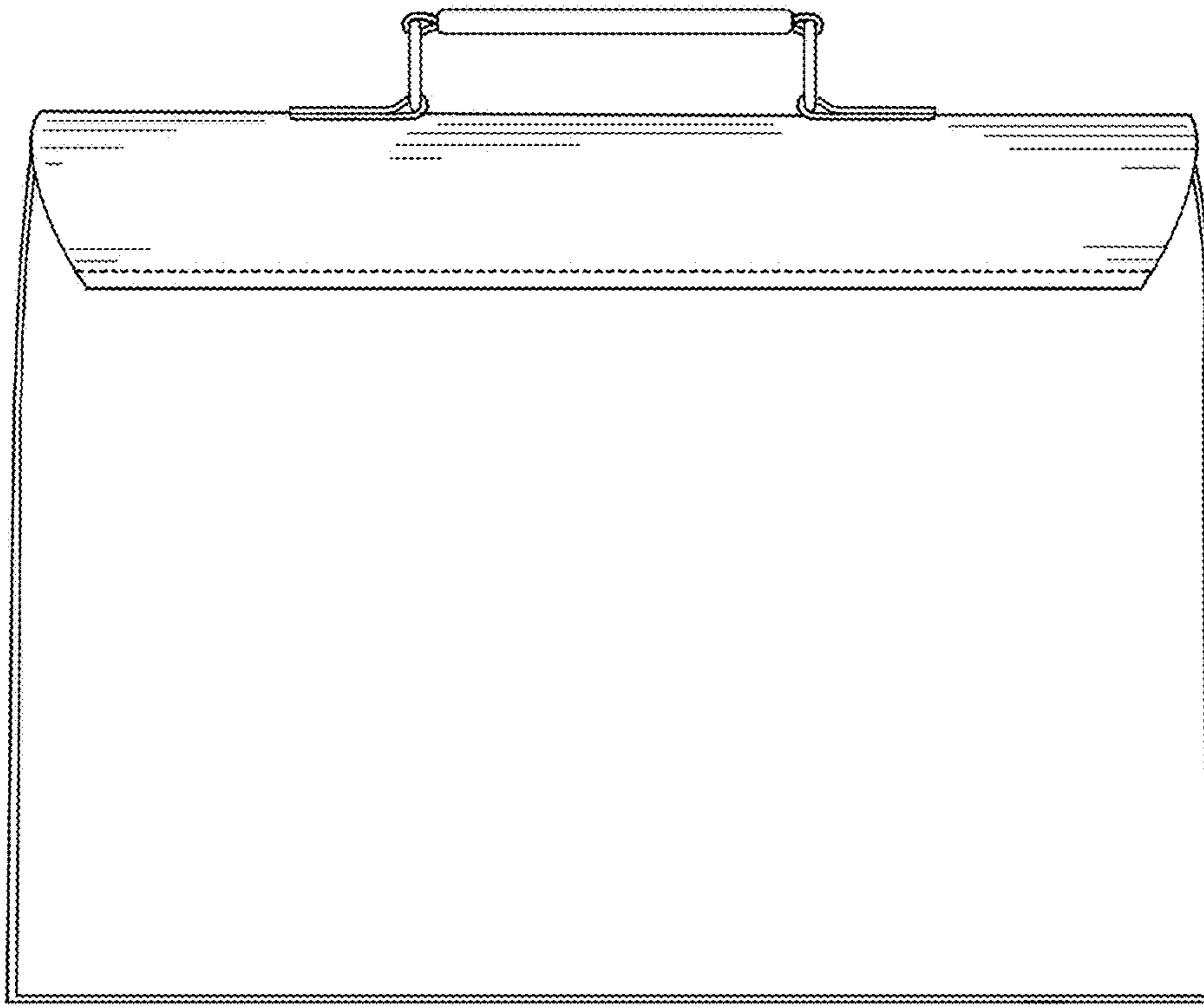


FIG. 3

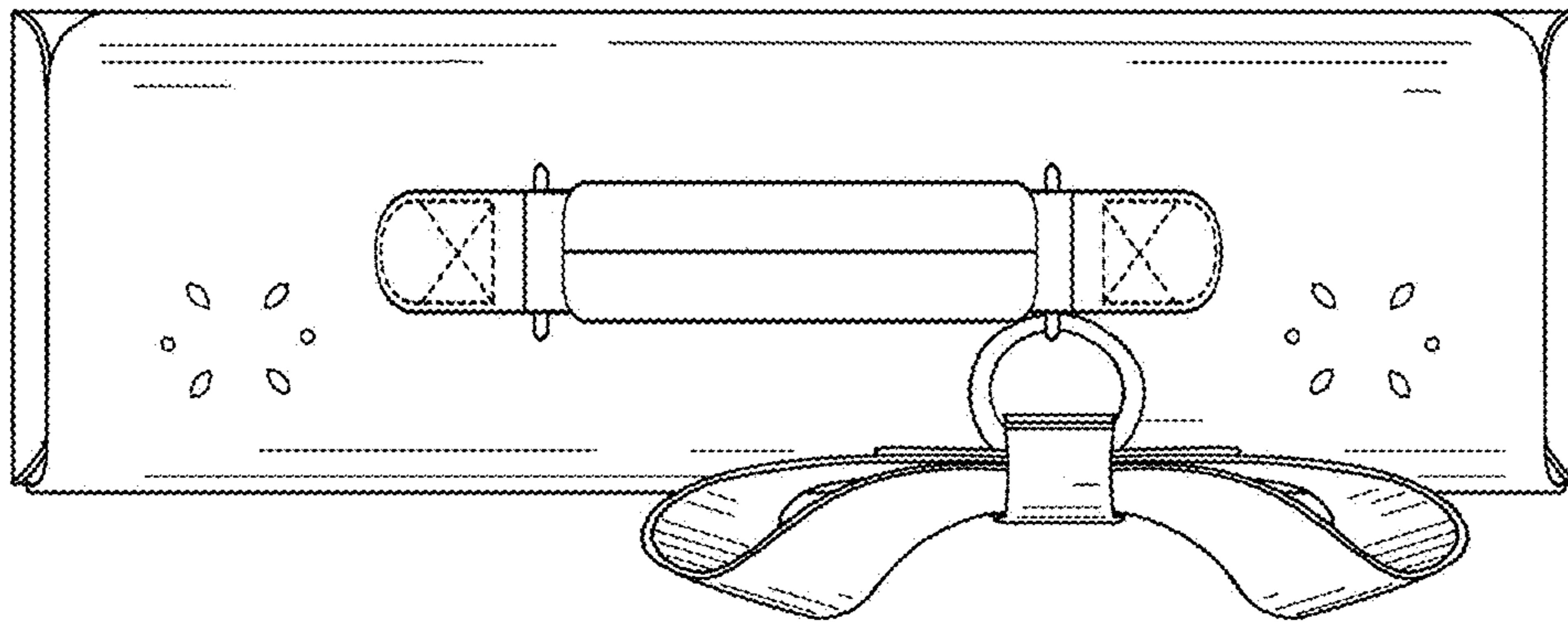


FIG. 4

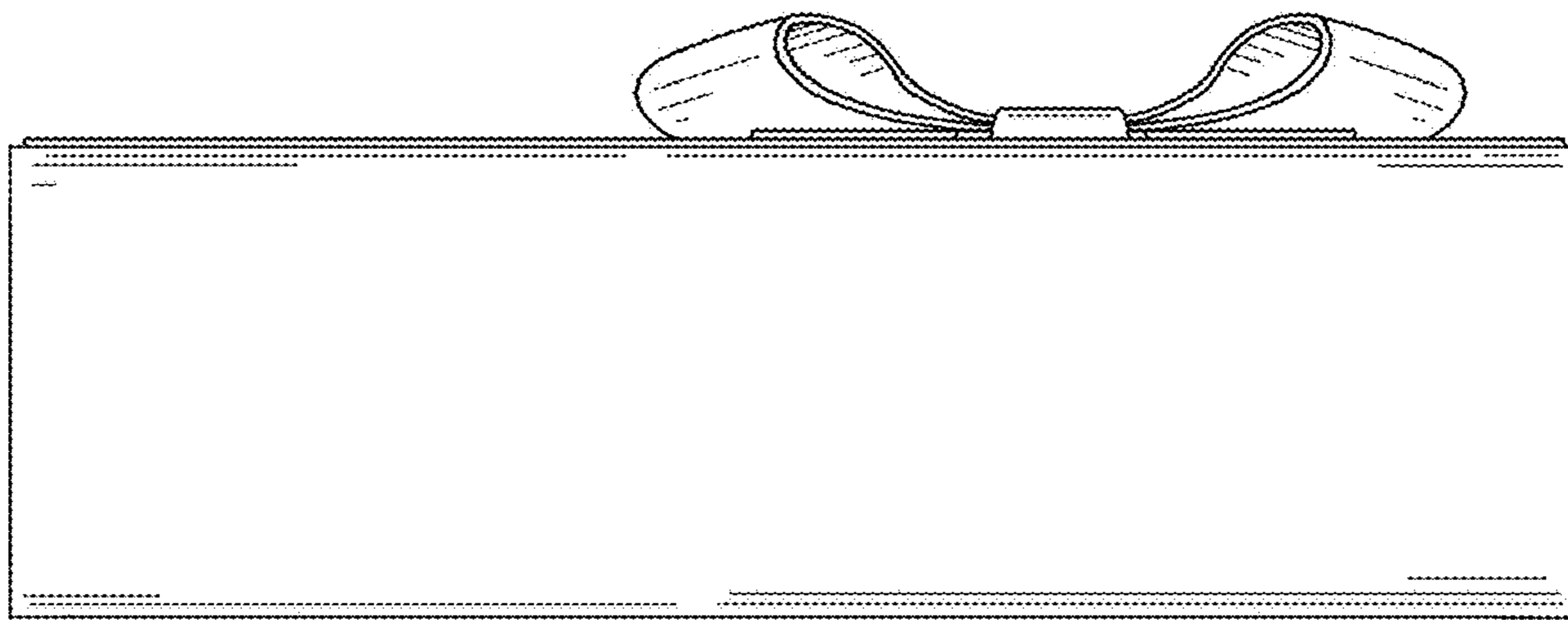


FIG. 5

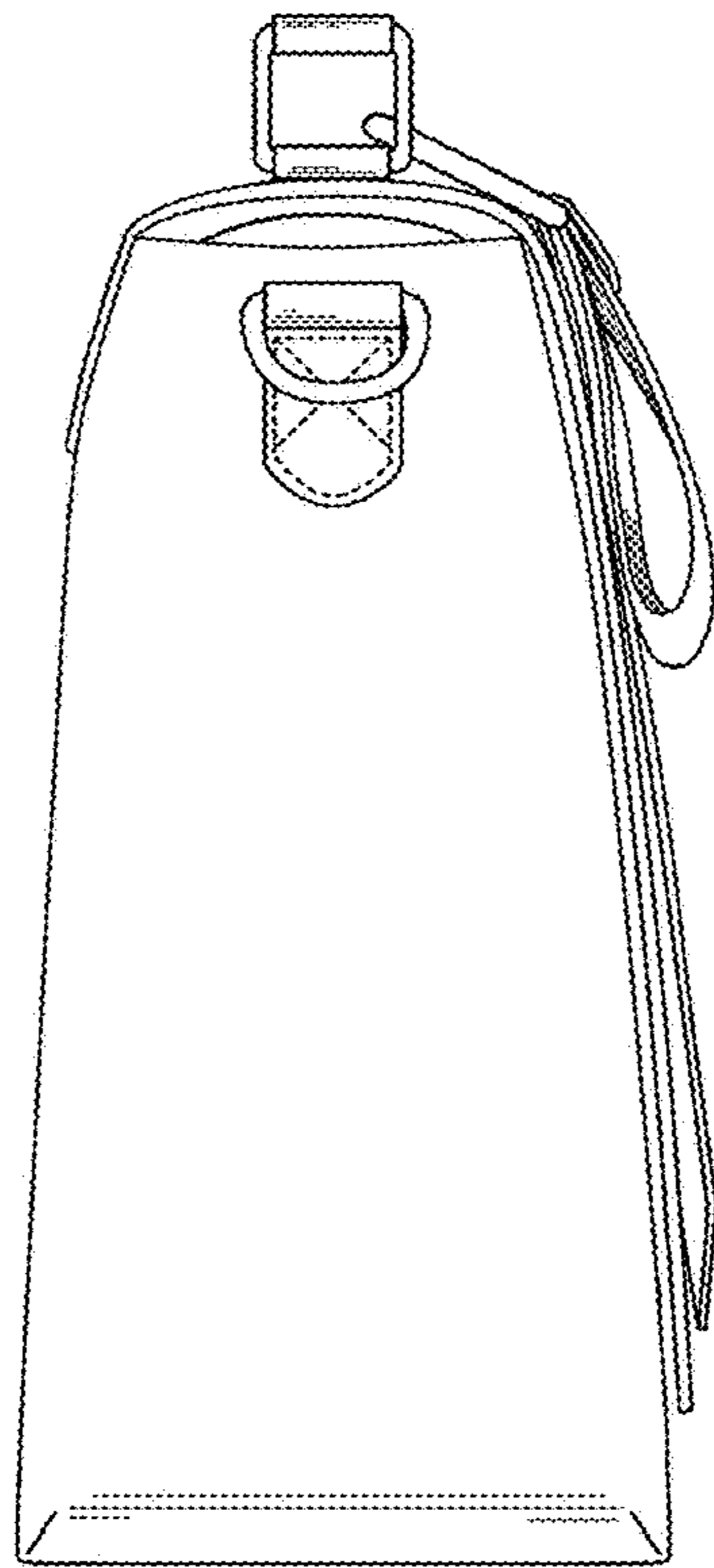


FIG. 6

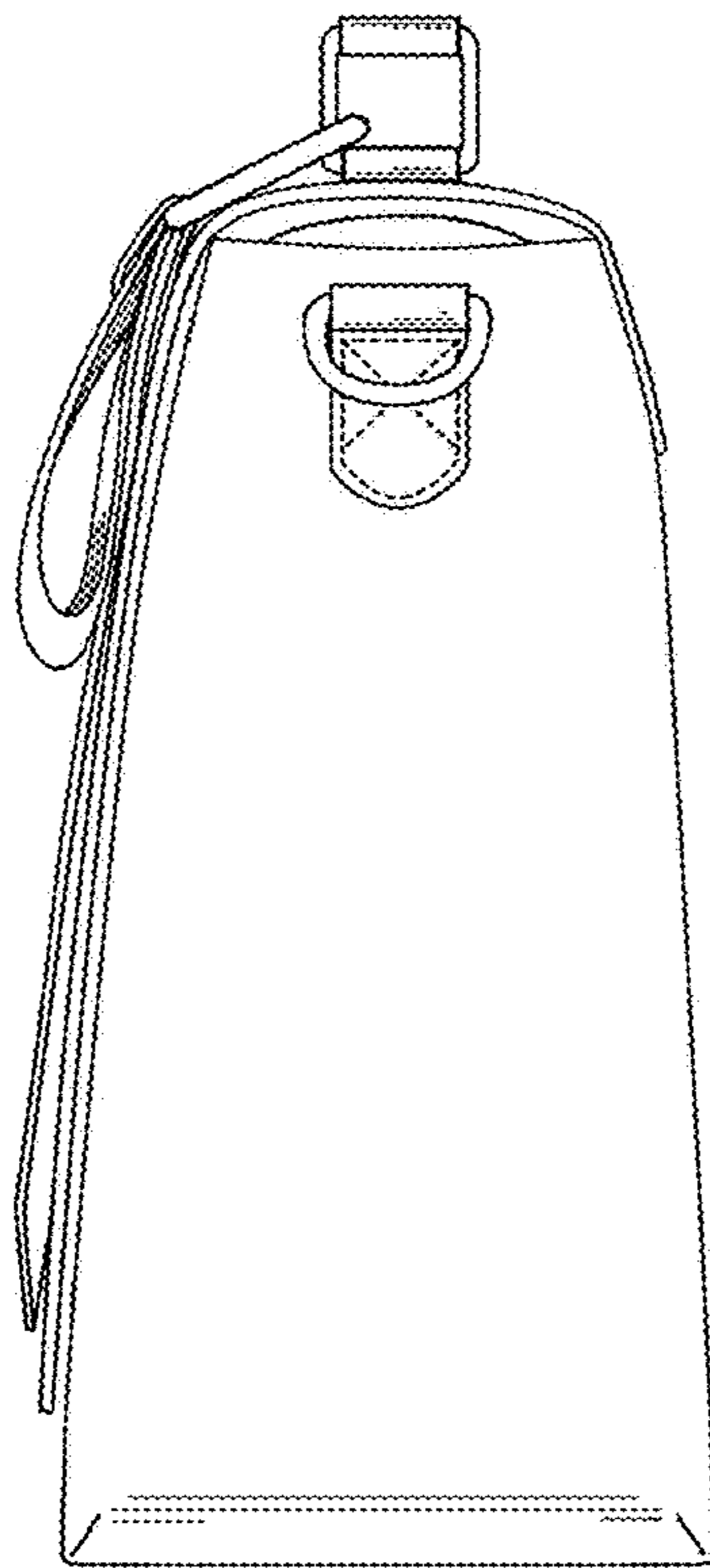


FIG. 7

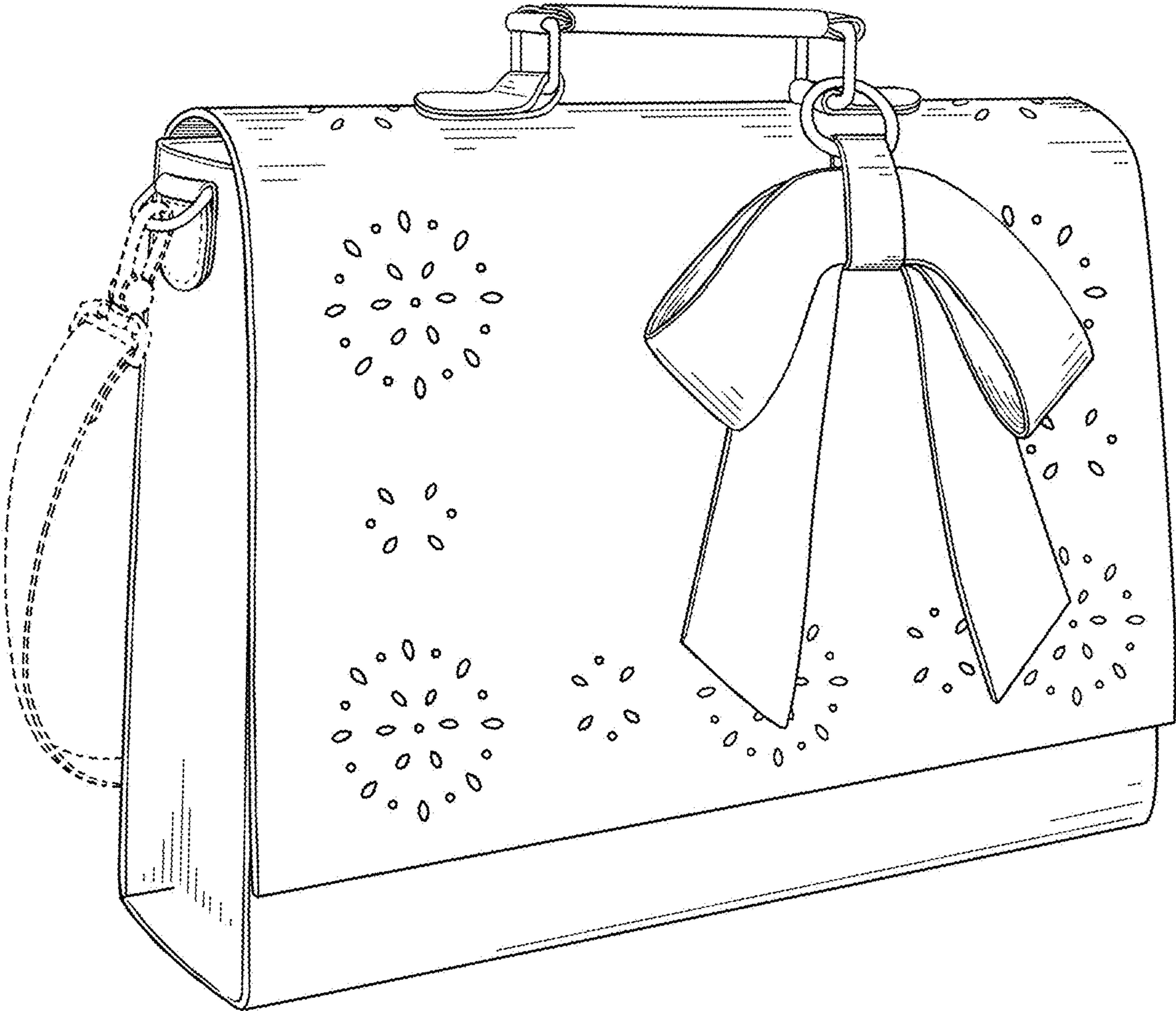


FIG. 8

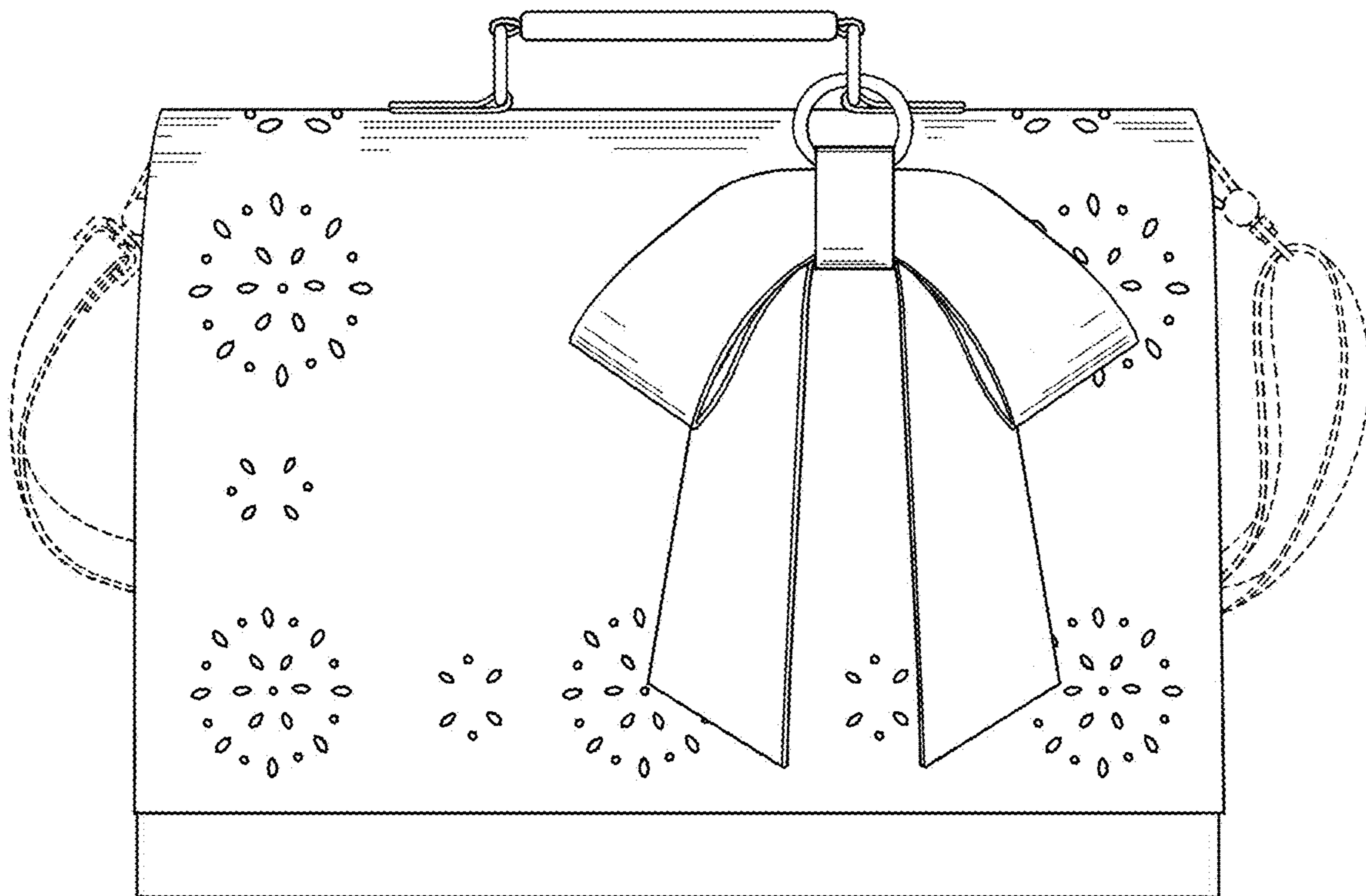


FIG. 9