



US00D851387S

(12) **United States Design Patent** (10) **Patent No.:** **US D851,387 S**
Chavarria et al. (45) **Date of Patent:** **** Jun. 18, 2019**

(54) **TRUNK AND HIP ASSEMBLY FOR EXOSKELETON APPARATUS**

(71) Applicant: **U.S. Bionics, Inc.**, Emeryville, CA (US)

(72) Inventors: **Jose Chavarria**, Oakland, CA (US);
Michael McKinley, Berkeley, CA (US);
Yoon Jeong, Berkeley, CA (US);
Raghd Mardini, Berkeley, CA (US)

(73) Assignee: **U.S. BIONICS, INC.**, Emeryville, CA (US)

(**) Term: **15 Years**

(21) Appl. No.: **29/604,950**

(22) Filed: **May 22, 2017**

(51) **LOC (11) Cl.** **03-03**

(52) **U.S. Cl.**
USPC **D3/7**

(58) **Field of Classification Search**
USPC D3/5, 6, 7, 8, 9, 10

(Continued)

(56) **References Cited**

U.S. PATENT DOCUMENTS

7,429,253 B2 * 9/2008 Shimada A61F 5/0102
602/16

D588,795 S * 3/2009 Koyama D3/7
(Continued)

Primary Examiner — John Windmuller

Assistant Examiner — Steven J Czyz

(74) *Attorney, Agent, or Firm* — Kwan & Olynick LLP

(57) **CLAIM**

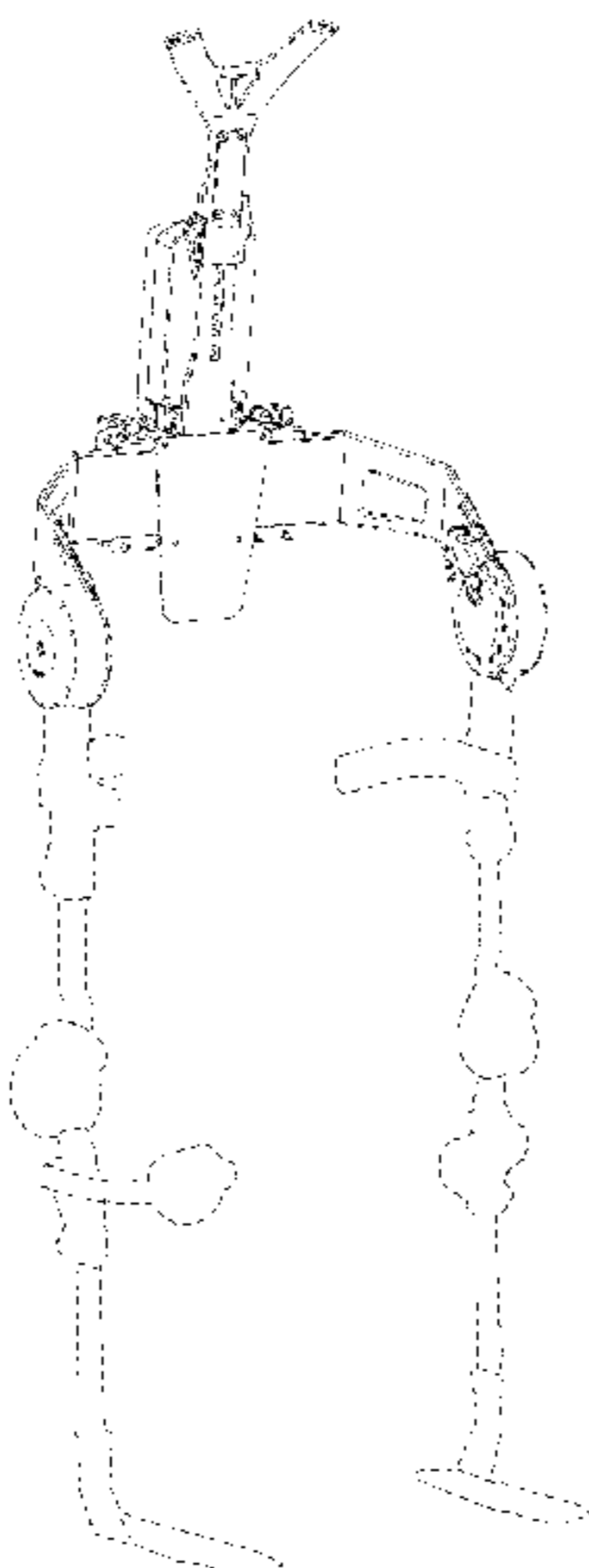
The ornamental design for a trunk and hip assembly for exoskeleton apparatus, as shown and described.

DESCRIPTION

FIG. 1 is a front view of a trunk and hip assembly for exoskeleton apparatus;

FIG. 2 is a rear view thereof;
FIG. 3 is a left side view thereof;
FIG. 4 is a right side view thereof;
FIG. 5 is a top view thereof;
FIG. 6 is a bottom view thereof;
FIG. 7 is a perspective view thereof showing rear, top, and left sides;
FIG. 8 is a perspective view thereof showing rear, top, and right sides;
FIG. 9 is a perspective view thereof showing rear, bottom, and left sides;
FIG. 10 is a perspective view thereof showing rear, bottom, and right sides;
FIG. 11 is another perspective view of a trunk and hip assembly for exoskeleton apparatus showing rear, bottom, and right sides;
FIG. 12 is another perspective view of a trunk and hip assembly for exoskeleton apparatus showing rear, bottom, and left sides;
FIG. 13 is an enlarged fragmentary perspective view of that shown in FIG. 12 showing notches located on a portion of the trunk and hip assembly in greater detail, it being understood that the opposite side is a mirror image of that shown;
FIG. 14 is a perspective view of a trunk and hip assembly for exoskeleton apparatus showing top, front, and right sides;
FIG. 15 is an enlarged fragmentary perspective view of that shown in FIG. 14 showing a latch mechanism located on a spine portion of the trunk and hip assembly in greater detail;
FIG. 16 is a perspective view of a trunk and hip assembly for exoskeleton apparatus showing top, front, and left sides;
FIG. 17 is an enlarged fragmentary perspective view of that shown in FIG. 16 showing a light located on the right hip portion of the trunk and hip assembly in greater detail, it being understood that the opposite side is a mirror image of that shown;
FIG. 18 is a front view of the trunk and hip assembly for exoskeleton apparatus, shown with environment;
FIG. 19 is a rear view thereof; and,
FIG. 20 is a front right perspective view thereof.
The broken lines depict environment and portions of the article that form no part of the claimed design.

1 Claim, 19 Drawing Sheets



(58) **Field of Classification Search**

CPC A61H 3/00; A61H 3/0277; A61H
 2201/1418; A61H 2201/1215; A61H
 2201/5007; A61H 2201/5043; A61H
 2201/1623; A61H 2201/168; A61H
 2201/1614; A61H 2201/1628

See application file for complete search history.

9,421,143 B2 * 8/2016 Caires A61H 3/00
 9,675,514 B2 * 6/2017 Caires A61H 3/00
 9,682,006 B2 * 6/2017 Goldfarb A61H 3/00
 9,687,409 B2 * 6/2017 Teng A61H 1/024
 9,744,093 B2 * 8/2017 Tung A61H 3/00
 9,808,390 B2 * 11/2017 Caires A61H 3/00
 9,855,181 B2 * 1/2018 Caires A61H 1/024
 9,907,722 B2 * 3/2018 Aguirre-Ollinger A61H 3/00
 10,086,513 B2 * 10/2018 Park B25J 9/0006
 10,098,804 B2 * 10/2018 Lee A61H 3/008
 10,137,049 B2 * 11/2018 Lee A61H 3/00
 2006/0276728 A1 * 12/2006 Ashihara A61F 5/0102

(56) **References Cited**

U.S. PATENT DOCUMENTS

8,034,005 B2 * 10/2011 Yasuhara B25J 9/0006
 601/35
 8,516,918 B2 * 8/2013 Jacobsen A61F 2/68
 74/490.01
 9,022,956 B2 * 5/2015 Kazerooni A61F 5/01
 601/5
 9,022,958 B2 * 5/2015 Shimizu A61H 1/0244
 601/35
 9,224,993 B2 * 12/2015 Hamaya H01M 2/1066
 9,333,109 B2 * 5/2016 Kuromiya A61F 5/01

2014/0378882 A1 * 12/2014 Kazerooni A61F 5/01
 602/19
 2015/0025423 A1 * 1/2015 Caires A61H 1/024
 601/35
 2015/0230964 A1 * 8/2015 Kazerooni A61F 5/02
 602/16
 2016/0030272 A1 * 2/2016 Angold A61H 1/024
 623/24
 2016/0206498 A1 * 7/2016 Kazerooni A61F 5/028

* cited by examiner

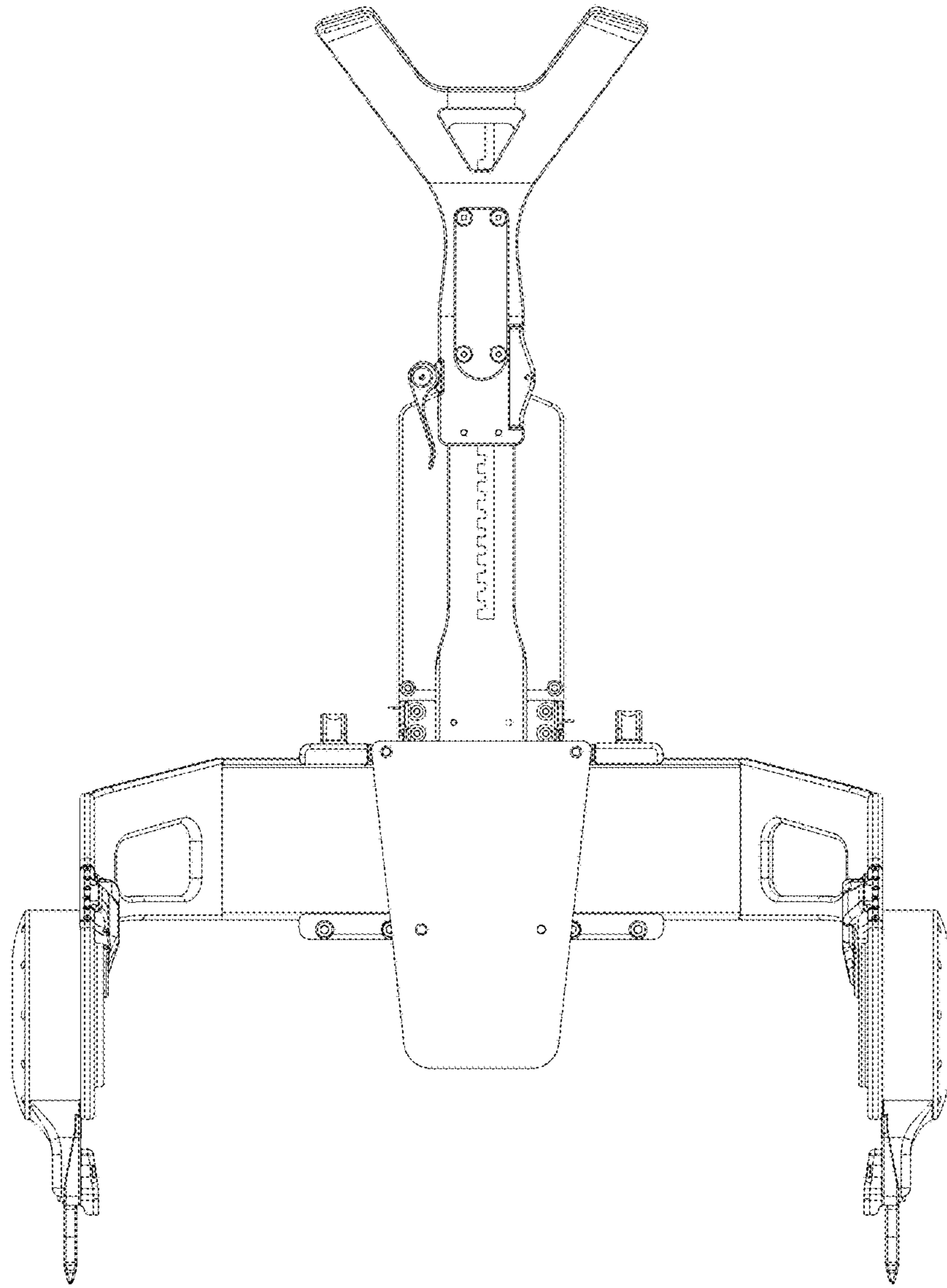
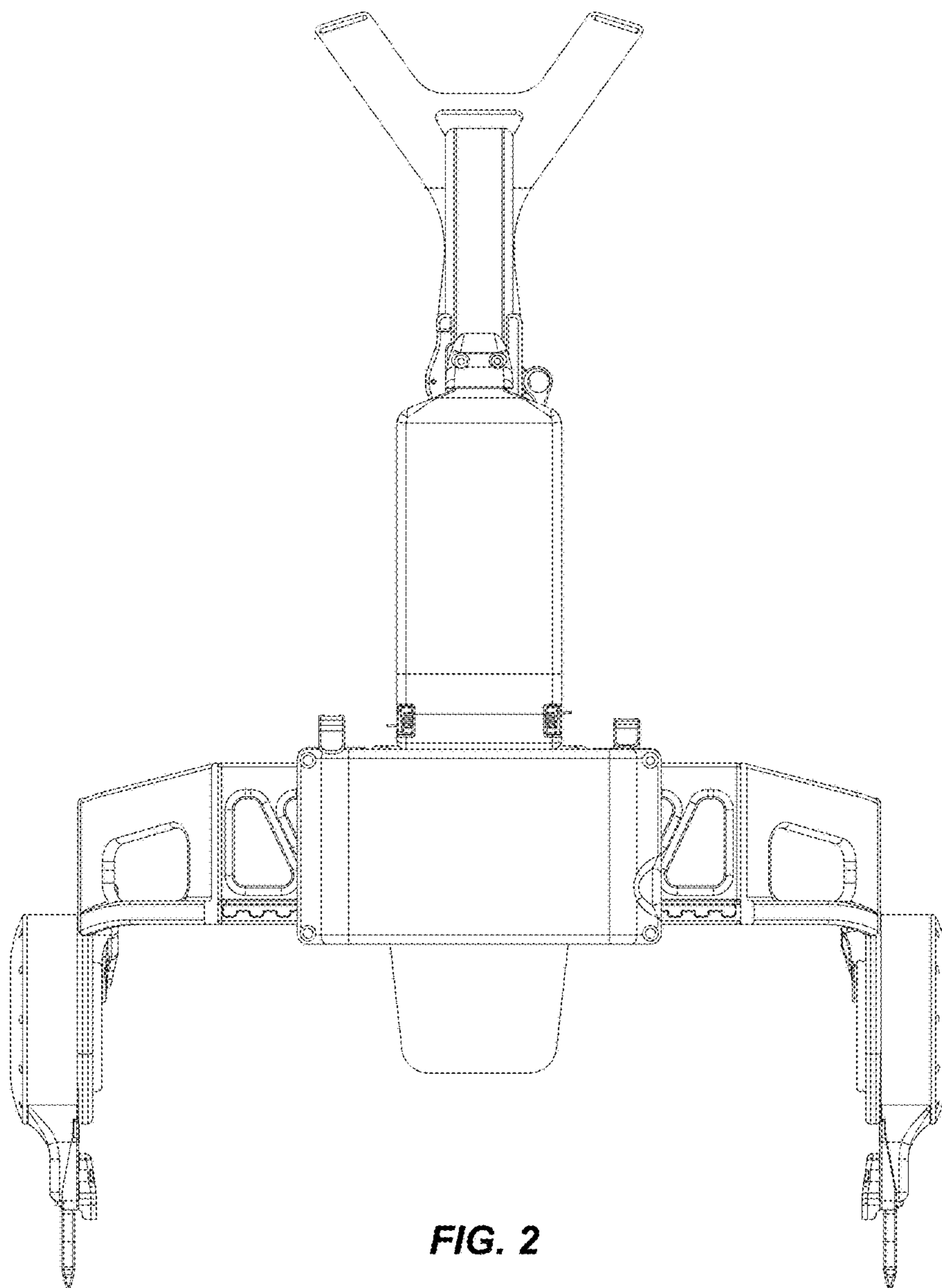


FIG. 1



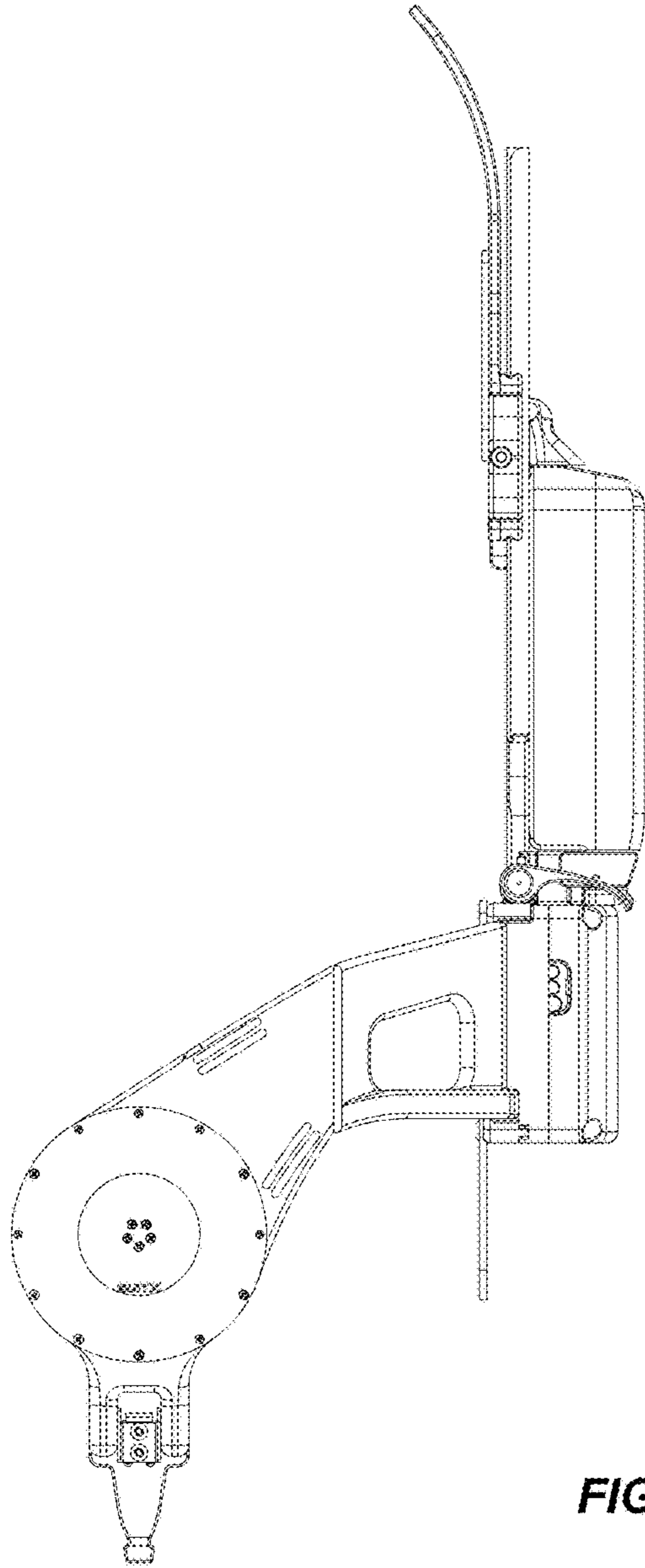


FIG. 3

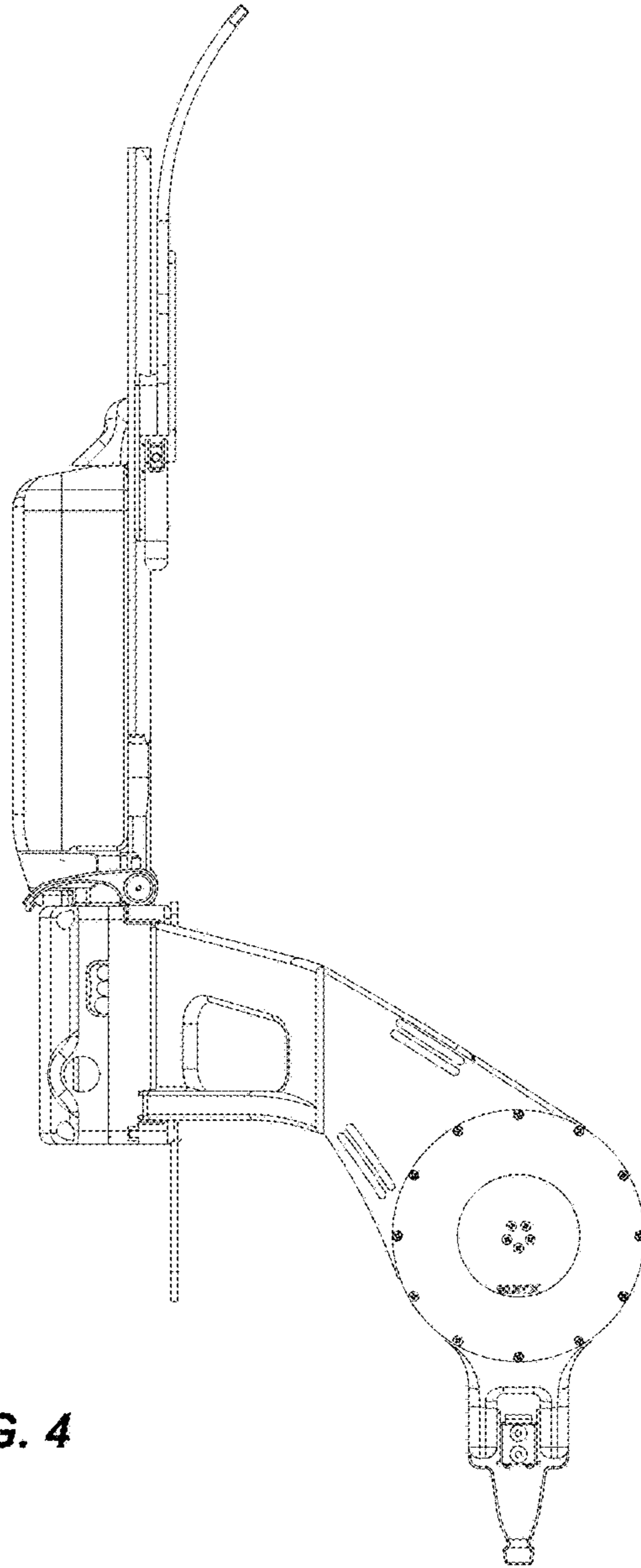


FIG. 4

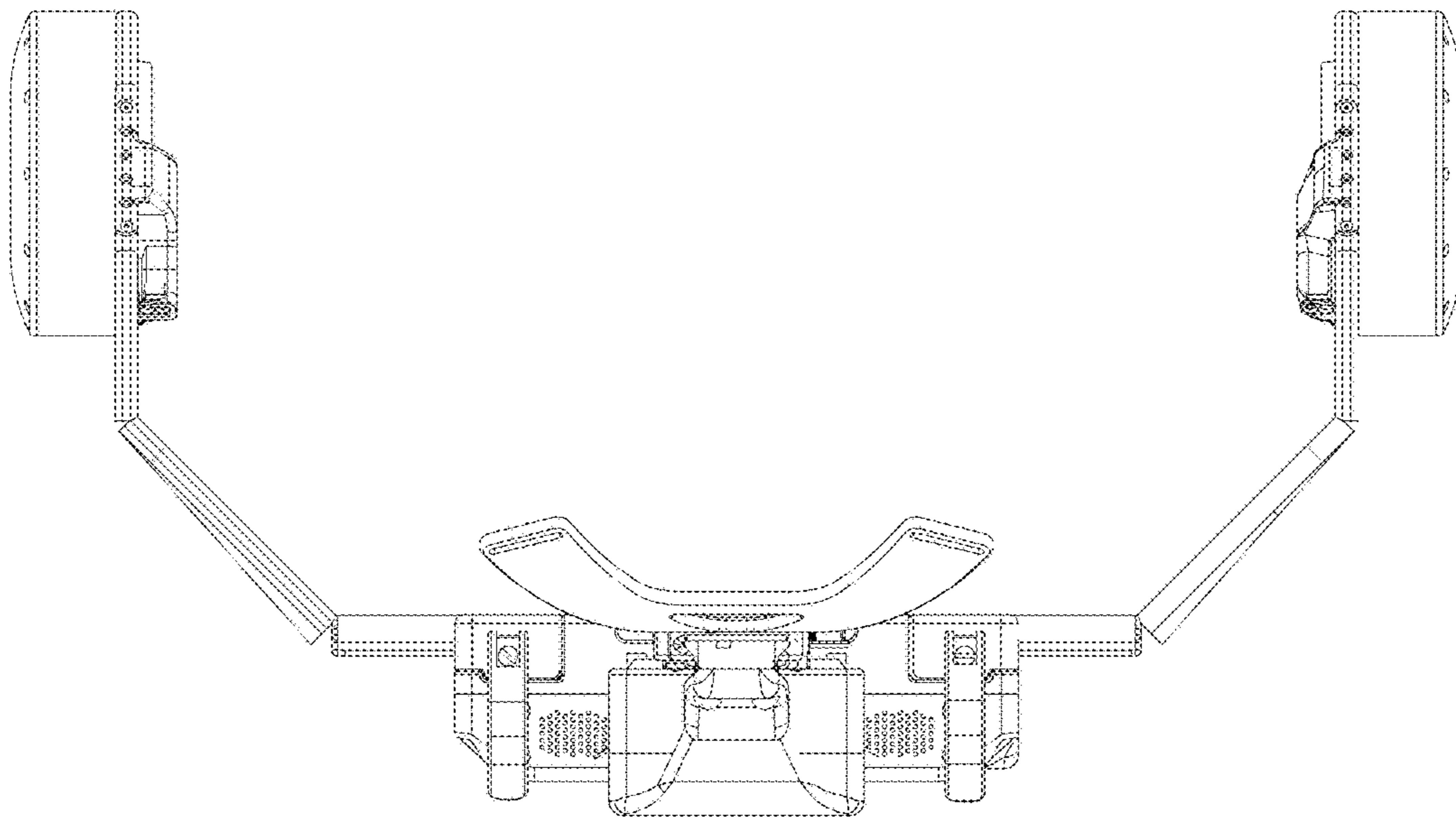


FIG. 5

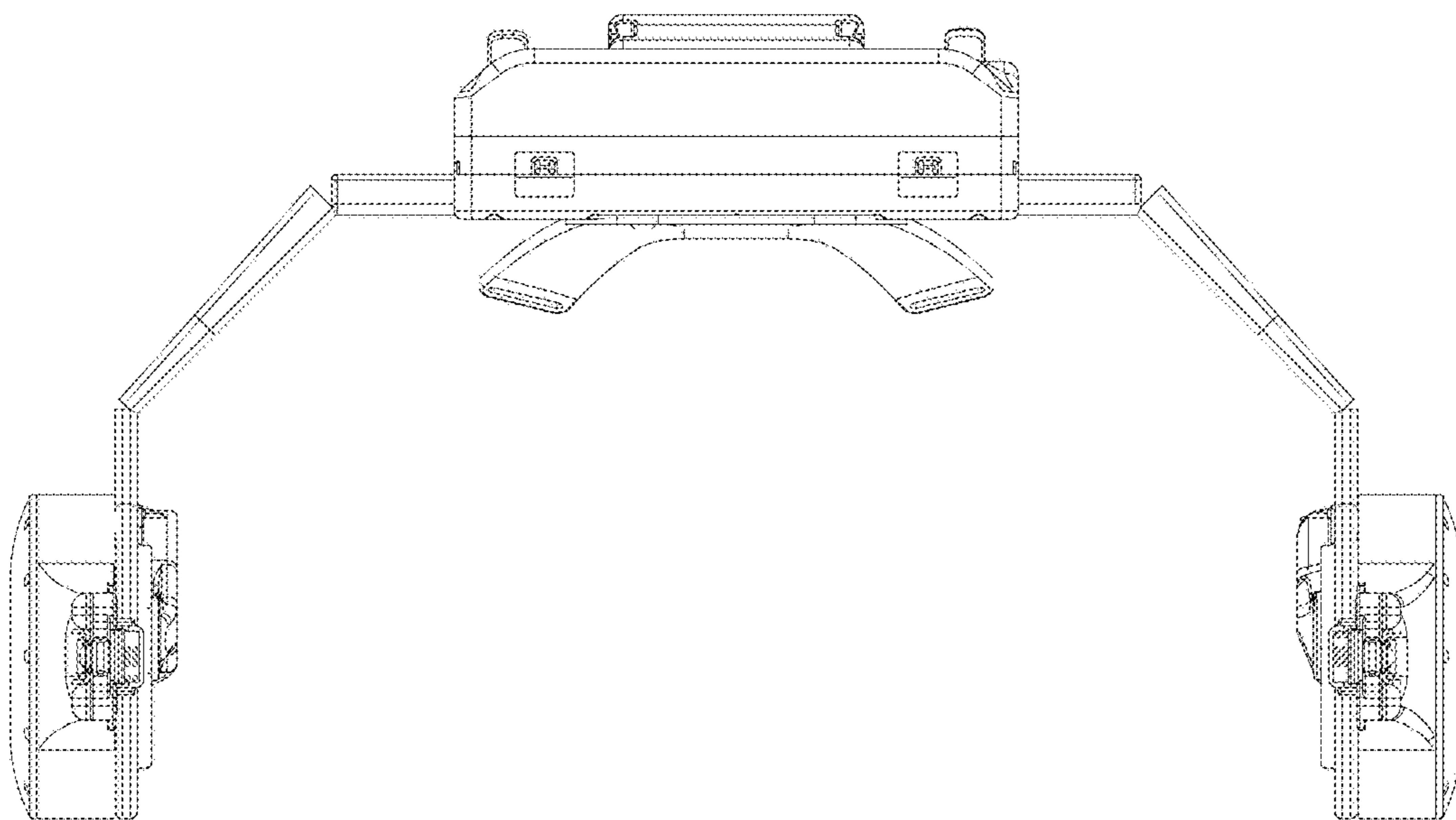


FIG. 6

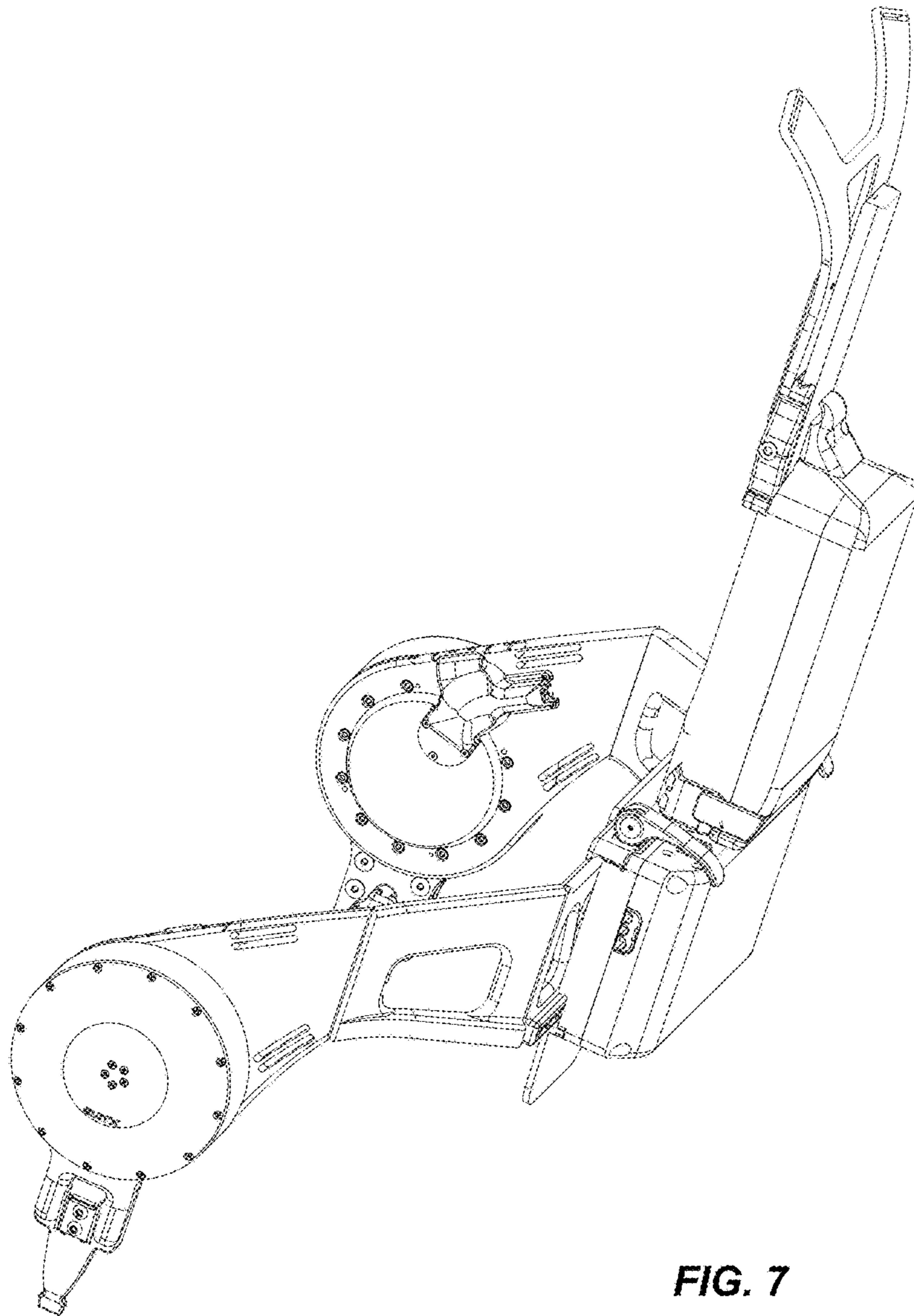
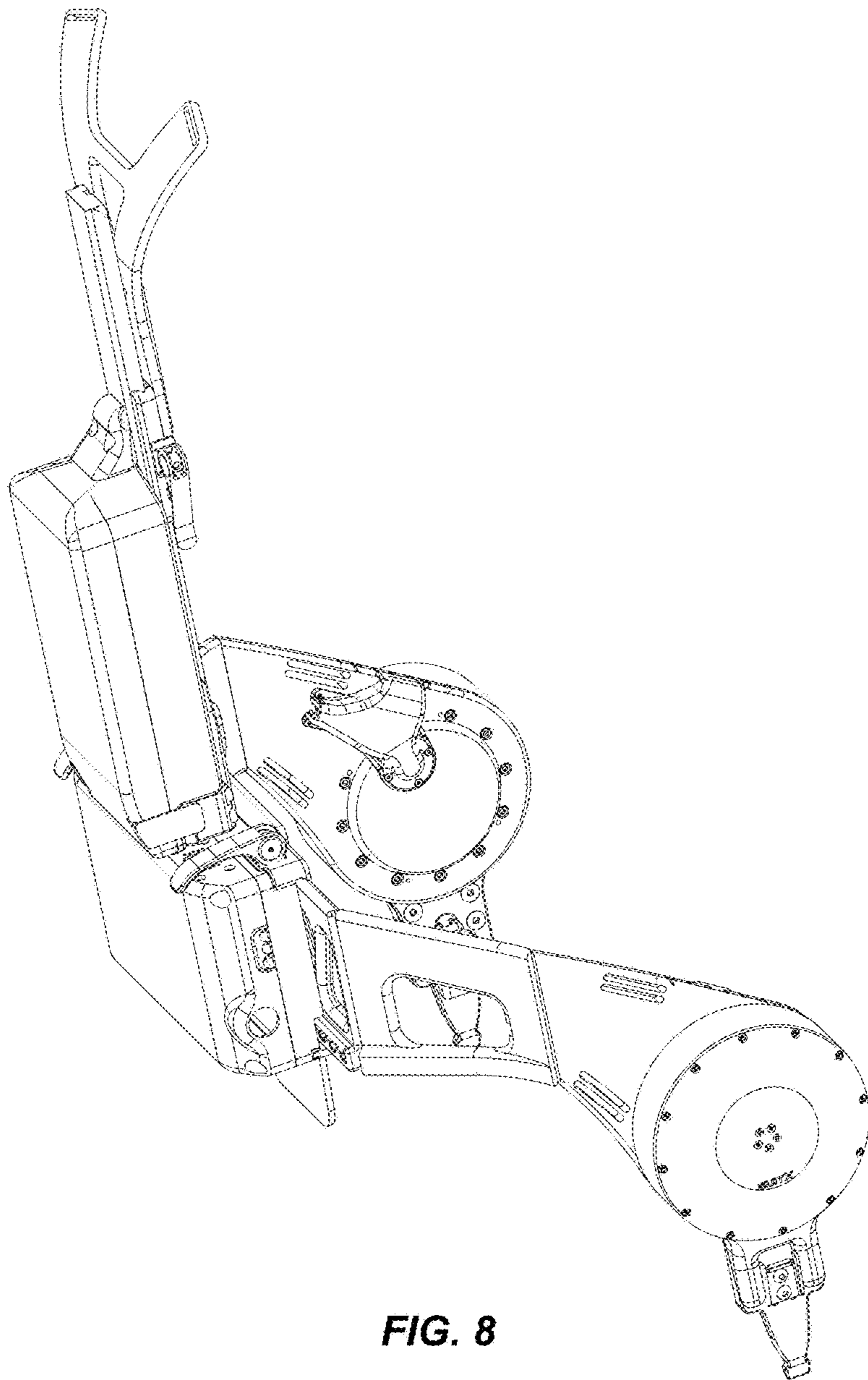


FIG. 7



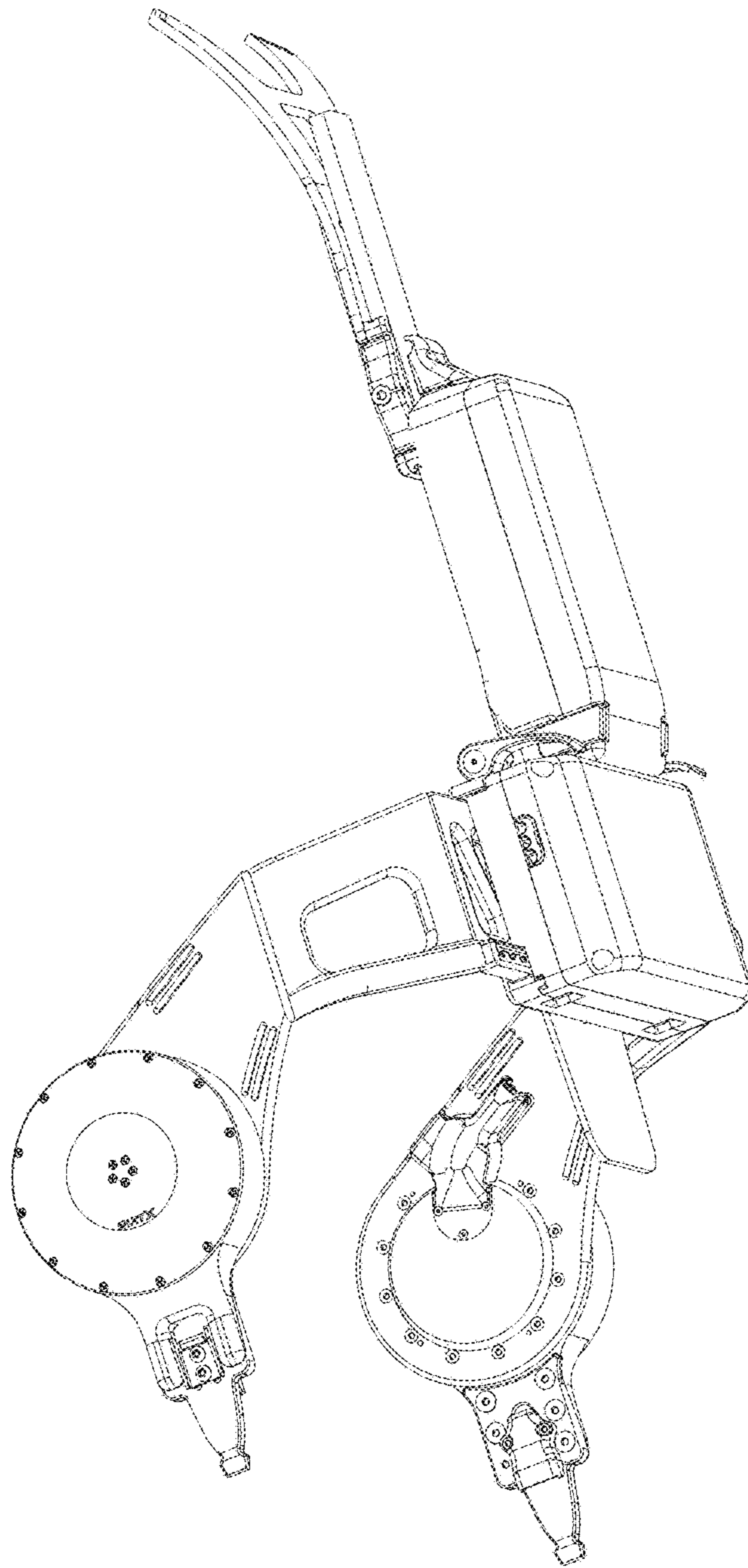


FIG. 9

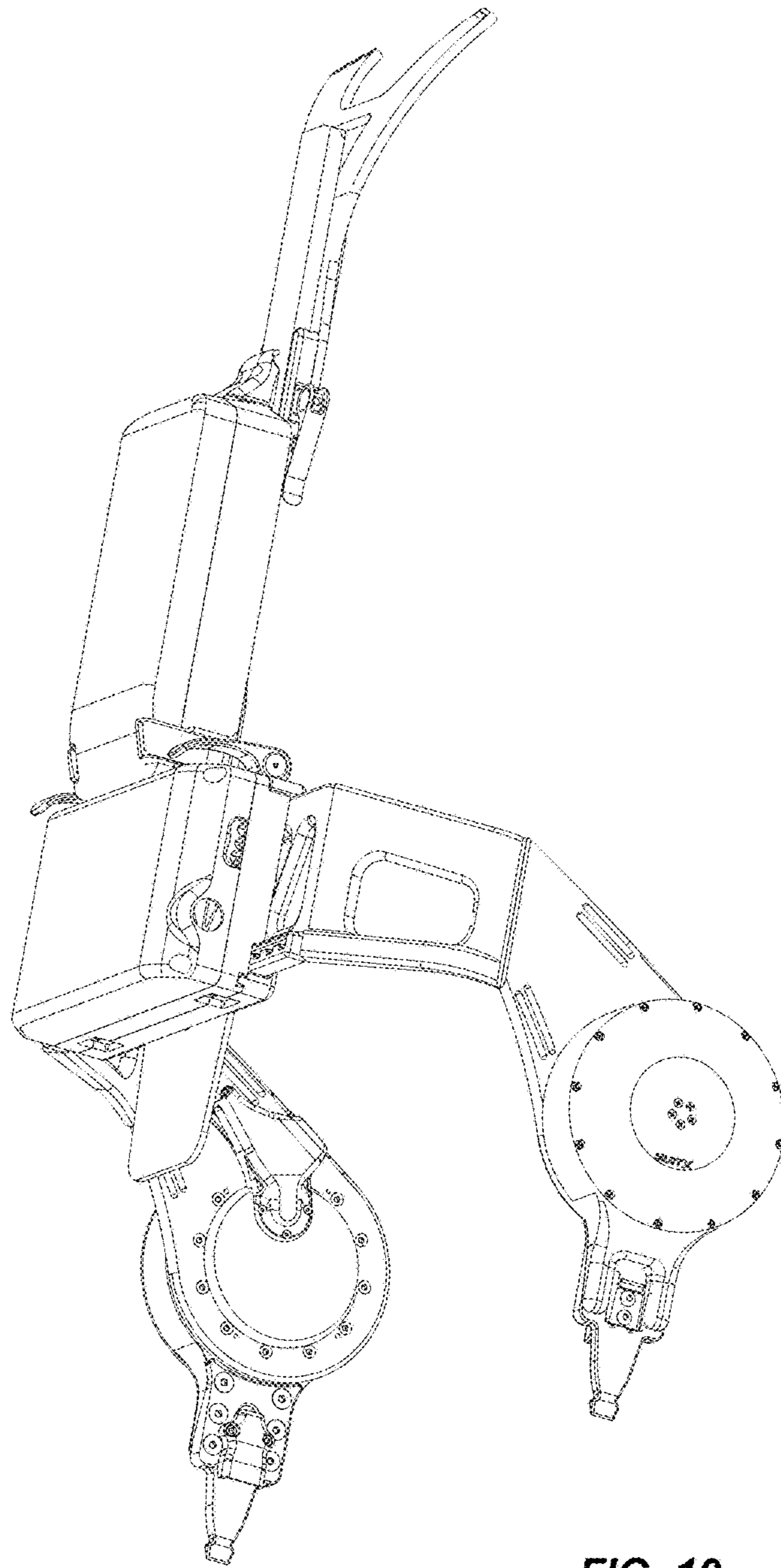


FIG. 10

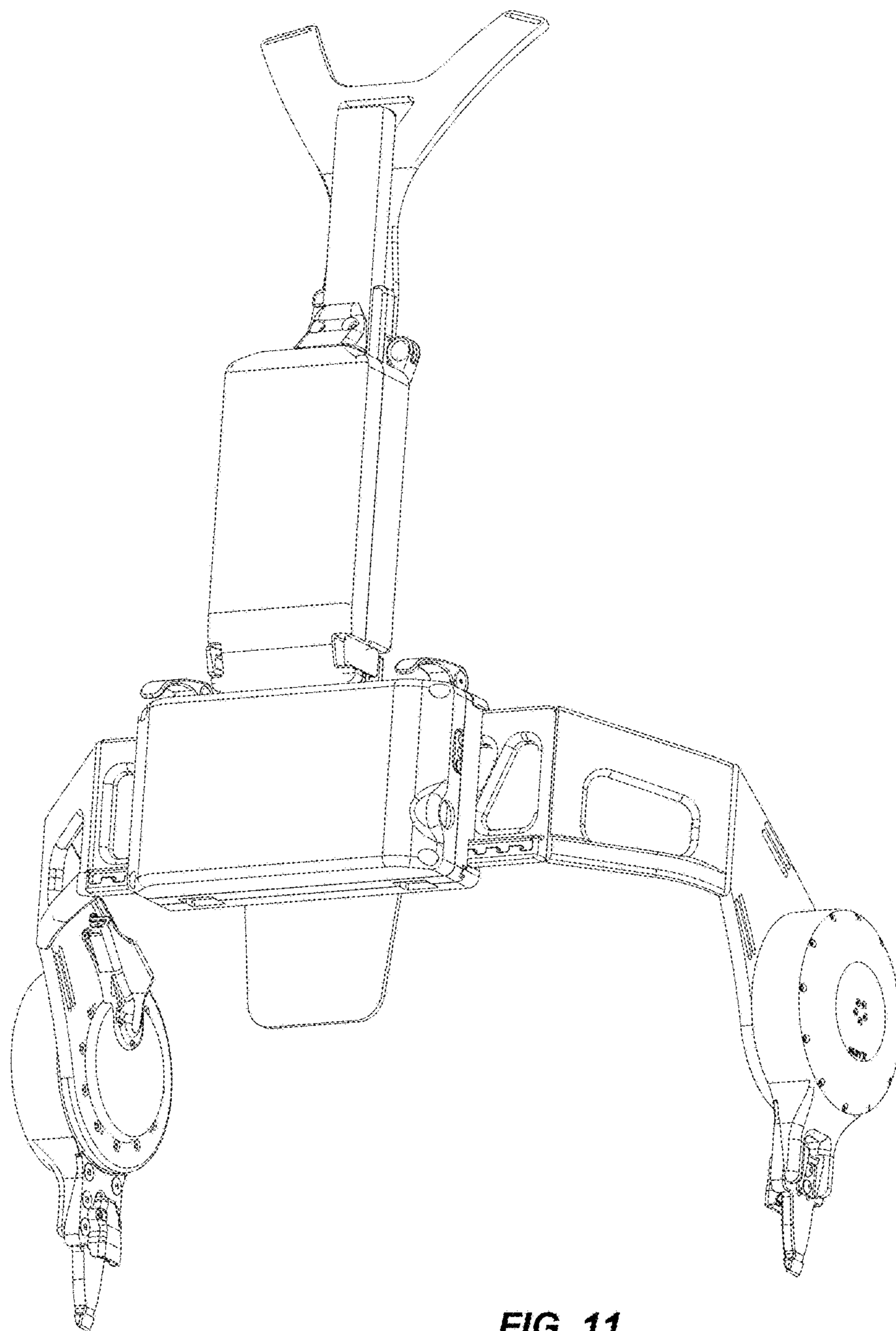


FIG. 11

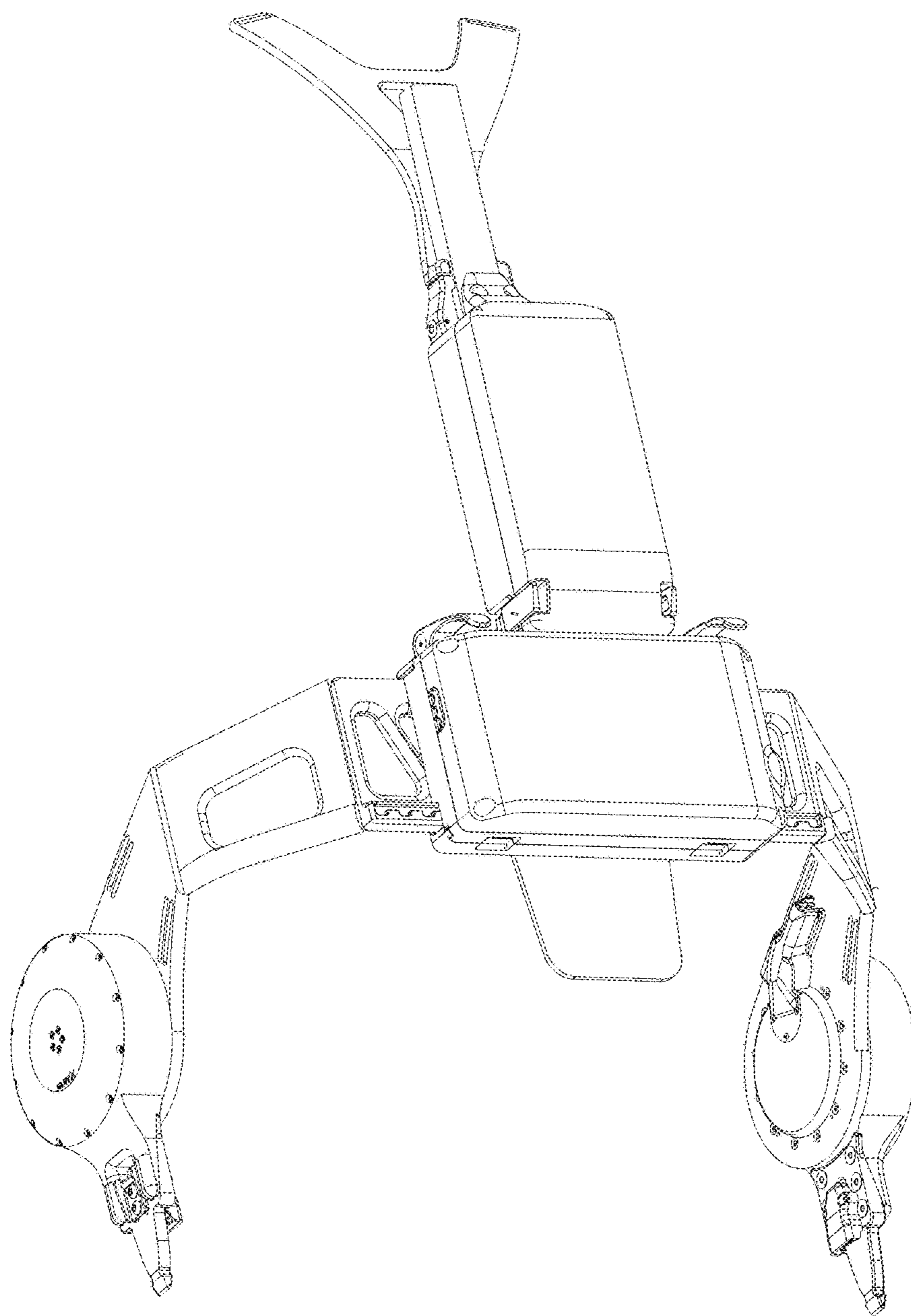


FIG. 12

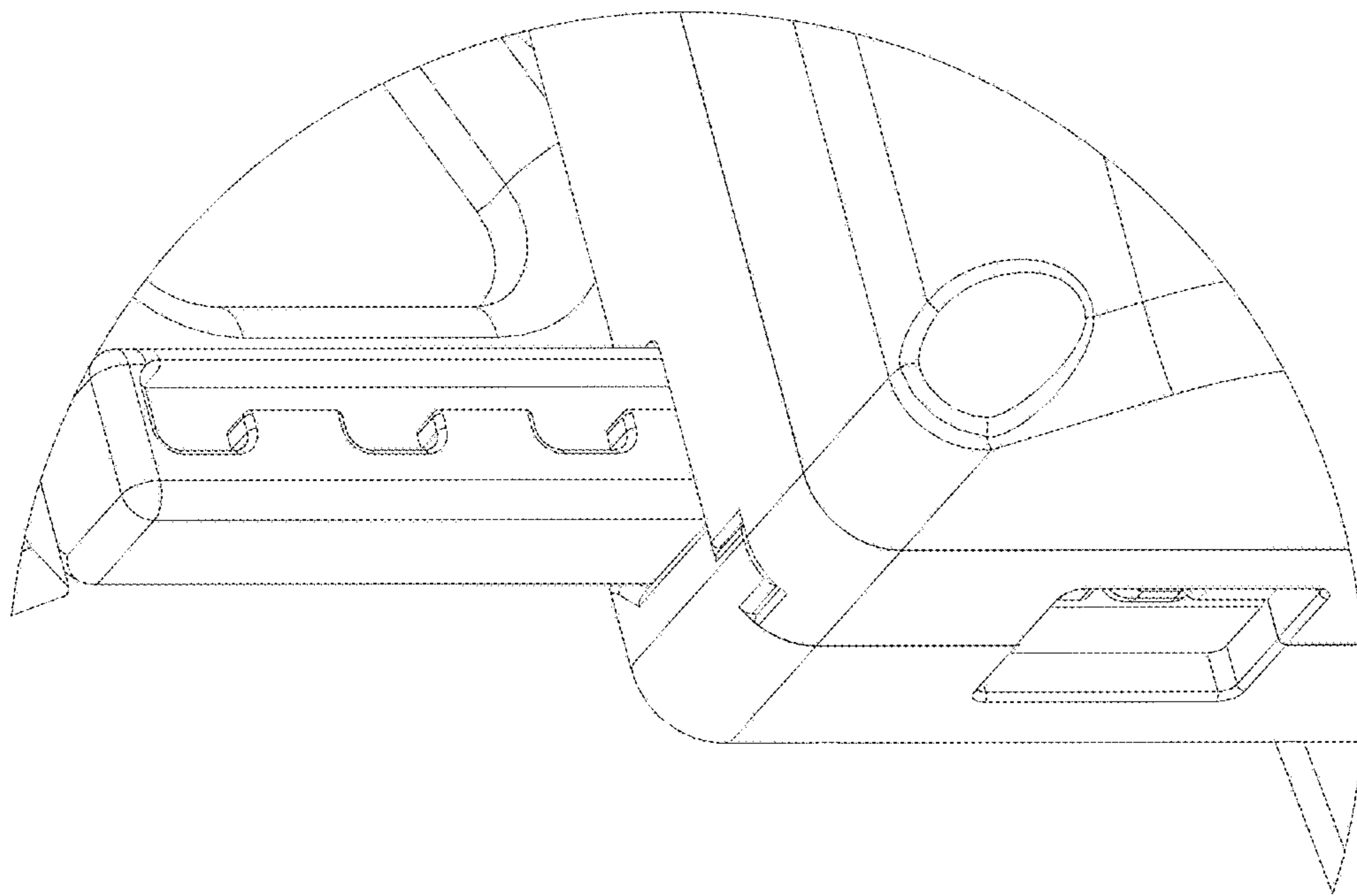


FIG. 13

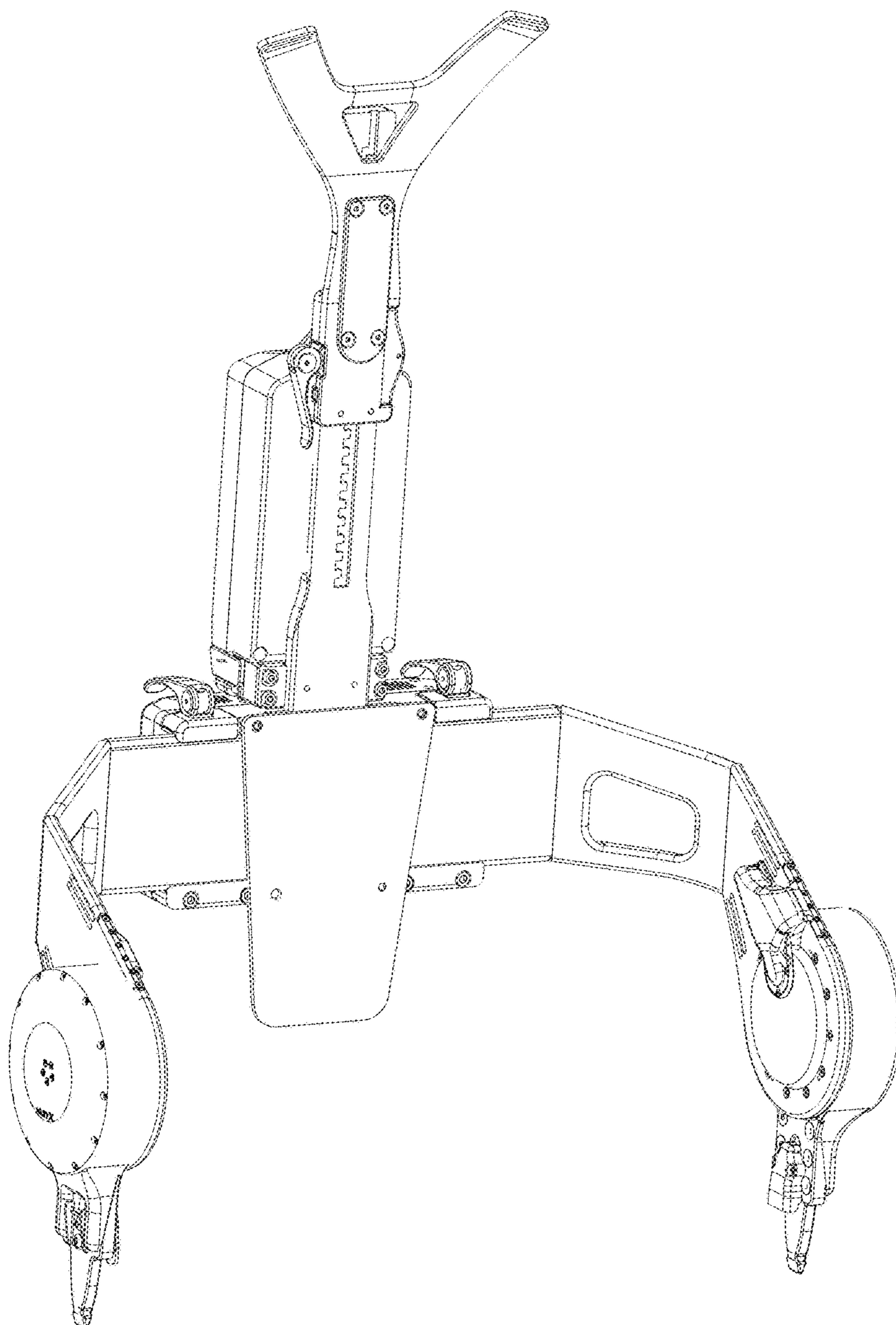


FIG. 14

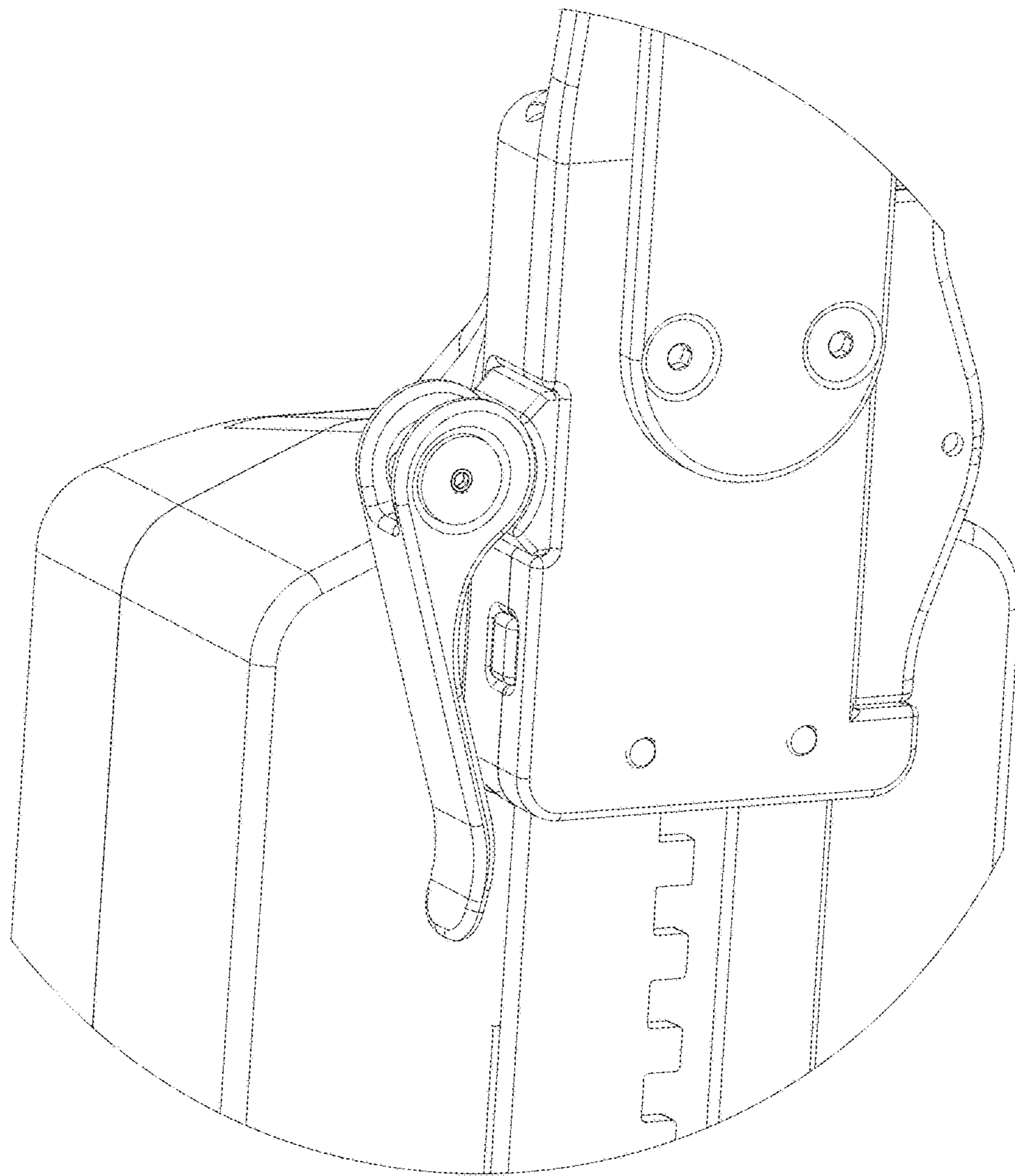


FIG. 15

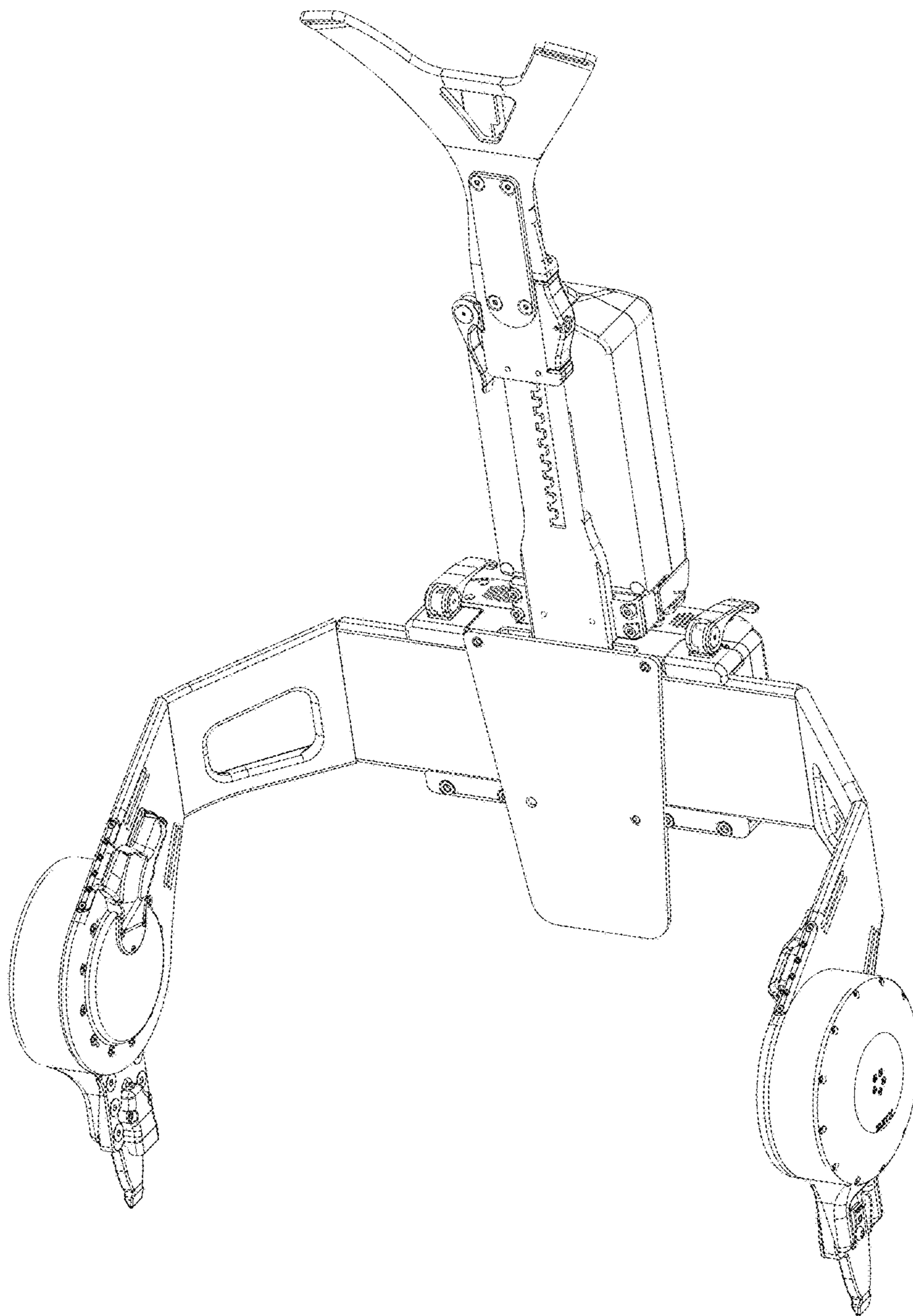


FIG. 16

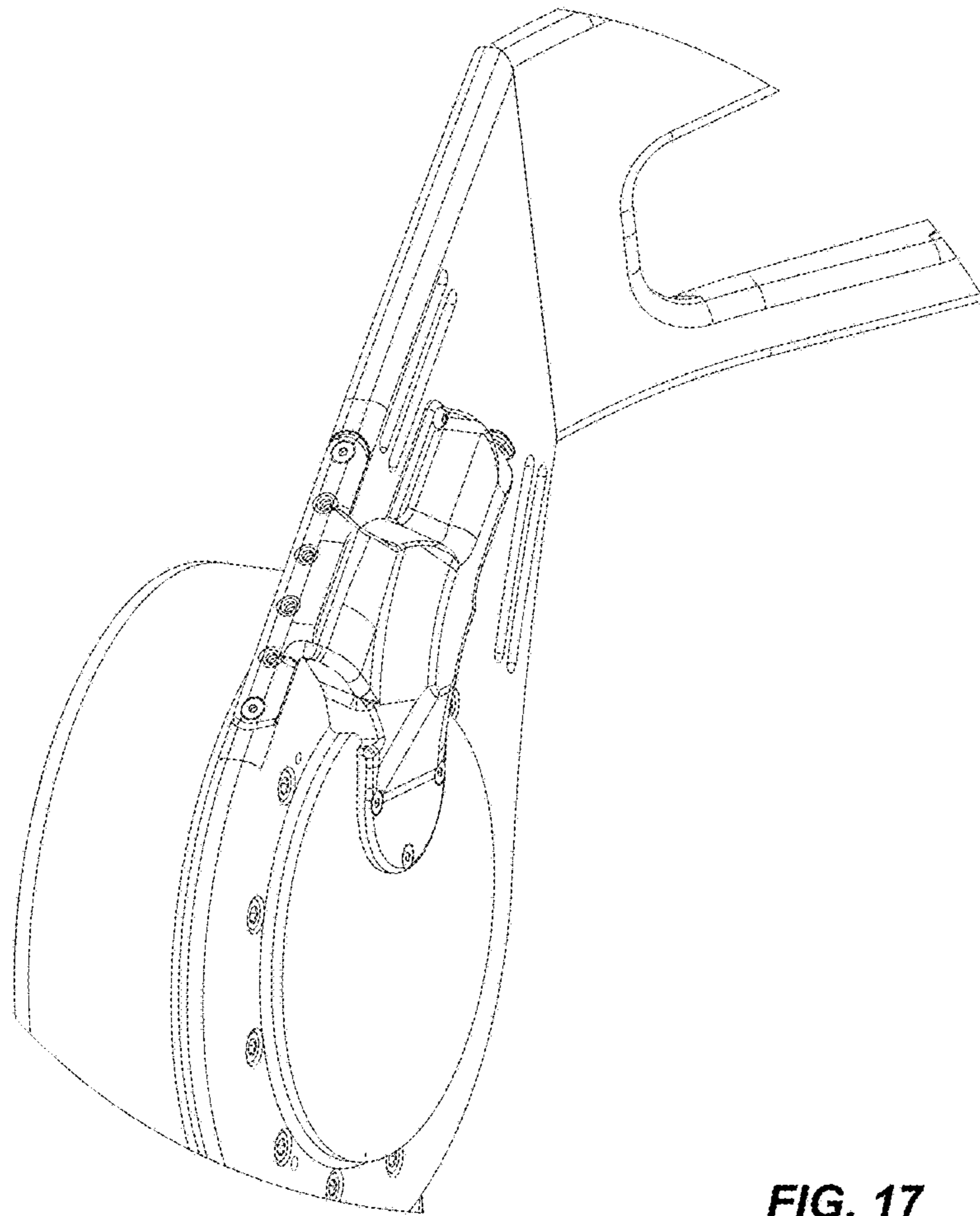


FIG. 17

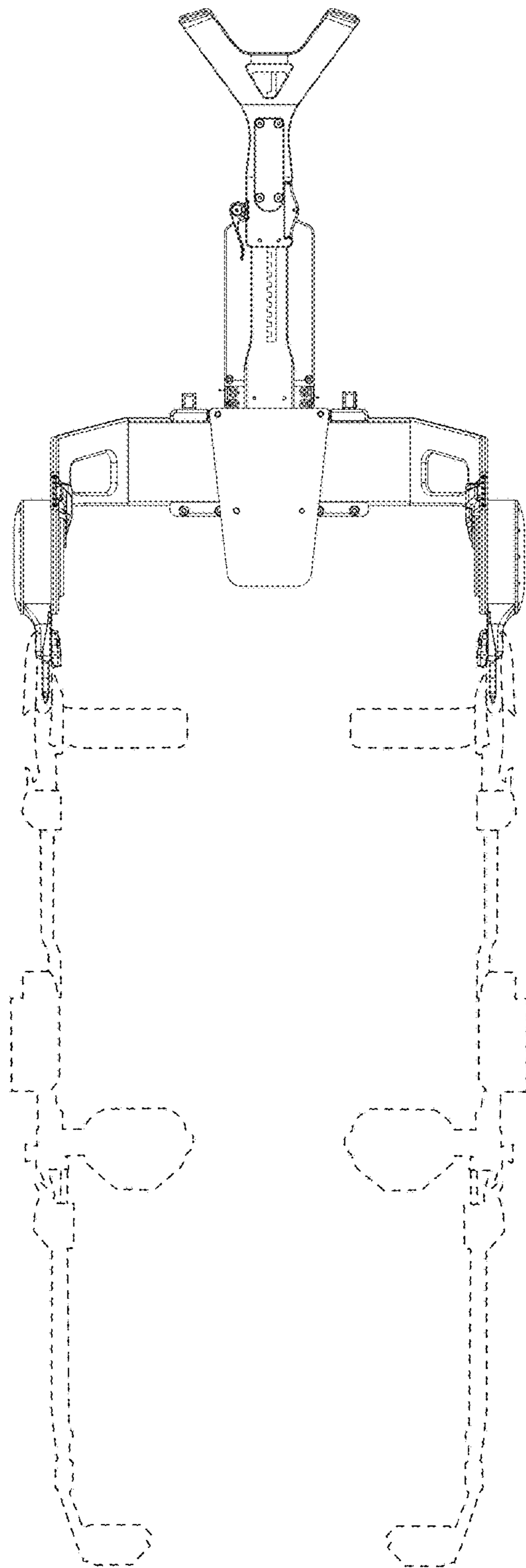


FIG. 18

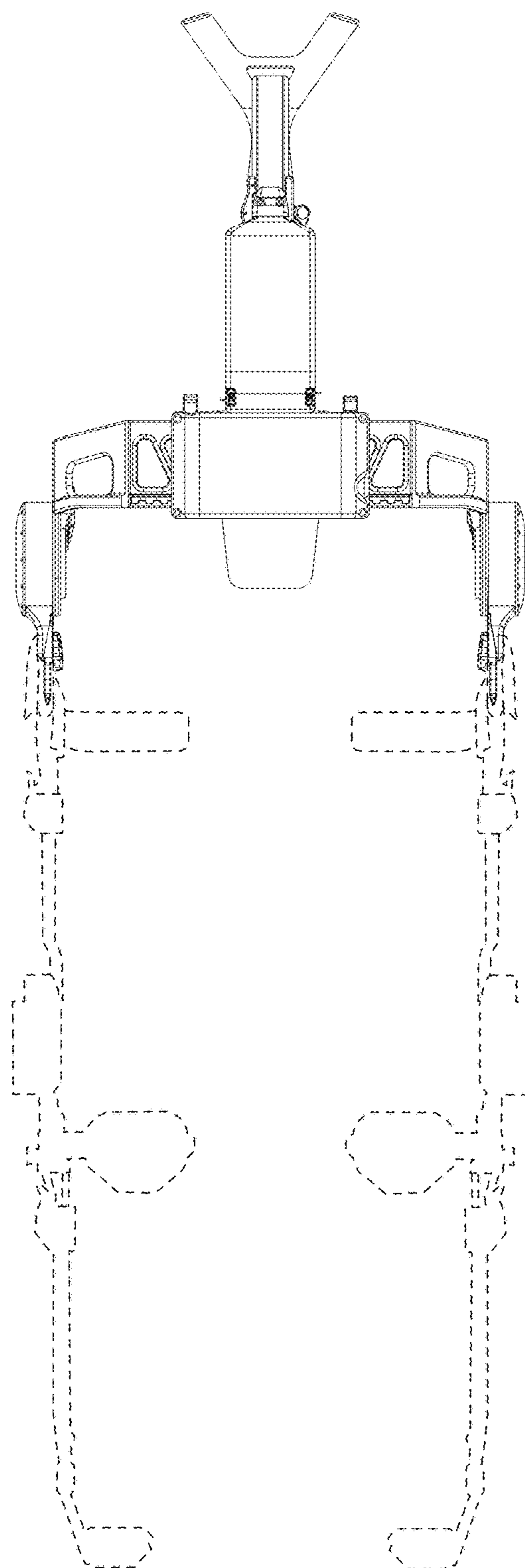


FIG. 19

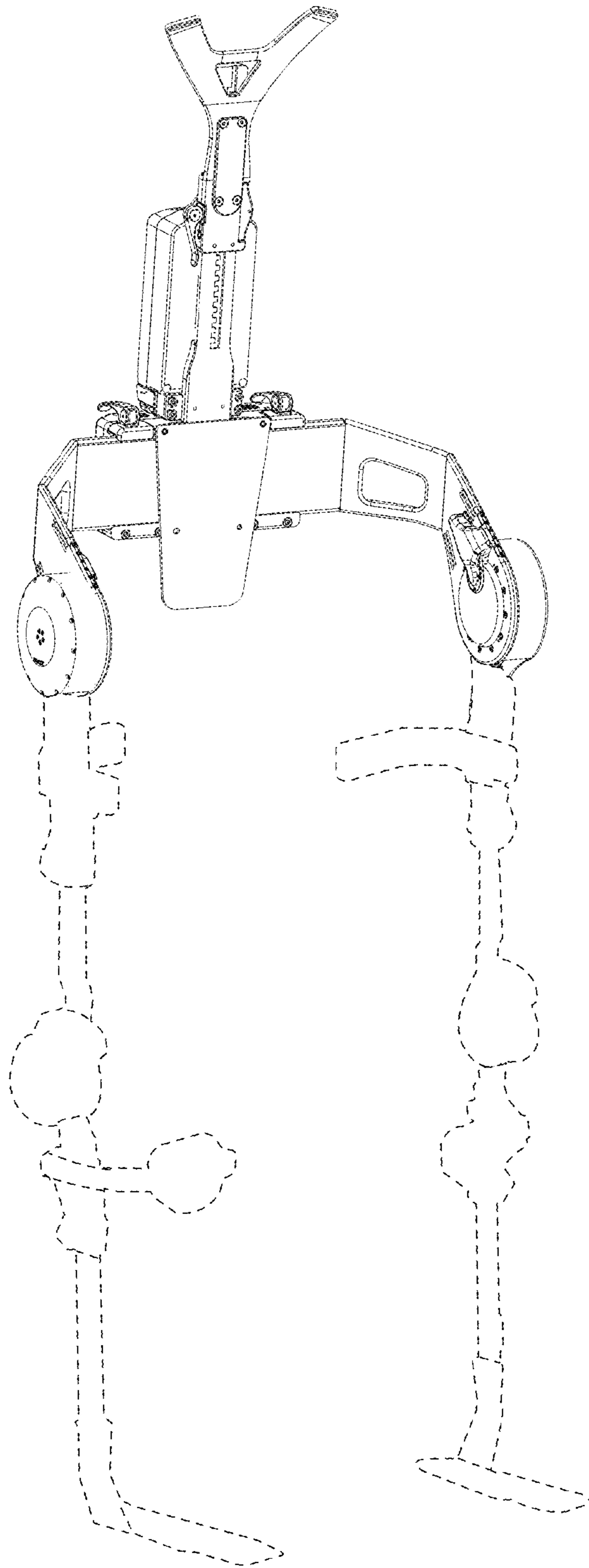


FIG. 20