



US00D851386S

(12) **United States Design Patent**  
**Wang et al.**

(10) **Patent No.:** **US D851,386 S**  
(45) **Date of Patent:** **\*\* Jun. 18, 2019**

(54) **UMBRELLA**  
(71) Applicant: **SUSINO (JINJIANG) UMBRELLA CO., LTD.**, Quanzhou, Fujian Province (CN)

(72) Inventors: **Qingyong Wang**, Fujian (CN); **Shitian Chen**, Quanzhou (CN); **Wenhuang Li**, Quanzhou (CN)

(73) Assignee: **SUSINO (JINJIANG) UMBRELLA CO., LTD.**, Quanzhou (CN)

(\*\*) Term: **15 Years**

(21) Appl. No.: **29/609,974**

(22) Filed: **Jul. 7, 2017**

(51) **LOC (11) Cl.** ..... **03-03**

(52) **U.S. Cl.**  
USPC ..... **D3/5**

(58) **Field of Classification Search**  
USPC ..... D3/5, 6, 10, 12, 16  
CPC ... A45B 11/00; A45B 2011/005; A45B 15/00;  
A45B 19/00; A45B 23/00; A45B 25/14;  
A45B 25/16  
See application file for complete search history.

(56) **References Cited**

**U.S. PATENT DOCUMENTS**

3,802,452 A \* 4/1974 Weber ..... A45B 19/10  
135/25.33  
4,979,535 A \* 12/1990 Sadowski ..... A45B 15/00  
135/33.41  
D408,125 S \* 4/1999 Kupferman ..... D3/5  
D411,762 S \* 7/1999 You ..... D3/6  
D413,198 S \* 8/1999 You ..... D3/5  
D437,109 S \* 2/2001 Muscella ..... D3/5  
D449,436 S \* 10/2001 Baurley ..... D3/5  
D453,415 S \* 2/2002 You ..... D3/5  
D464,481 S \* 10/2002 Webster ..... D3/5  
D467,066 S \* 12/2002 You ..... D3/5

D475,525 S \* 6/2003 You ..... D3/5  
D509,954 S \* 9/2005 Waltz ..... D3/5  
D521,229 S \* 5/2006 Mariano ..... D3/5  
D533,992 S \* 12/2006 You ..... D3/5  
D546,551 S \* 7/2007 de Oliveira Santos ..... D3/5

(Continued)

*Primary Examiner* — John Windmuller  
*Assistant Examiner* — Steven J Czyz  
(74) *Attorney, Agent, or Firm* — Rabin & Berdo, P.C.

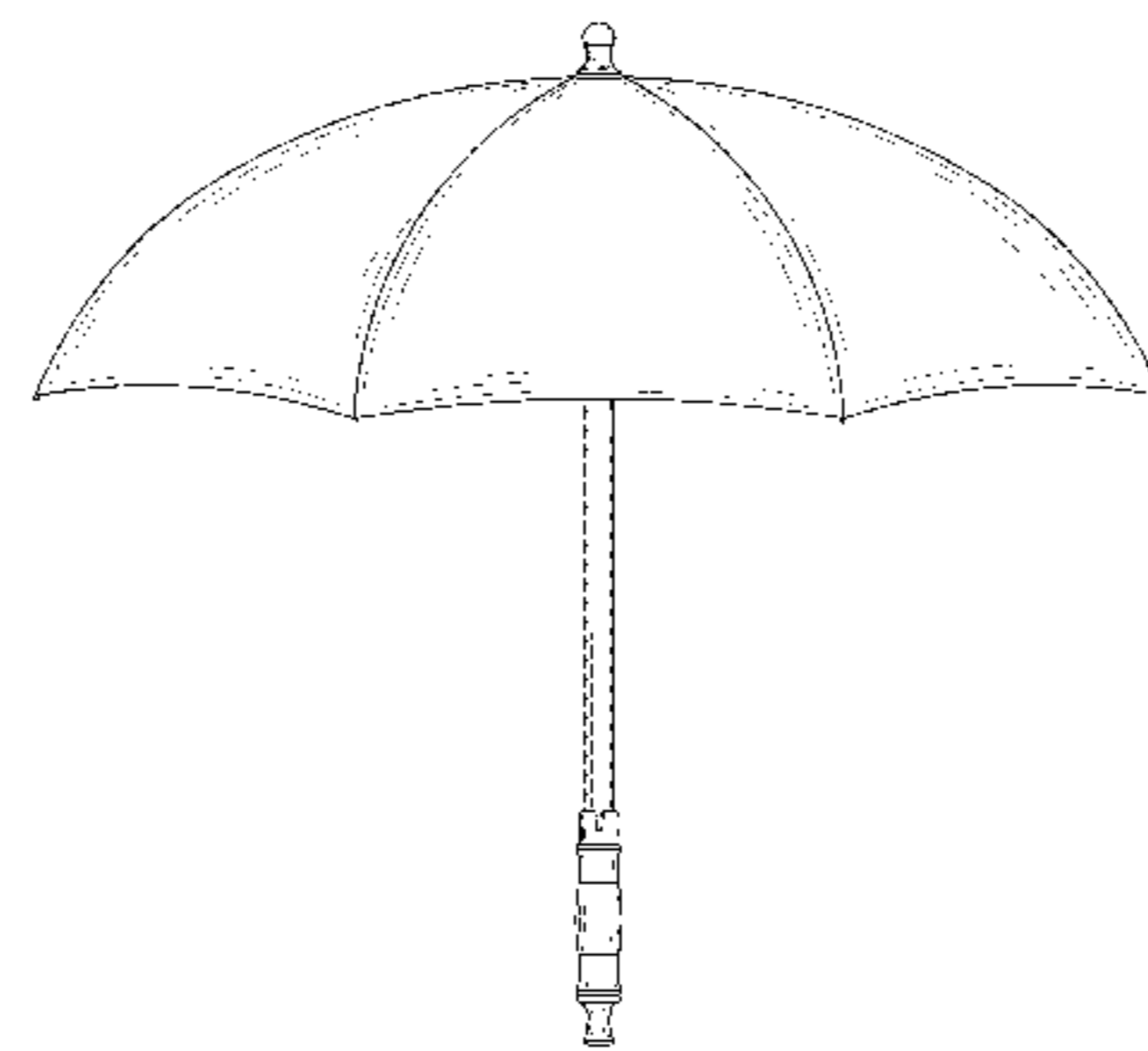
(57) **CLAIM**

The ornamental design for an umbrella, as shown.

**DESCRIPTION**

FIG. 1. is a front view of an umbrella showing my new design;  
FIG. 2. is a rear view thereof;  
FIG. 3. is a left side view thereof;  
FIG. 4. is a right side view thereof;  
FIG. 5. is a top plan view thereof;  
FIG. 6. is a bottom plan view thereof;  
FIG. 7. is a perspective view thereof;  
FIG. 8. is a perspective view showing the handle portion separately from the umbrella;  
FIG. 9. is another perspective view showing the handle portion separately from the umbrella;  
FIG. 10. is another perspective view showing the handle and shaft portion separately from the umbrella;  
FIG. 11. is another perspective view showing the handle and shaft portion separately from the umbrella;  
FIG. 12. is a perspective view showing an enlarged portion of FIG. 9;  
FIG. 13. is a perspective view showing an enlarged portion of FIG. 10;  
FIG. 14. is a perspective view showing an enlarged portion of FIG. 11; and,  
FIG. 15. is a perspective view showing another enlarged portion of FIG. 11.

**1 Claim, 15 Drawing Sheets**



(56)

**References Cited**

## U.S. PATENT DOCUMENTS

D696,510	S *	12/2013	Su	.....	D3/5
D699,937	S *	2/2014	Di Cesare	.....	D3/5
D707,037	S *	6/2014	Tetsuro	.....	D3/5
D721,885	S *	2/2015	Ranginwala	.....	D3/16
D731,165	S *	6/2015	Principi	.....	D3/5
D737,565	S *	9/2015	Di Cesare	.....	D3/5
D741,590	S *	10/2015	Varga	.....	D3/5
D752,853	S *	4/2016	Sugita	.....	D3/10
D765,387	S *	9/2016	Chow	.....	D3/5
9,538,819	B1 *	1/2017	Hayes	.....	A45B 25/18
D797,437	S *	9/2017	Liu	.....	D3/5
2006/0207640	A1 *	9/2006	Connelly	.....	A45B 11/00 135/33.41
2006/0266395	A1 *	11/2006	Chuang	.....	A45B 25/06 135/28
2010/0031984	A1 *	2/2010	Oh	.....	A45B 19/04 135/25.4
2015/0083173	A1 *	3/2015	Lorenz	.....	A45B 11/04 135/33.7
2016/0360841	A1 *	12/2016	Ho	.....	A45B 9/02
2017/0156460	A1 *	6/2017	Liu	.....	A45B 25/22
2017/0354214	A1 *	12/2017	Nevola	.....	A45B 25/143
2018/0000211	A1 *	1/2018	Nagelberg	.....	A45B 25/16

\* cited by examiner



FIG. 1



FIG. 2



FIG. 3



FIG. 4

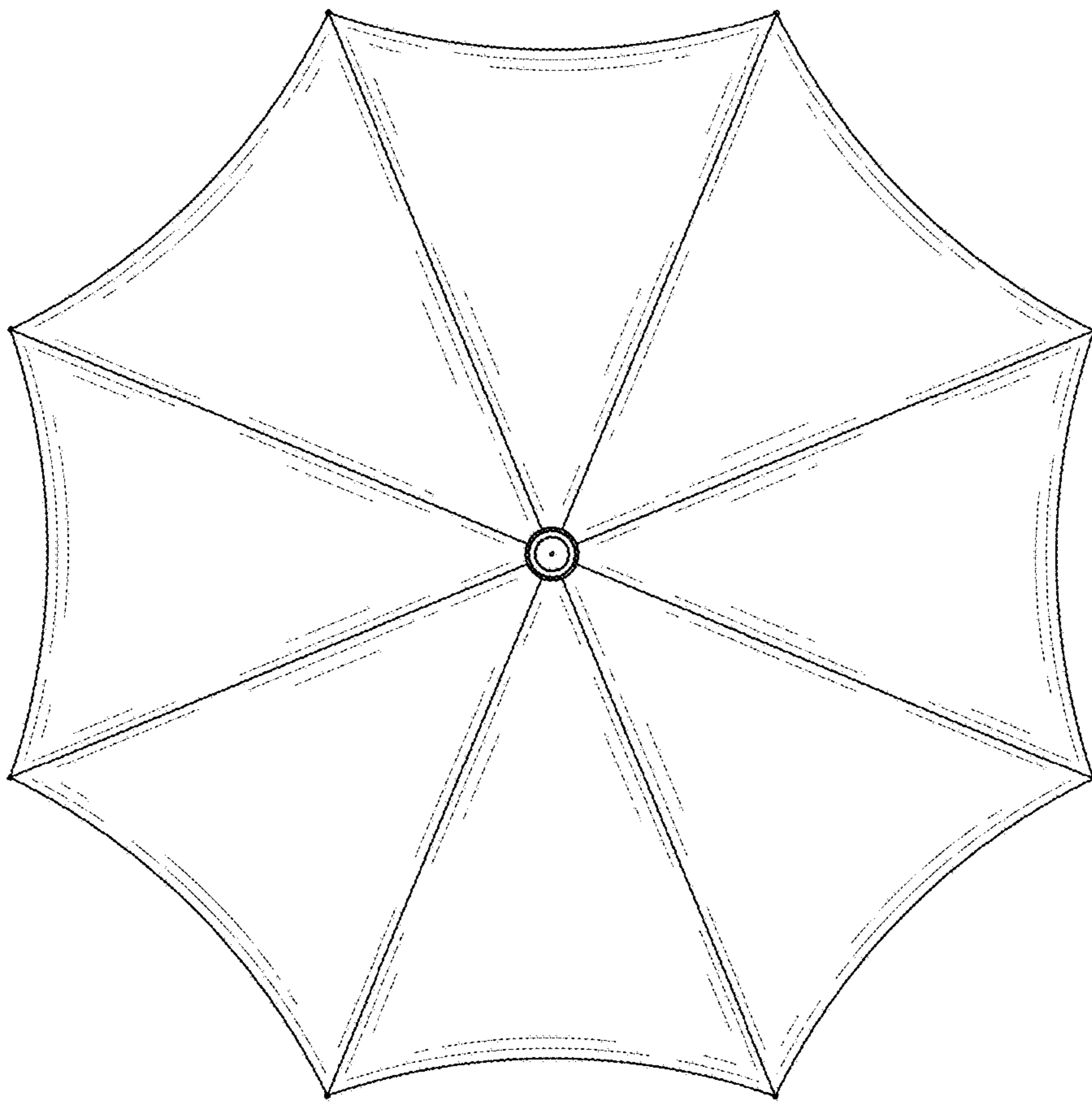


FIG. 5

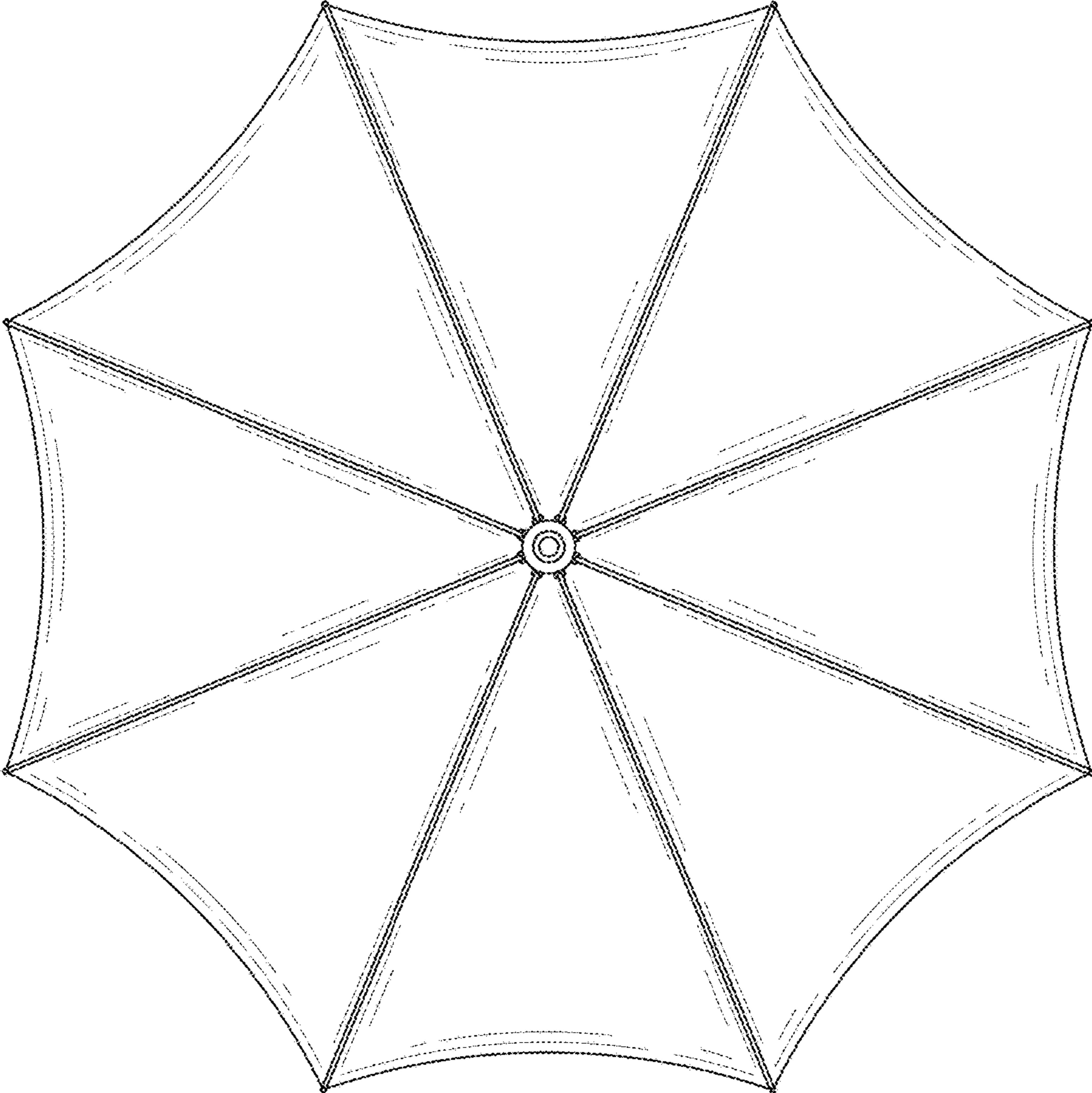


FIG. 6





FIG. 7

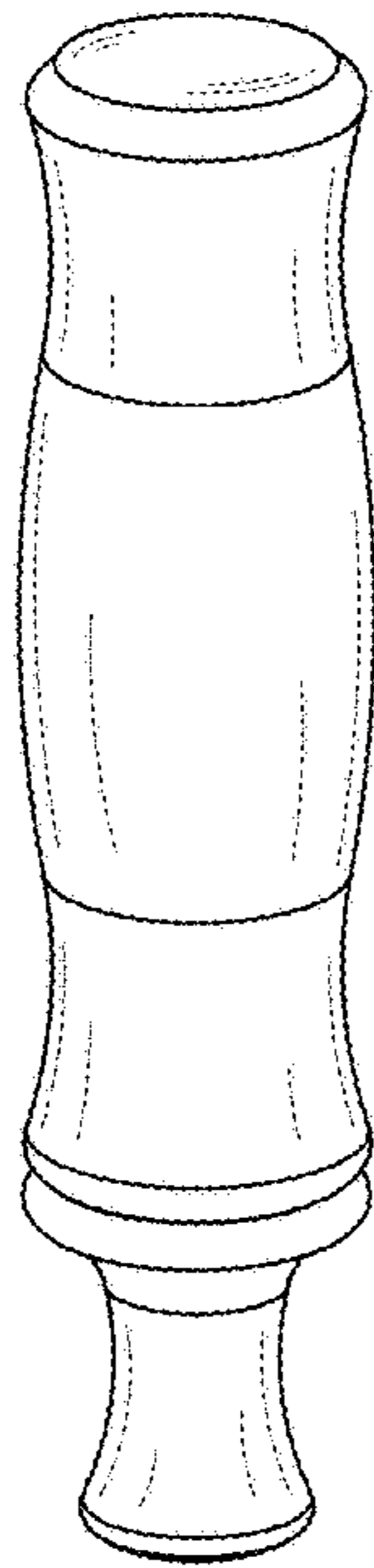


FIG. 8

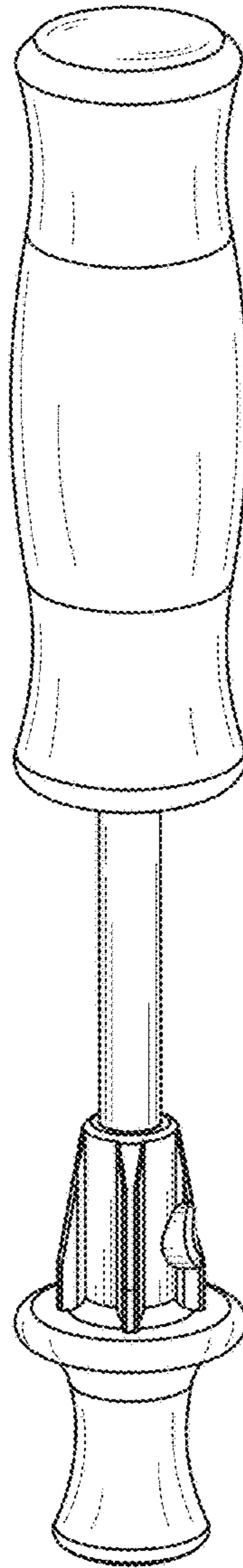


FIG. 9

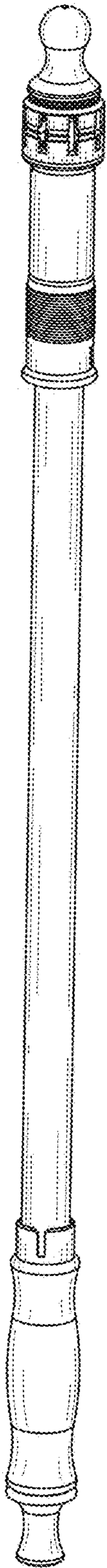


FIG. 10

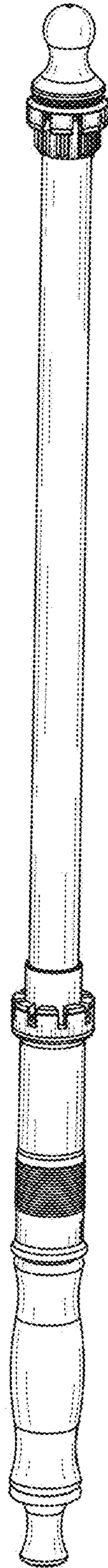


FIG. 11

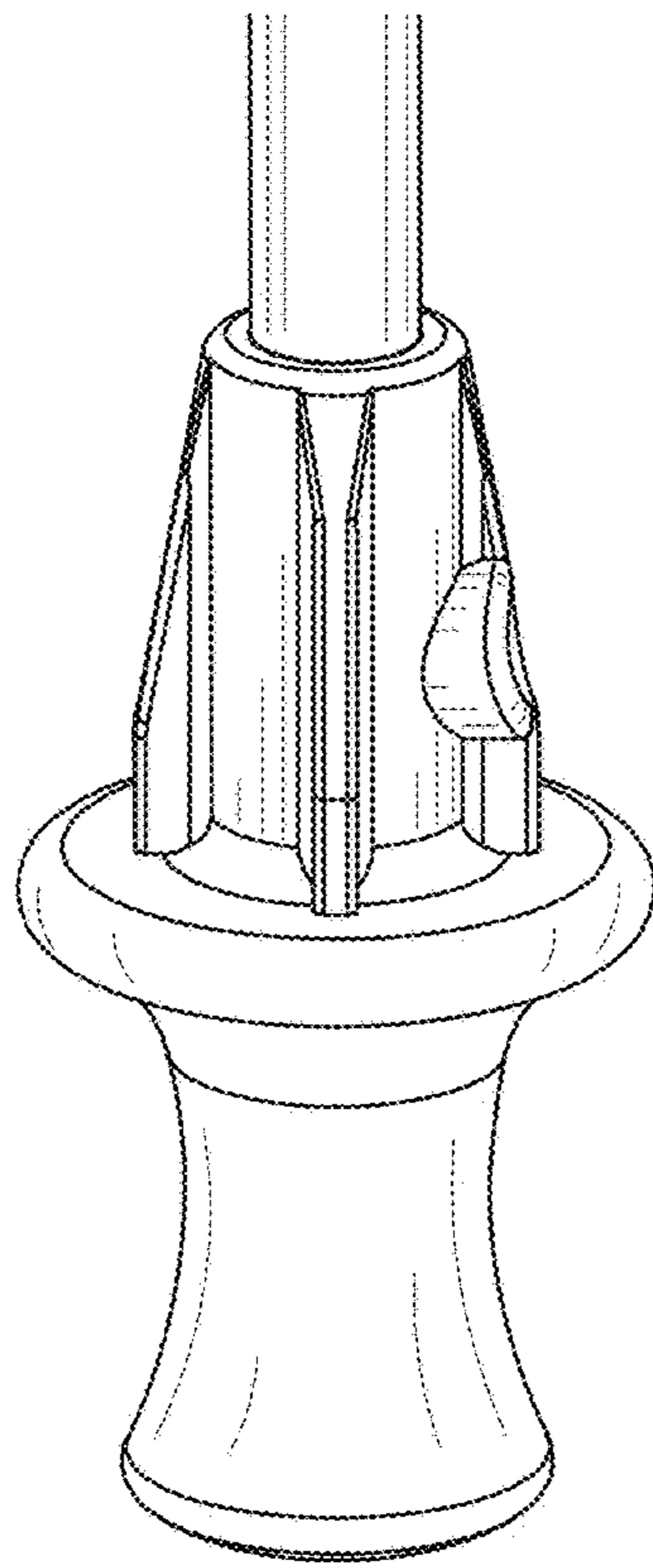


FIG. 12

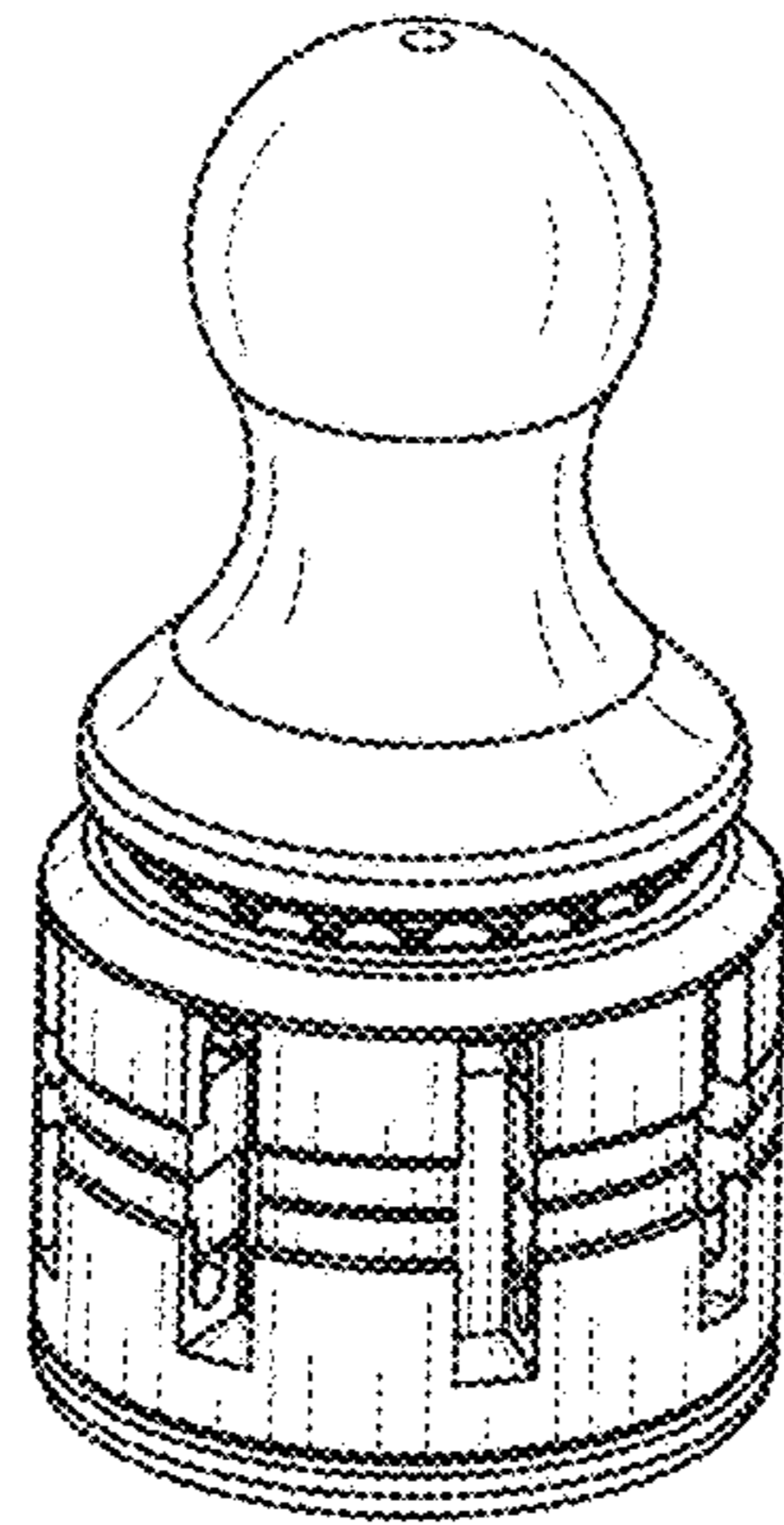


FIG. 13

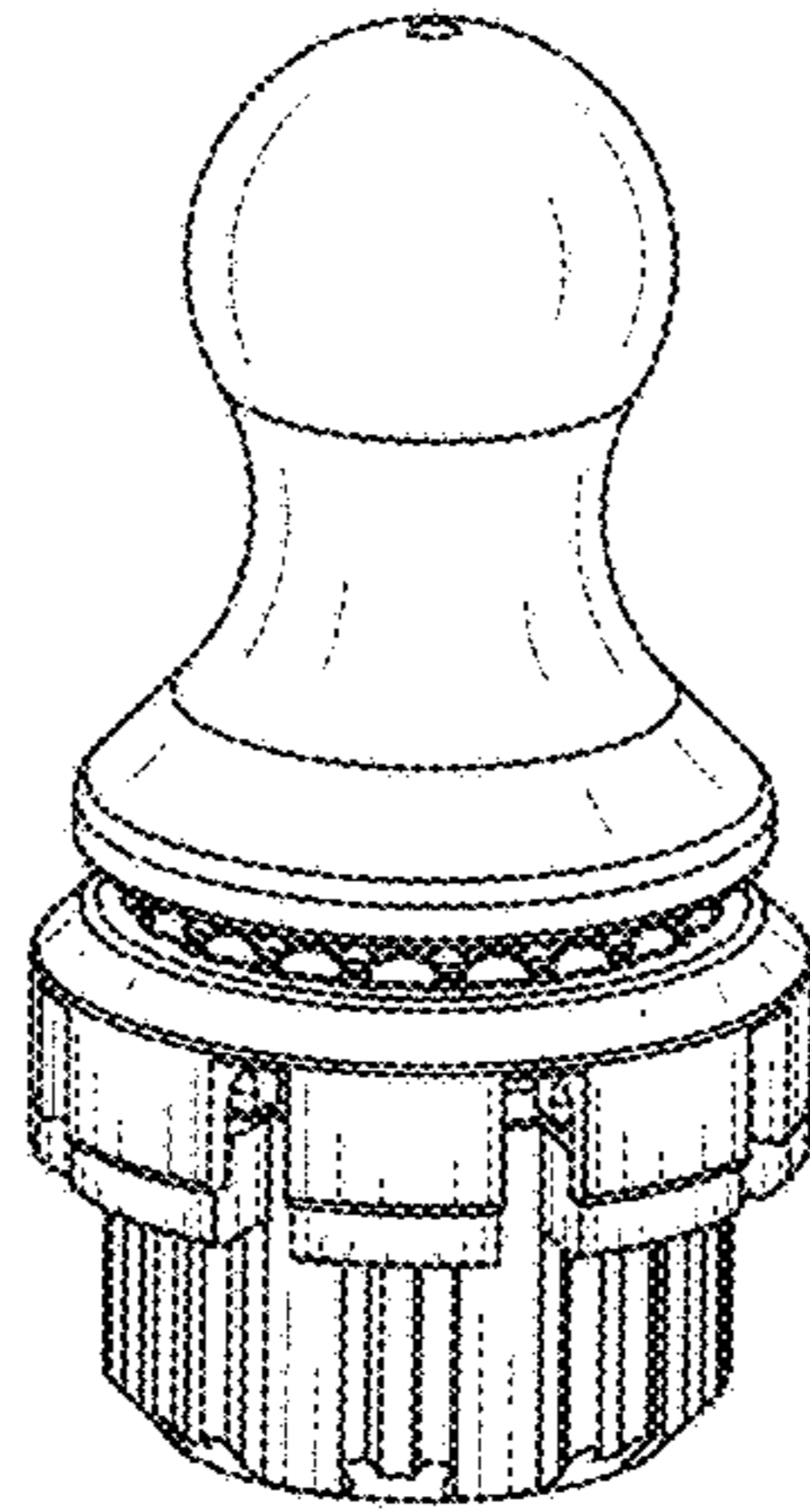


FIG. 14



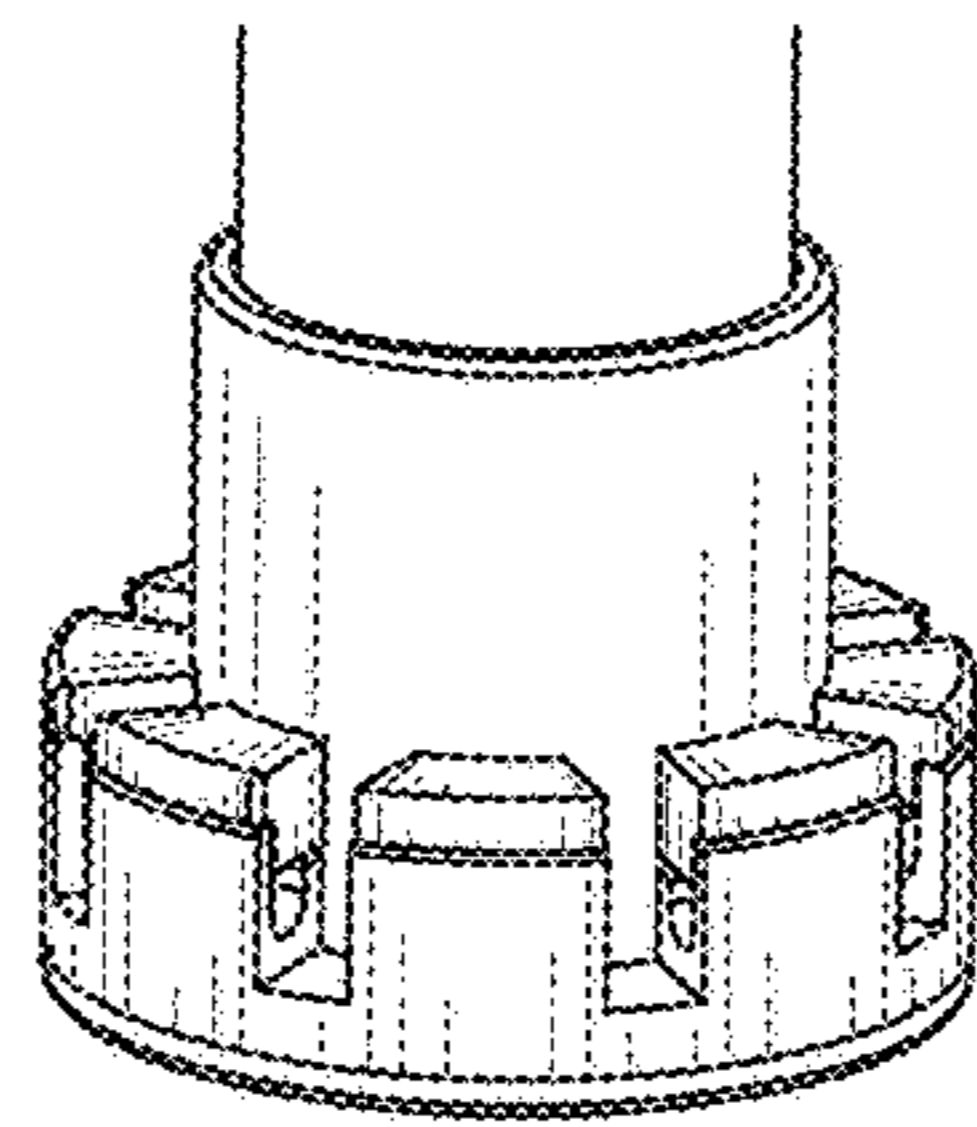


FIG. 15