



US00D851379S

(12) **United States Design Patent**
Dieudonné

(10) **Patent No.:** **US D851,379 S**
(45) **Date of Patent:** **** Jun. 18, 2019**

- (54) **SHOE**
- (71) Applicant: **NIKE, Inc.**, Beaverton, OR (US)
- (72) Inventor: **Mélusine Dieudonné**, Portland, OR (US)
- (73) Assignee: **NIKE, Inc.**, Beaverton, OR (US)
- (**) Term: **15 Years**

D331,827 S	12/1992	Coley et al.
D334,649 S	4/1993	McDonald
D347,724 S	6/1994	Teague
D355,977 S	3/1995	Teague
D377,412 S	1/1997	Longbottom et al.
D470,301 S	2/2003	Lotti
D486,630 S	2/2004	Robbins
D490,230 S	5/2004	Mervar
D512,826 S	12/2005	Hatfield
D517,298 S	3/2006	James
D524,518 S *	7/2006	James D2/896

(Continued)

- (21) Appl. No.: **29/638,451**
- (22) Filed: **Feb. 27, 2018**
- (51) **LOC (11) Cl.** **02-99**
- (52) **U.S. Cl.**
USPC **D2/972**
- (58) **Field of Classification Search**
USPC D2/896, 902, 906-908, 946, 947, 969,
D2/972-974; D5/47, 49, 50, 53, 54, 56,
D5/60
CPC ... A43B 13/181; A43B 13/141; A43B 13/186;
A43B 13/188; A43B 23/00; A43B 23/02;
A43B 5/00; A43B 23/26; A43B 1/04;
A43B 11/14; A43B 7/00; A43B 3/12;
A43C 3/00; A43C 5/00; A43C 7/00;
A43C 11/004
See application file for complete search history.

- (56) **References Cited**
U.S. PATENT DOCUMENTS
- | | | |
|-------------|--------|--------------------|
| 4,282,657 A | 8/1981 | Antonious |
| 4,308,672 A | 1/1982 | Antonious |
| D272,771 S | 2/1984 | Muller Feigelstock |
| D274,290 S | 6/1984 | Migdown |
| D280,567 S | 9/1985 | Ji |
| D283,173 S | 4/1986 | Malone |
| D293,500 S | 1/1988 | Tong et al. |
| D296,036 S | 6/1988 | Le |
| D296,491 S | 7/1988 | Diaz |
| D328,517 S | 8/1992 | Hallenbeck |

OTHER PUBLICATIONS

Nike Footwear Catalog, 1989 Fall Footwear, p. 84, published Dec. 1988, NIKE, Inc., USA.
(Continued)

Primary Examiner — Dominic V Simone
(74) *Attorney, Agent, or Firm* — Banner & Witcoff, Ltd.

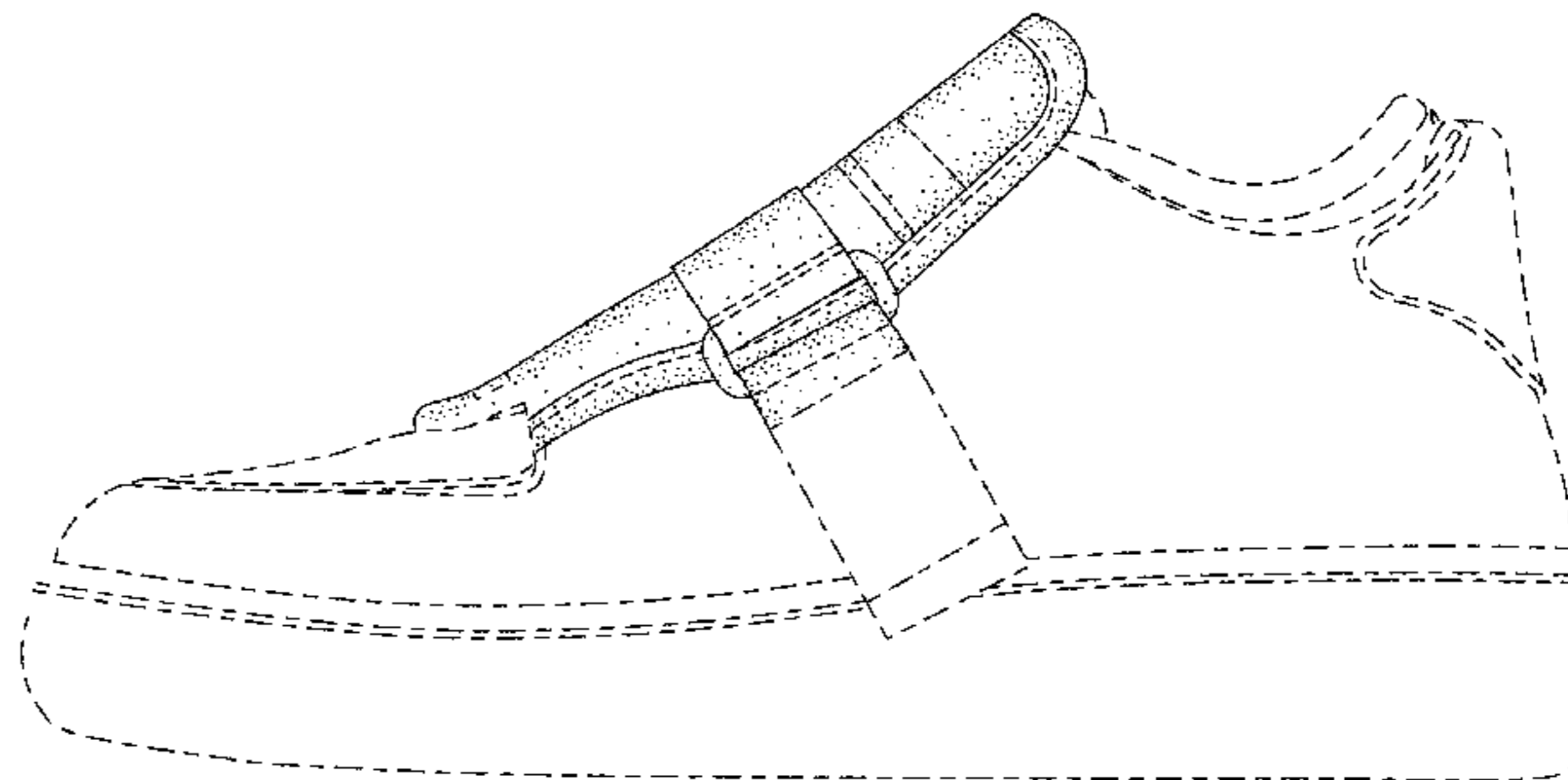
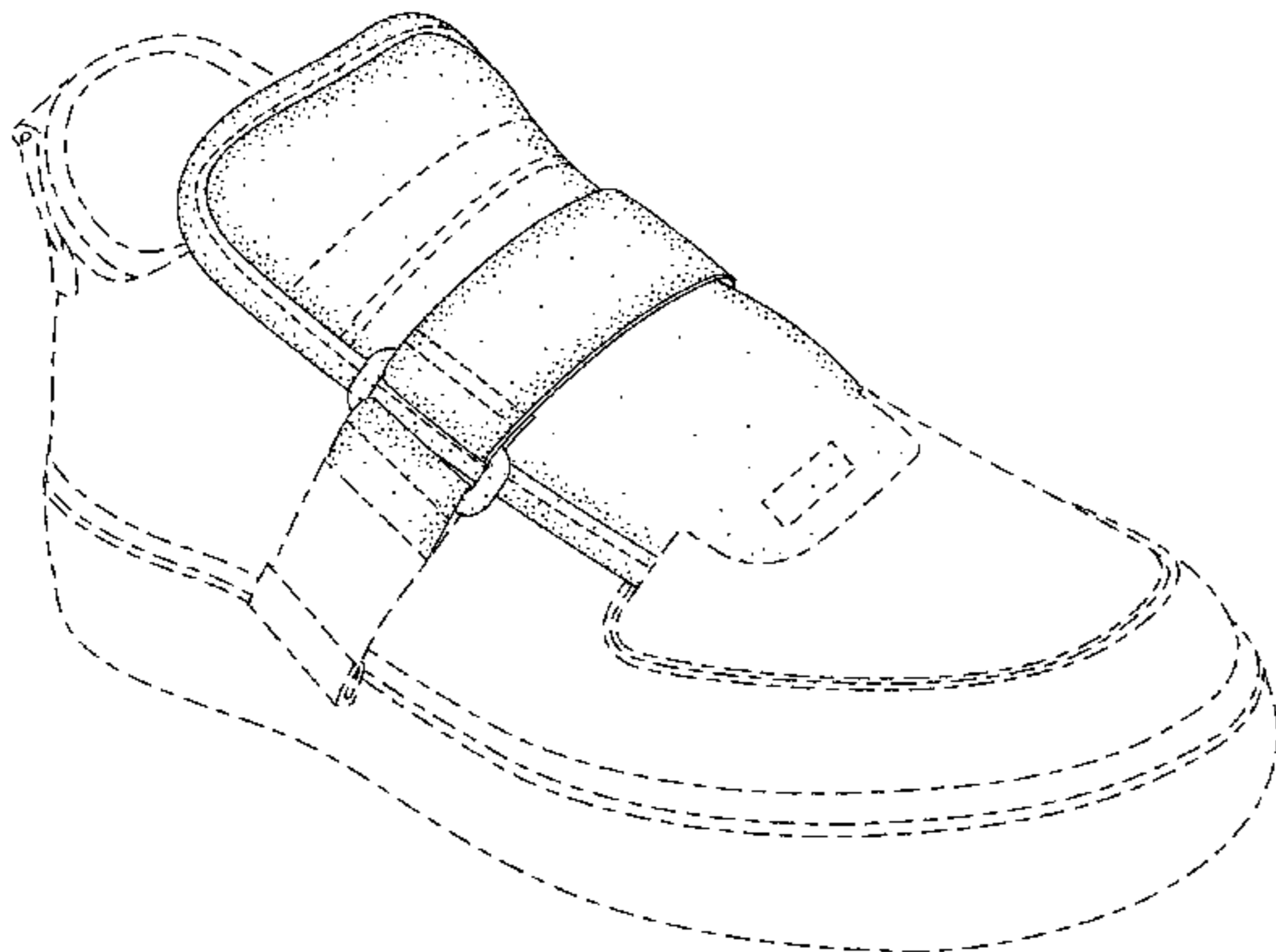
(57) **CLAIM**

The ornamental design for a shoe, as shown and described.

DESCRIPTION

FIG. 1 is a front perspective view of a shoe showing my new design;
FIG. 2 is a side view thereof;
FIG. 3 is an opposite side view thereof;
FIG. 4 is a top view thereof; and,
FIG. 5 is the front perspective view of FIG. 1 with some environmental subject matter omitted.
The uneven-length broken lines immediately adjacent to the shaded area define the bounds of the claimed design and form no part thereof. The even-length broken lines within the shaded area represent unclaimed stitching and form no part of the claimed design. The uneven-length broken lines depicting the remainder of the shoe show features that form no part of the claimed design.

1 Claim, 5 Drawing Sheets



(56)

References Cited

U.S. PATENT DOCUMENTS

D540,519 S *	4/2007	Hobson	D2/969
D541,512 S *	5/2007	Belley	D2/969
D544,699 S	6/2007	Link	
D545,049 S	6/2007	Dirsa	
D545,051 S	6/2007	Roulo	
D546,537 S	7/2007	Petrie	
D556,434 S	12/2007	Walton	
D561,431 S	2/2008	Walton et al.	
D571,990 S *	7/2008	James	D2/969
D597,284 S	8/2009	Loverin	
D597,292 S	8/2009	Schoenborn et al.	
D607,185 S	1/2010	Soon	
D629,594 S	12/2010	Mann	
D633,697 S	3/2011	Mann	
D641,546 S	7/2011	Choi	
D641,963 S	7/2011	Choi	
D656,715 S	4/2012	Katz et al.	
D700,766 S	3/2014	Bramani et al.	
D762,956 S	8/2016	McClaskie	
D771,932 S	11/2016	Little	
D795,563 S *	8/2017	Durand	D2/973
D807,006 S *	1/2018	Ringholz	D2/969
D807,007 S *	1/2018	Ringholz	D2/969
D808,150 S *	1/2018	Durflinger	D2/973
D809,278 S *	2/2018	Petrie	D2/973
D811,057 S	2/2018	Zanotti	
D816,316 S *	5/2018	Petrie	D2/973
D828,993 S *	9/2018	Gibson	D2/972
D836,898 S *	1/2019	Shyllon	D2/972

OTHER PUBLICATIONS

Nike Footwear Catalog, 1992 Fall Footwear, p. 100, published Dec. 1991, NIKE, Inc., USA.

Nike Footwear Catalog, 1993 Spring Footwear, p. 24, published Jun. 1992, NIKE, Inc., USA.
 Nike Footwear Catalog, 1993 Spring Footwear, p. 30, published Jun. 1992, NIKE, Inc., USA.
 Nike Footwear Catalog, 2005 Spring Footwear, p. 31, published Jun. 2004, NIKE, Inc., USA.
 Nike Footwear Catalog, 2005 Spring Footwear, p. 35, published Jun. 2004, NIKE, Inc., USA.
 Nike Footwear Catalog, 2013 Fall Action Sports Footwear, p. 82, published Nov. 2012, NIKE, Inc., USA.
 Nike Footwear Catalog, 2013 Spring Core Footwear, p. 83, published May 2012, NIKE, Inc., USA.
 Nike Footwear Catalog, 2013 Spring Mens Performance Footwear, p. 25, published May 2012, NIKE, Inc., USA.
 Nike Footwear Catalog, 2013 Spring Mens Performance Footwear, p. 26, published May 2012, NIKE, Inc., USA.
 Nike Footwear Catalog, 2013 Spring Mens Sportswear Footwear Best, p. 34, published May 2012, NIKE, Inc., USA.
 Nike Footwear Catalog, 2018 Holiday Young Athletes, p. 170, published date unknown, but prior to the filing date of the present application, NIKE, Inc., USA.
 Nike Footwear Catalog, 2018 Holiday Young Athletes, p. 174, published date unknown, but prior to the filing date of the present application, NIKE, Inc., USA.
 15 Facts You May Not Know About the Nike Air Force 1 [online], [retrieved Nov. 16, 2017], Retrieved from Highsnobiety.com [Internet] <URL: <https://www.highsnobiety.com/2017/02/01/nike-air-force-1-strange-facts/>>; 11 color sheets, Dated Feb. 1, 2017.
 Nike is Releasing New Special Field Air Force 1 Styles Soon, But There's a Catch [online], [retrieved Nov. 16, 2017], Retrieved from Footwearnews.com [Internet] <URL: <http://footwearnews.com/2017/focus/athletic-outdoor/7-upcoming-styles-nike-special-field-air-force-1-358960/>>; 7 color sheets, Dated May 22, 2017.

* cited by examiner

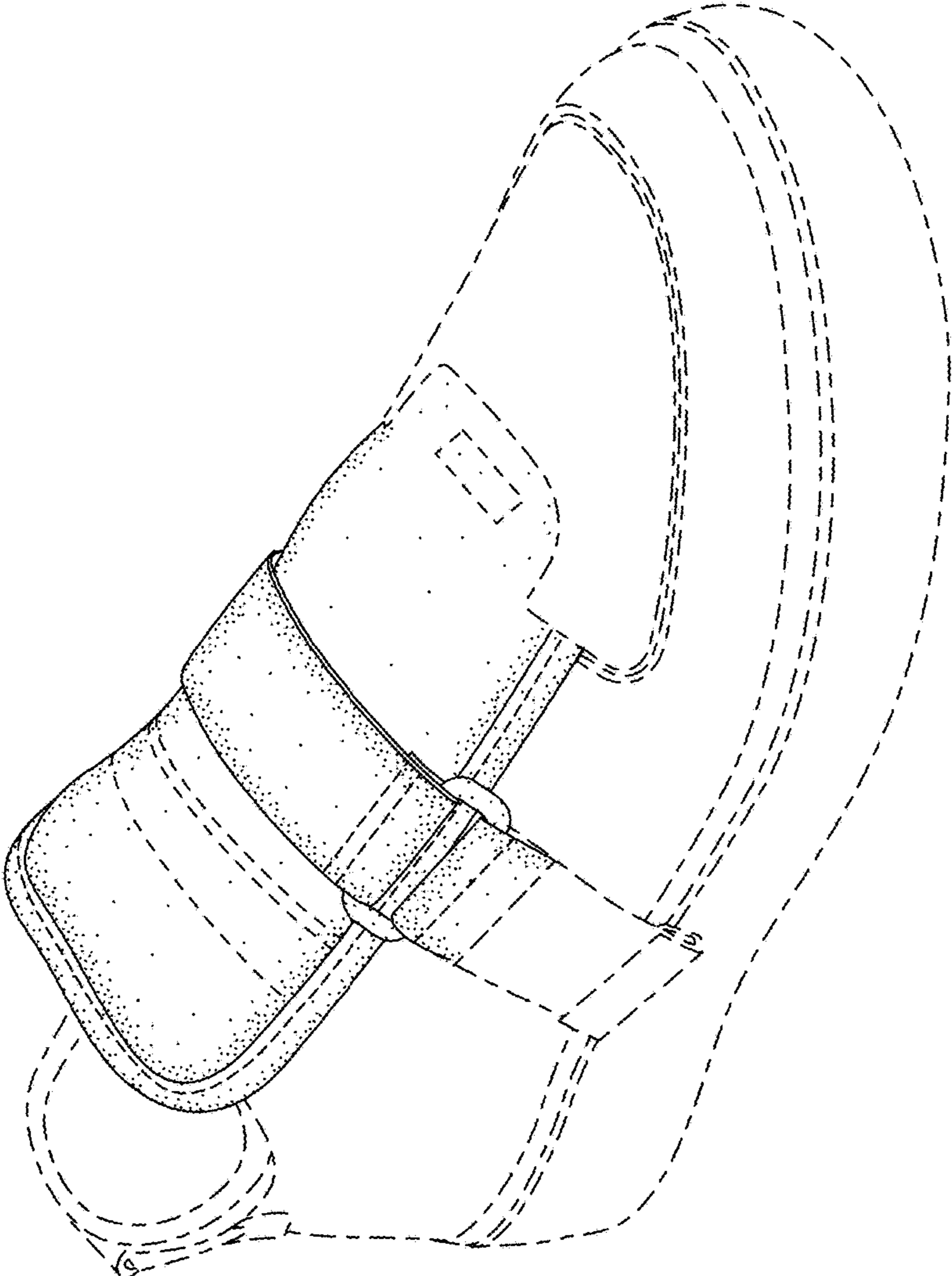


FIG. 1

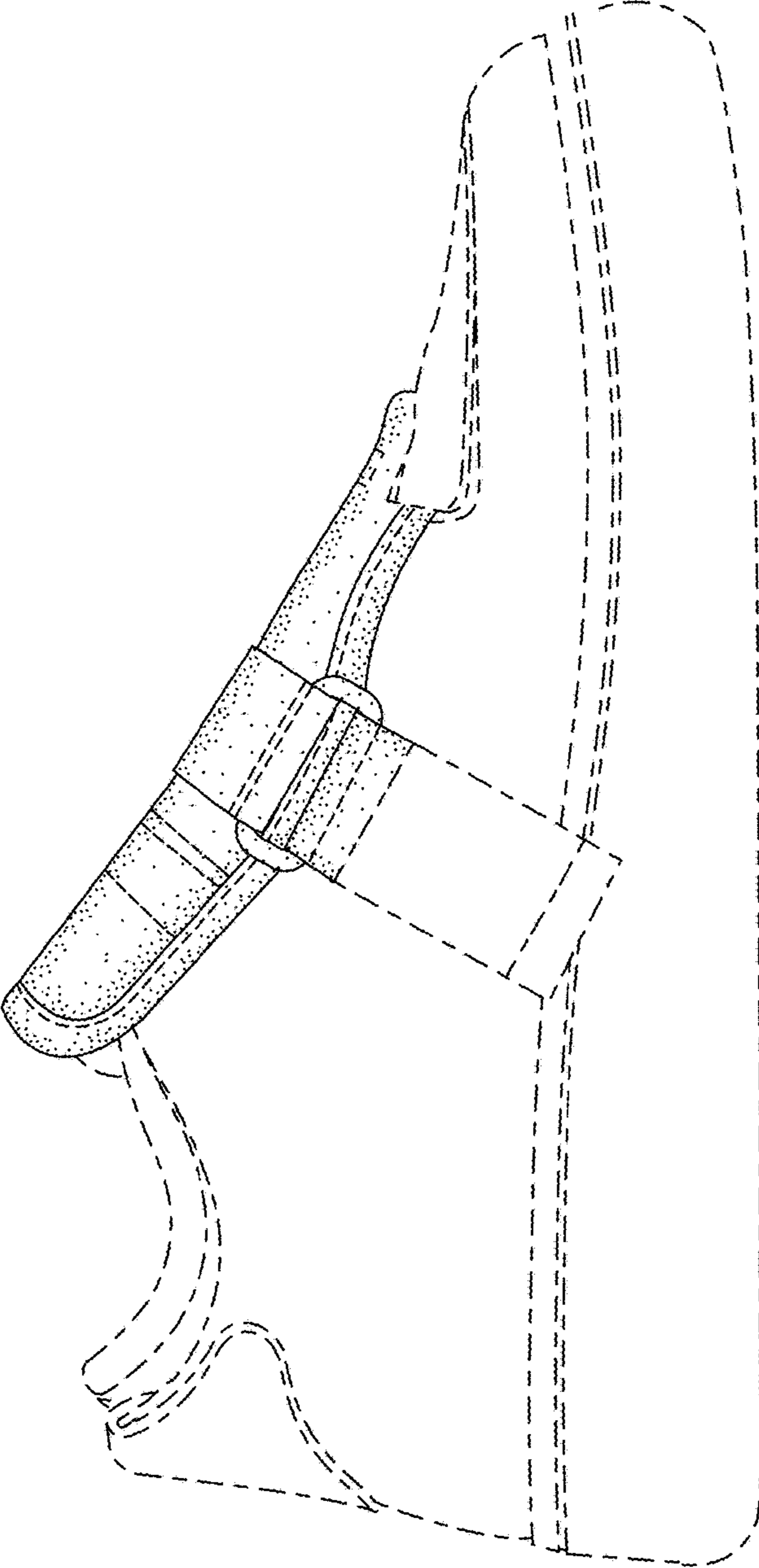


FIG. 2

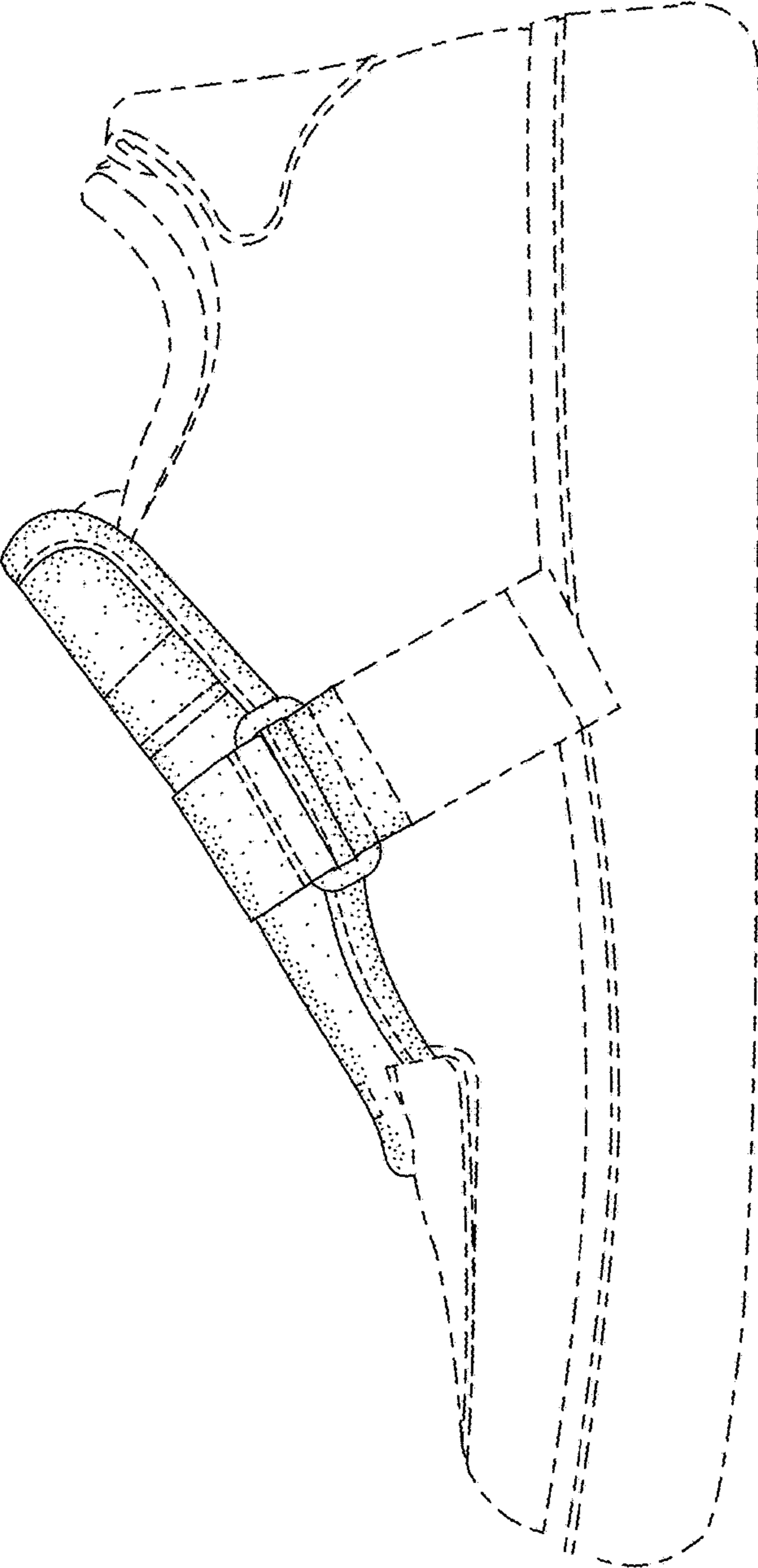


FIG. 3

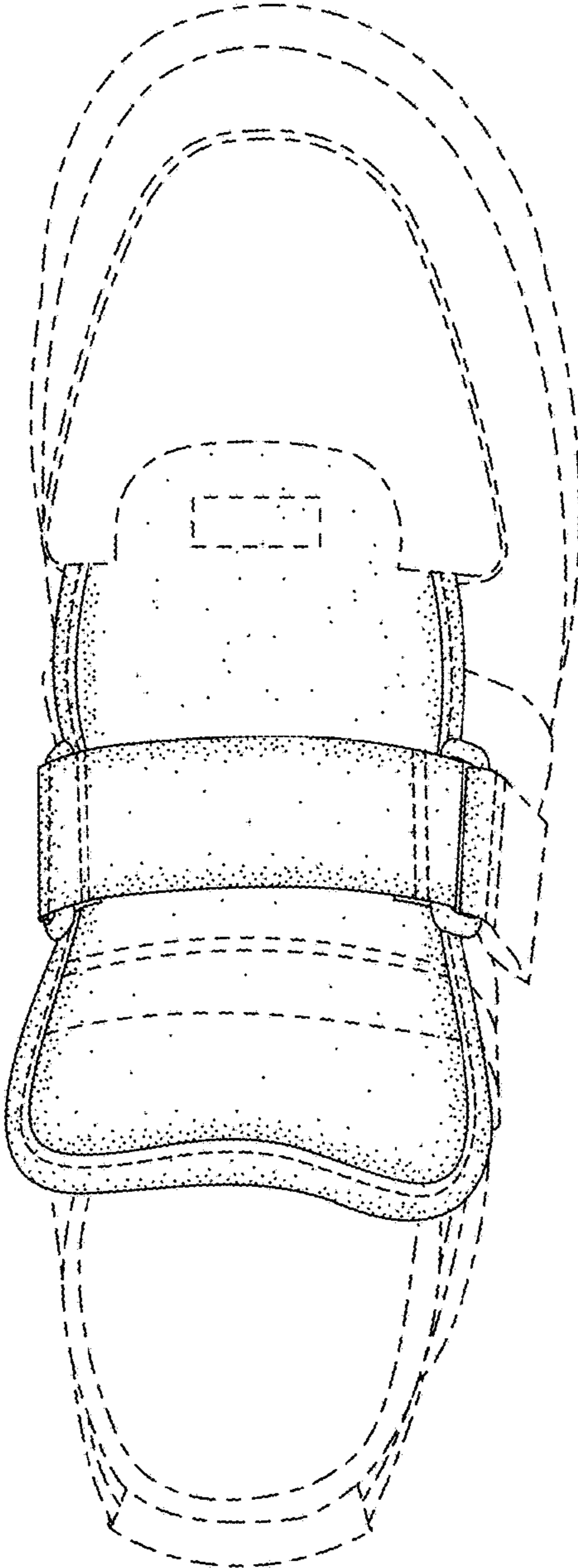


FIG. 4

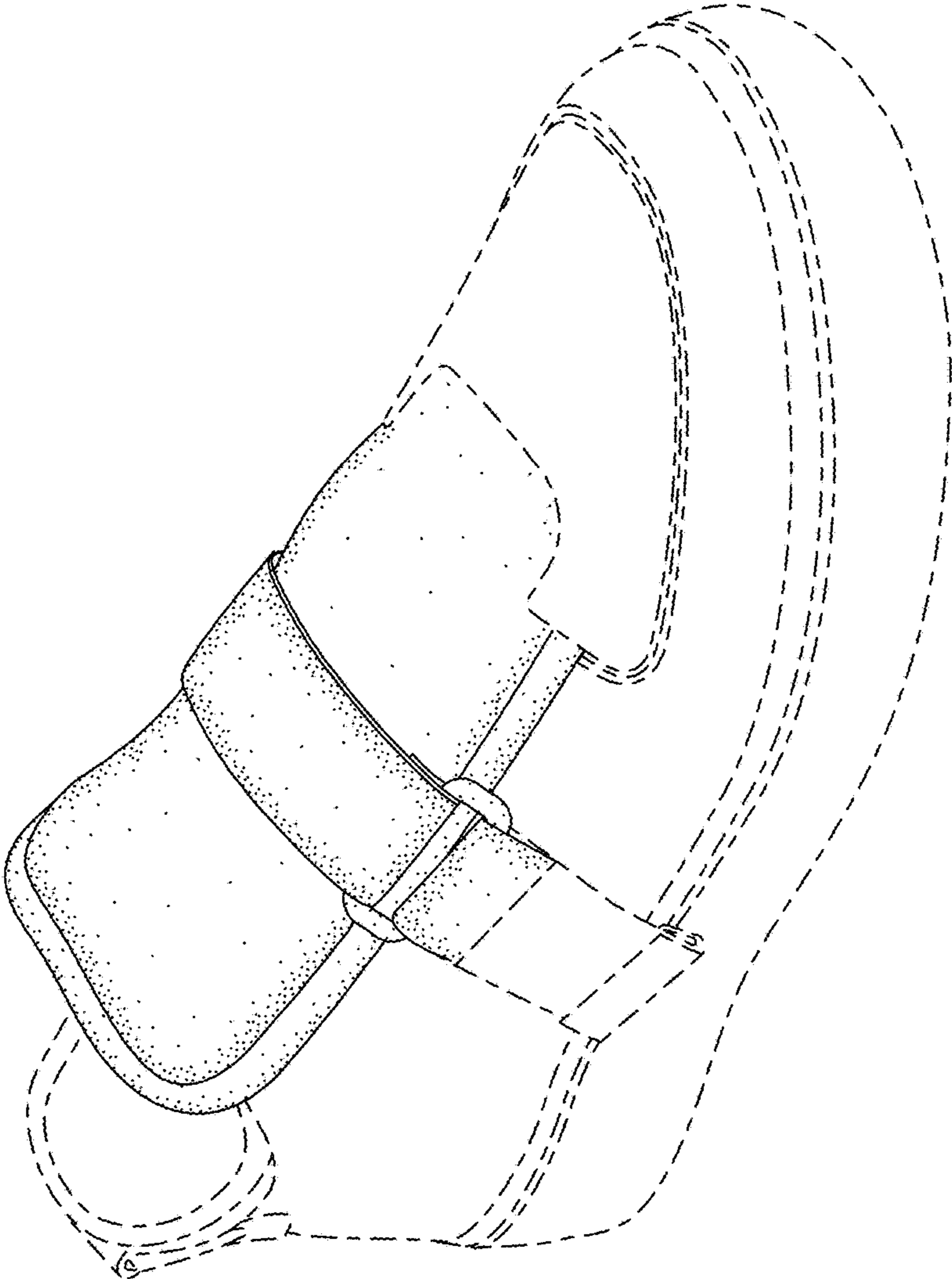


FIG. 5