



US00D851367S

(12) **United States Design Patent**  
**Frantz**

(10) **Patent No.:** **US D851,367 S**  
(45) **Date of Patent:** **\*\* Jun. 18, 2019**

- (54) **BOOT**
- (71) Applicant: **Skechers U.S.A., Inc. II**, Manhattan Beach, CA (US)
- (72) Inventor: **James Frantz**, Stroudsburg, PA (US)
- (73) Assignee: **Skechers U.S.A., Inc. II**, Manhattan Beach, CA (US)
- (\*\*) Term: **15 Years**
- (21) Appl. No.: **29/666,070**
- (22) Filed: **Oct. 9, 2018**
- (51) **LOC (11) Cl.** ..... **02-04**
- (52) **U.S. Cl.**  
USPC ..... **D2/910; D2/970**
- (58) **Field of Classification Search**  
USPC ..... D2/896-900, 909-911, 919, 946, 969, D2/970, 974  
CPC ..... A43B 3/30; A43B 3/14; A43B 23/00-022; A43B 23/25; A43B 3/02; A43B 3/16  
See application file for complete search history.

(56) **References Cited**

**U.S. PATENT DOCUMENTS**

D76,233 S *	9/1928	Golden	.....	D2/900
D93,962 S	12/1934	Benjamin		
D95,856 S	6/1935	Miller		
D95,870 S	6/1935	Sofransky		
D98,782 S	3/1936	Sholtz		
D100,730 S	8/1936	Jayne		
D105,304 S *	7/1937	Troy	.....	D2/910
D129,277 S	9/1941	Sutcliffe		
D129,279 S	9/1941	Sutcliffe		
D136,614 S	11/1943	Baudendistel		
D136,615 S	11/1943	Crawford		
D151,099 S	9/1948	Strauss		
D439,030 S *	3/2001	Bernath	.....	D2/900

D640,450 S *	6/2011	Exton	.....	D2/910
D664,335 S	7/2012	Mira		
D706,024 S *	6/2014	Ng	.....	D2/970
D711,077 S	8/2014	Bell		
D787,172 S	5/2017	Buscemi		
D788,432 S *	6/2017	MacIntyre	.....	D2/970
D792,081 S	7/2017	Law		
D814,162 S *	4/2018	MacIntyre	.....	D2/970
D825,172 S *	8/2018	Prochmann	.....	D2/976

\* cited by examiner

*Primary Examiner* — Rashida C. Walshon

(74) *Attorney, Agent, or Firm* — Marshall A. Lerner; Marvin H. Kleinberg; Kleinberg & Lerner, LLP

(57) **CLAIM**

The ornamental design for a boot, as shown and described.

**DESCRIPTION**

FIG. 1 is a perspective view of a first embodiment of a boot in accordance with my new design.  
 FIG. 2 is a front elevation view thereof;  
 FIG. 3 is a rear elevation view thereof;  
 FIG. 4 is a left side view thereof;  
 FIG. 5 is a right side view thereof;  
 FIG. 6 is a top plan view thereof; and  
 FIG. 7 is a bottom plan view thereof;  
 FIG. 8 is a perspective view of a second embodiment of a boot upper in accordance with my new design.  
 FIG. 9 is a front elevation view thereof;  
 FIG. 10 is a rear elevation view thereof;  
 FIG. 11 is a left side view thereof;  
 FIG. 12 is a right side view thereof;  
 FIG. 13 is a top plan view thereof; and,  
 FIG. 14 is a bottom plan view thereof.  
 The broken lines showing the remainder of the shoe represent unclaimed subject matter only and form no part of the claimed invention.

**1 Claim, 14 Drawing Sheets**

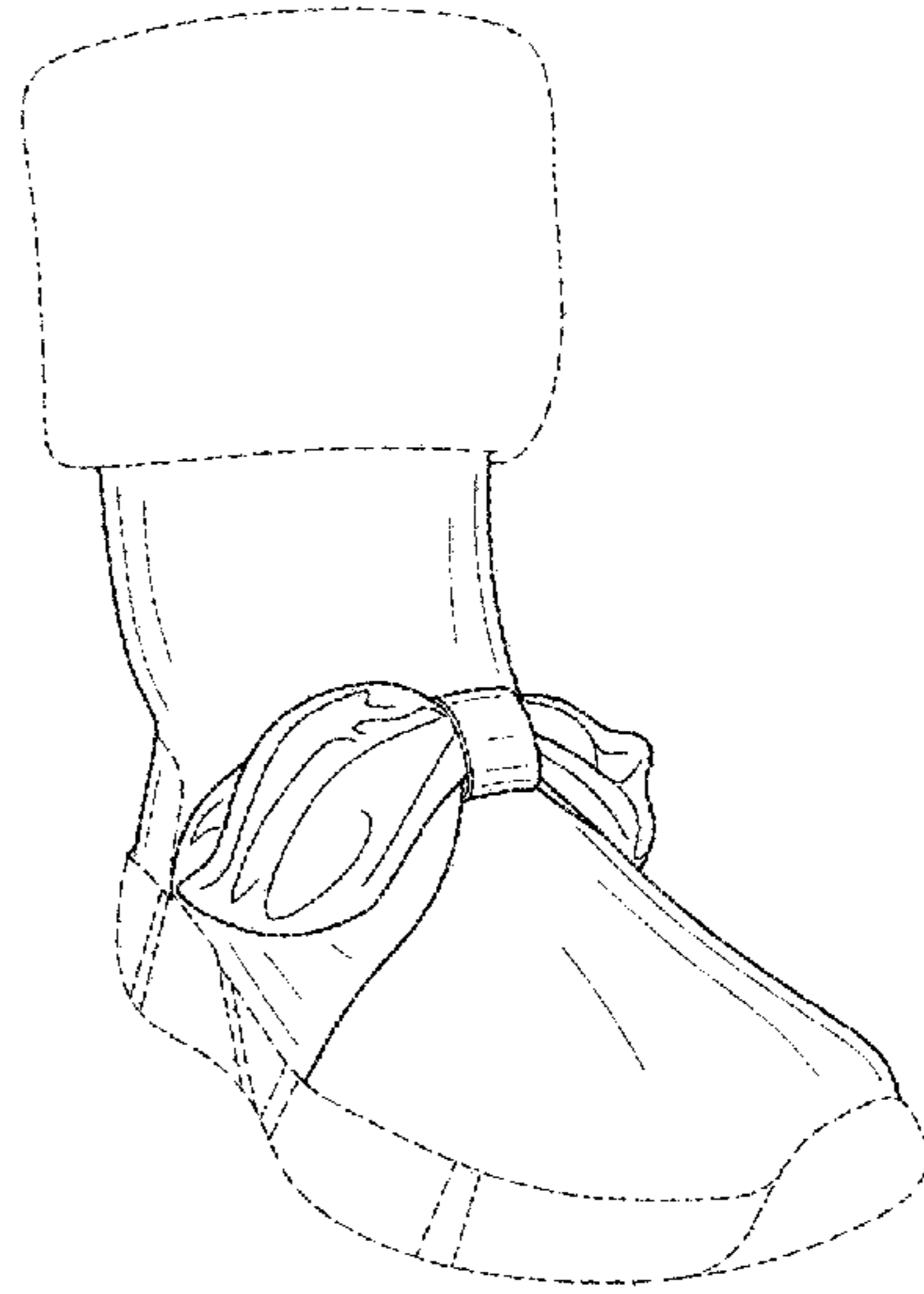
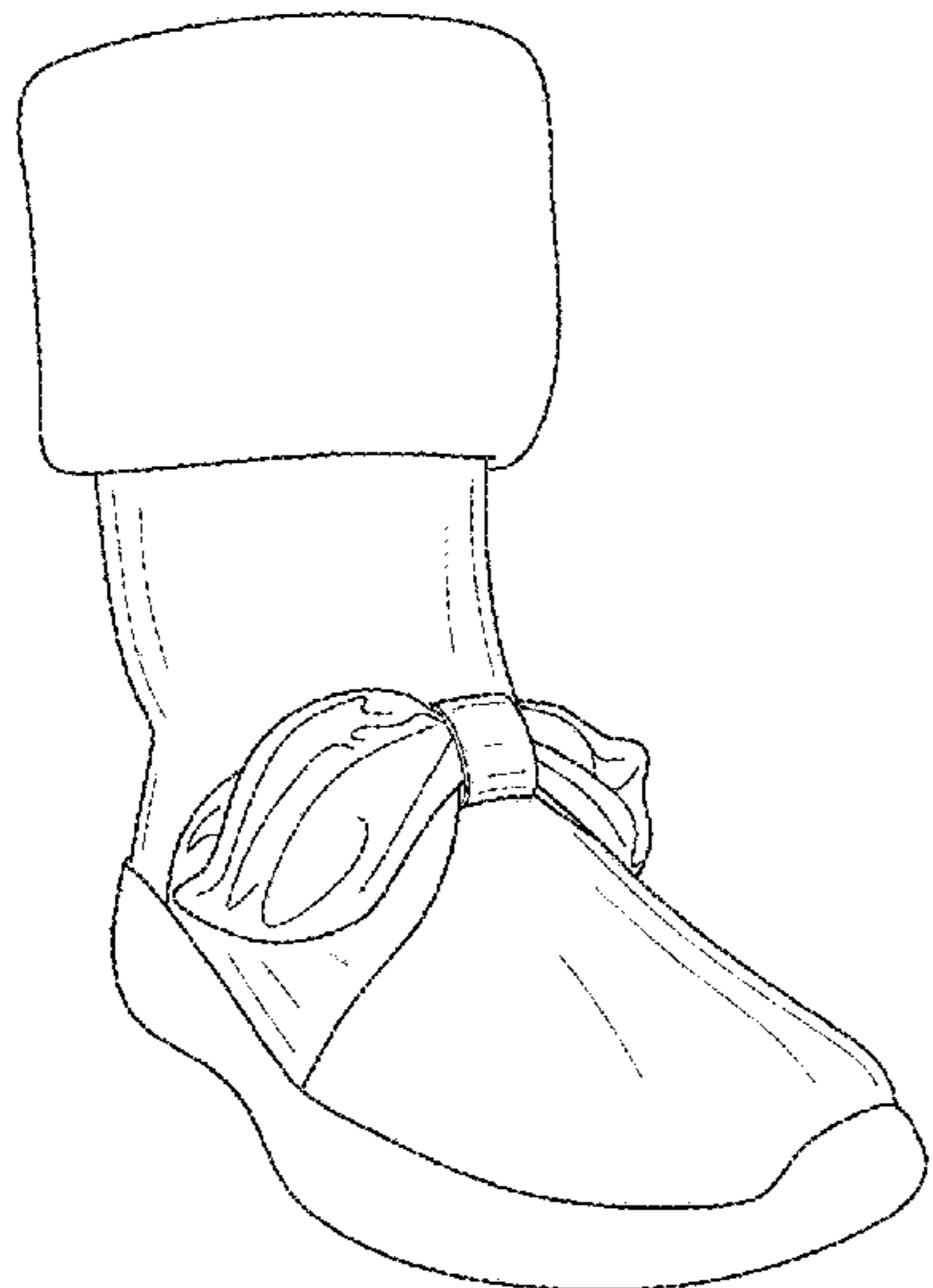


FIG. 1

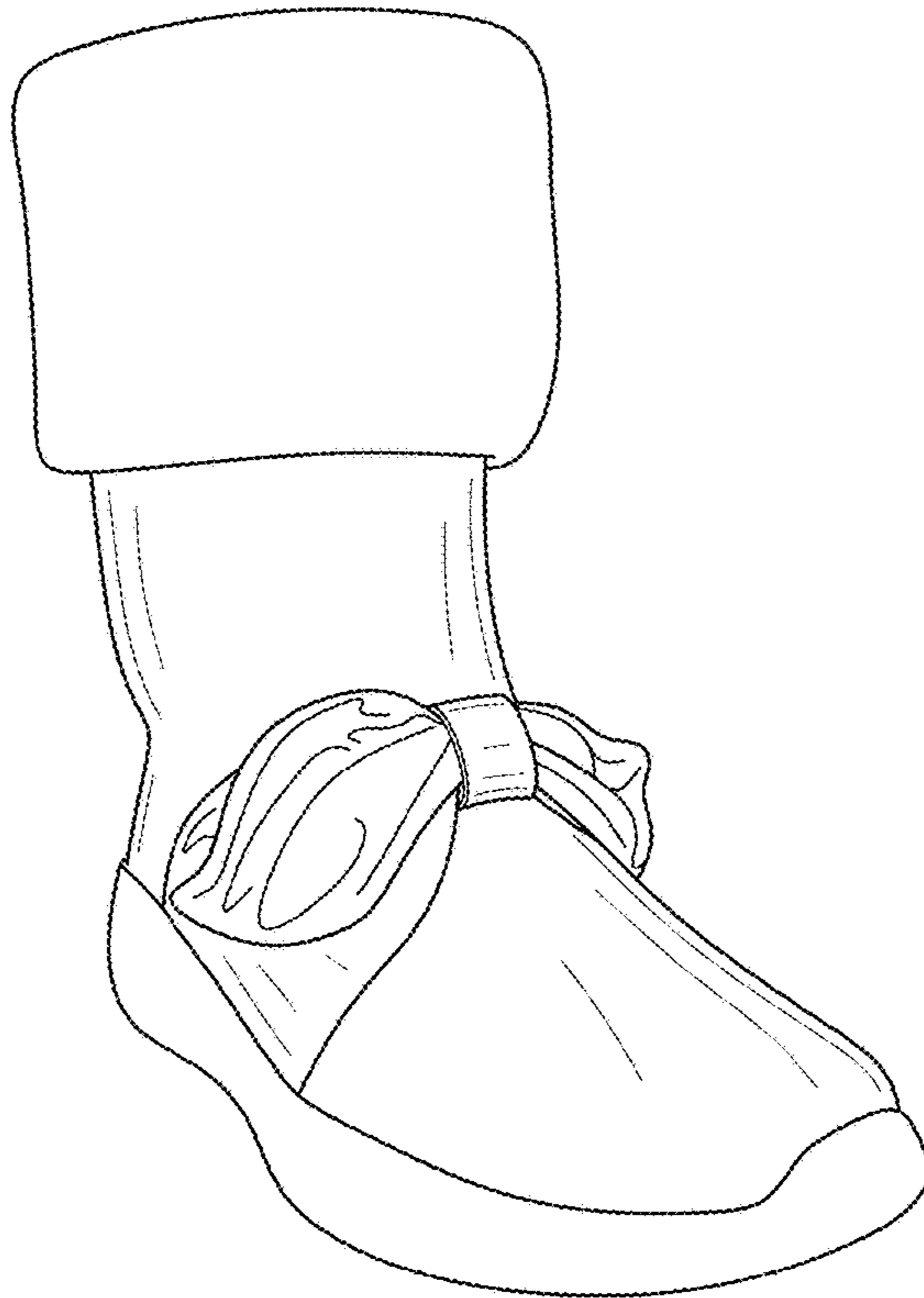


FIG. 2

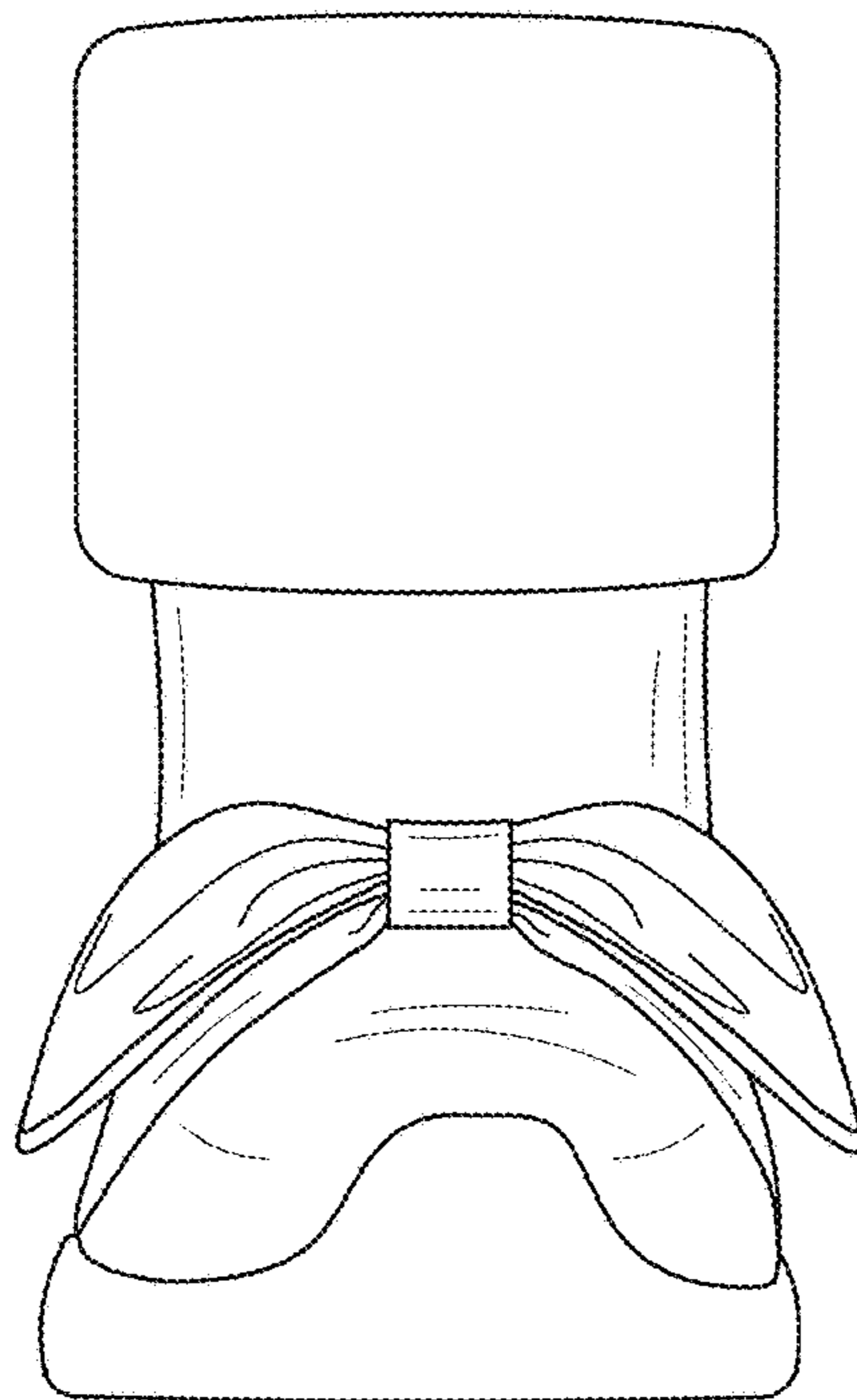


FIG. 3

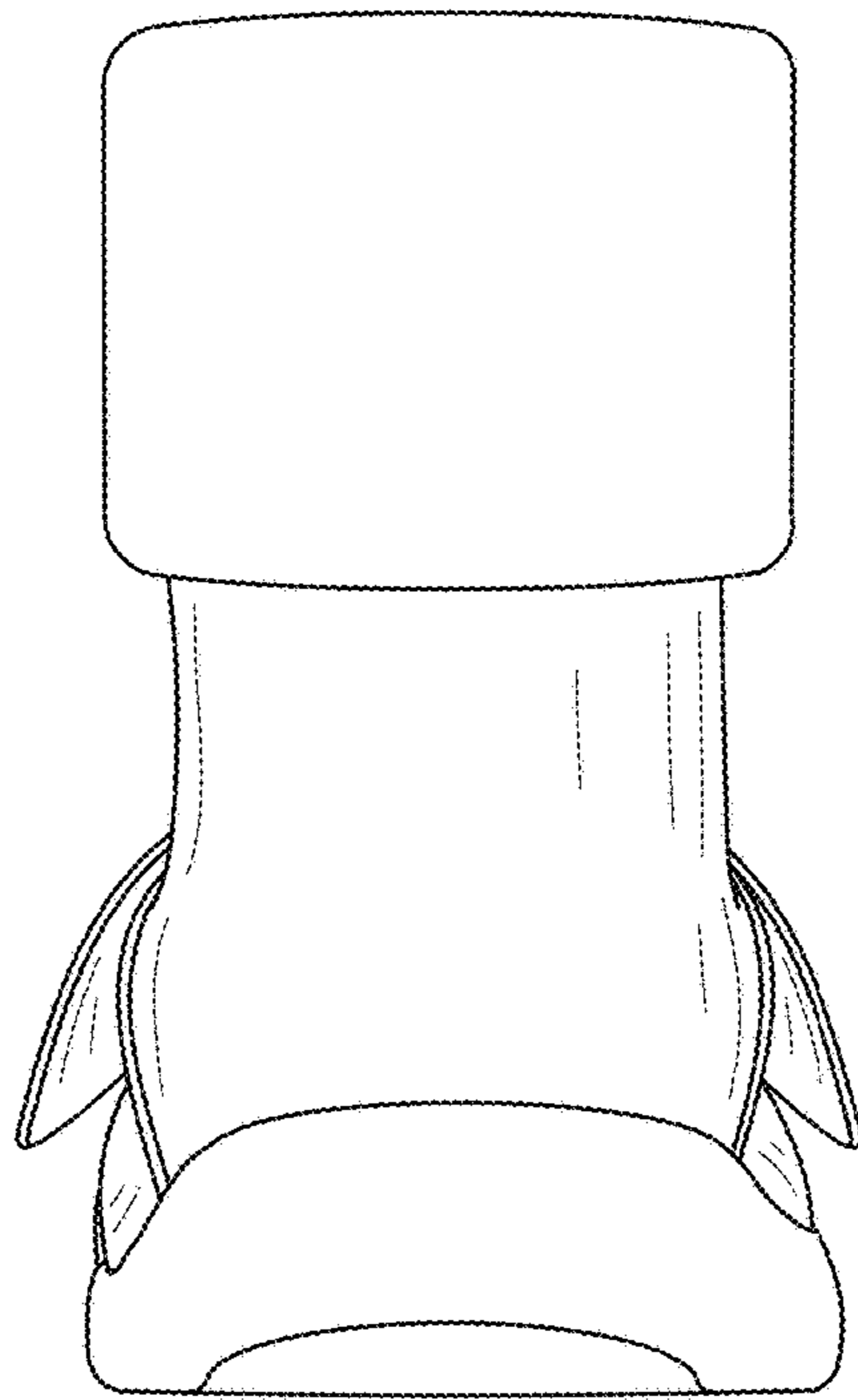


FIG. 4

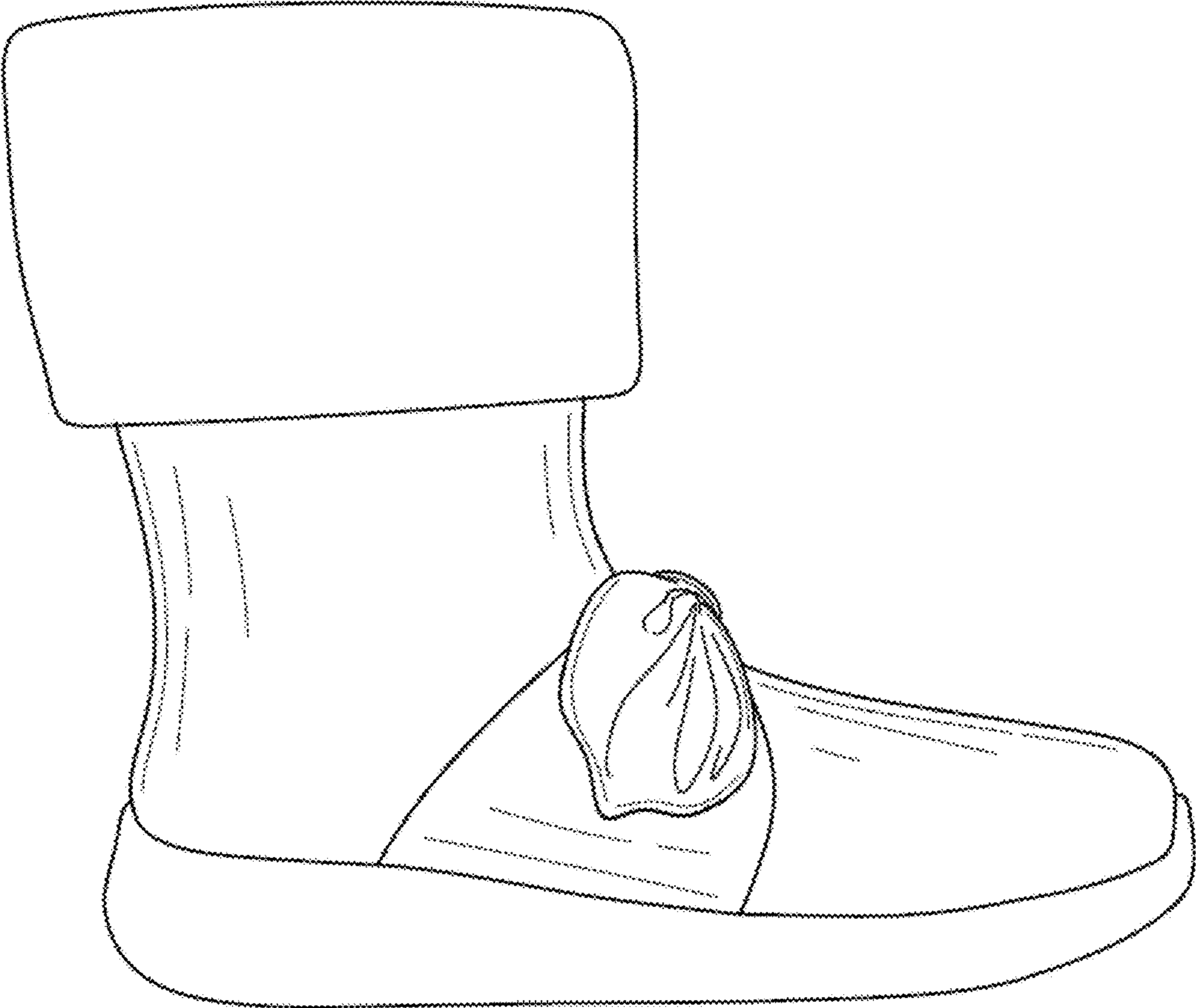


FIG. 5

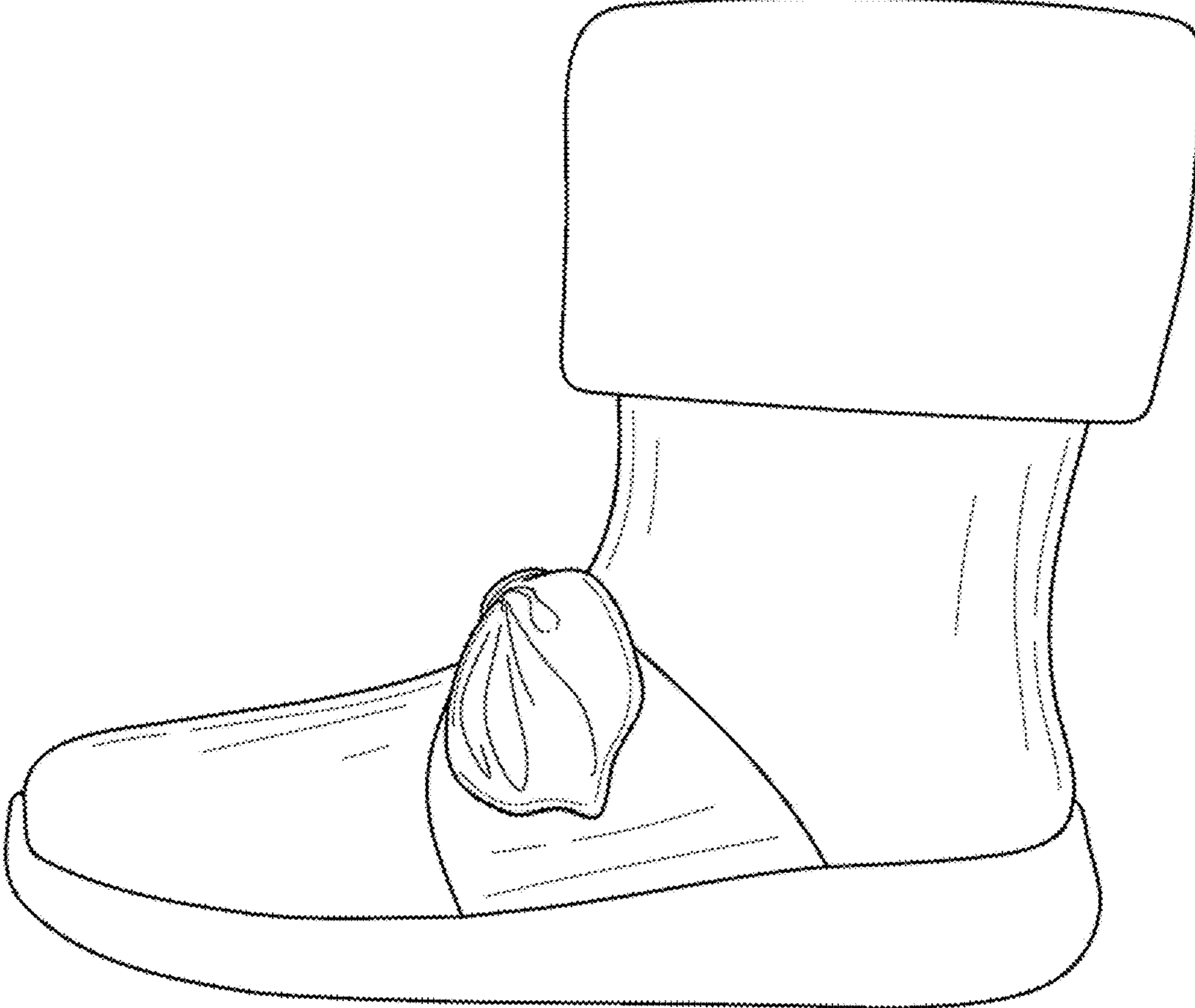


FIG. 6

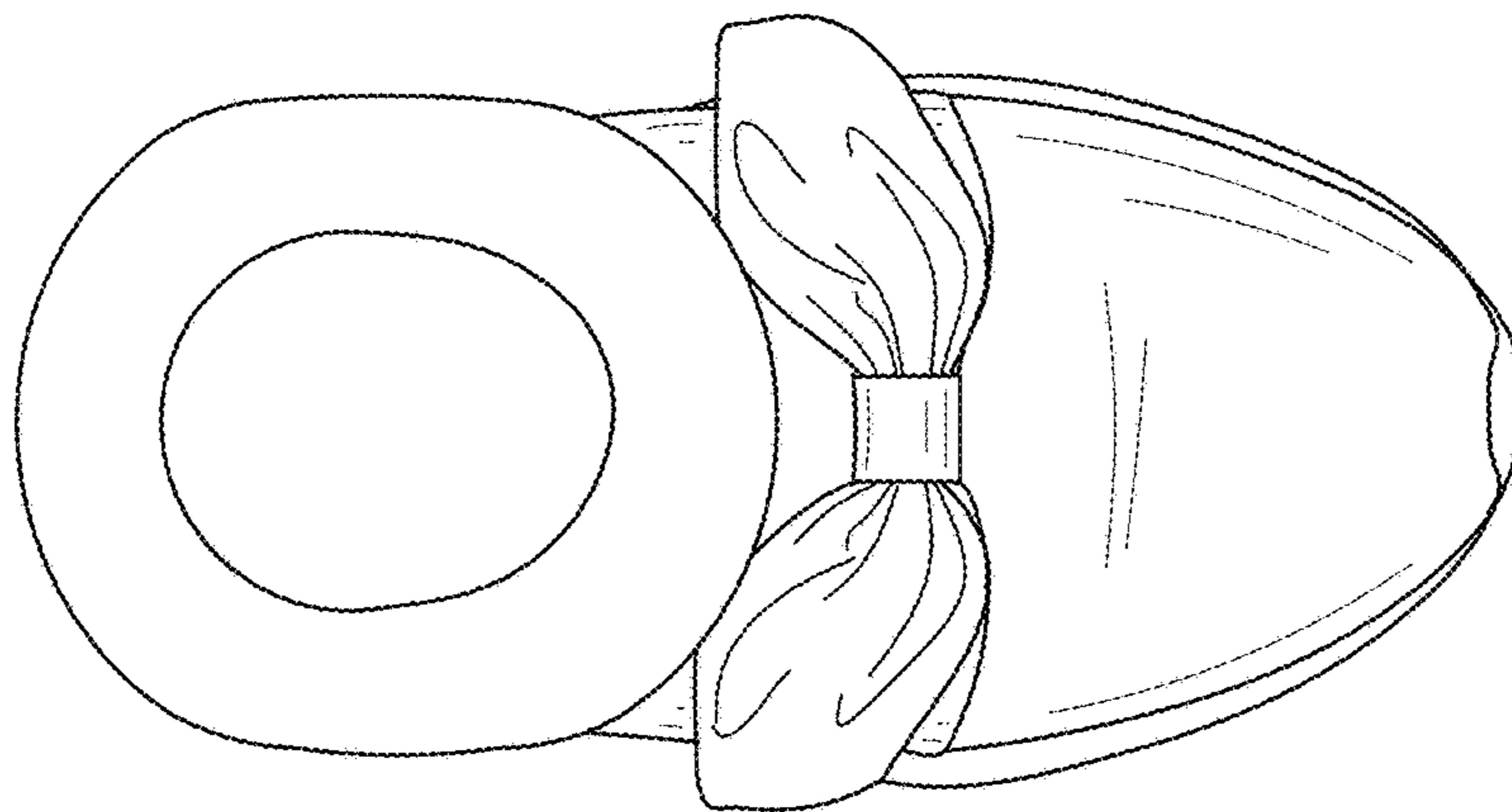


FIG. 7

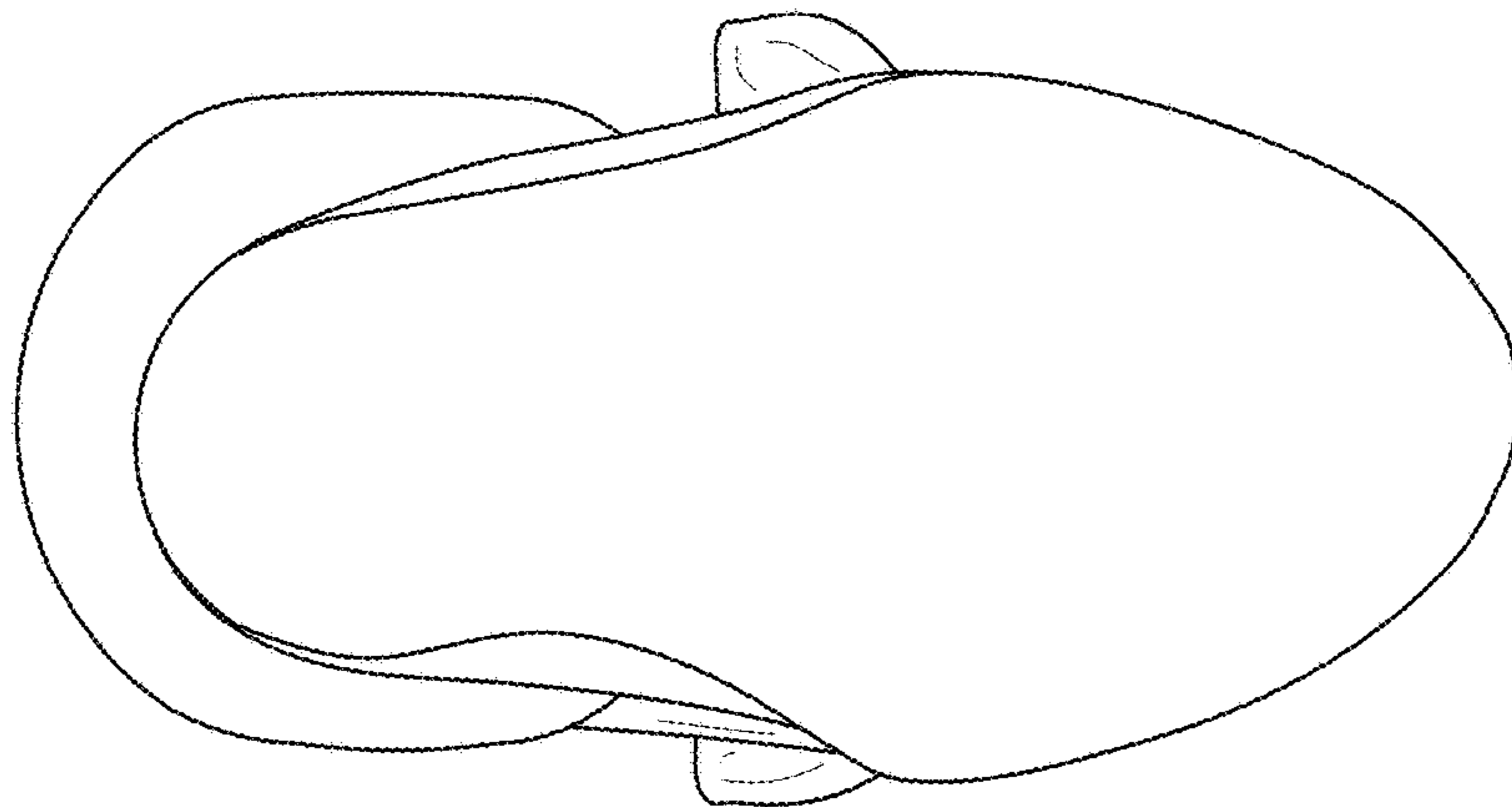




FIG. 8

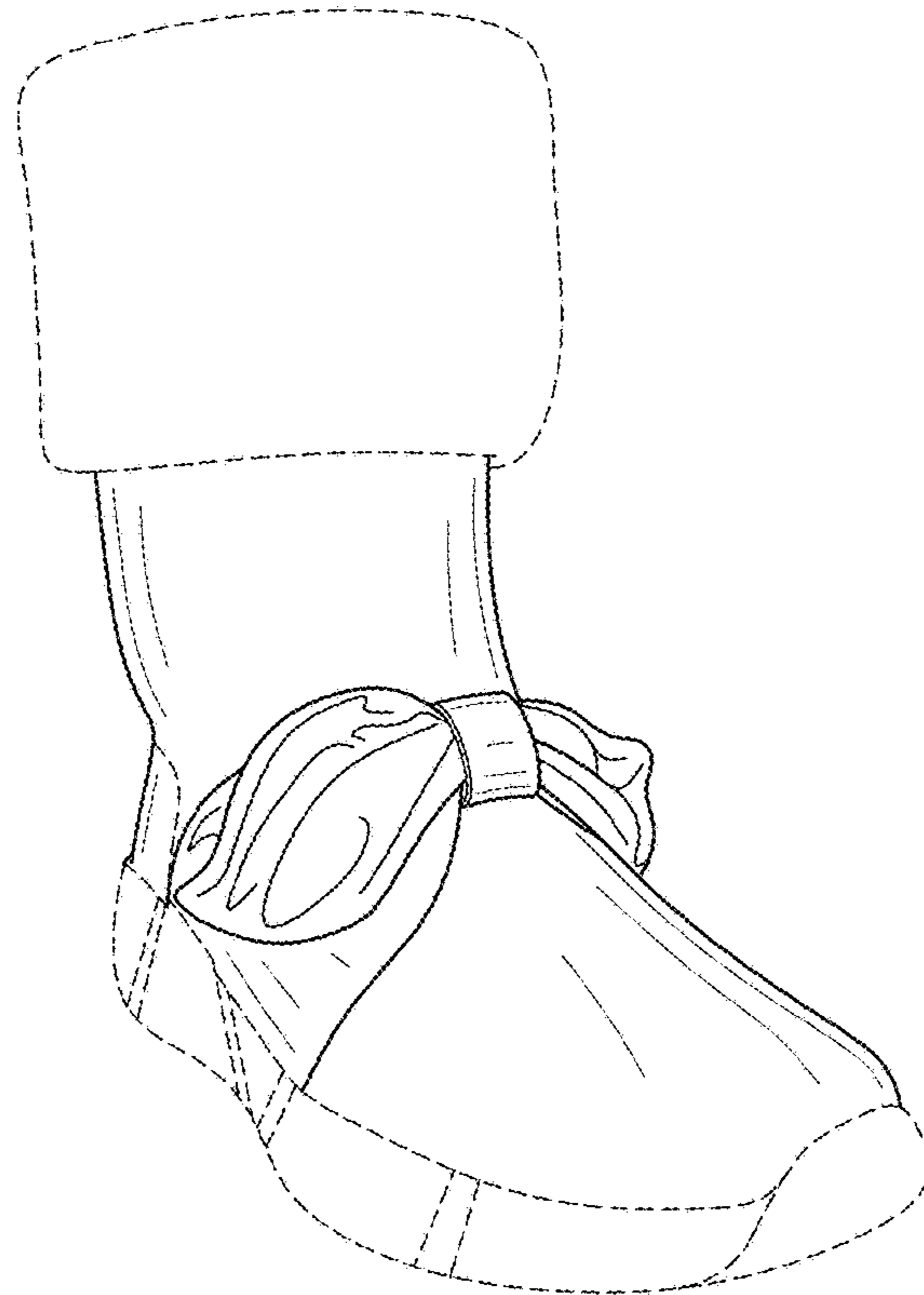


FIG. 9

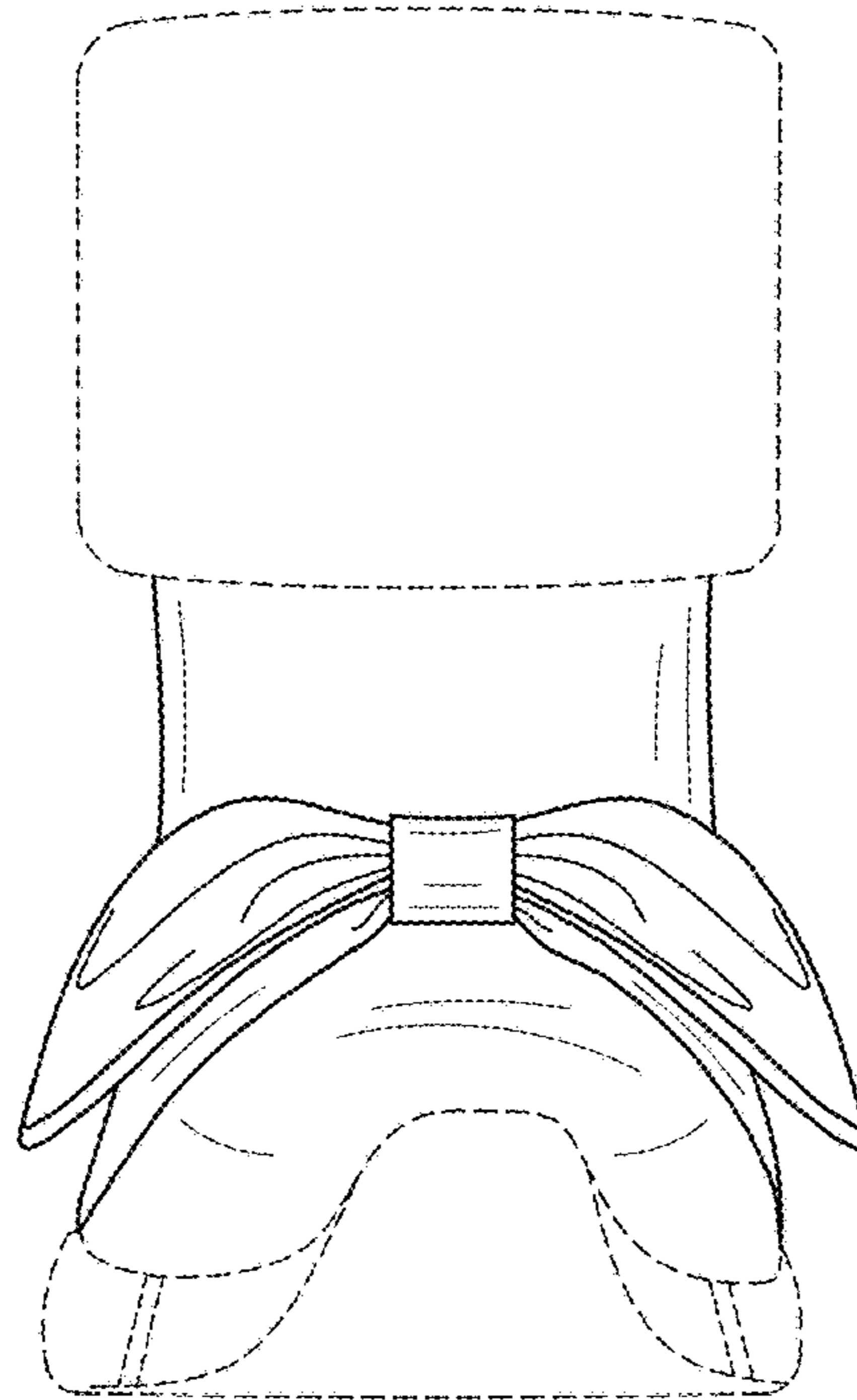


FIG. 10

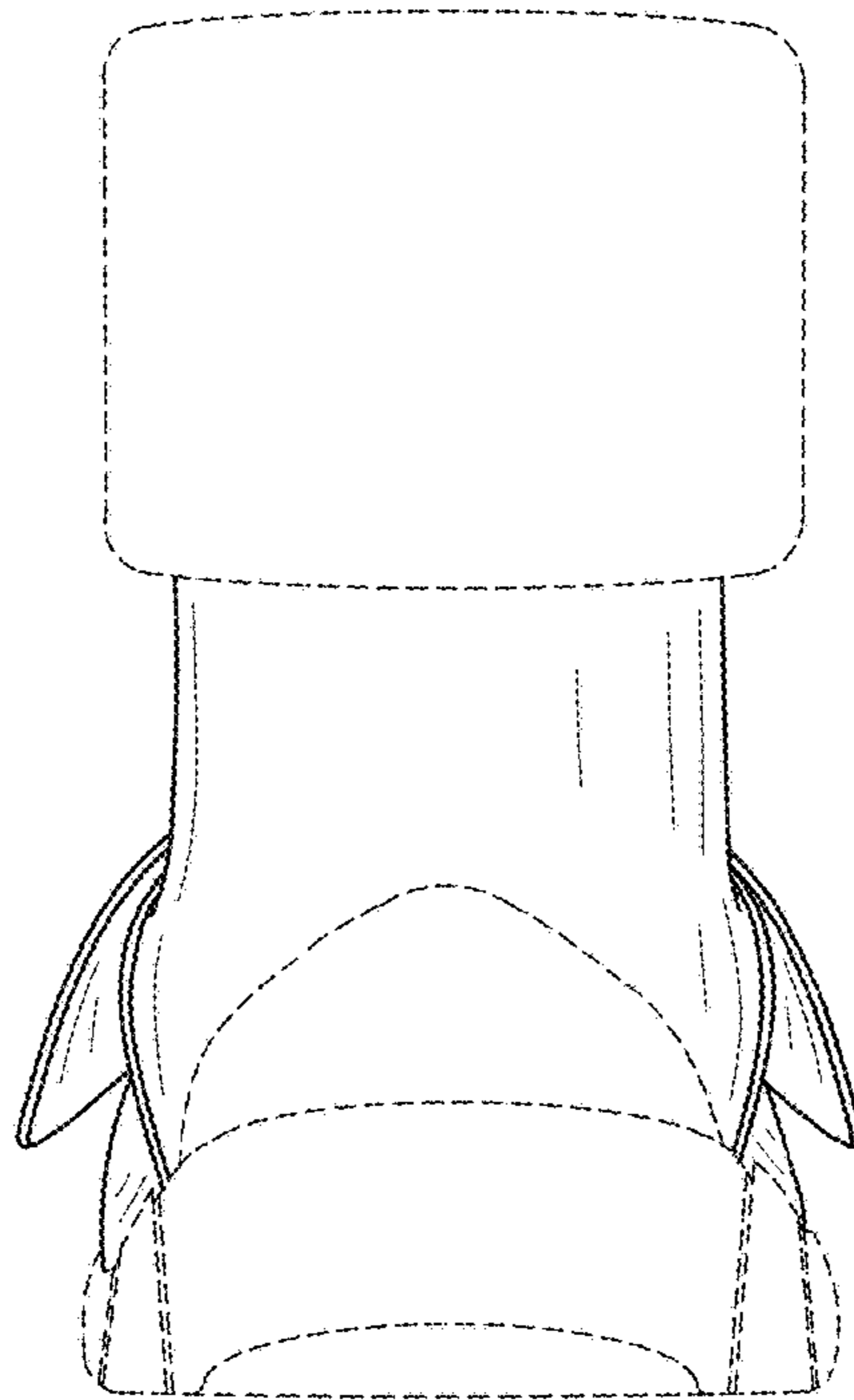


FIG. 11

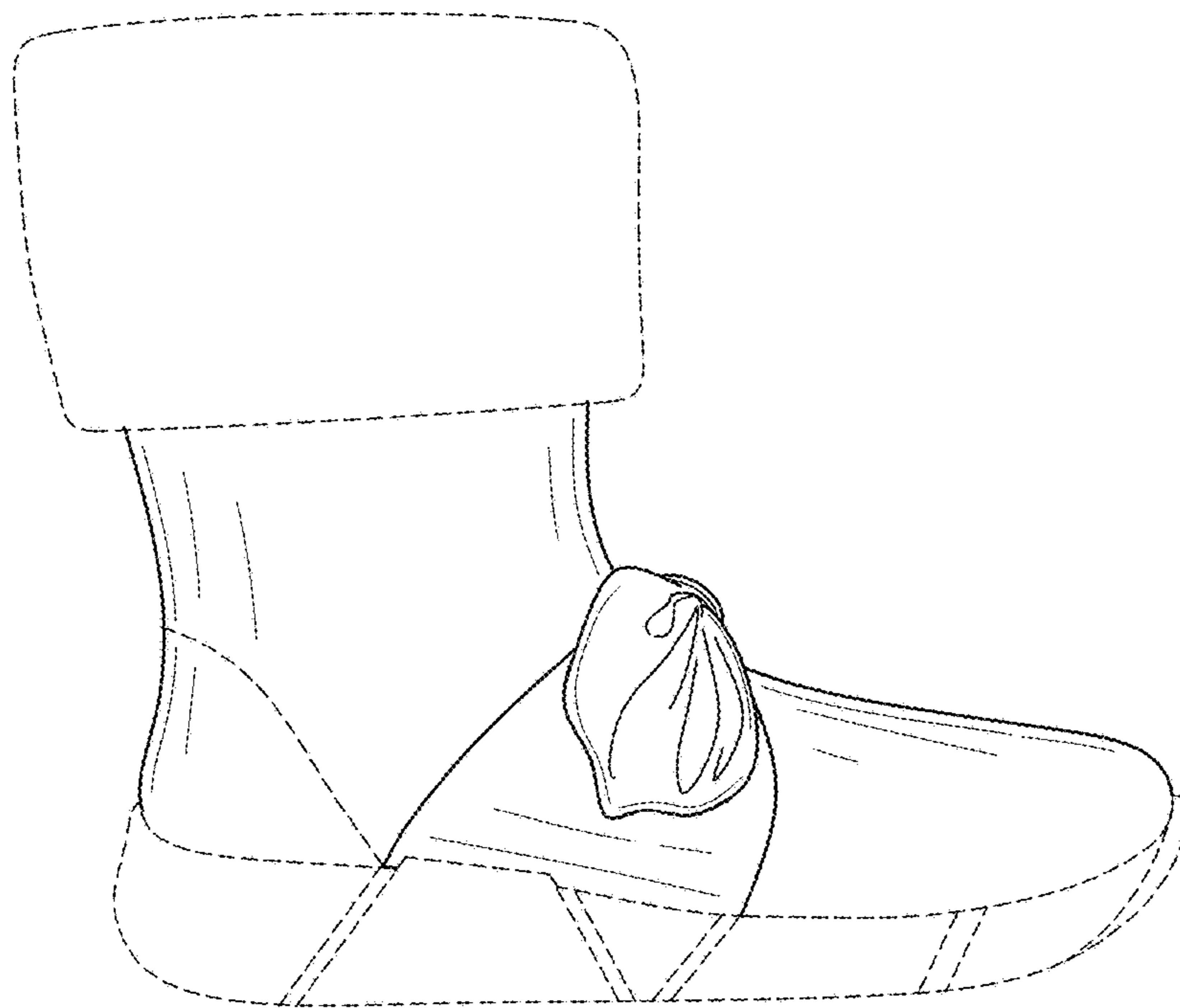


FIG. 12

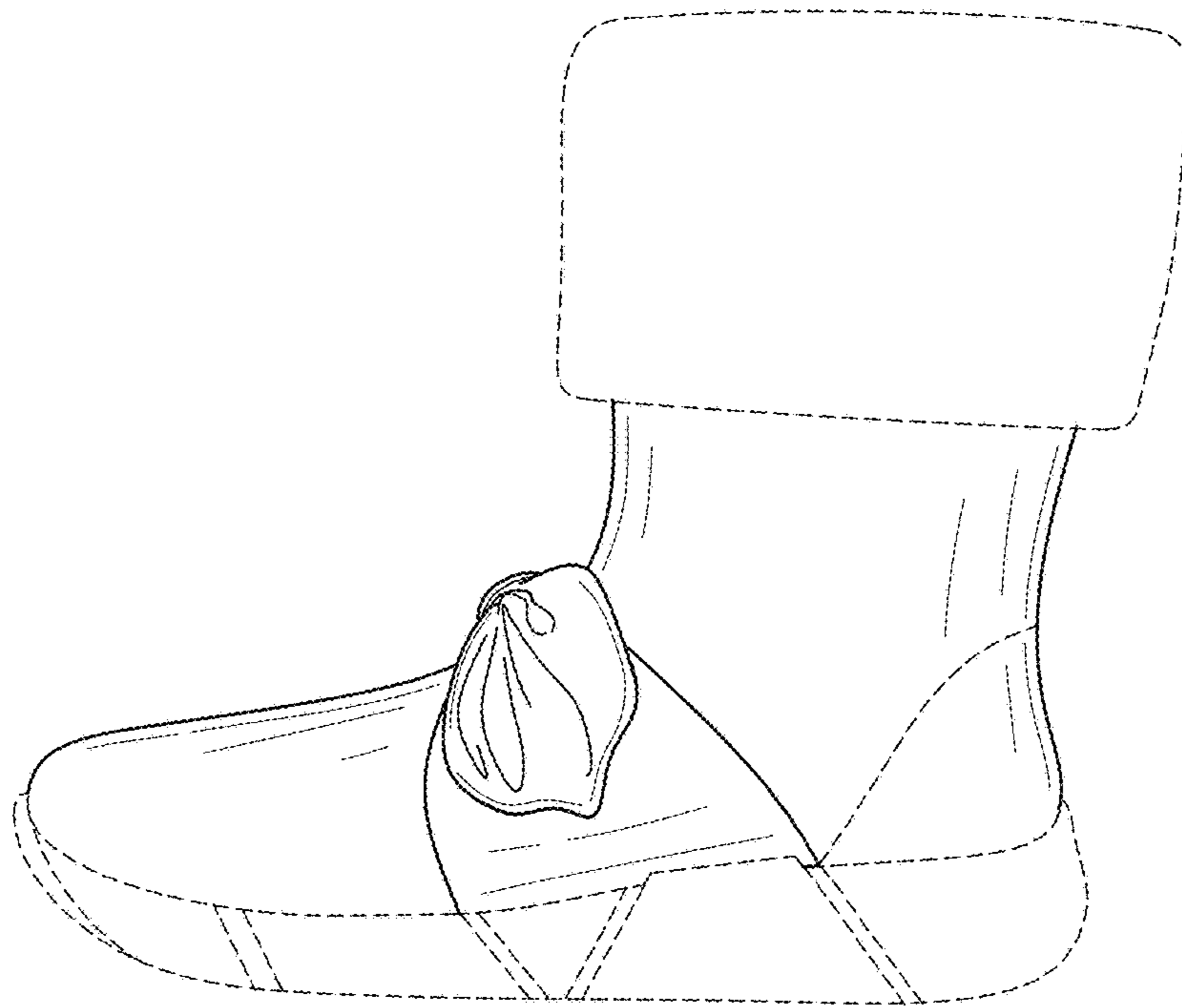


FIG. 13

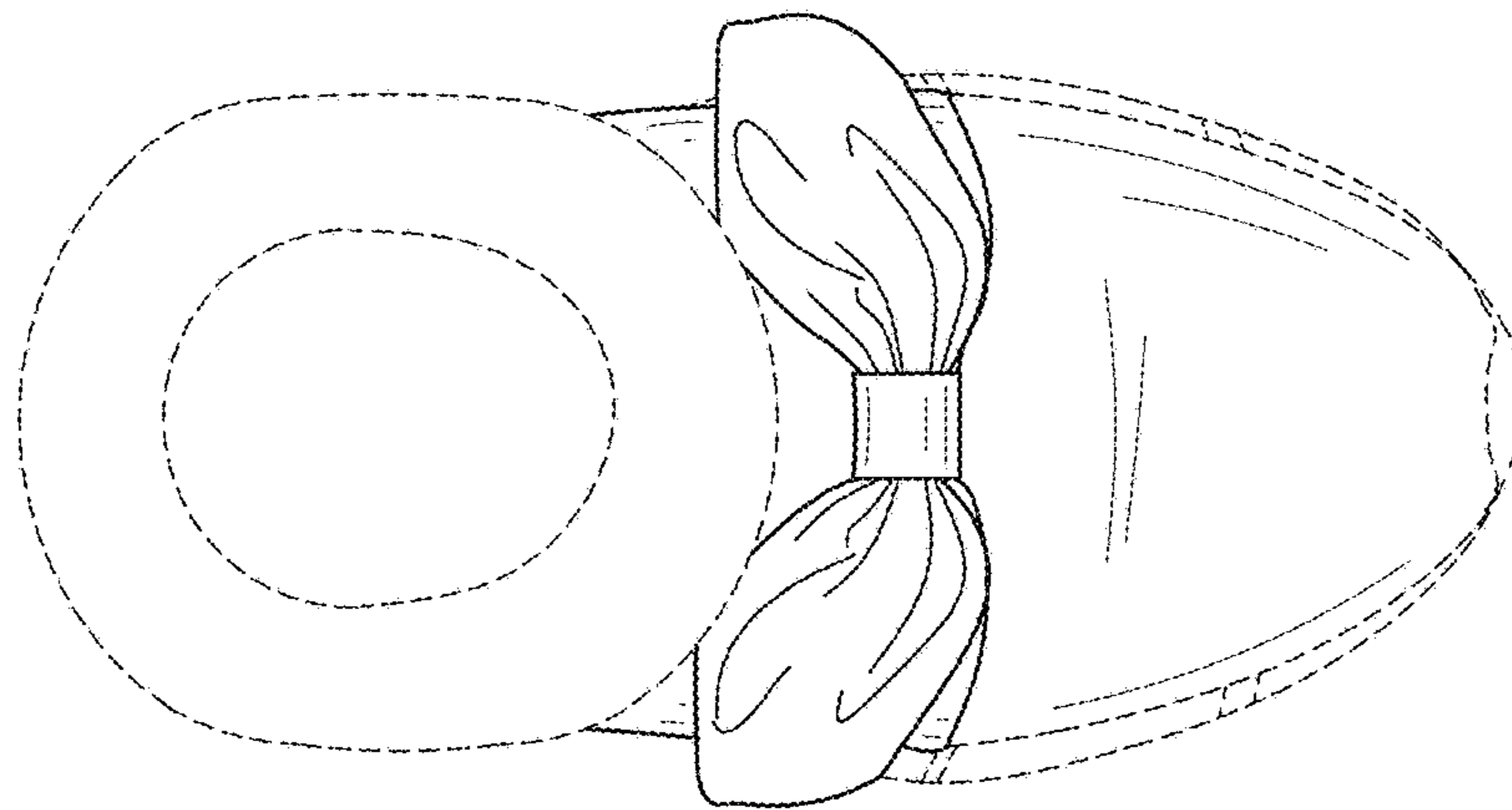


FIG. 14

