



US00D851354S

(12) **United States Design Patent**
Silverman

(10) **Patent No.:** **US D851,354 S**
(45) **Date of Patent:** **** Jun. 11, 2019**

(54) **PORTABLE HEADSTONE MONUMENT**

(71) Applicant: **Lloyd B. Silverman**, Plantation, FL
(US)

(72) Inventor: **Lloyd B. Silverman**, Plantation, FL
(US)

(**) Term: **15 Years**

(21) Appl. No.: **29/674,619**

(22) Filed: **Dec. 21, 2018**

Related U.S. Application Data

(63) Continuation-in-part of application No. 29/650,847,
filed on Jun. 11, 2018, which is a continuation-in-part
of application No. 29/649,624, filed on May 31, 2018.

(51) **LOC (11) Cl.** **25-03**

(52) **U.S. Cl.**
USPC **D99/21**; D99/17

(58) **Field of Classification Search**
USPC D99/21, 17, 25, 28, 24, 5; 27/1, 2;
52/103, 104, 133, 136, 134, 128;
229/116.2; 428/16; 40/124.5, 768;
D11/158, 159, 162, 133; D9/629, 430,
D9/502; 211/87.01; D6/320, 323, 570,
D6/524, 552; 362/641
CPC A61G 17/00; A61G 17/08; G09F 19/00
See application file for complete search history.

(56) **References Cited**

U.S. PATENT DOCUMENTS

1,397,483 A * 11/1921 Brown E04H 13/003
40/124.5
D72,623 S * 5/1927 Ladewich D99/17
D84,927 S * 8/1931 Enochs D99/19
2,084,521 A * 6/1937 Compton E04H 13/003
52/103

D118,025 S * 12/1939 Schultz D99/21
D132,368 S * 5/1942 Jorgensen 47/67
2,430,571 A * 11/1947 Johnson D06F 57/12
211/100
D148,359 S * 1/1948 Joelson D6/300
D152,655 S * 2/1949 Rossell 211/60.1
D156,444 S * 12/1949 Lewis D19/92
D191,248 S * 8/1961 Gialoreta 40/124.5
D253,737 S * 12/1979 Brink D6/552
D306,385 S * 3/1990 Alexander D6/552
D355,065 S * 1/1995 Hicks D99/5
5,404,343 A * 4/1995 Boggio E04H 13/003
360/12
5,546,710 A * 8/1996 Barry E04H 13/003
52/104
D385,083 S * 10/1997 Kennedy D99/17
5,696,488 A * 12/1997 Assisi G07C 9/00111
235/375
5,704,103 A * 1/1998 Crowley A61G 17/08
27/1
5,740,637 A * 4/1998 Snow E04H 13/006
27/1

(Continued)

Primary Examiner — Paula Allen Greene

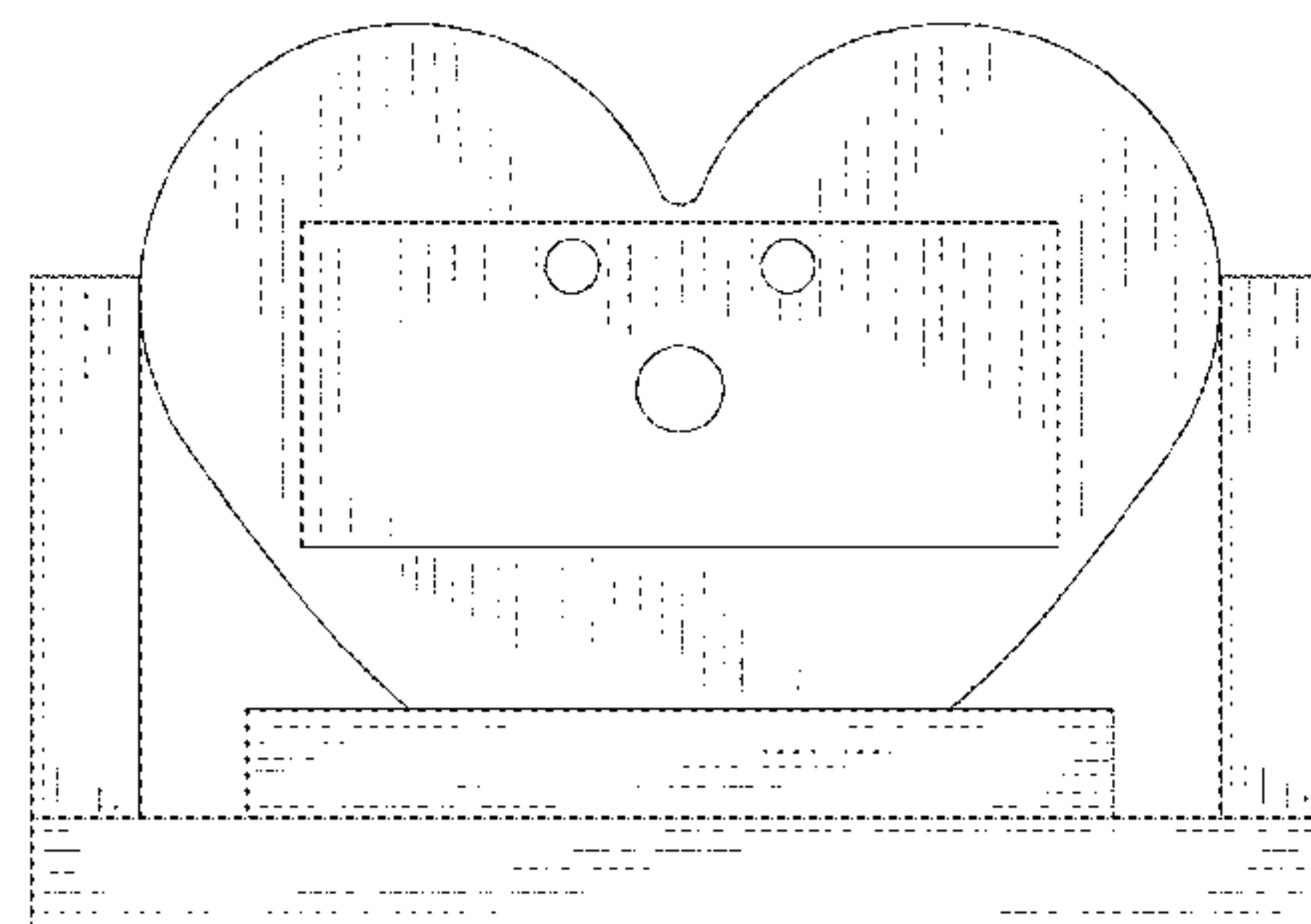
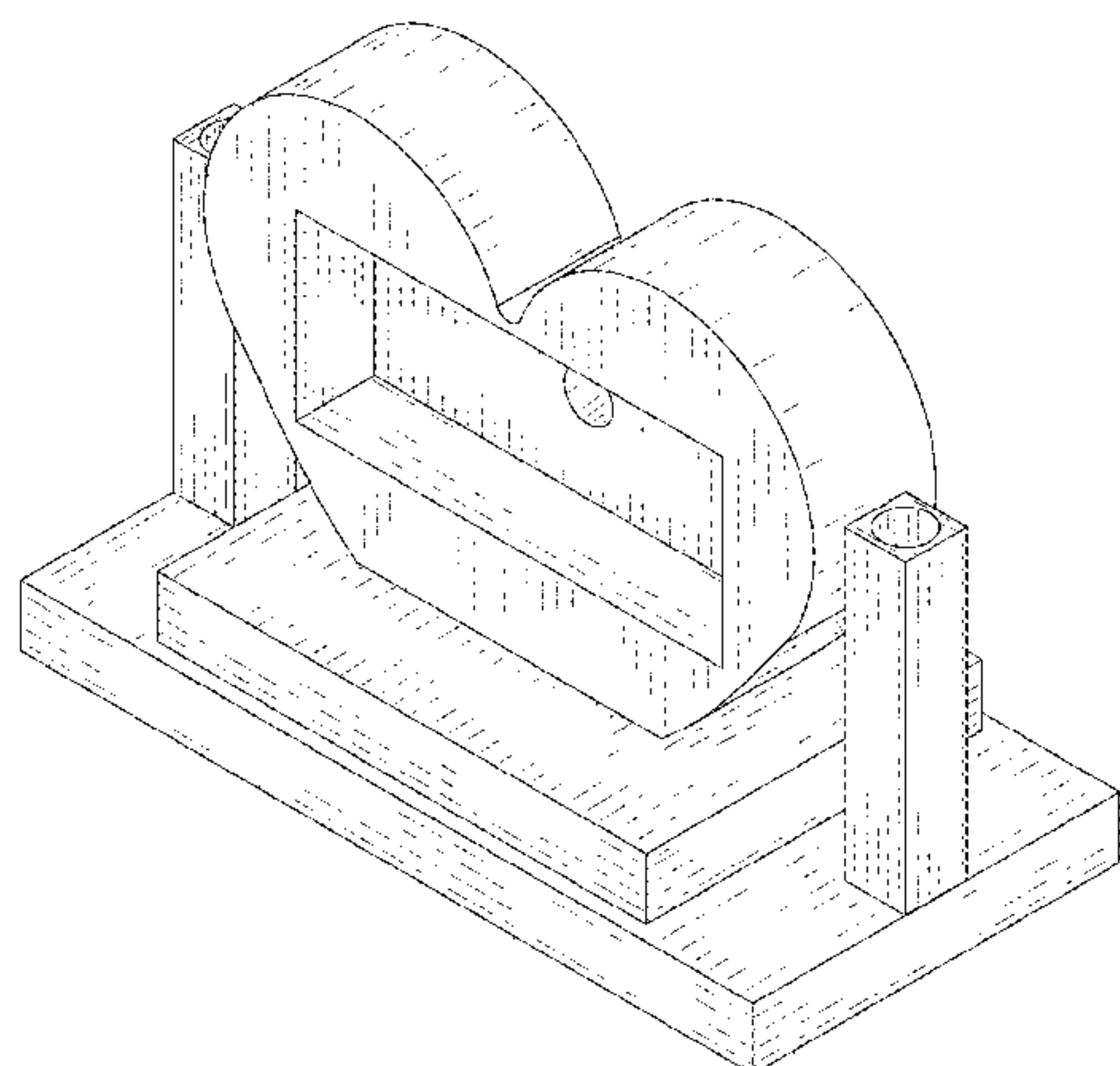
(57) **CLAIM**

The ornamental design for a portable headstone monument,
as shown and described.

DESCRIPTION

FIG. 1 is a top perspective view of a portable headstone monument;
FIG. 2 is a bottom perspective view of a portable headstone monument;
FIG. 3 is a front elevational view thereof;
FIG. 4 is a rear elevational view thereof;
FIG. 5 is a left-side elevational view thereof;
FIG. 6 is a right-side elevational view thereof;
FIG. 7 is a top plan view thereof; and,
FIG. 8 is a bottom plan view thereof.

1 Claim, 8 Drawing Sheets



(56)

References Cited

U.S. PATENT DOCUMENTS

6,203,643	B1 *	3/2001	Gaunt	B44C 1/22 156/153
6,414,663	B1 *	7/2002	Manross, Jr.	A61G 17/08 345/87
D461,616	S *	8/2002	Stein	D99/19
6,925,740	B2 *	8/2005	Shannon	G09F 19/00 40/124.5
7,089,495	B2 *	8/2006	Barrows	E04H 13/003 360/12
7,665,881	B2 *	2/2010	Elam	E04H 13/003 27/1
D622,024	S *	8/2010	School	D99/5
7,950,118	B1 *	5/2011	Fumo	A61G 17/08 27/1
8,074,328	B2 *	12/2011	Roberts	A61G 17/08 27/1
D662,684	S *	6/2012	Edwards	D99/17
D673,344	S *	12/2012	Adelusi-Adeluyi	D99/19
D817,588	S *	5/2018	Fraser	D99/5
2001/0036354	A1 *	11/2001	Majors	E04H 13/003 386/231
2010/0186206	A1 *	7/2010	Sulenski	G09F 7/165 27/1

* cited by examiner

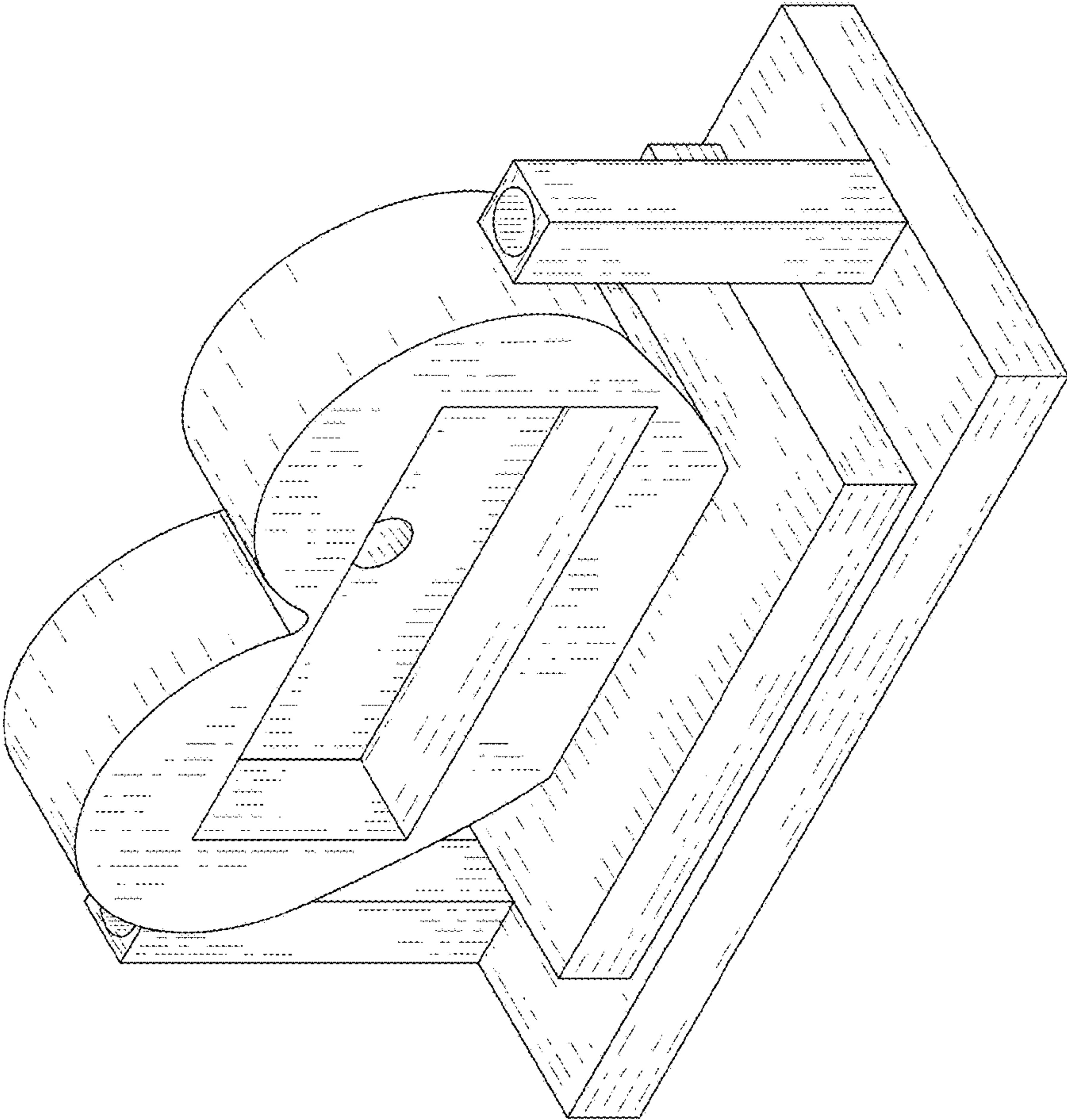


FIG. 1

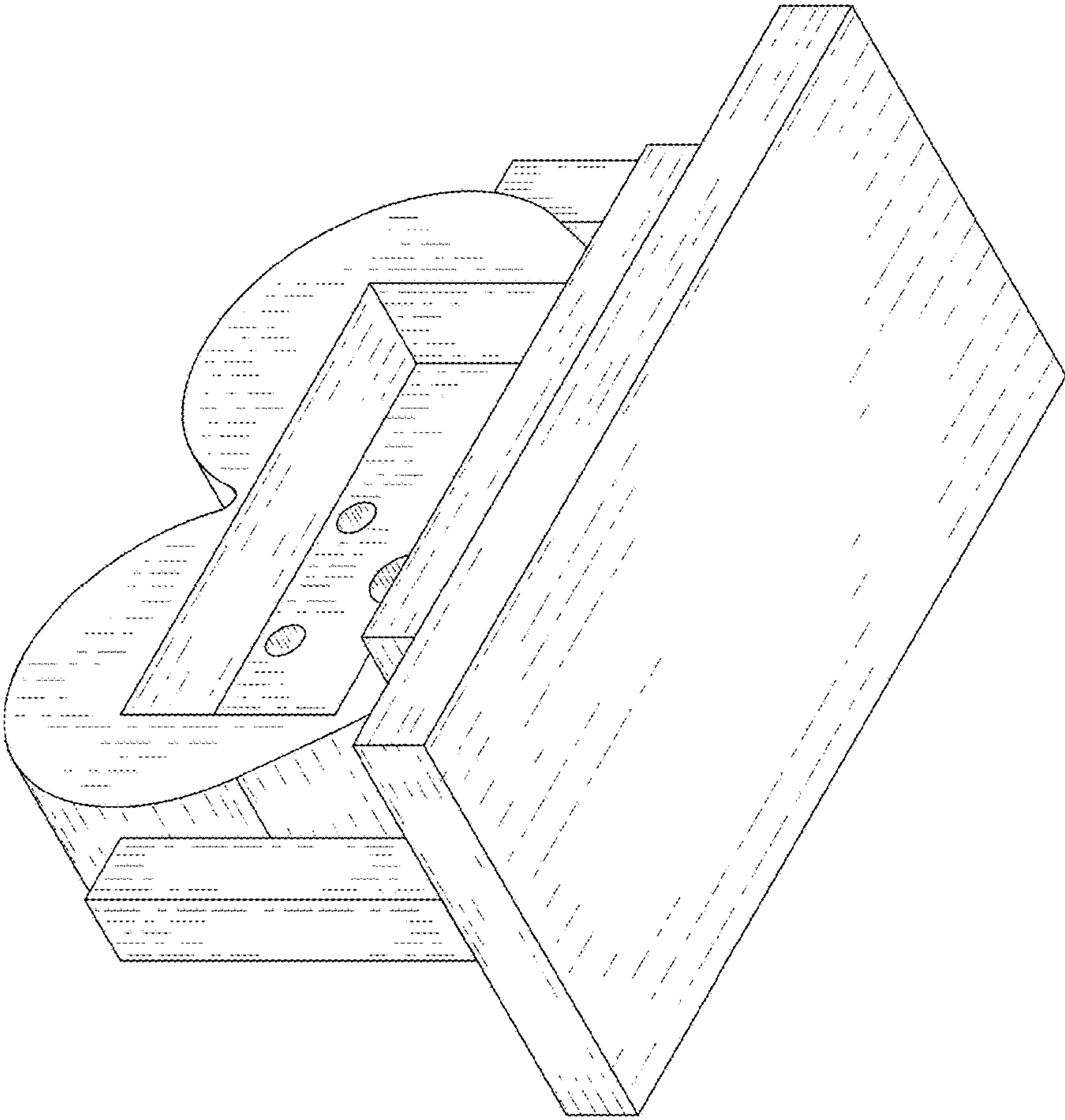


FIG. 2

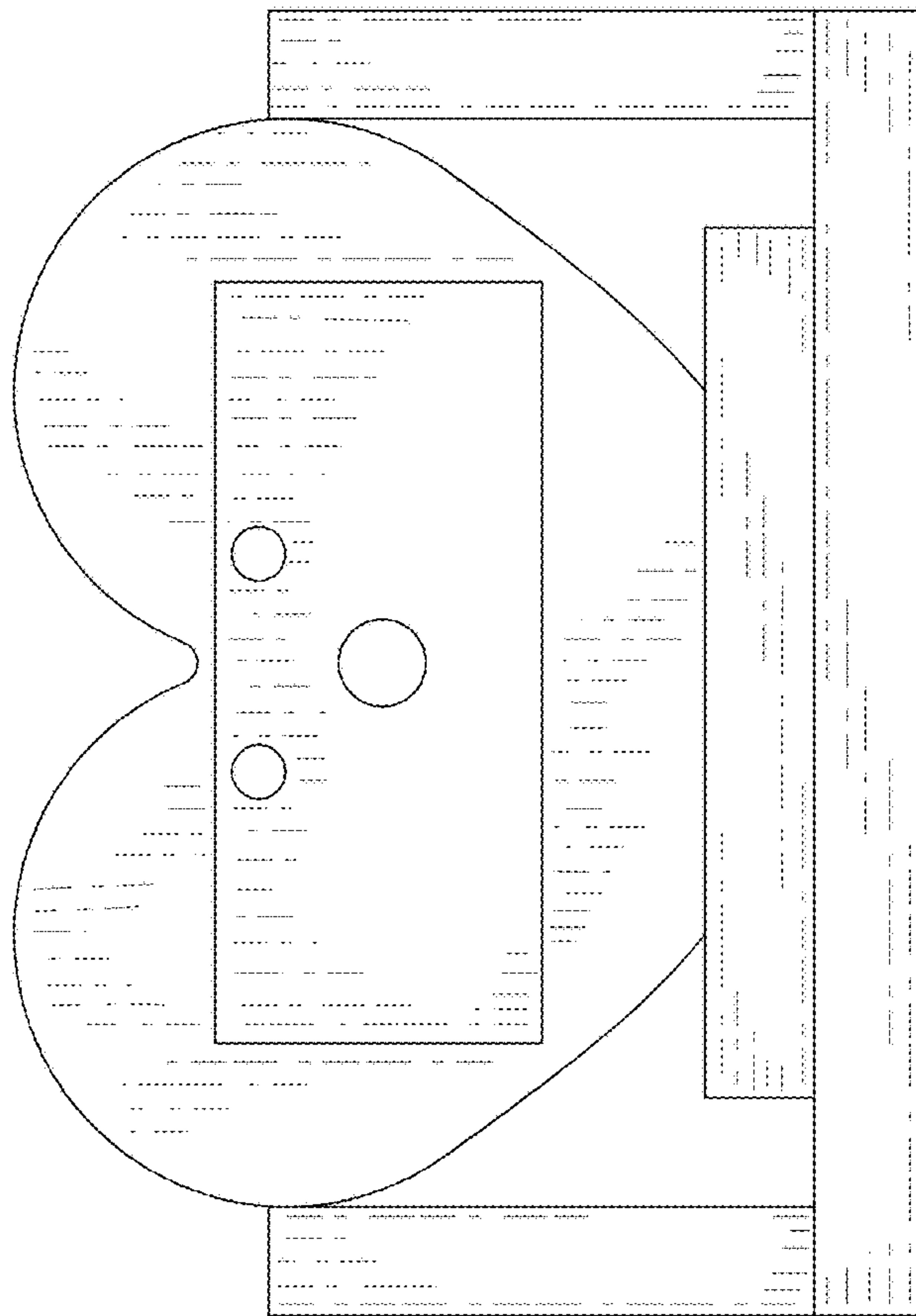


FIG. 3

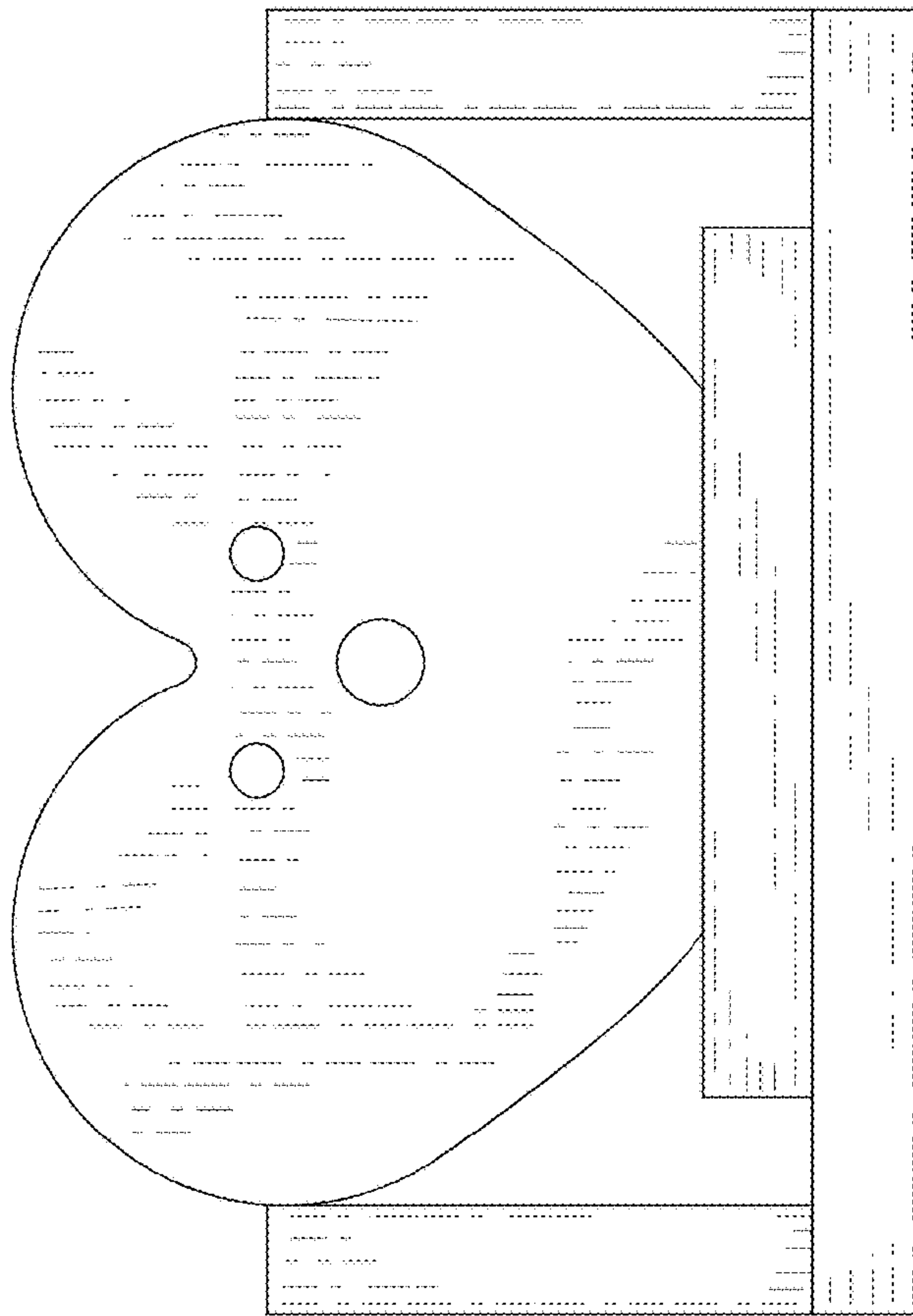


FIG. 4

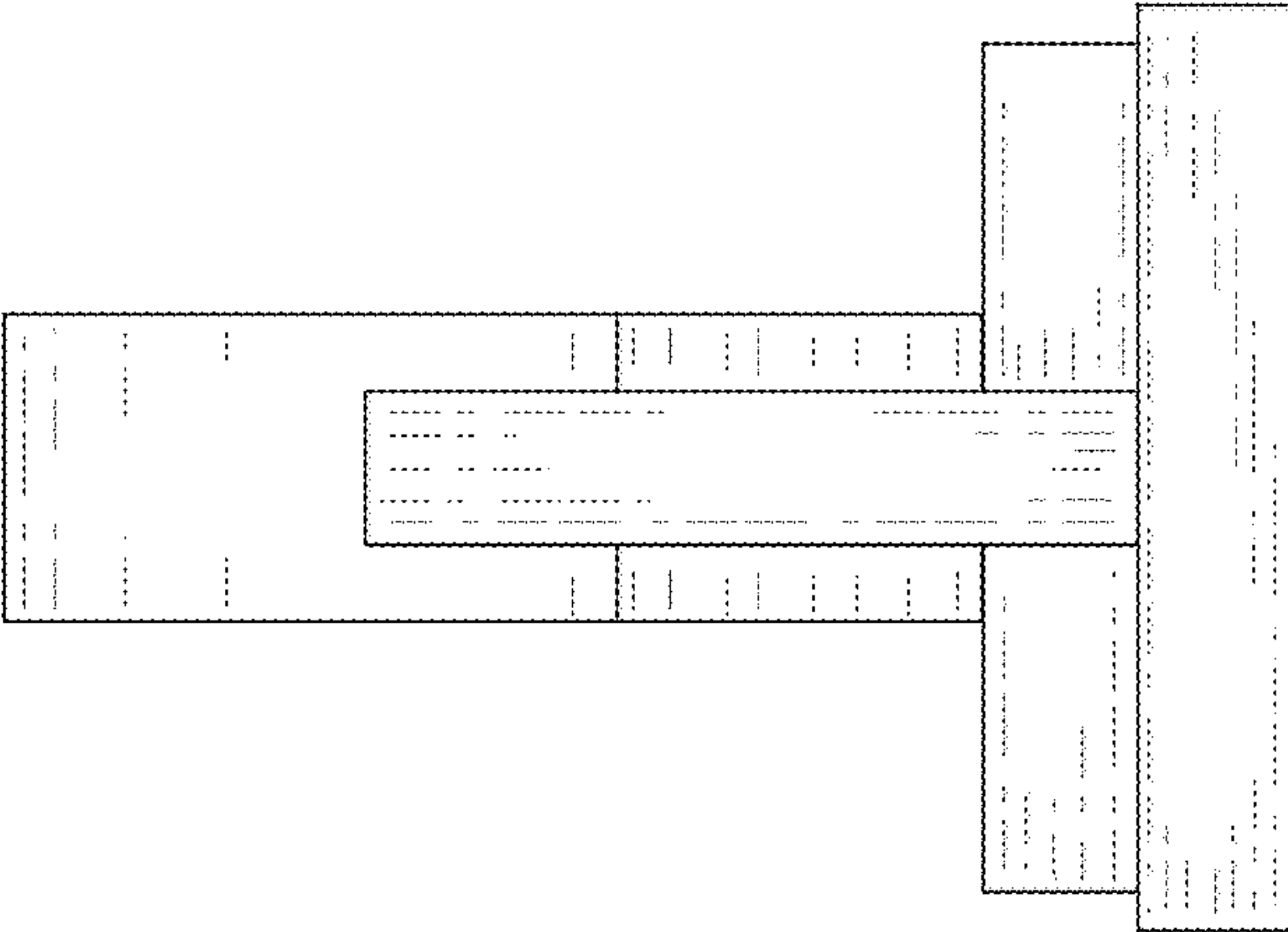


FIG. 5

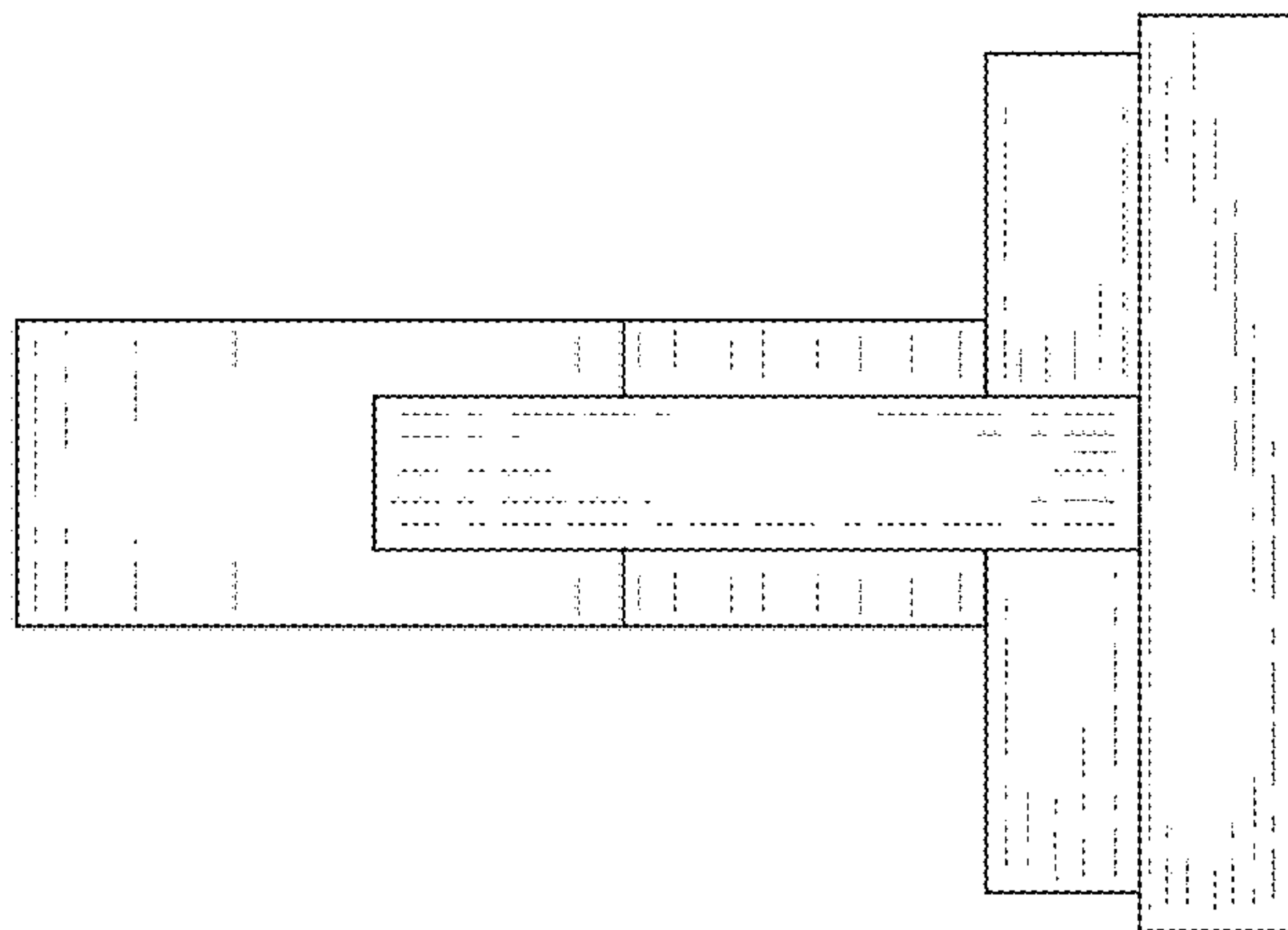


FIG. 6

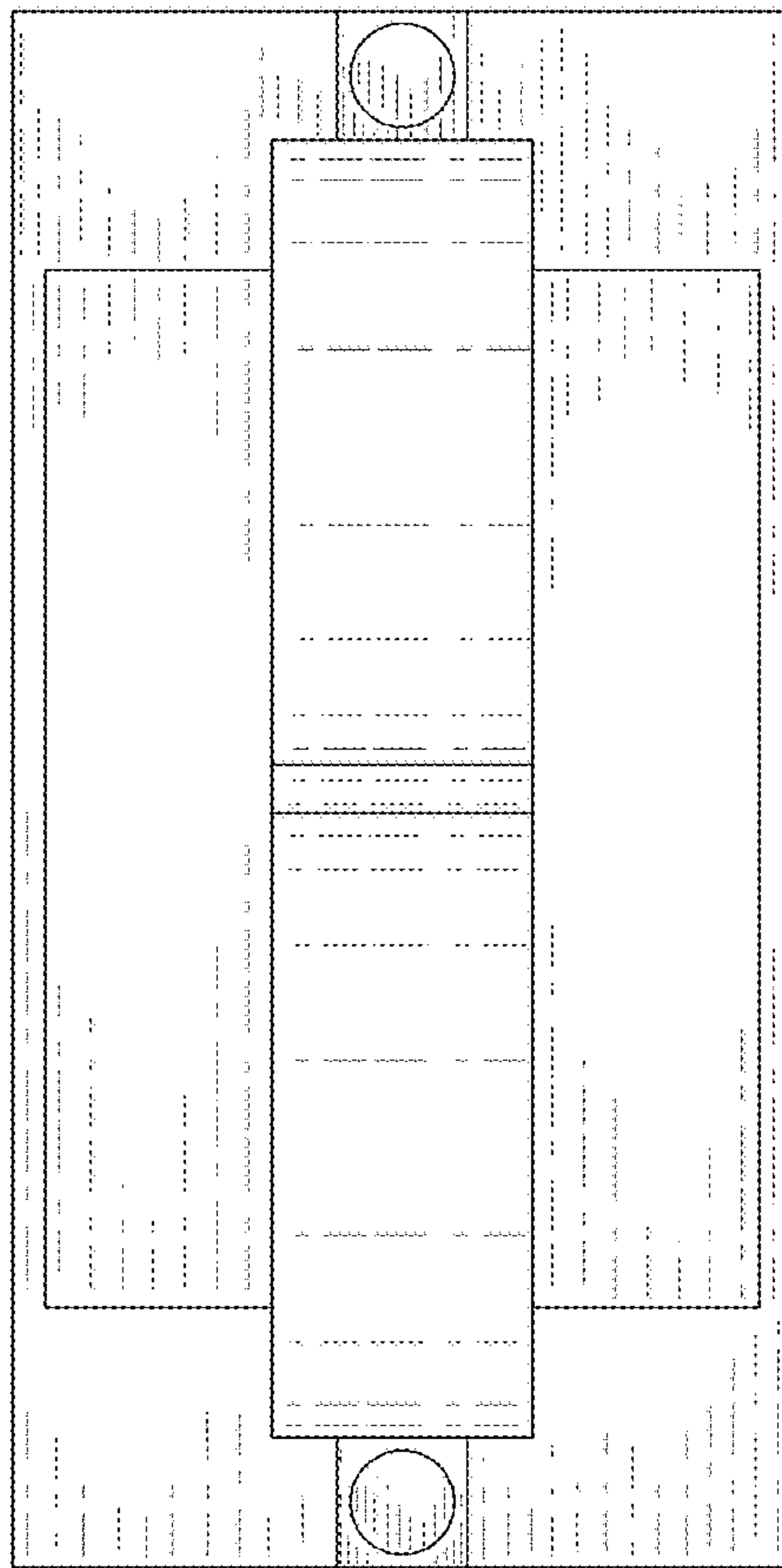


FIG. 7

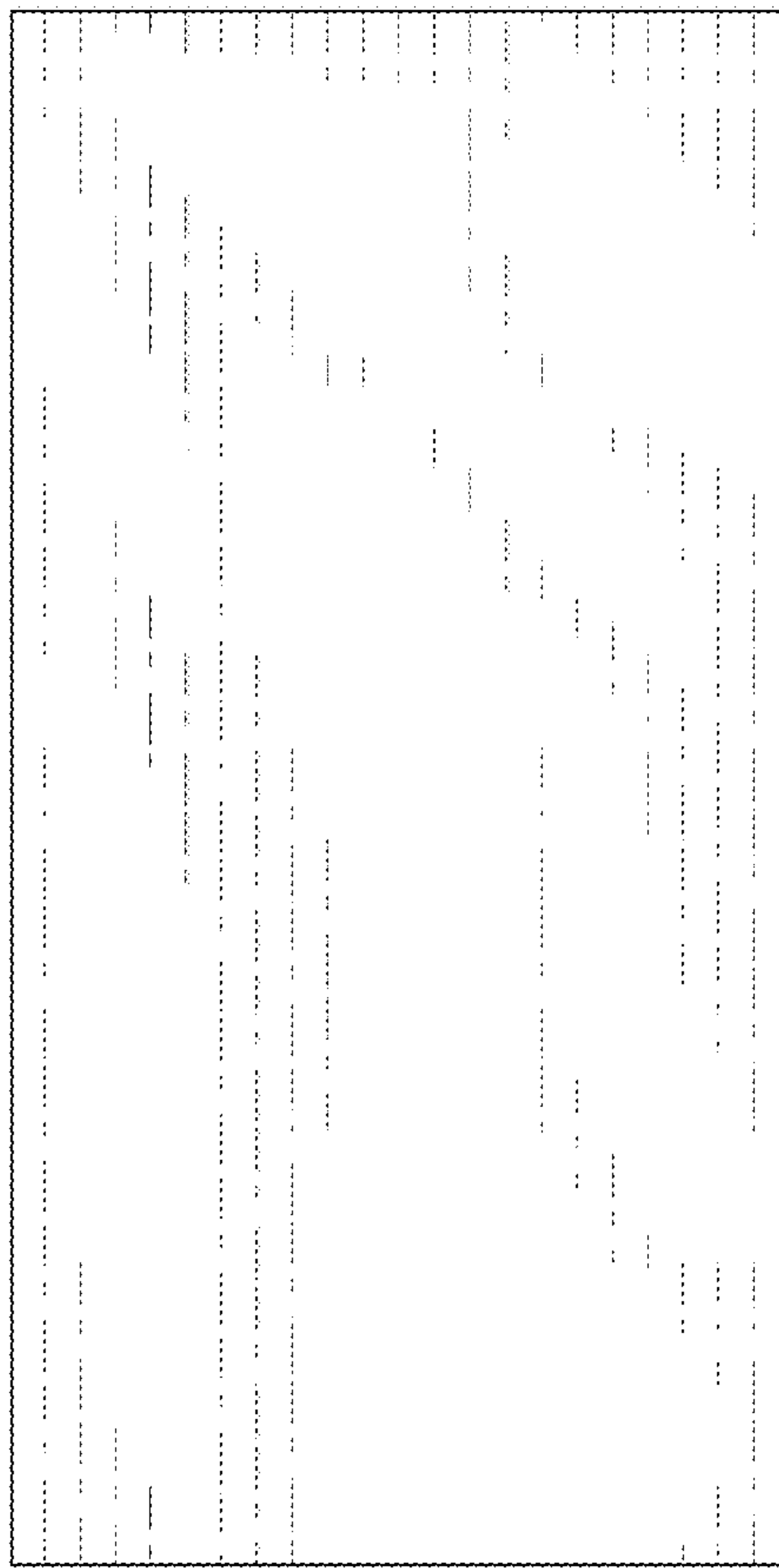


FIG. 8