



US00D851353S

(12) **United States Design Patent**
Miller

(10) **Patent No.:** **US D851,353 S**
(45) **Date of Patent:** **** Jun. 11, 2019**

(54) **CARTRIDGE AND CARTRIDGE ASSEMBLY**

(71) Applicant: **IDEAL WAREHOUSE INNOVATIONS, INC.**, Vaughan (CA)

(72) Inventor: **Sean Michael Miller**, Rockwood (CA)

(73) Assignee: **IDEAL WAREHOUSE INNOVATIONS, INC.**, Vaughan (CA)

(**) Term: **15 Years**

(21) Appl. No.: **29/538,427**

(22) Filed: **Sep. 3, 2015**

(30) **Foreign Application Priority Data**

Mar. 3, 2015 (CA) 161391

(51) **LOC (11) Cl.** **12-02**

(52) **U.S. Cl.**
USPC **D34/27**

(58) **Field of Classification Search**

USPC D34/12-27; D25/48.1-48.8, 38.1
CPC B26B 3/02; B26B 3/027; B26B 2205/003;
B26B 1/12; B26B 1/208; B21F 33/00;
E01F 13/02; E01F 13/00; E01F 9/00;
E04H 17/16; A47G 5/02

See application file for complete search history.

(56) **References Cited**

U.S. PATENT DOCUMENTS

4,202,521 A * 5/1980 Harding B62B 1/266
248/98
4,452,468 A * 6/1984 Eads B62B 1/12
248/98
4,749,209 A * 6/1988 Edmonds A01K 97/22
280/30
4,793,628 A * 12/1988 Haley, Sr. B62B 3/02
248/98
4,961,593 A * 10/1990 Sanders B62B 1/045
280/40

5,123,666 A * 6/1992 Moore B62B 1/14
280/47.18
5,340,135 A * 8/1994 Womberly B62B 1/10
280/47.19
6,003,894 A * 12/1999 Maher B62B 3/106
248/100
6,135,466 A * 10/2000 Irwin B62B 1/12
280/47.19
6,142,701 A * 11/2000 Falcon E01F 13/028
160/24

(Continued)

Primary Examiner — Mark A Goodwin

(74) *Attorney, Agent, or Firm* — Rimôn, P.C.

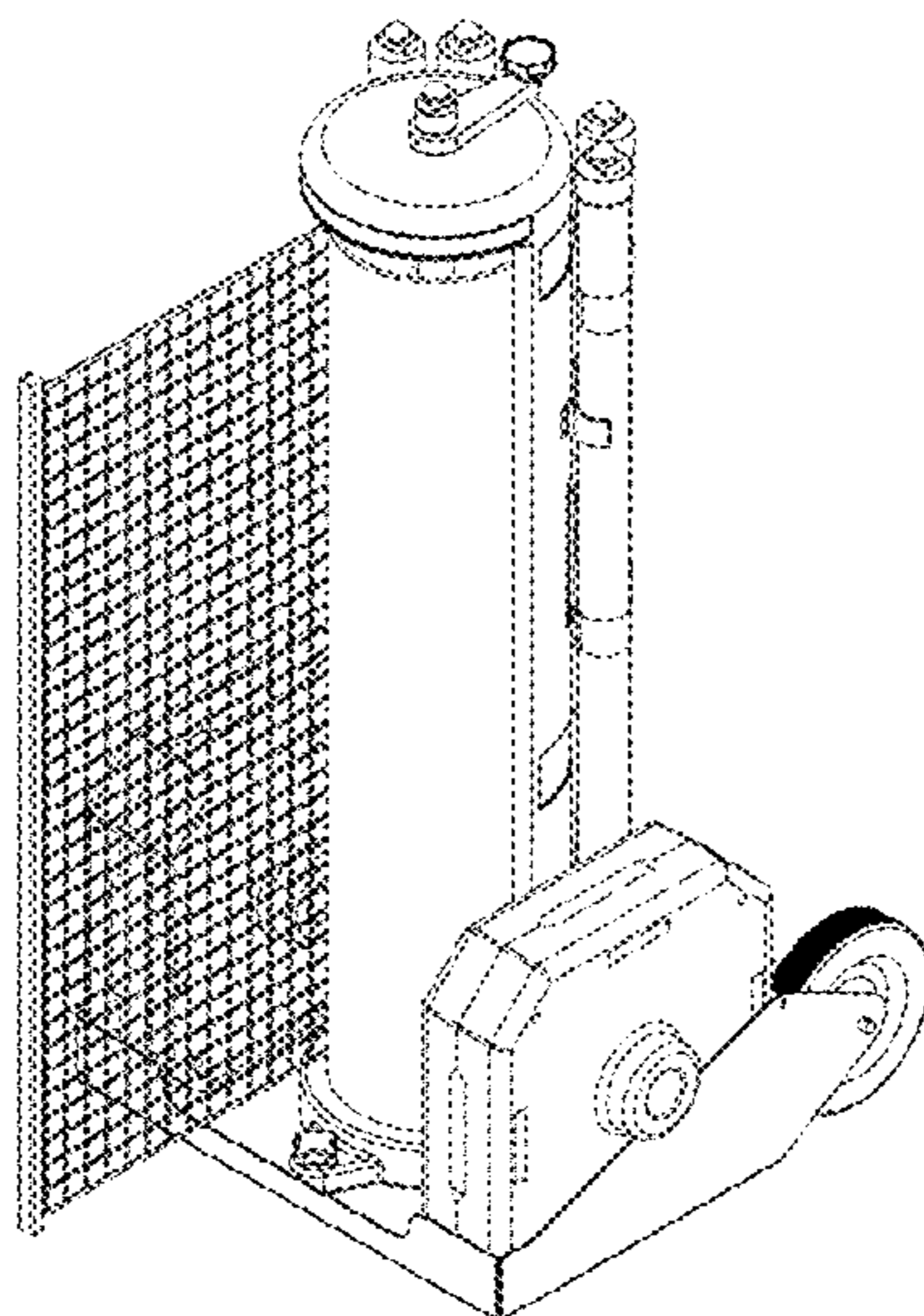
(57) **CLAIM**

I claim the ornamental design for a cartridge and cartridge assembly, as shown and described.

DESCRIPTION

FIG. 1 is a right perspective view of a cartridge and cartridge assembly showing my new design;
FIG. 2 is a similar right perspective view of the cartridge and cartridge assembly shown in FIG. 1;
FIG. 3 is a front plan view of the cartridge and cartridge assembly shown in FIG. 2;
FIG. 4 is a rear plan view of the cartridge and cartridge assembly shown in FIG. 2;
FIG. 5 is a left side view of the cartridge and cartridge assembly shown in FIG. 2;
FIG. 6 is a right side view of the cartridge and cartridge assembly shown in FIG. 2;
FIG. 7 is a top plan view of the cartridge and cartridge assembly shown in FIG. 2; and,
FIG. 8 is a bottom plan view of the cartridge and cartridge assembly shown in FIG. 2.
The subject matter shown in dashed lines, and any surfaces of the design not shown, including interior surfaces, form no part of the claimed invention.

1 Claim, 8 Drawing Sheets



(56)

References Cited

U.S. PATENT DOCUMENTS

D451,256	S *	11/2001	Armanno, Sr.	D34/12
6,575,435	B1 *	6/2003	Kotzen	E04H 4/06 160/10
6,733,204	B1 *	5/2004	Paniccia	E01F 7/06 160/238
7,217,061	B2 *	5/2007	Stratton	E01F 7/00 160/24
7,513,511	B2 *	4/2009	Chaseateau	B62B 1/002 280/43.1
D621,529	S *	8/2010	Paige	D25/126
D621,957	S *	8/2010	Lundh	D25/48.5
D656,623	S *	3/2012	Emrey	D25/48.4
D715,511	S *	10/2014	Okwumabua	D34/12
D758,687	S *	6/2016	Shitrit	D34/12
9,598,896	B1 *	3/2017	Pichik	E06B 9/08
D796,770	S *	9/2017	Miller	D34/24
9,908,465	B2 *	3/2018	Allison	B60Q 7/00
10,011,985	B2 *	7/2018	Strong	E06B 9/17
2003/0164485	A1 *	9/2003	Olson	B21F 33/002 256/37
2005/0098770	A1 *	5/2005	Schell	E01F 13/028 256/25
2006/0131551	A1 *	6/2006	Hopp	E01F 13/028 256/21
2011/0020099	A1 *	1/2011	Hollins	B62B 1/14 414/334
2013/0147163	A1 *	6/2013	Chang	B62B 1/12 280/652
2014/0054404	A1 *	2/2014	Mitchell	B65H 75/38 242/370

* cited by examiner

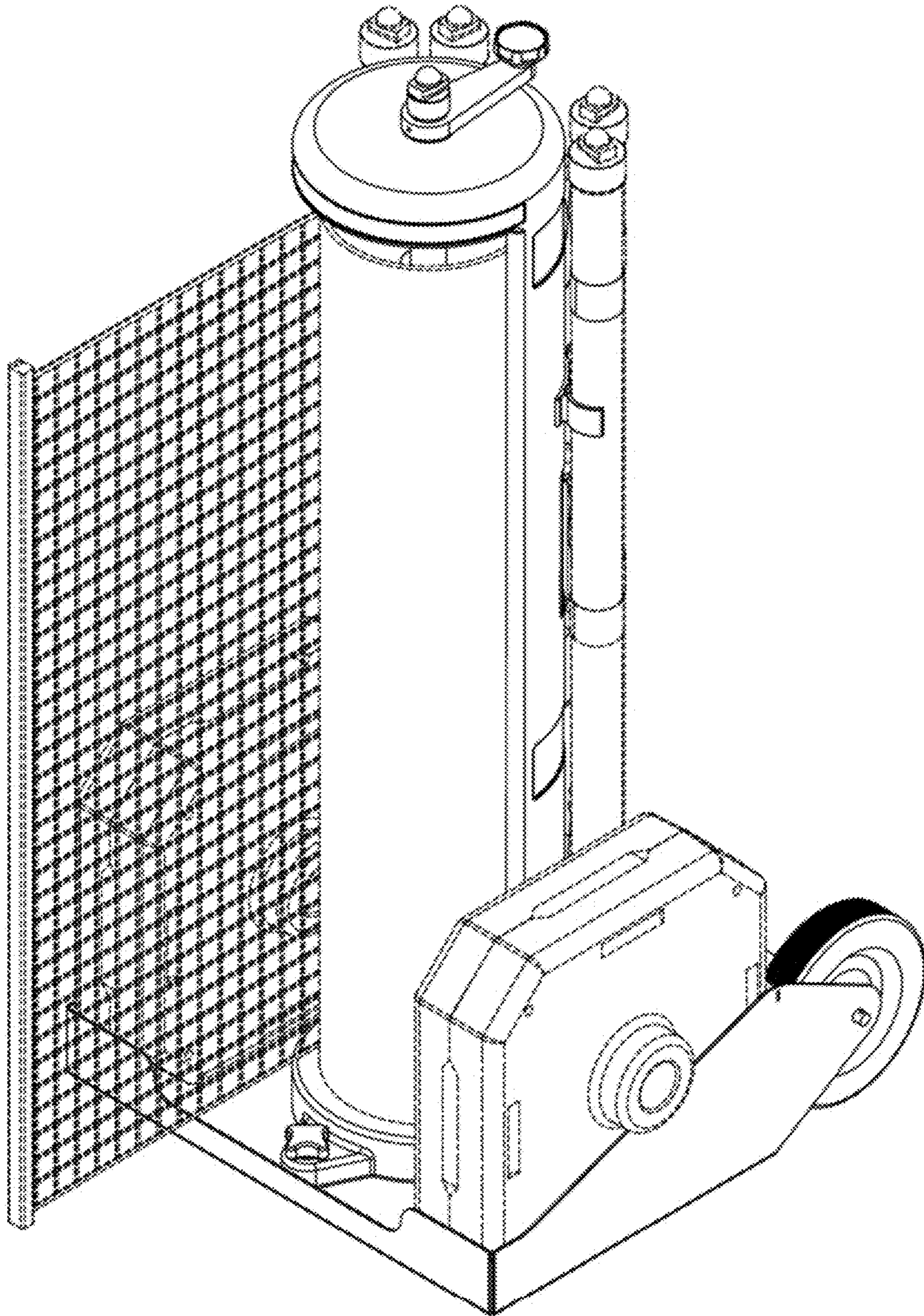


Figure 1

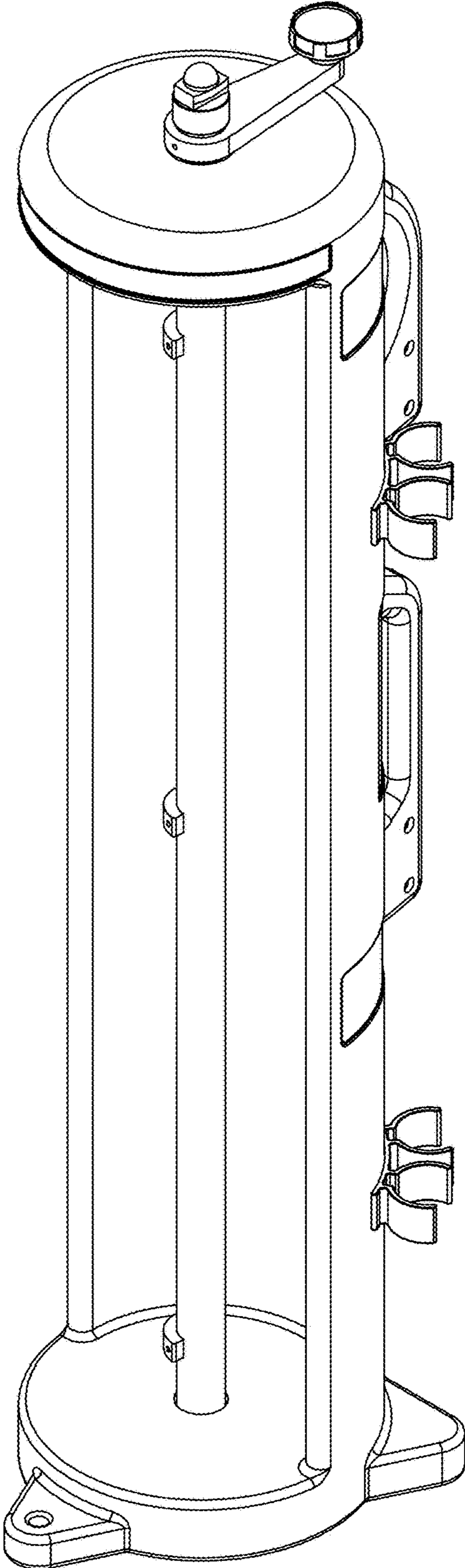


Figure 2

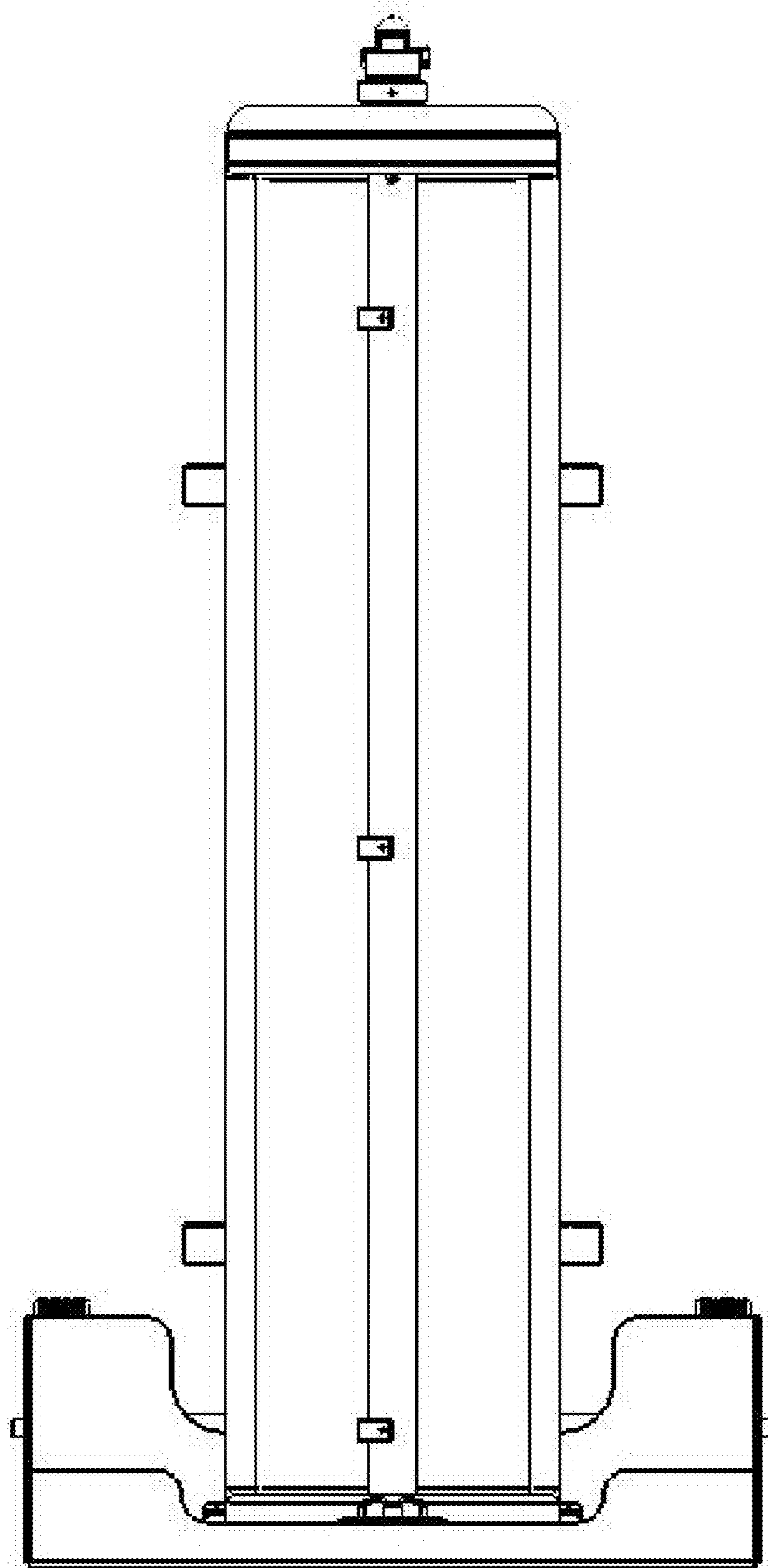


Figure 3

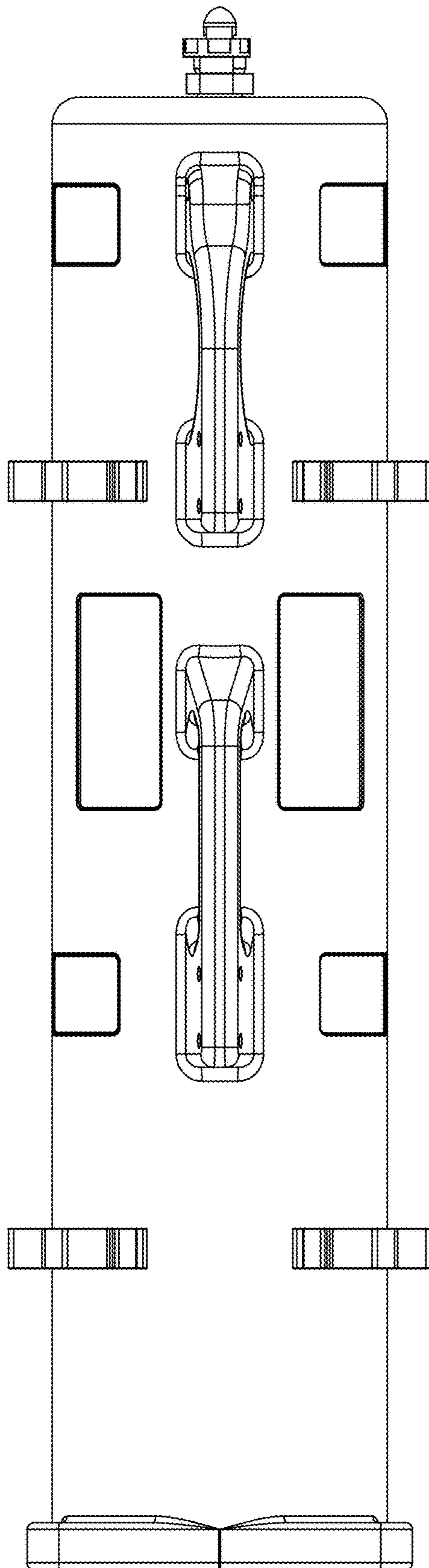


Figure 4

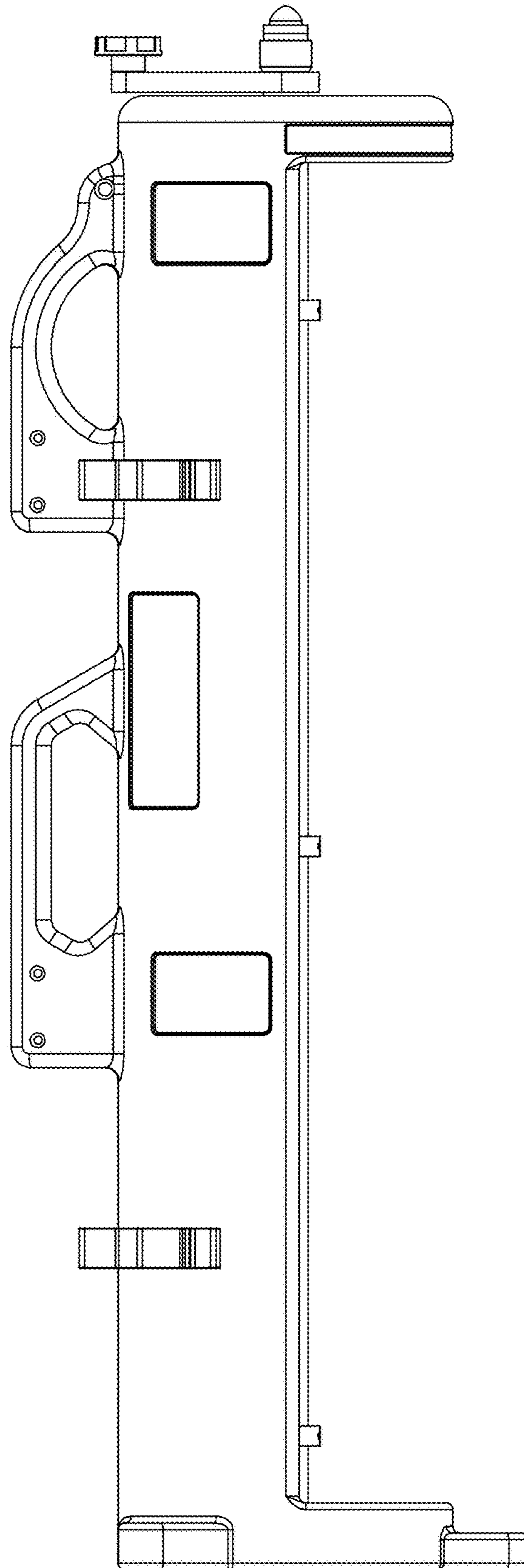


Figure 5

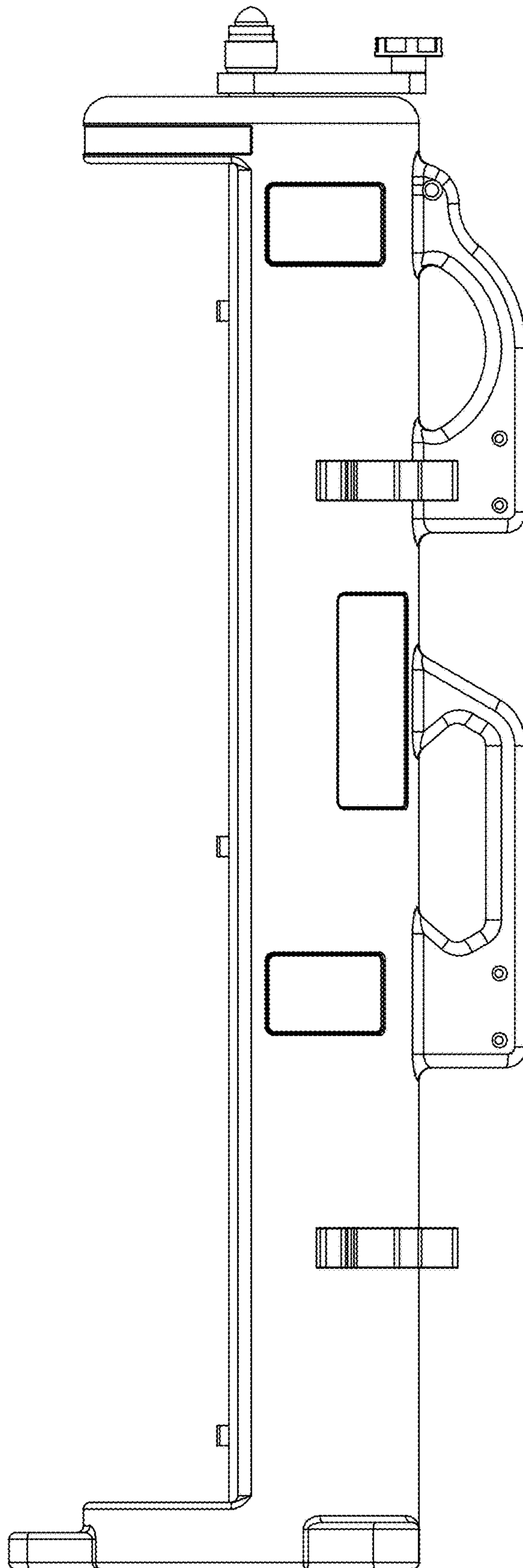


Figure 6

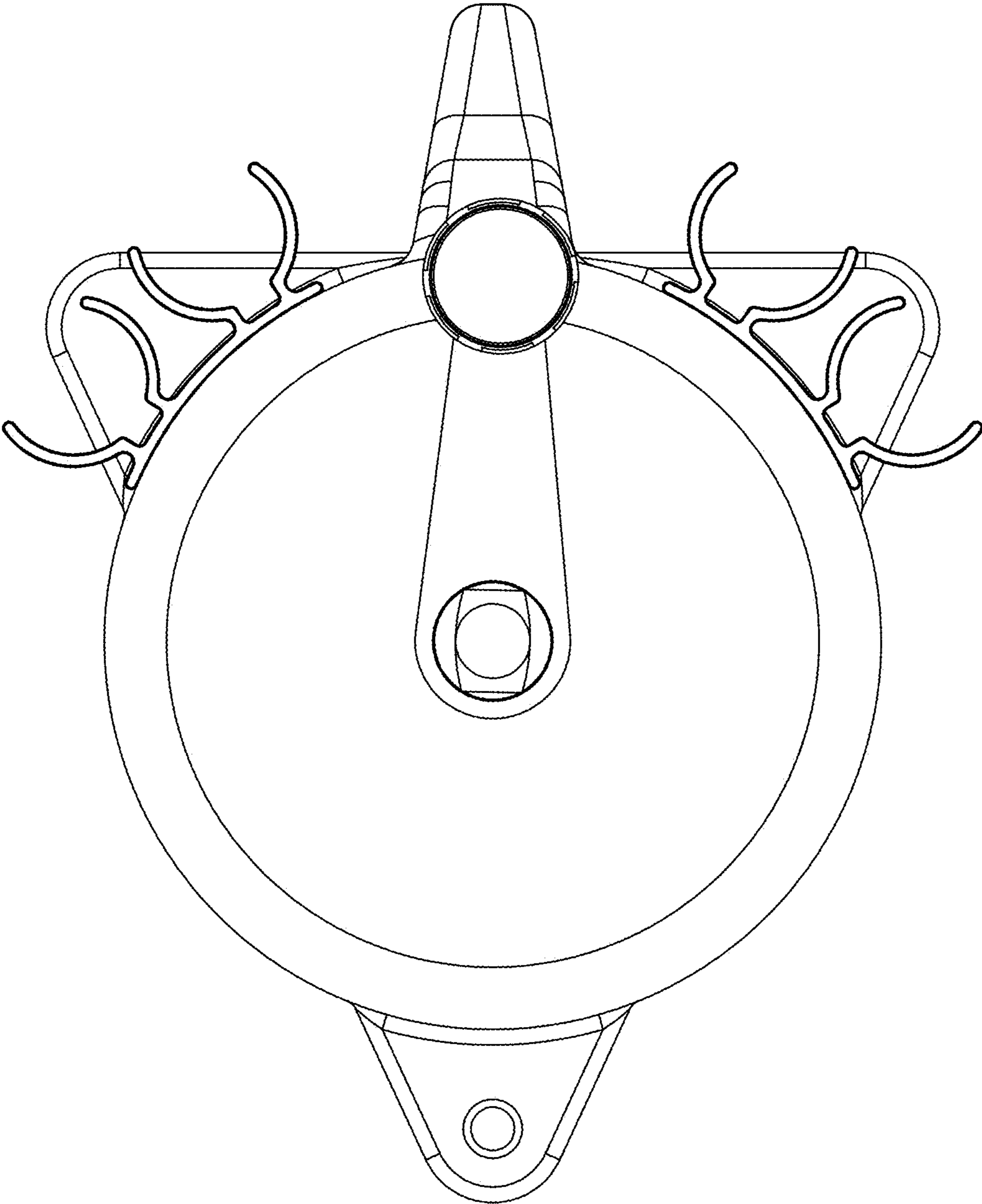


Figure 7

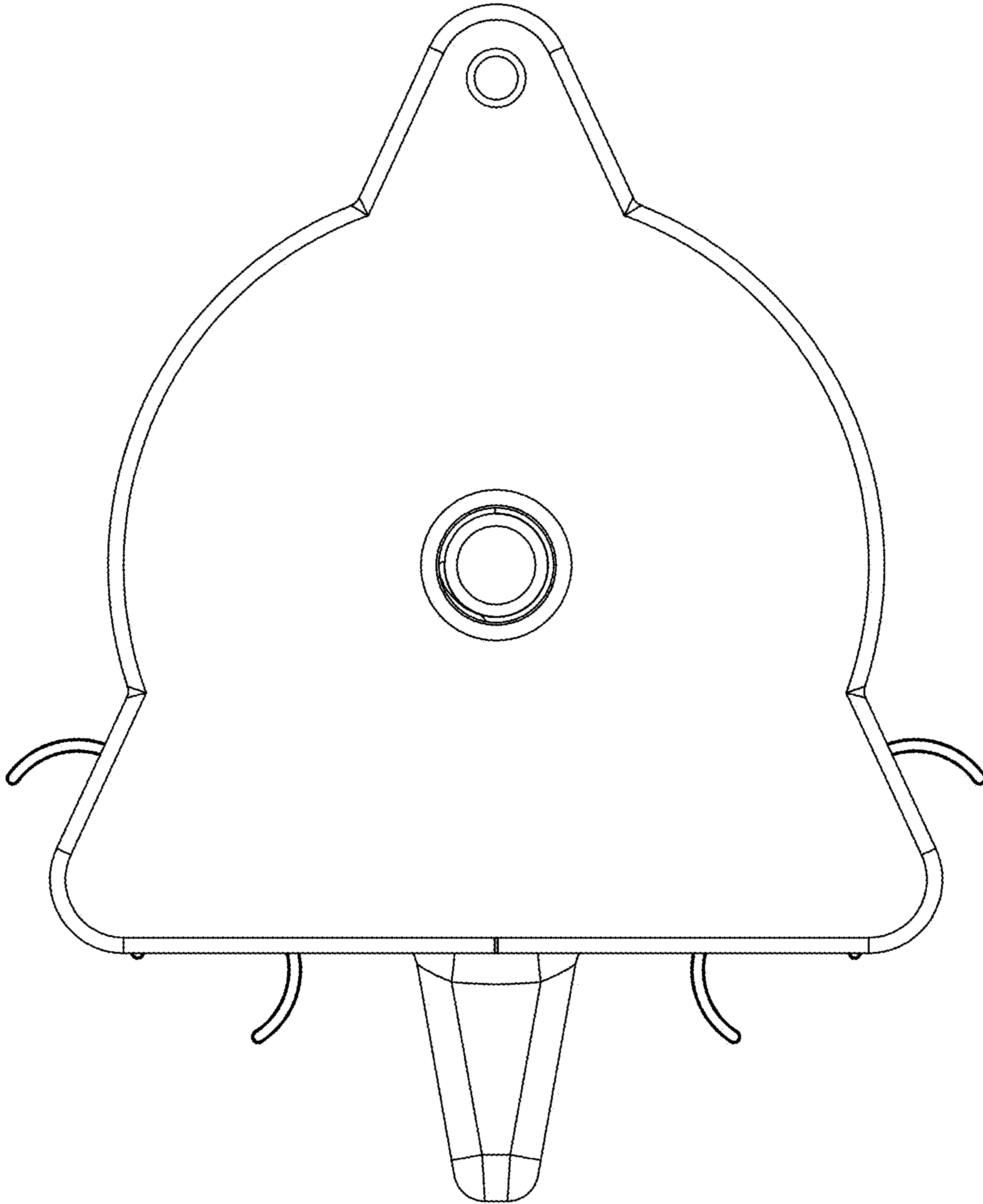


Figure 8