



US00D851351S

(12) **United States Design Patent**
Bulger

(10) **Patent No.:** **US D851,351 S**
(45) **Date of Patent:** **** Jun. 11, 2019**

(54) **COMBINATION SEAT AND HANDCART APPARATUS**

(71) Applicant: **James A Bulger**, Bainbridge, GA (US)

(72) Inventor: **James A Bulger**, Bainbridge, GA (US)

(**) Term: **15 Years**

(21) Appl. No.: **29/612,894**

(22) Filed: **Aug. 4, 2017**

(51) **LOC (11) Cl.** **12-02**

(52) **U.S. Cl.**
USPC **D34/14**

(58) **Field of Classification Search**
USPC D34/12, 13, 14, 16-22, 25-27; 280/651, 280/47.34, 47.35, 47.19, 47.17, 79.2, 30, 280/647, 652, 645, 47.25, 33.993, 250.1, 280/304.1

CPC B62B 1/12; B62B 3/02; B62B 5/0438; B62B 3/0606; B62B 3/144; B62B 5/08
See application file for complete search history.

(56) **References Cited**

U.S. PATENT DOCUMENTS

3,997,213	A	12/1976	Smith
4,846,486	A	7/1989	Hobson
5,203,815	A	4/1993	Miller
5,836,601	A	11/1998	Nelson
5,967,544	A	10/1999	Kanta
6,000,713	A	12/1999	Lin
6,375,200	B1	4/2002	Harter
7,213,692	B2	5/2007	Wang

8,794,655	B1 *	8/2014	Gipson	B62B 1/008
					280/304.1
8,870,209	B2 *	10/2014	Conrad	B60D 1/167
					280/250.1
9,027,952	B2 *	5/2015	Zhu	B62B 7/142
					280/30
9,033,360	B2 *	5/2015	Davis	A61G 5/1059
					280/647
9,216,120	B2 *	12/2015	Bussinger	A61G 5/10
D747,063	S *	1/2016	Hermosillo	D34/14

* cited by examiner

Primary Examiner — Cynthia Ramirez

Assistant Examiner — Gino Colan

(74) *Attorney, Agent, or Firm* — Brian D. Bellamy

(57) **CLAIM**

The ornamental design for a combination seat and handcart apparatus, as shown and described.

DESCRIPTION

FIG. 1 is a front elevation view of a combination seat and handcart apparatus showing my new design.

FIG. 2 is a rear elevation view of FIG. 1.

FIG. 3 is a right elevation view of FIG. 1.

FIG. 4 is a left elevation view of FIG. 1.

FIG. 5 is a top plan view of FIG. 1; and,

FIG. 6 is a bottom plan view of FIG. 1.

The broken lines in the figures showing wheels and two coolers are for the purpose of illustrating environment and form no part of the claimed design. The broken lines within the seat pads and bags are for the purpose of illustrating stitching that form part of the claimed design.

1 Claim, 6 Drawing Sheets

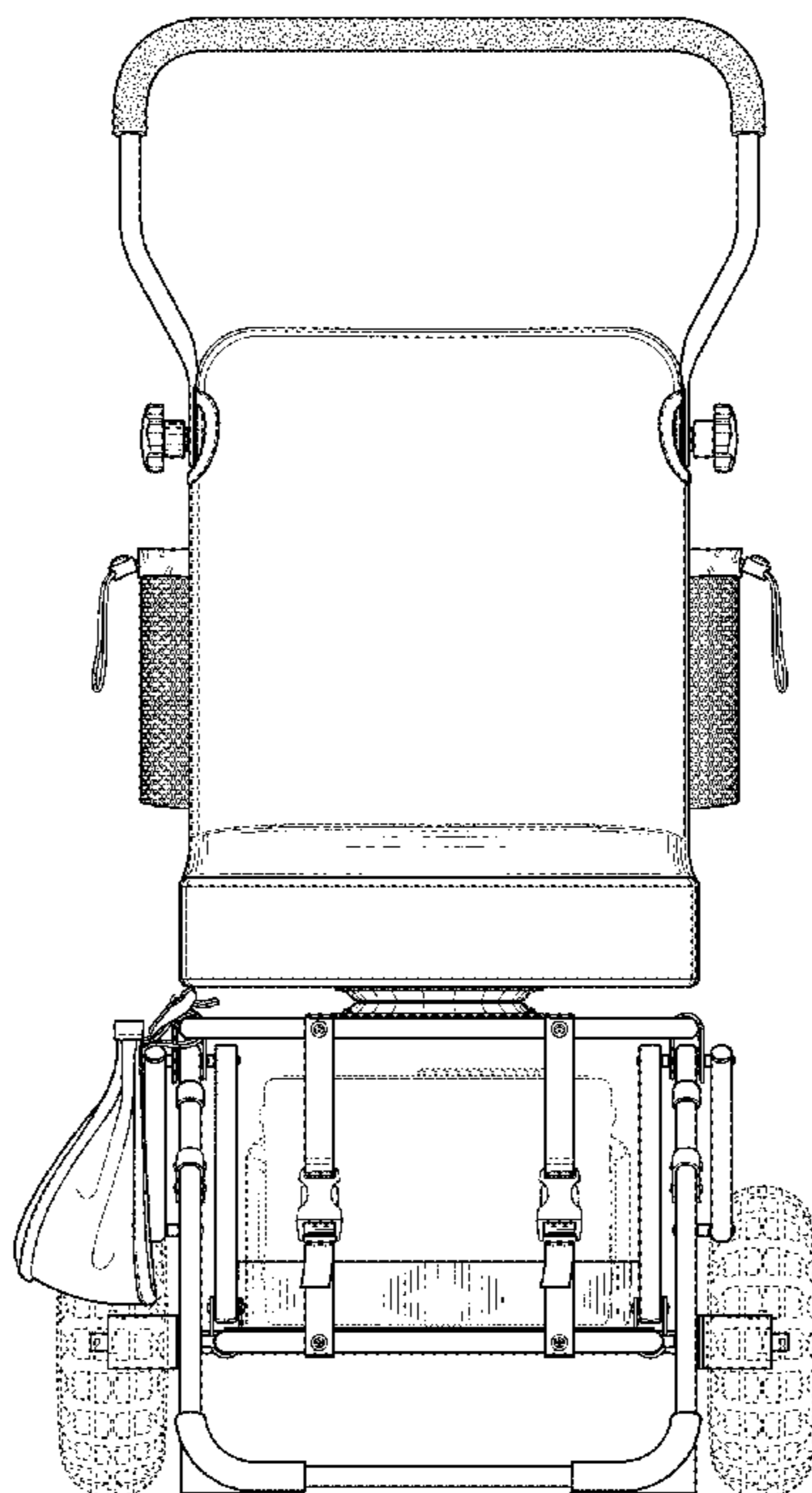


Fig. 1

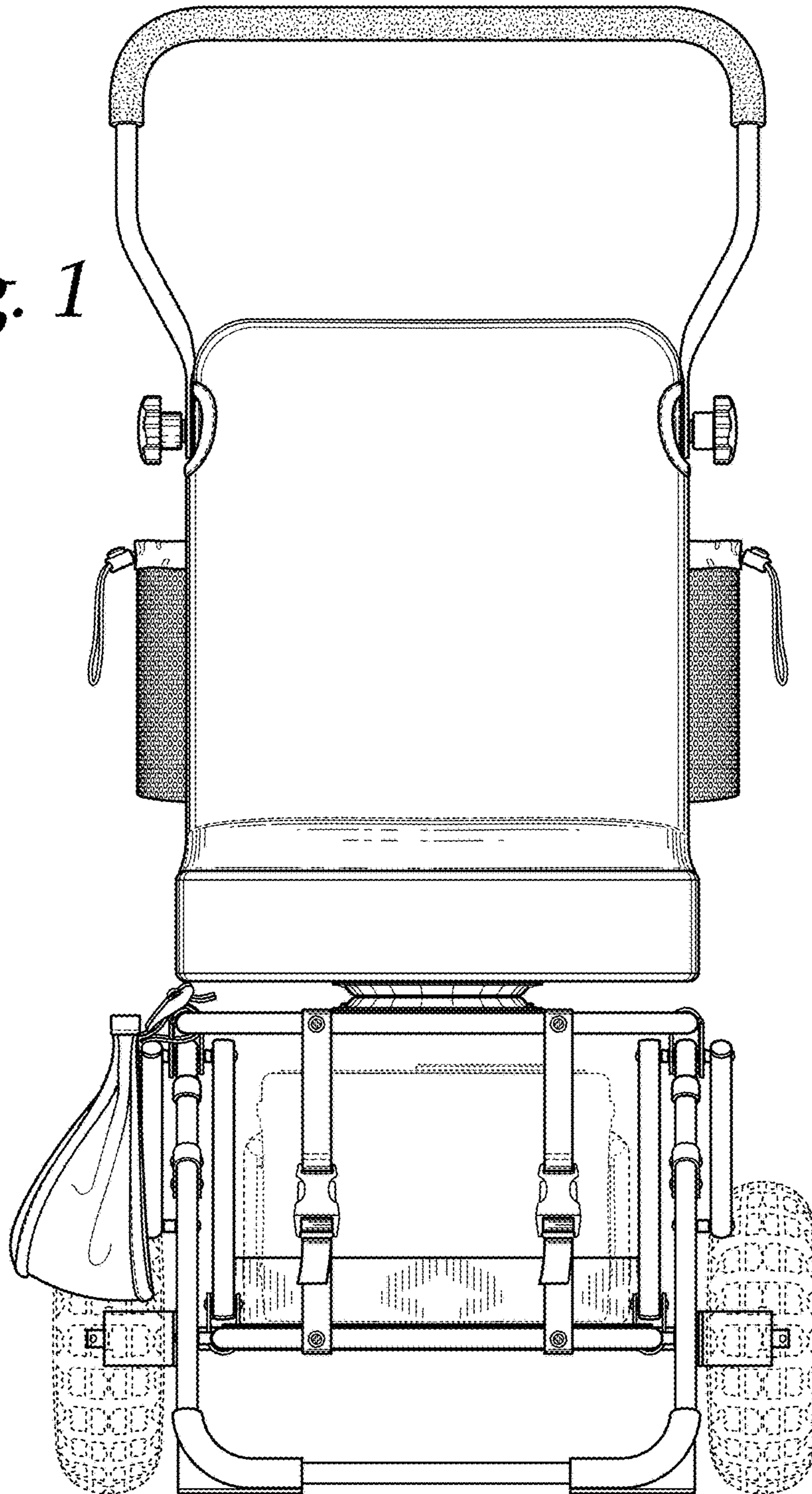
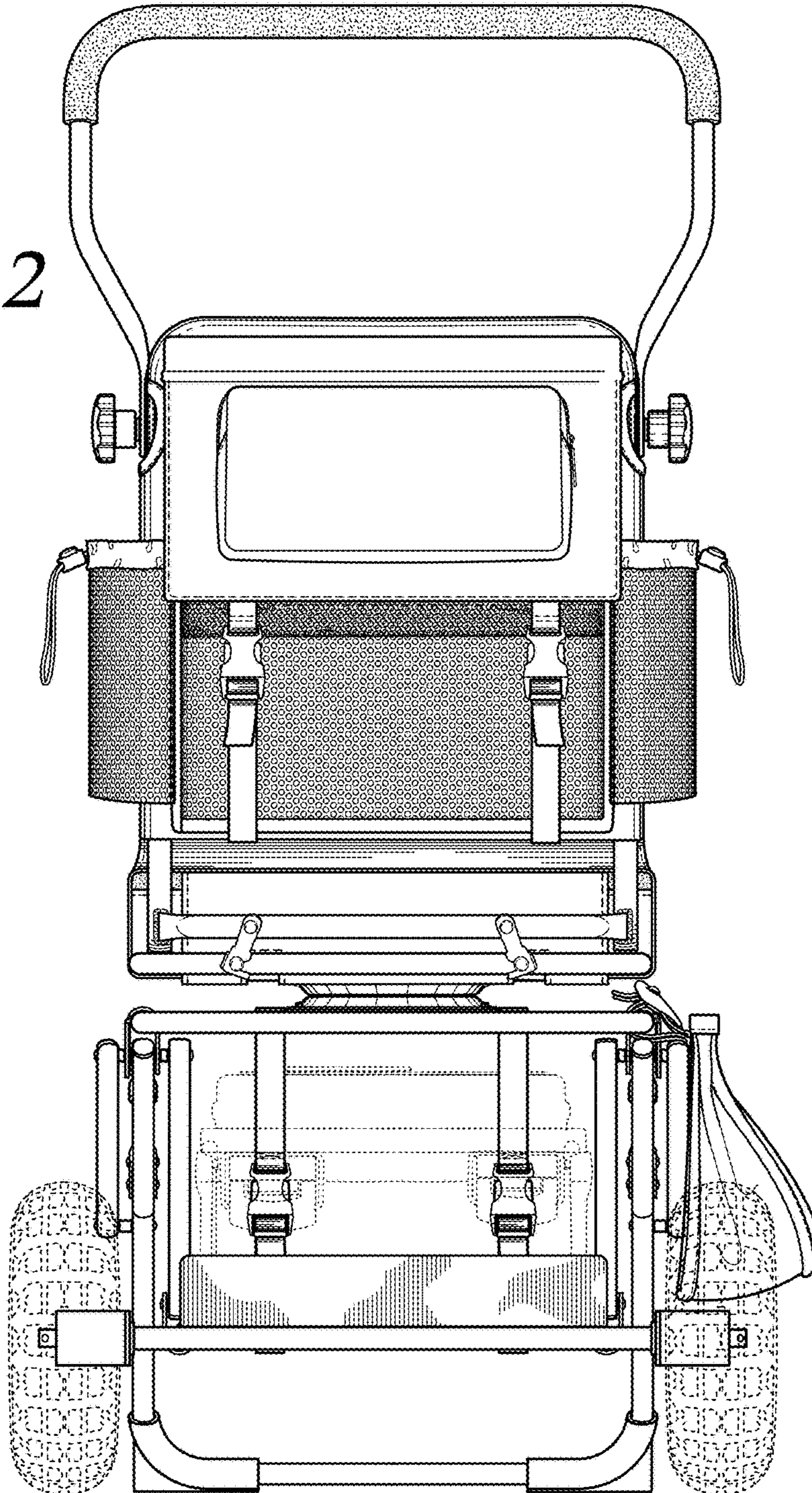


Fig. 2



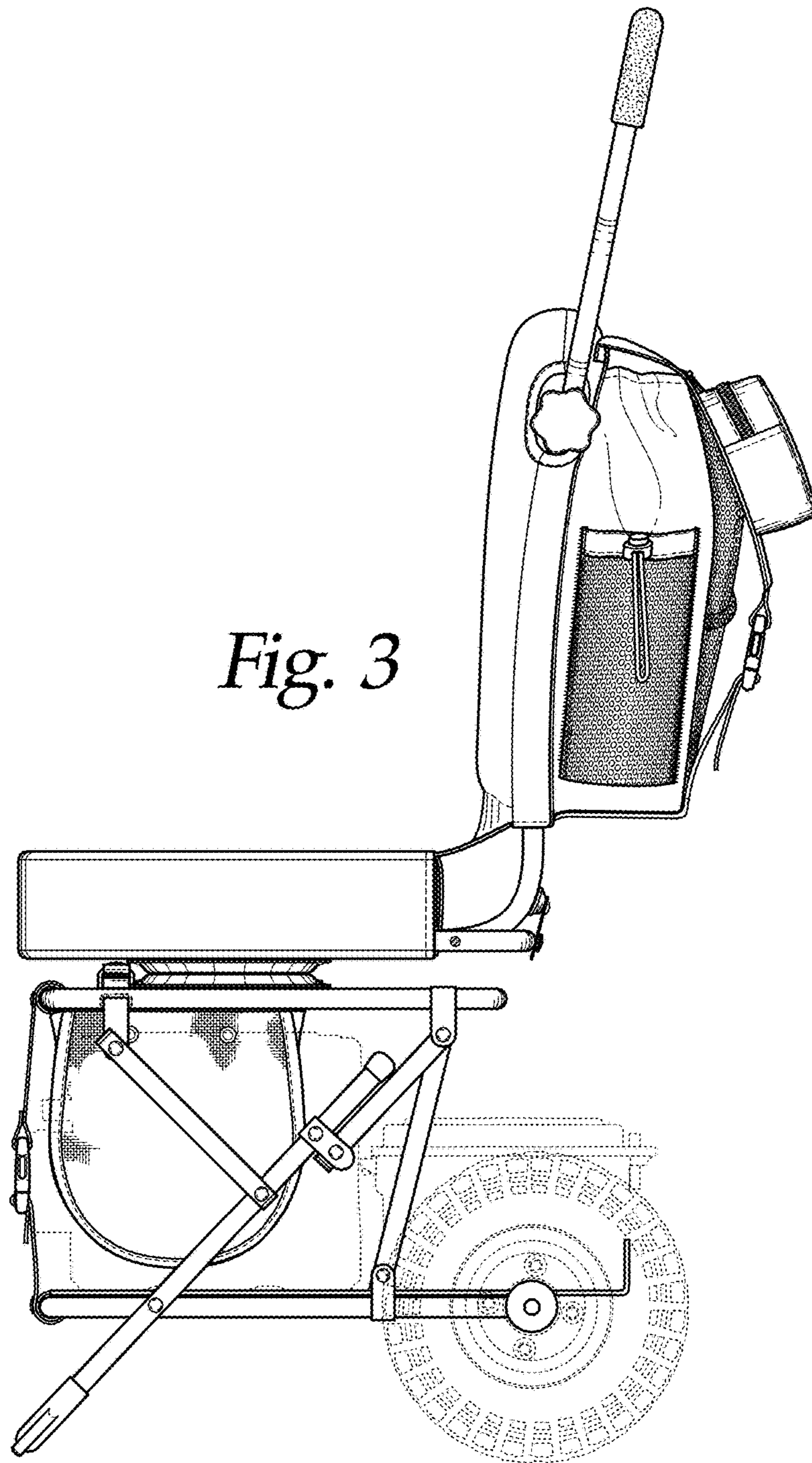


Fig. 3

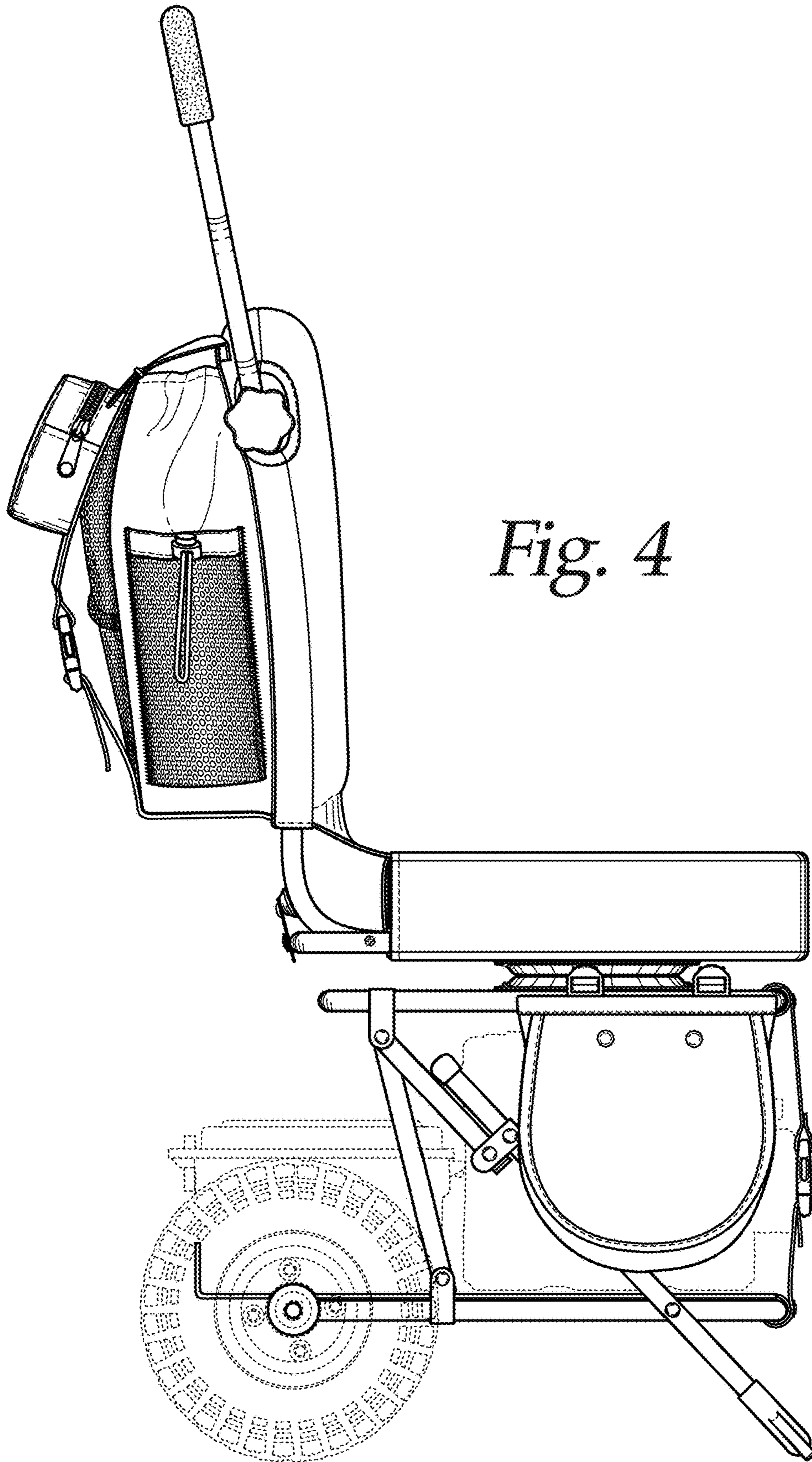


Fig. 4

Fig. 5

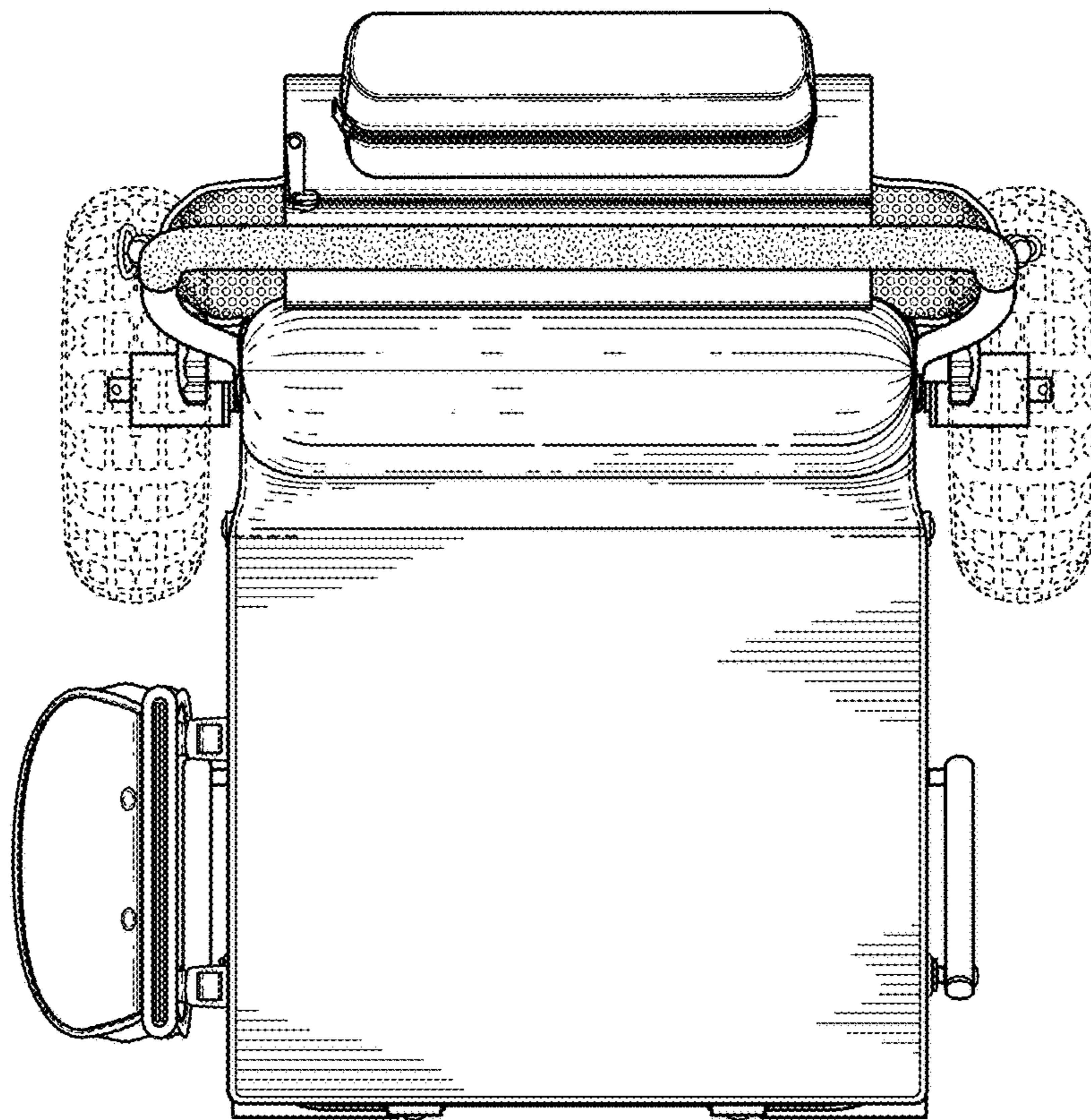


Fig. 6

