



US00D851349S

(12) **United States Design Patent** (10) **Patent No.:** **US D851,349 S**  
**Beumer et al.** (45) **Date of Patent:** **\*\* \*Jun. 11, 2019**

(54) **TRASH BIN**

(71) Applicant: **Brabantia Nederland B.V.**,  
Valkenswaard (NL)

(72) Inventors: **Richard Beumer**, Eindhoven (NL);  
**Joris Kristof Smeets**, Overpelt (BE)

(73) Assignee: **Brabantia Nederland B.V.**,  
Valkenswaard (NL)

(\*) Notice: This patent is subject to a terminal disclaimer.

(\*\*) Term: **15 Years**

(21) Appl. No.: **29/580,348**

(22) Filed: **Oct. 7, 2016**

(30) **Foreign Application Priority Data**

Apr. 8, 2016 (EM) ..... 003061134-0001  
Apr. 8, 2016 (EM) ..... 003061134-0002  
Apr. 8, 2016 (EM) ..... 003061134-0003

(51) **LOC (11) Cl.** ..... **09-09**

(52) **U.S. Cl.**  
USPC ..... **D34/9**

(58) **Field of Classification Search**  
USPC ..... D34/1-11  
CPC ..... B65F 1/163; B65F 1/1615; B65F 1/1623;  
B65F 1/16  
See application file for complete search history.

(56) **References Cited**

**U.S. PATENT DOCUMENTS**

D377,554 S \* 1/1997 Adriaansen ..... D34/7  
D491,706 S \* 6/2004 Yang ..... D34/9

D672,520 S \* 12/2012 Yang ..... D34/7  
D769,565 S \* 10/2016 Chen ..... D34/9  
D769,566 S \* 10/2016 Chen ..... D34/9  
D790,794 S \* 6/2017 Spadotto ..... D34/9  
D798,016 S \* 9/2017 Yang ..... D34/9  
2009/0194532 A1\* 8/2009 Yang ..... B65F 1/1638  
220/211

\* cited by examiner

*Primary Examiner* — Cynthia Ramirez

(74) *Attorney, Agent, or Firm* — Abelman, Frayne & Schwab

(57) **CLAIM**

The ornamental design for a trash bin, as shown and described.

**DESCRIPTION**

FIG. 1 is a front perspective view showing a first embodiment of our trash bin;  
FIG. 2 is a front plan view of our trash bin of FIG. 1;  
FIG. 3 is a left side plan view of our trash bin of FIG. 1;  
FIG. 4 is a left side plan view of our trash bin of FIG. 1;  
FIG. 5 is a rear plan view of our trash bin of FIG. 1;  
FIG. 6 is a top view of our trash bin of FIG. 1;  
FIG. 7 is a front perspective view showing a second embodiment of our trash bin;  
FIG. 8 is a front plan view of our trash bin of FIG. 7;  
FIG. 9 is a left side plan view of our trash bin of FIG. 7;  
FIG. 10 is a left side plan view of our trash bin of FIG. 7;  
FIG. 11 is a rear plan view of our trash bin of FIG. 7; and,  
FIG. 12 is a top view of our trash bin of FIG. 7.  
The broken lines in FIGS. 5 and 11 depict portions of the trash bin that form no part of the claimed design.

**1 Claim, 12 Drawing Sheets**

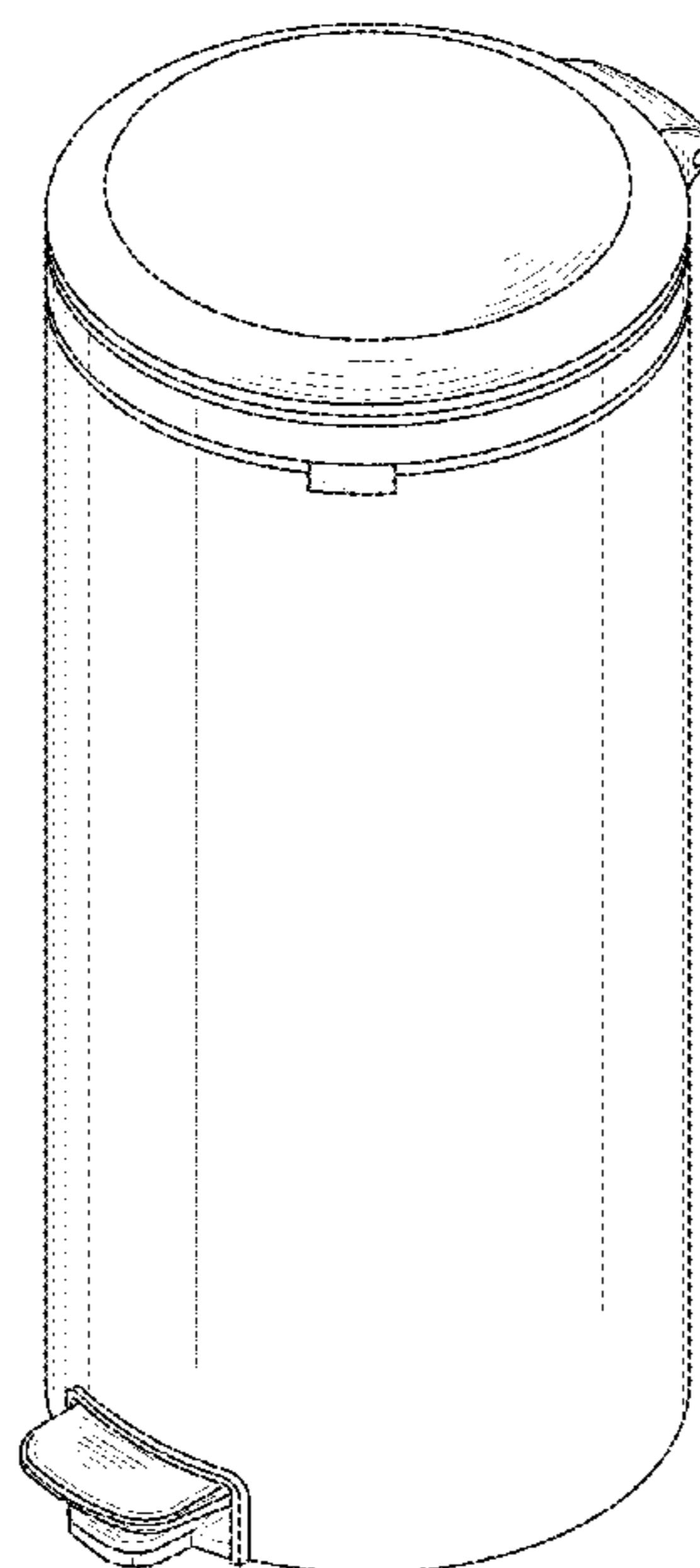


FIG. 1

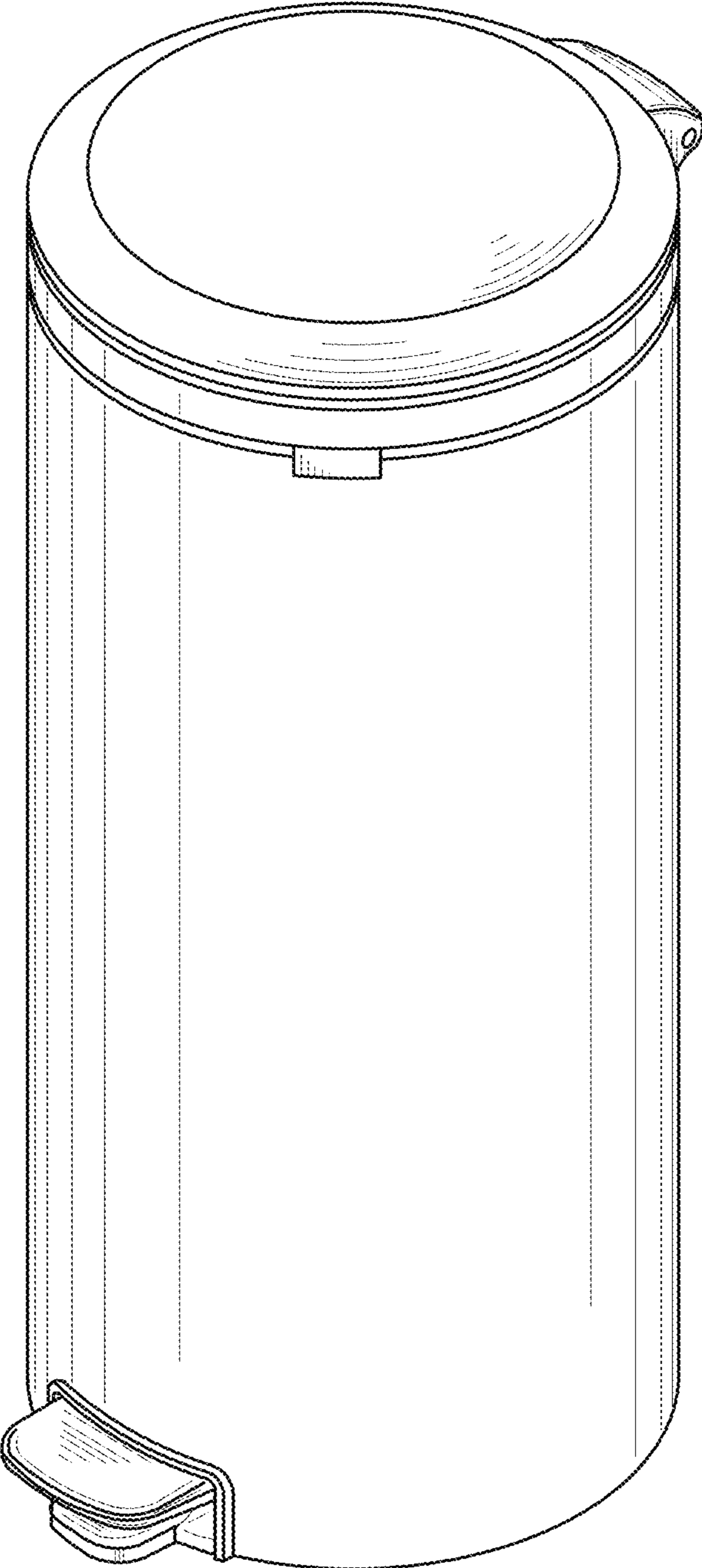


FIG. 2

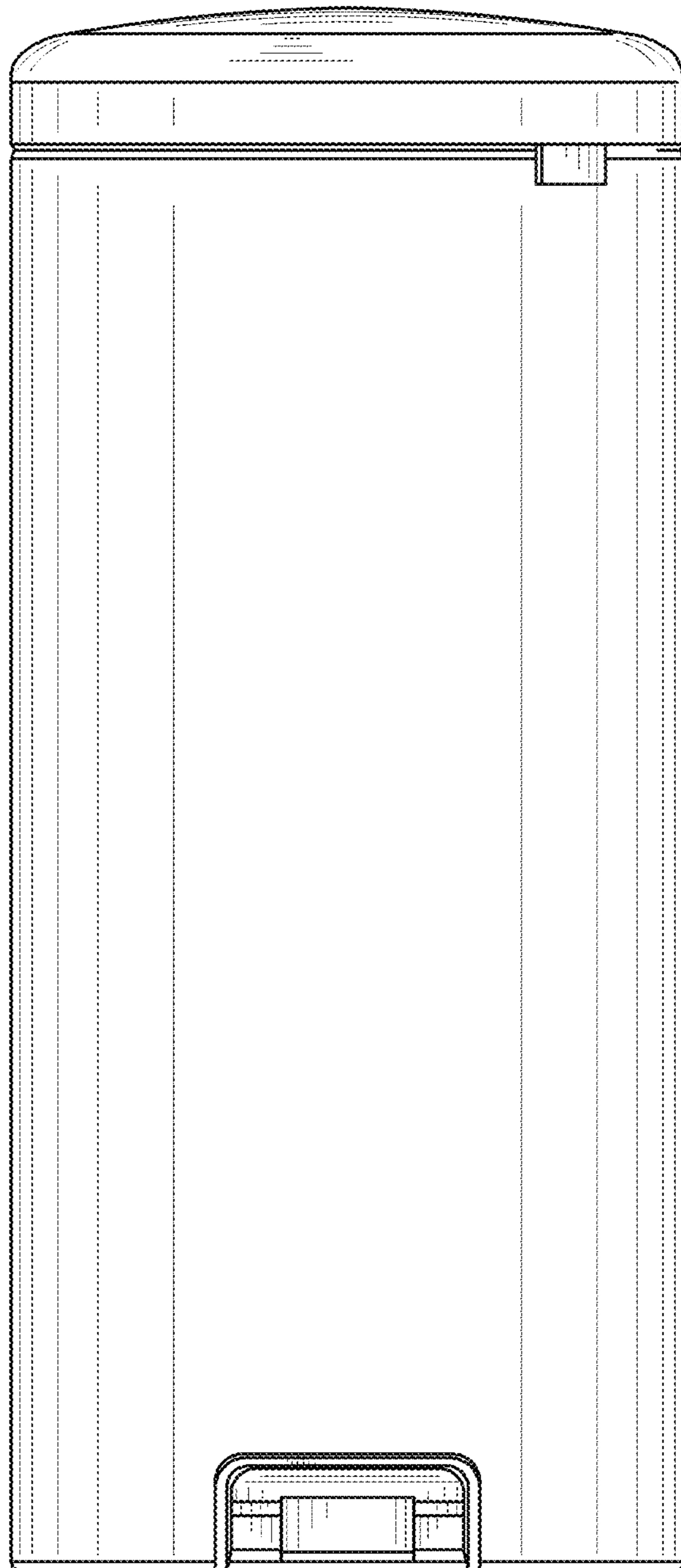


FIG. 3

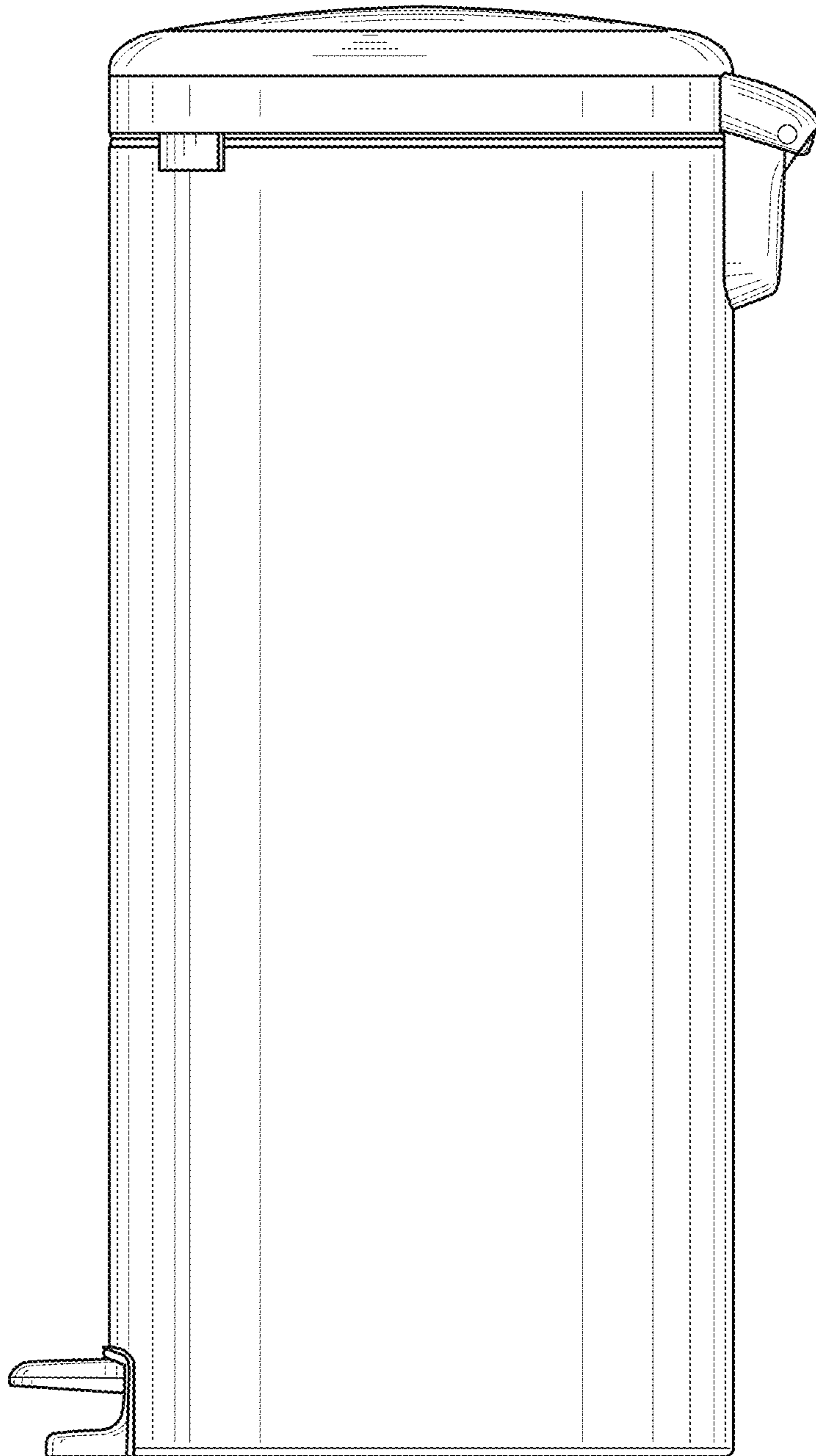


FIG. 4

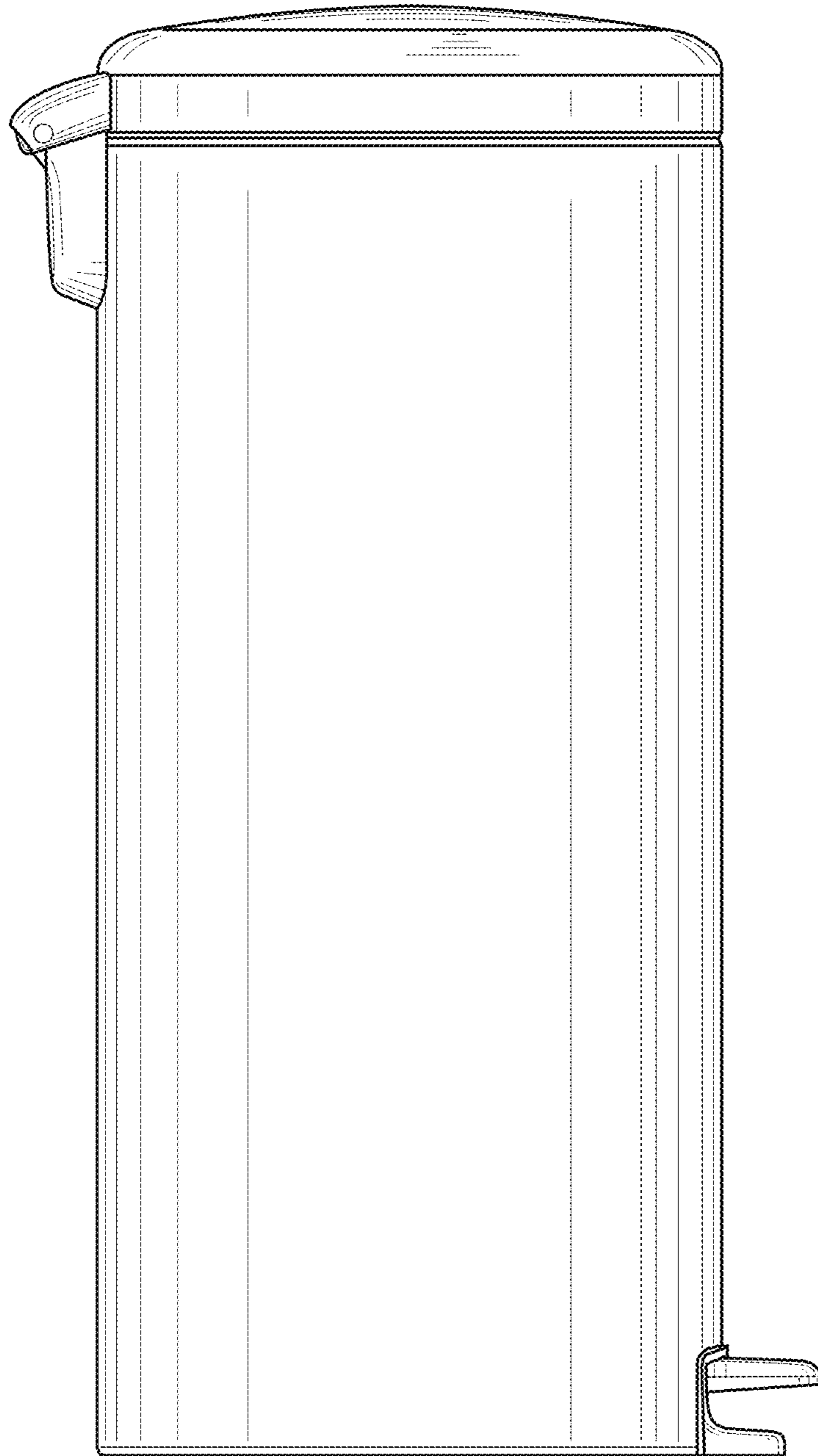


FIG. 5

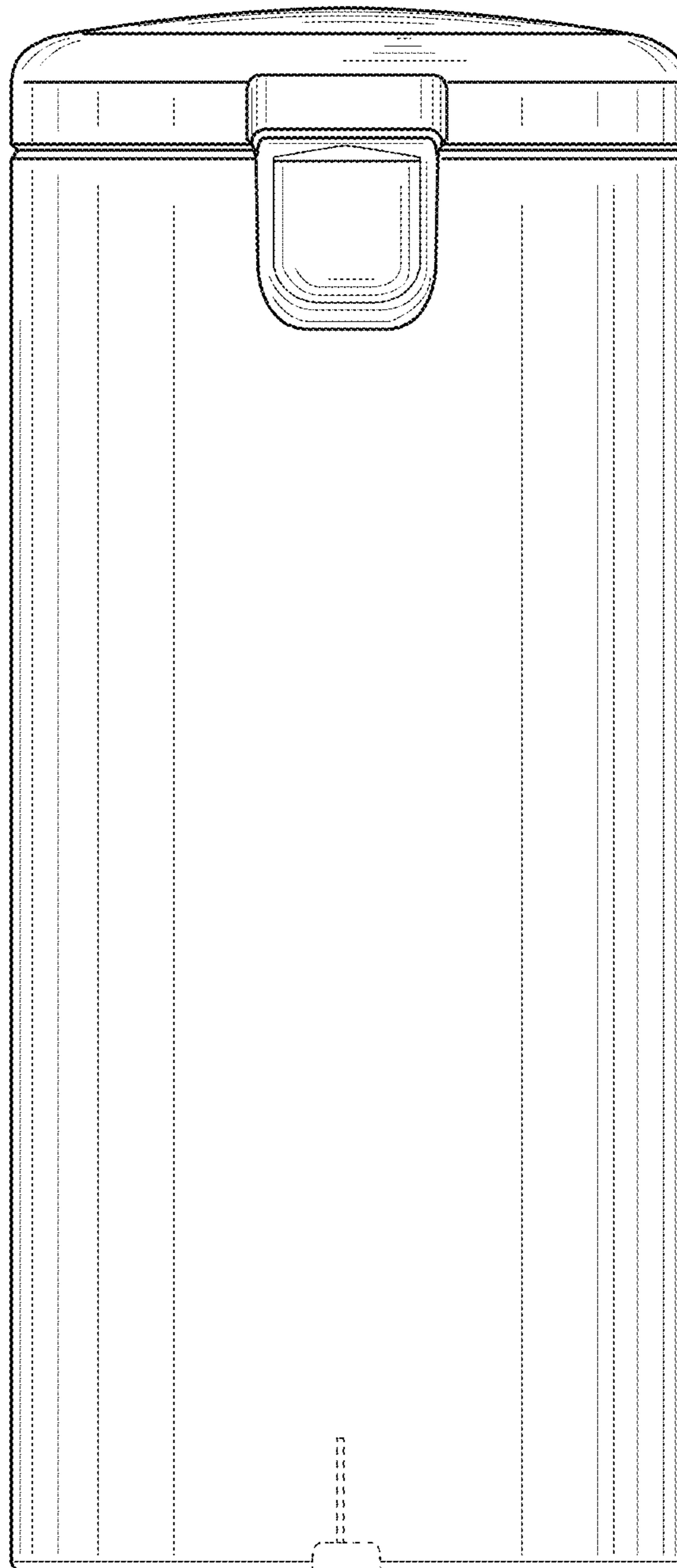


FIG. 6

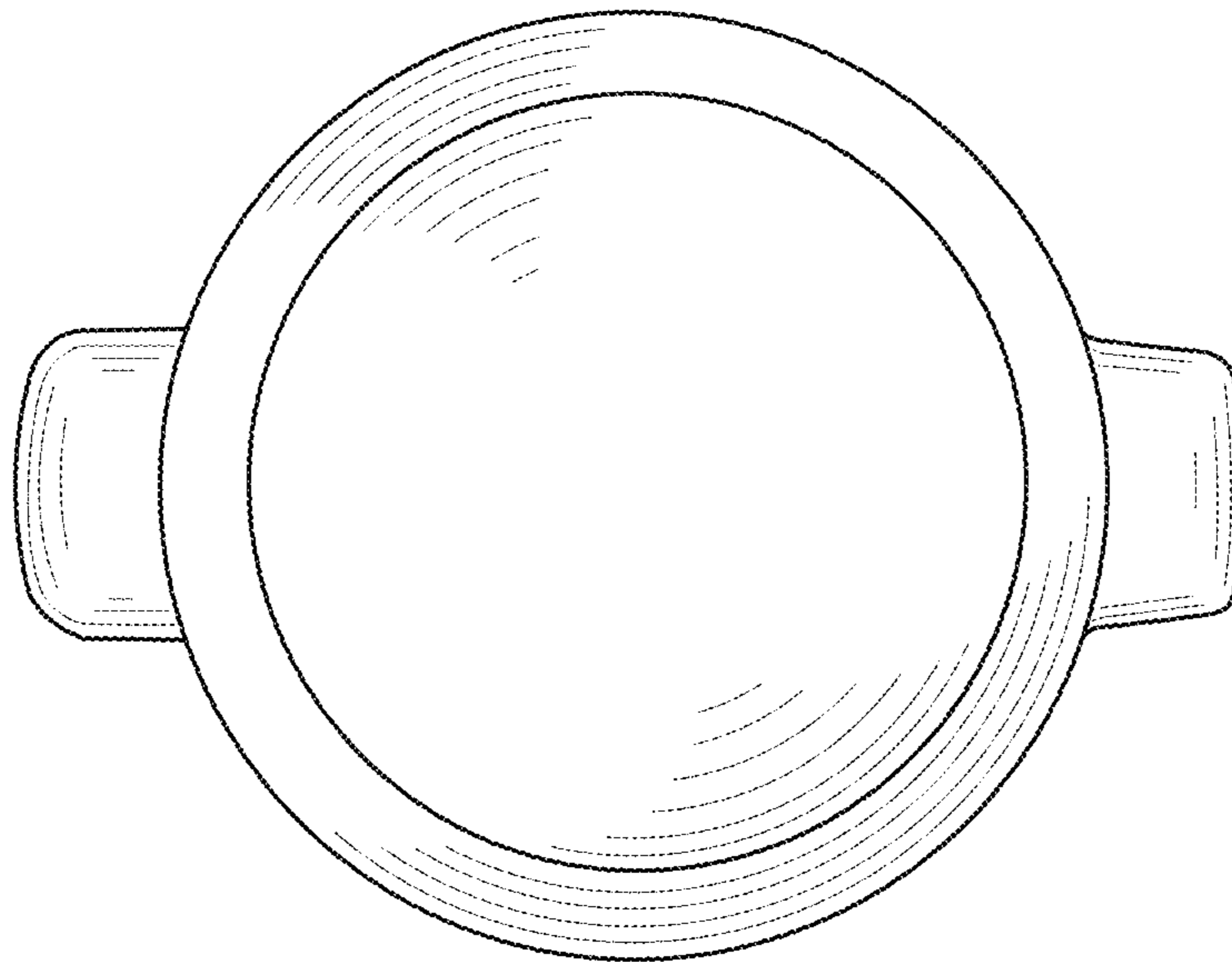


FIG. 7

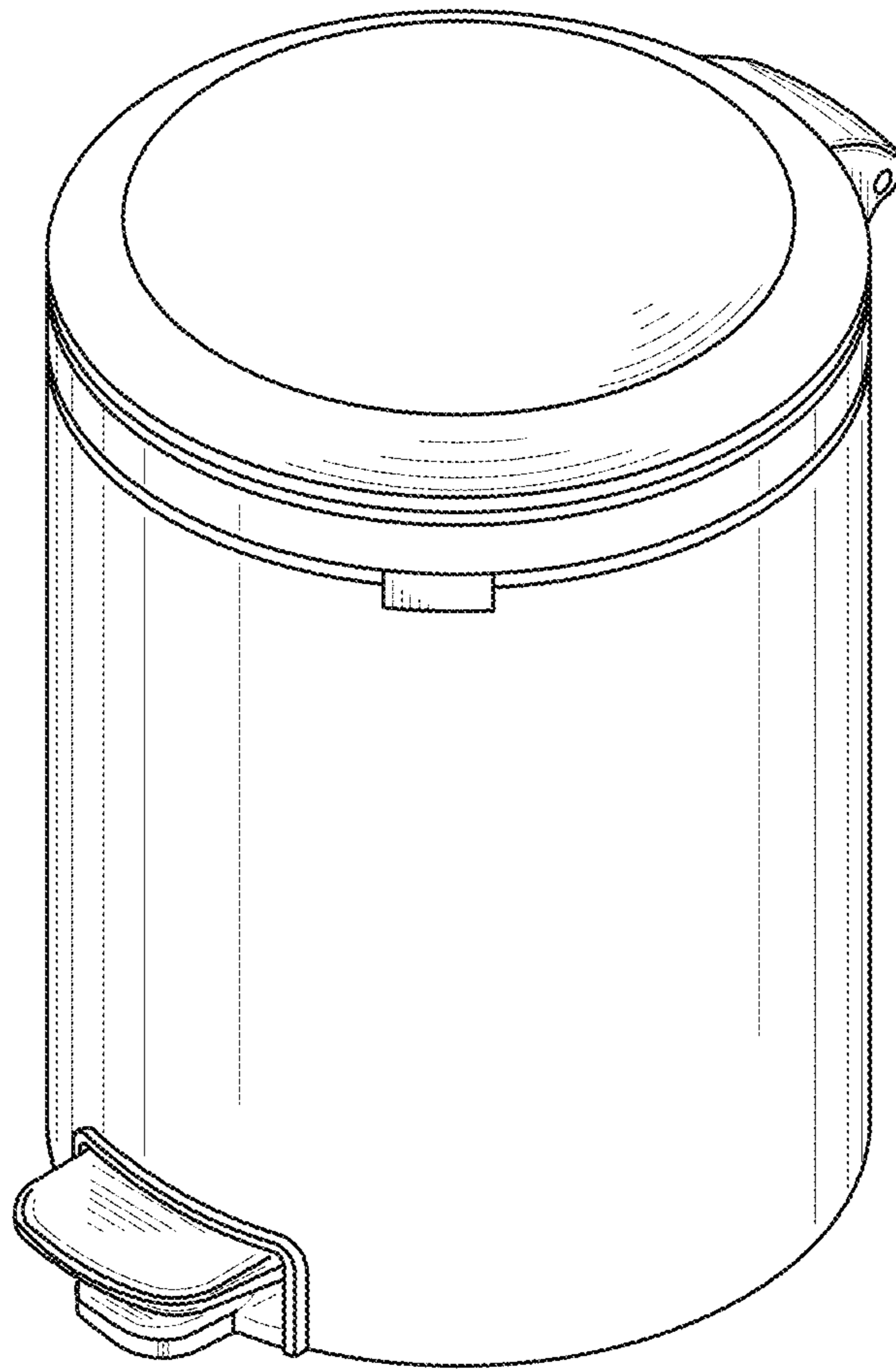




FIG. 8

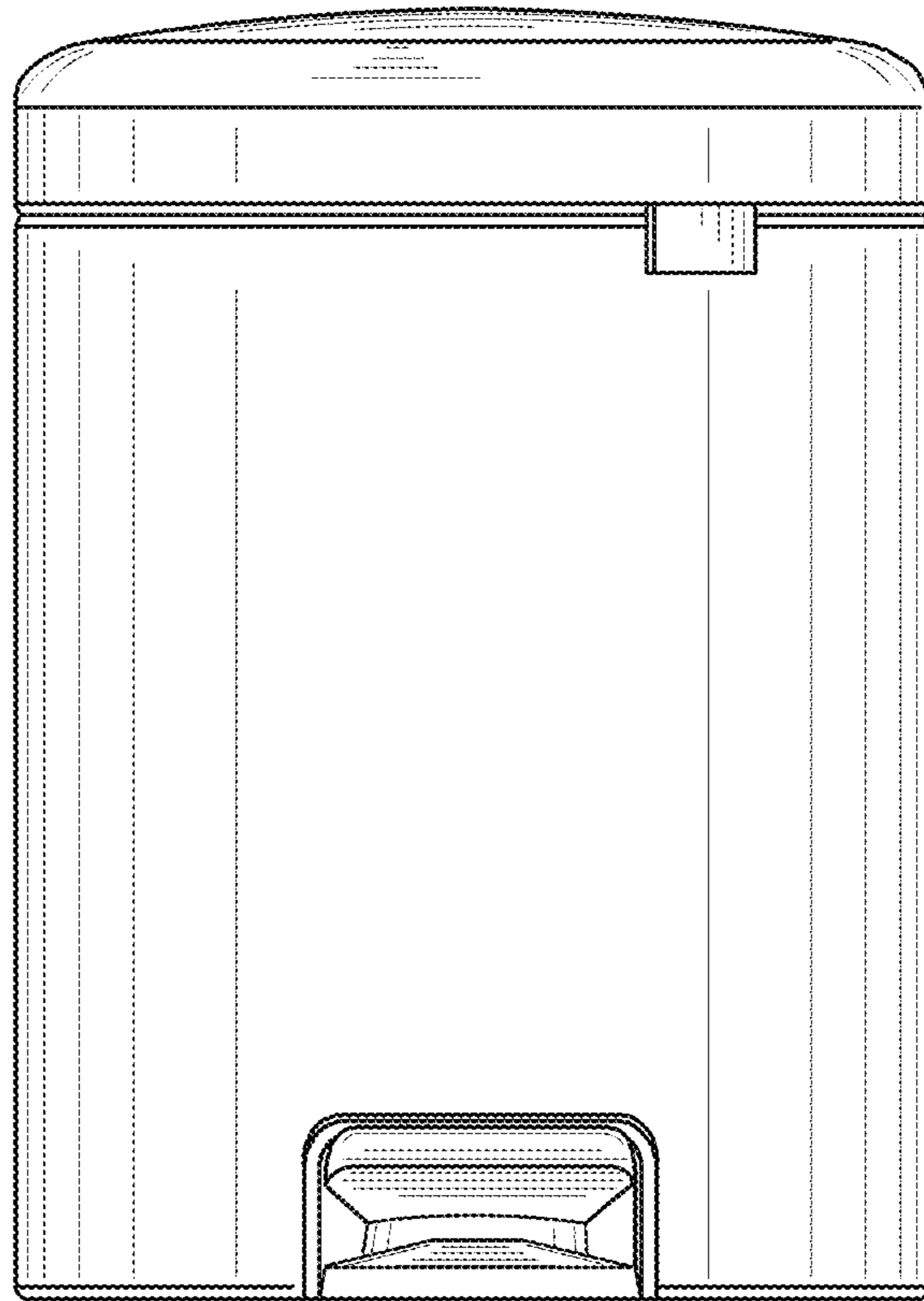


FIG. 9

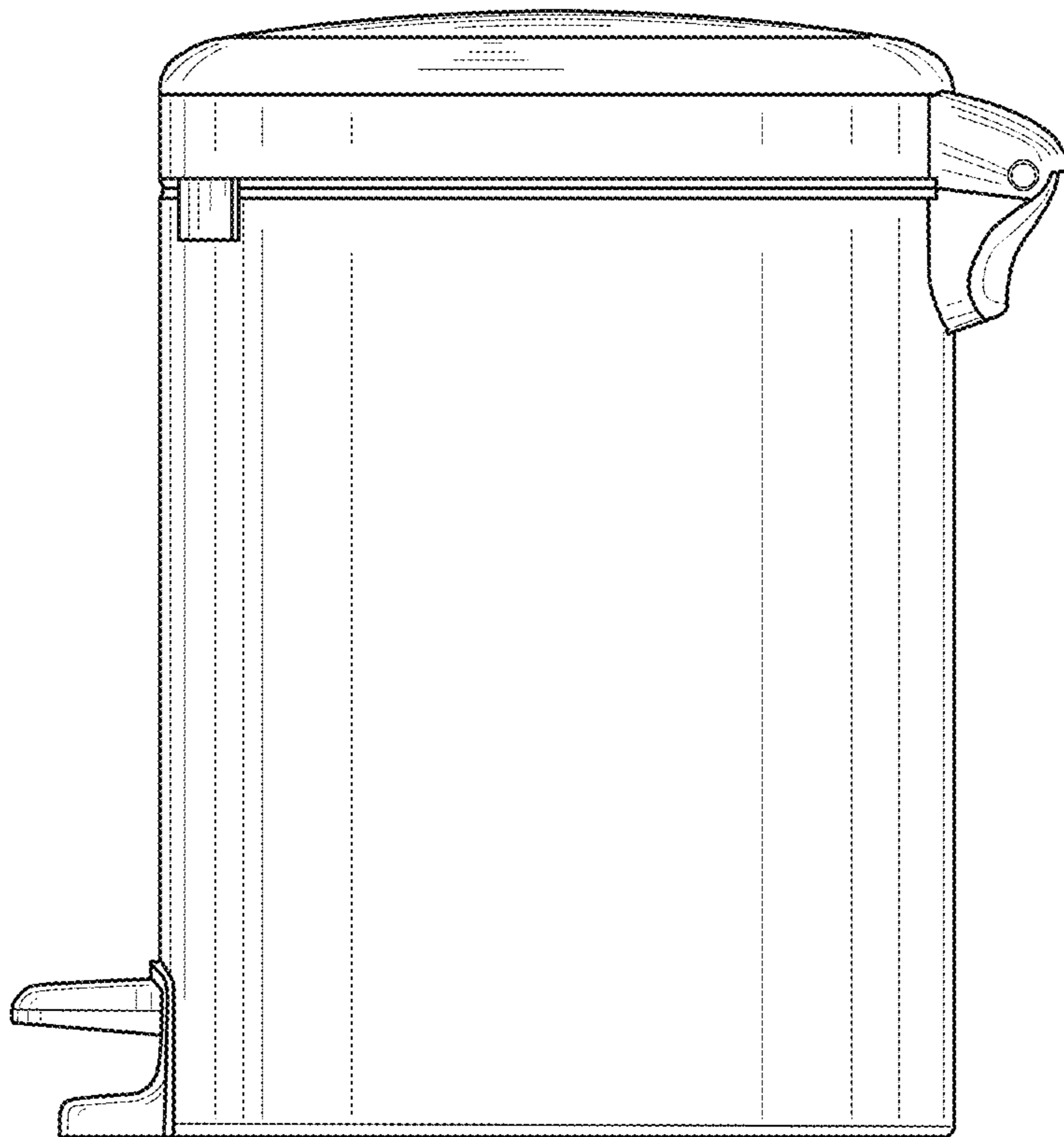


FIG. 10

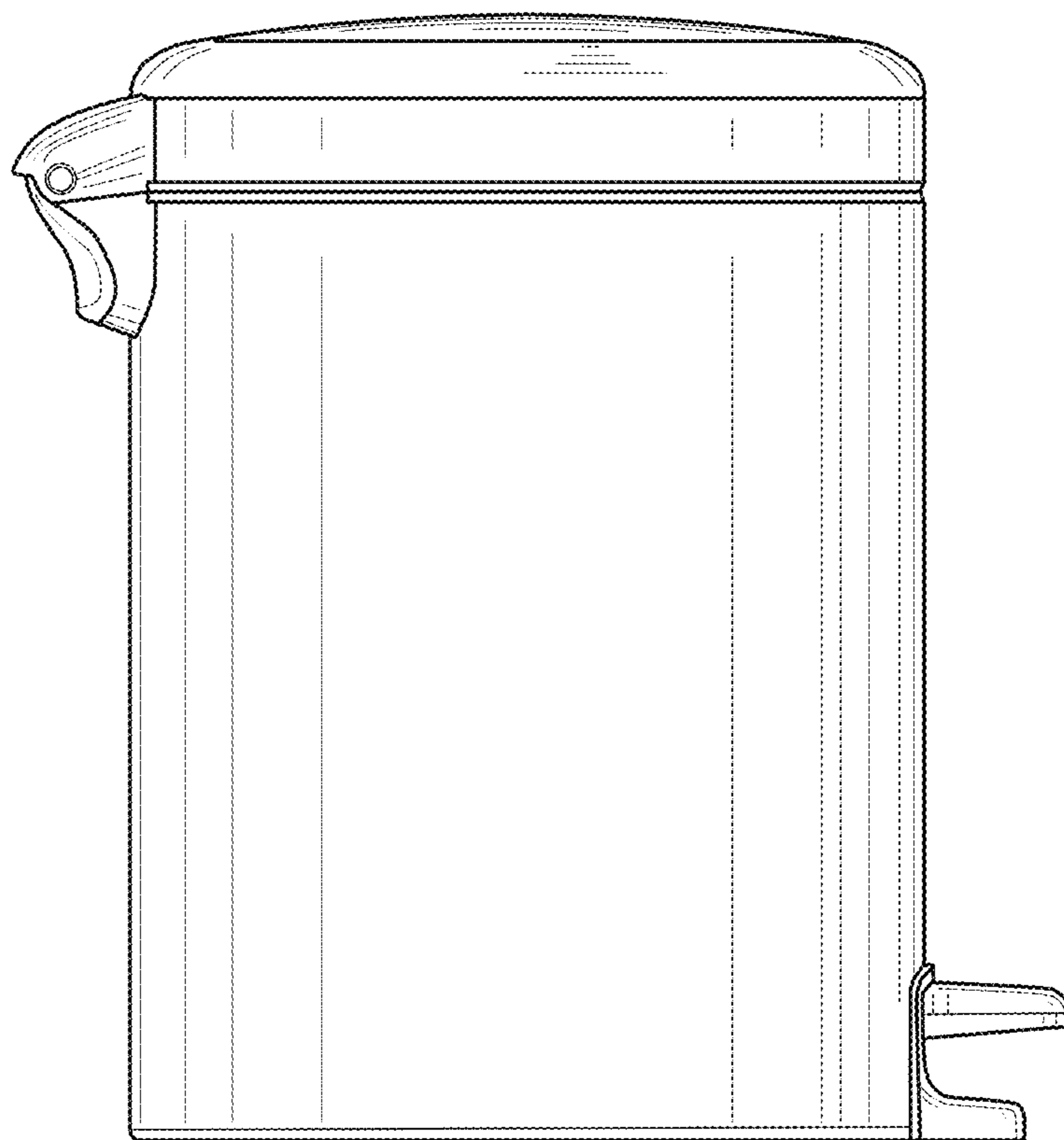


FIG. 11

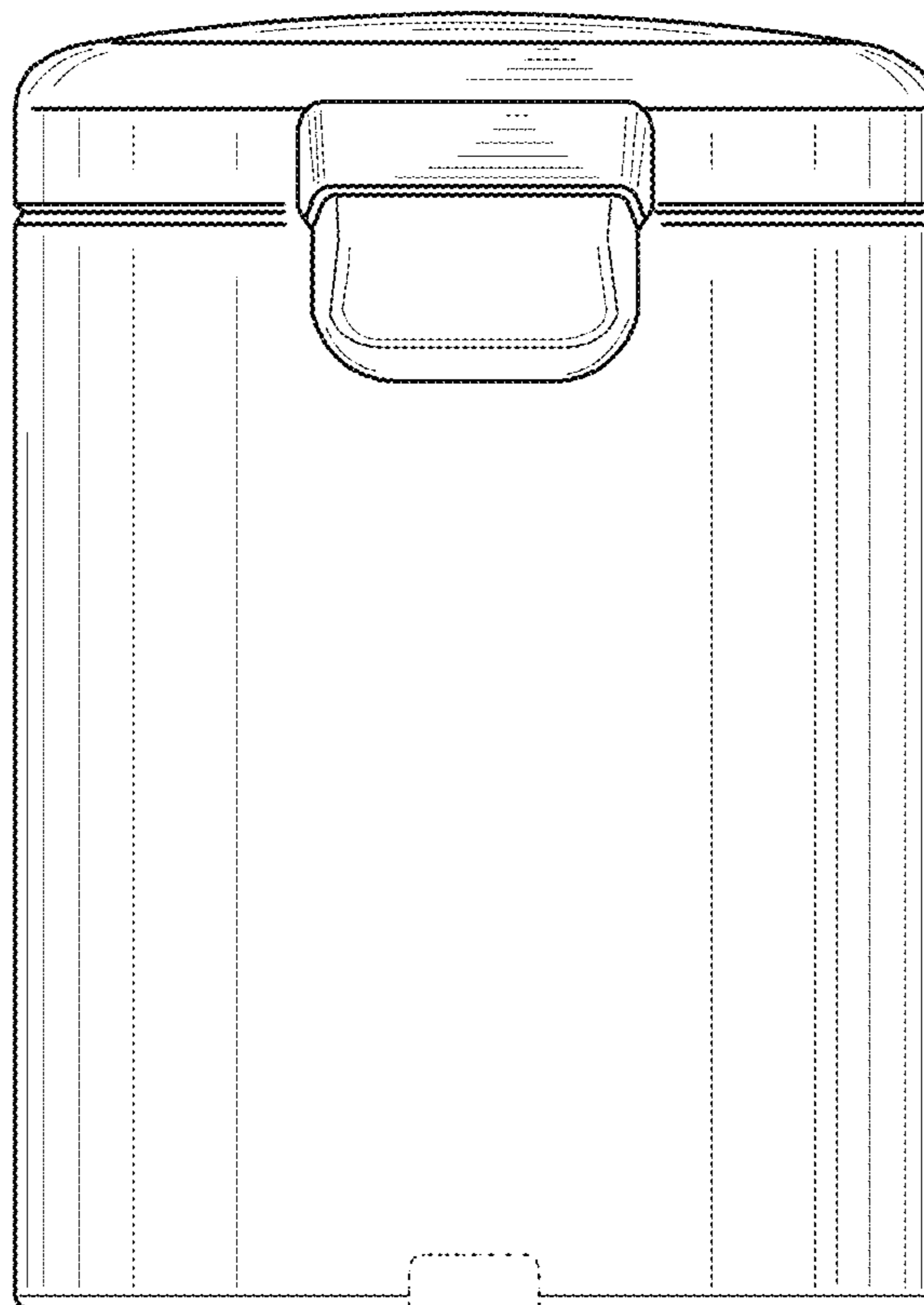


FIG. 12

