



US00D851348S

(12) **United States Design Patent** (10) **Patent No.:** **US D851,348 S**
Boniakowski (45) **Date of Patent:** **** Jun. 11, 2019**

(54) **PAINTER'S HOOK**

(56) **References Cited**

(71) Applicant: **BH Disposition, LLC**, North Branch, NJ (US)

U.S. PATENT DOCUMENTS

(72) Inventor: **Stanley Boniakowski**, Green Brook, NJ (US)

D31,591 S *	10/1899	Fox	D8/373
D33,956 S *	1/1901	Kline et al.	D8/354
D225,509 S *	12/1972	Charlton	D8/363
D300,804 S *	4/1989	Myers	D34/5
D322,388 S *	12/1991	Hoskinson	D8/367
D324,490 S *	3/1992	Ricketts	D8/373
D354,430 S *	1/1995	Lawrence	D8/370

(73) Assignee: **BH Disposition, LLC**, North Branch, NJ (US)

* cited by examiner

(**) Term: **15 Years**

Primary Examiner — Eliza Z Bennett-Hattan

(21) Appl. No.: **29/599,272**

(74) *Attorney, Agent, or Firm* — Lerner, David, Littenberg, Krumholz & Mentlik, LLP

(22) Filed: **Mar. 31, 2017**

(57) **CLAIM**

The ornamental design for a painter's hook, as shown and described.

Related U.S. Application Data

DESCRIPTION

(62) Division of application No. 29/535,305, filed on Aug. 5, 2015, now Pat. No. Des. 788,396.

(51) **LOC (11) Cl.** **07-07**

(52) **U.S. Cl.**
USPC **D32/54**

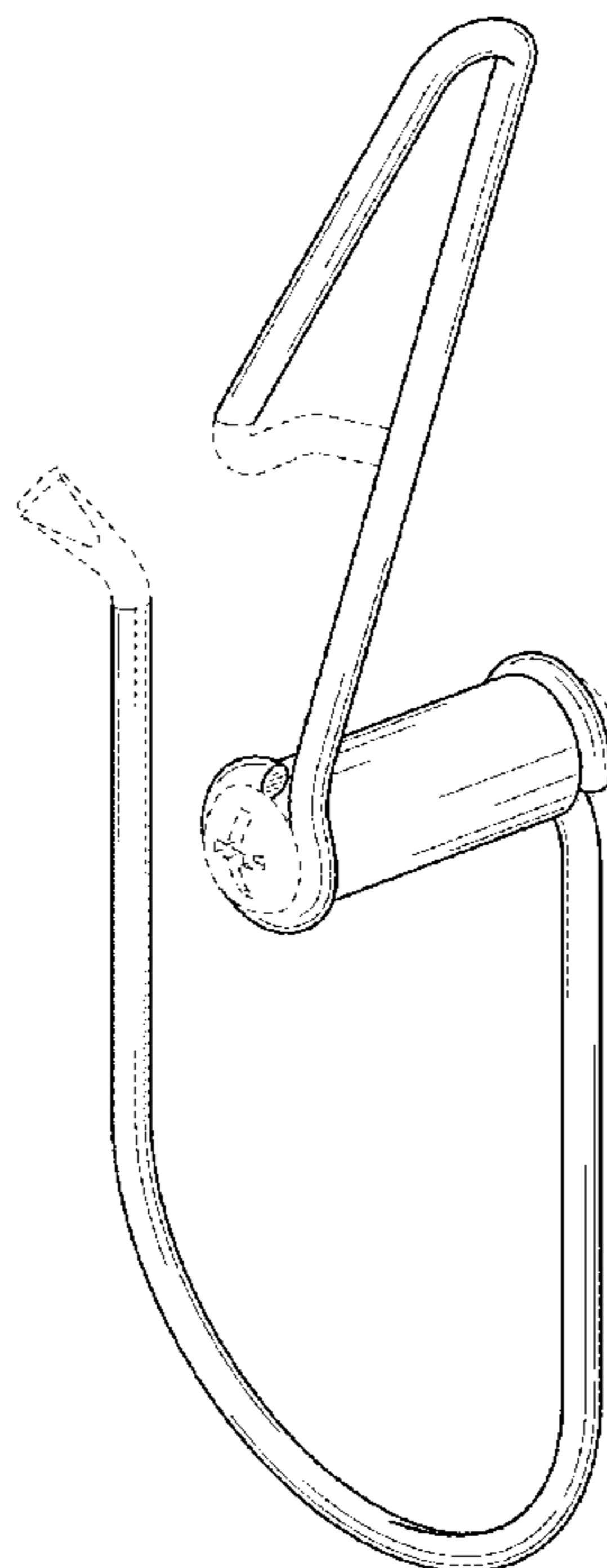
(58) **Field of Classification Search**
USPC D22/199; D29/101.1; D34/33; D8/16, D8/19, 354, 355, 372, 367, 376, 349, 363, D8/370, 371, 382, 373, 44, 18; D6/323, D6/550; D32/53, 54; D24/128, 184; D14/376, 452
CPC E06C 7/146; E06C 7/14; B44D 3/123; B44D 3/14; F16B 45/00; A46B 17/00

FIG. 1 is a perspective view of a painter's hook, showing my new design;
FIG. 2 is a right side elevational view thereof;
FIG. 3 is a left side elevational view thereof;
FIG. 4 is a back side elevational view thereof;
FIG. 5 is a front side elevational view thereof;
FIG. 6 is a top plan view thereof; and,
FIG. 7 is a bottom plan view thereof.

The broken lines shown in the drawings represent portions of the painter's hook that form no part of the claimed design. The dot-dash line(s) which define the bounds of the claimed design form no part thereof.

See application file for complete search history.

1 Claim, 5 Drawing Sheets



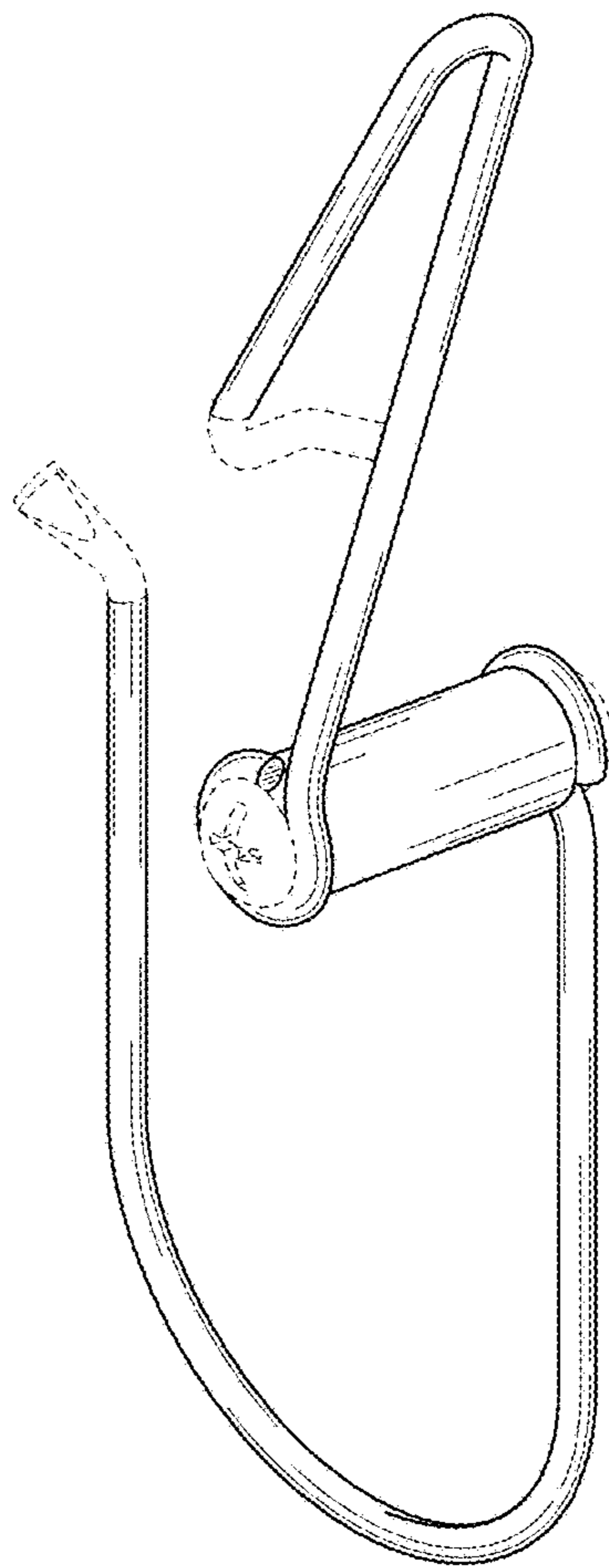


FIG. 1

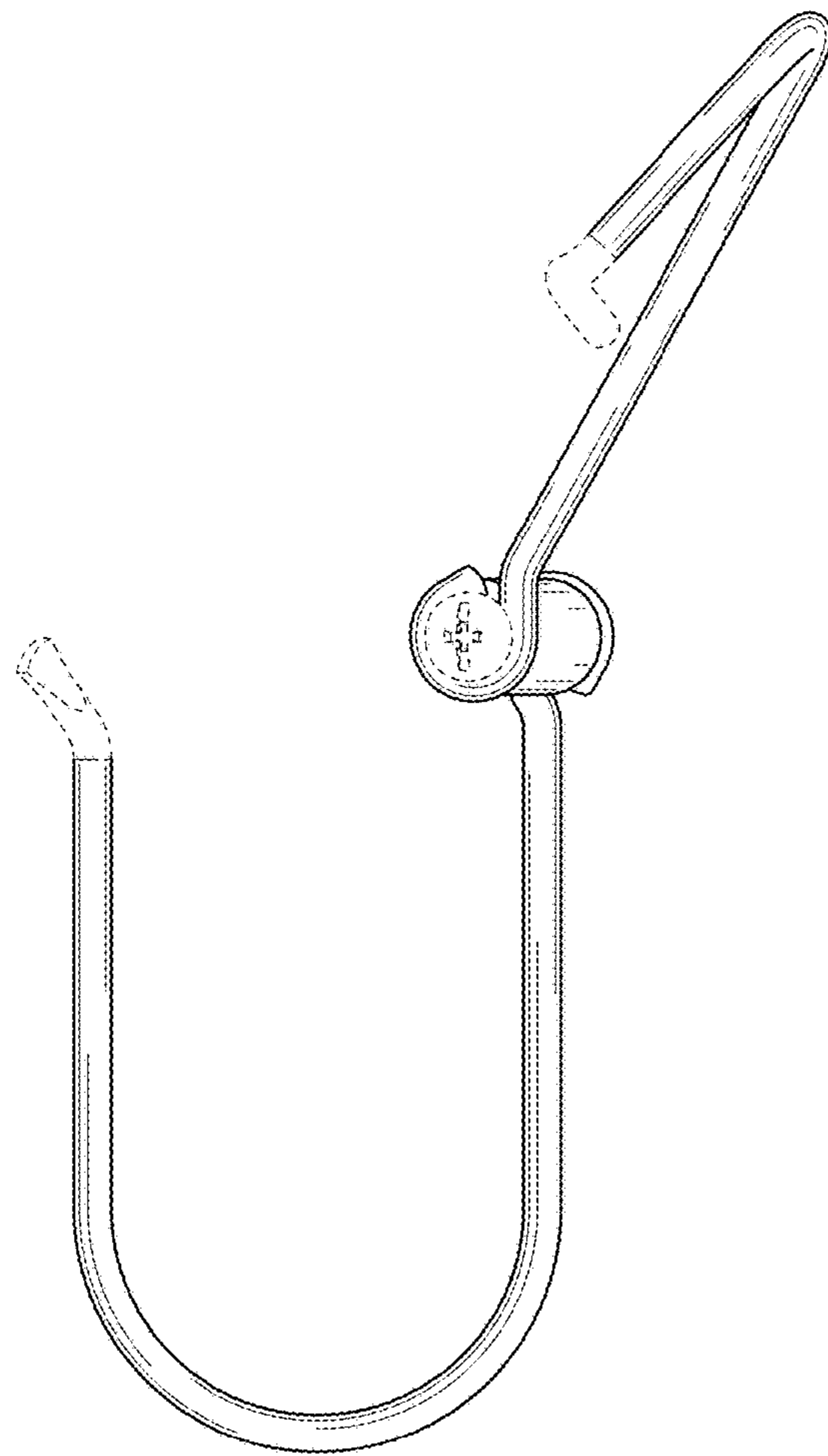


FIG. 2

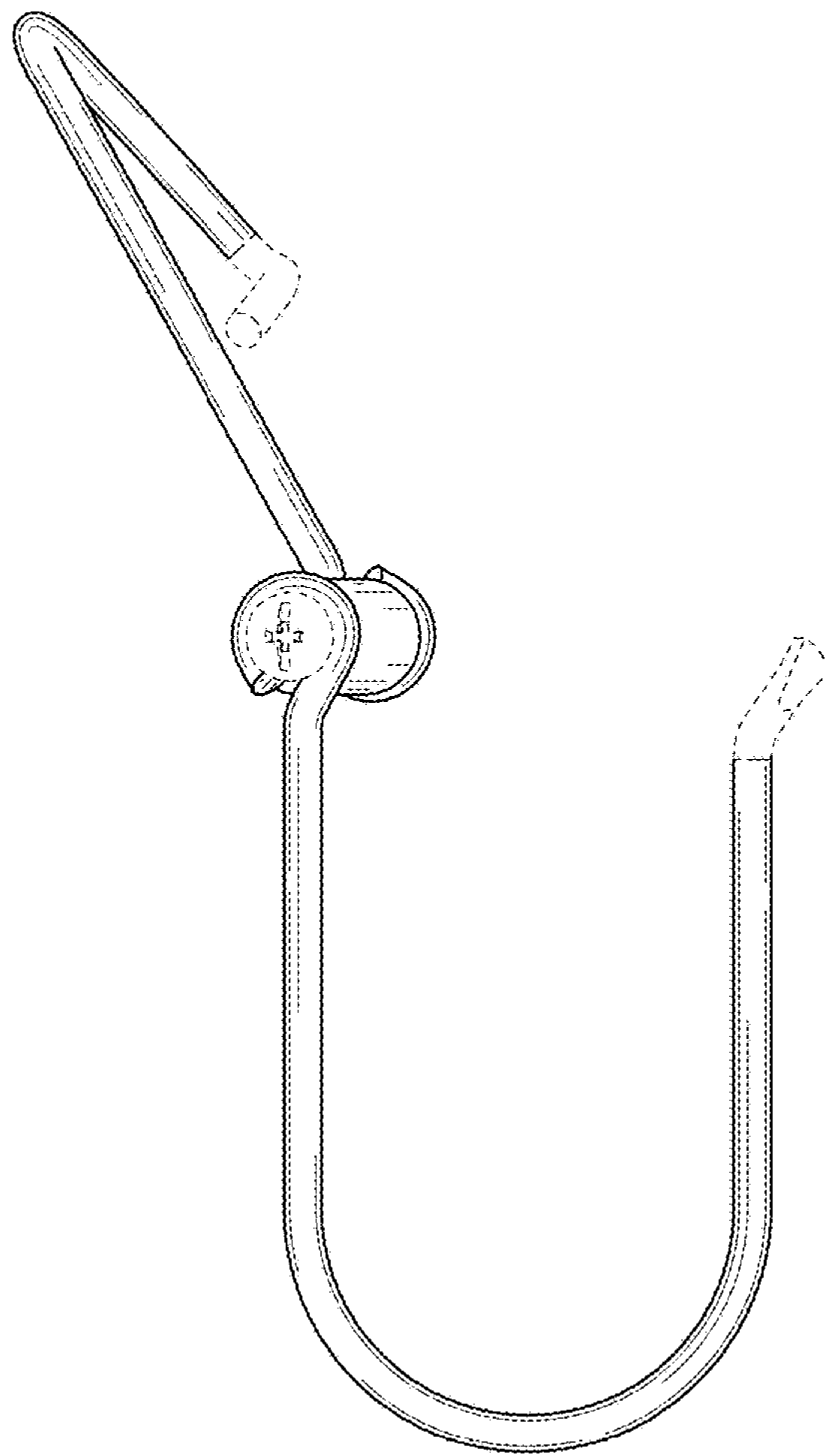


FIG. 3

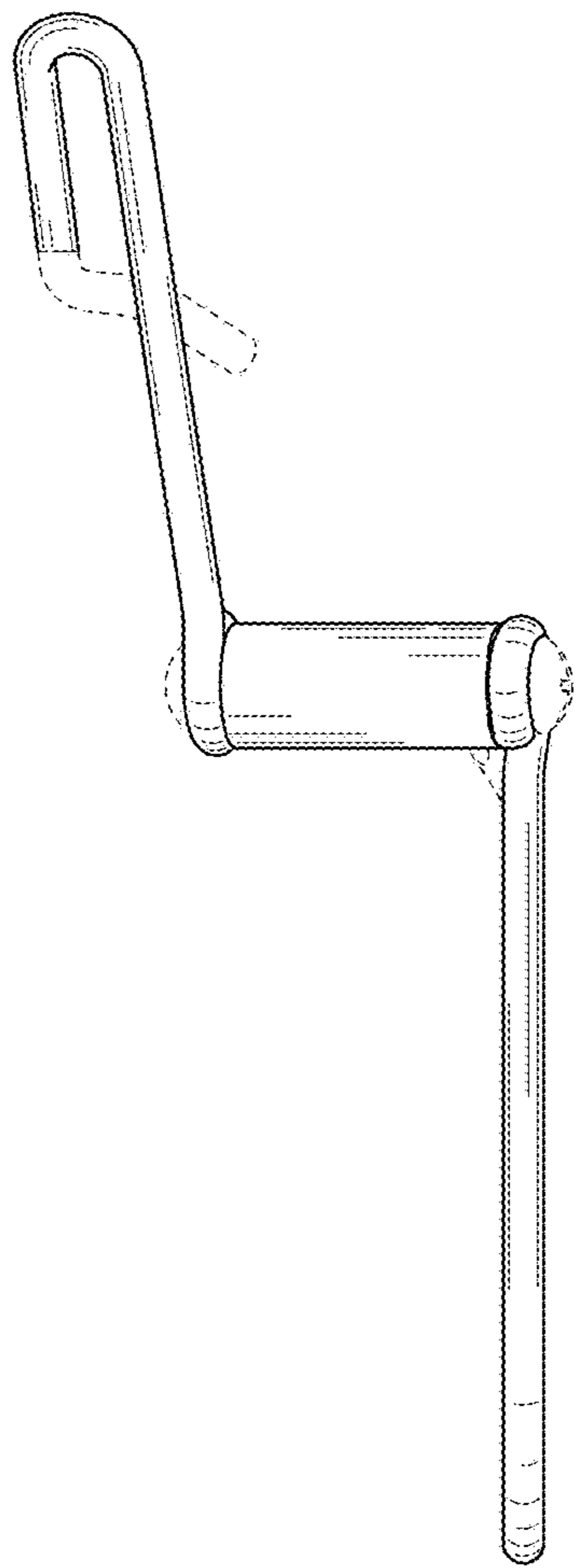


FIG. 4

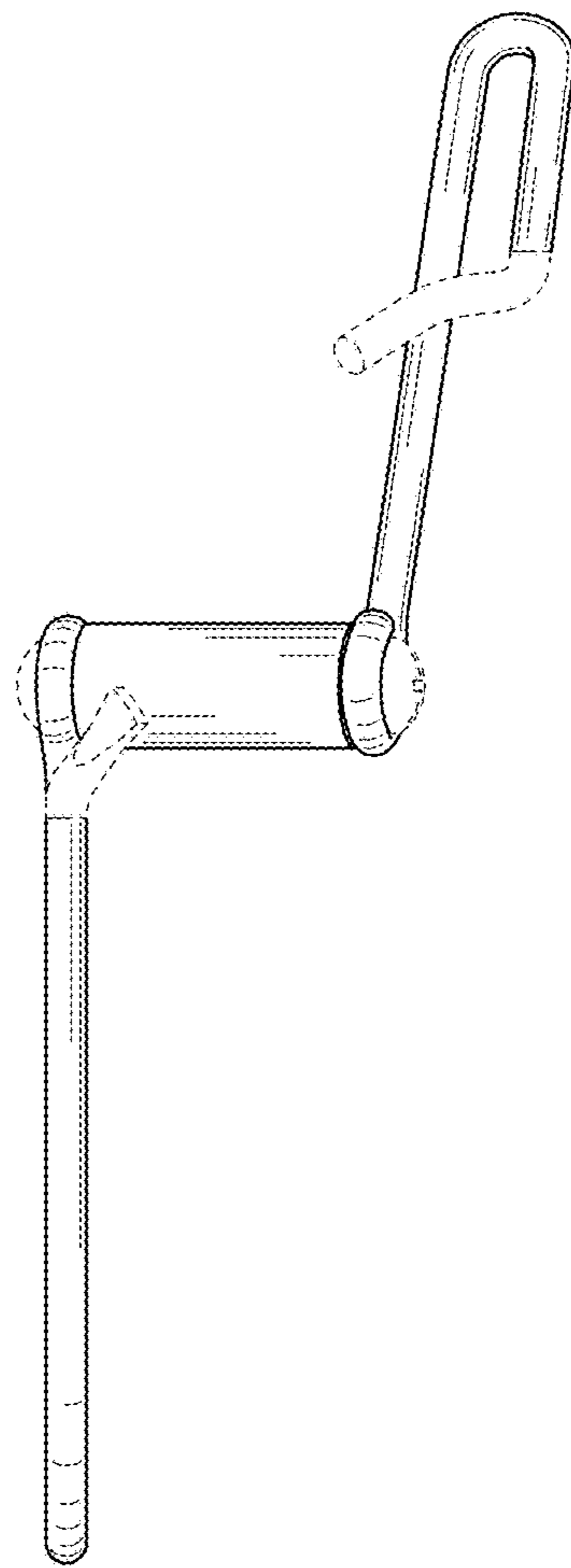


FIG. 5

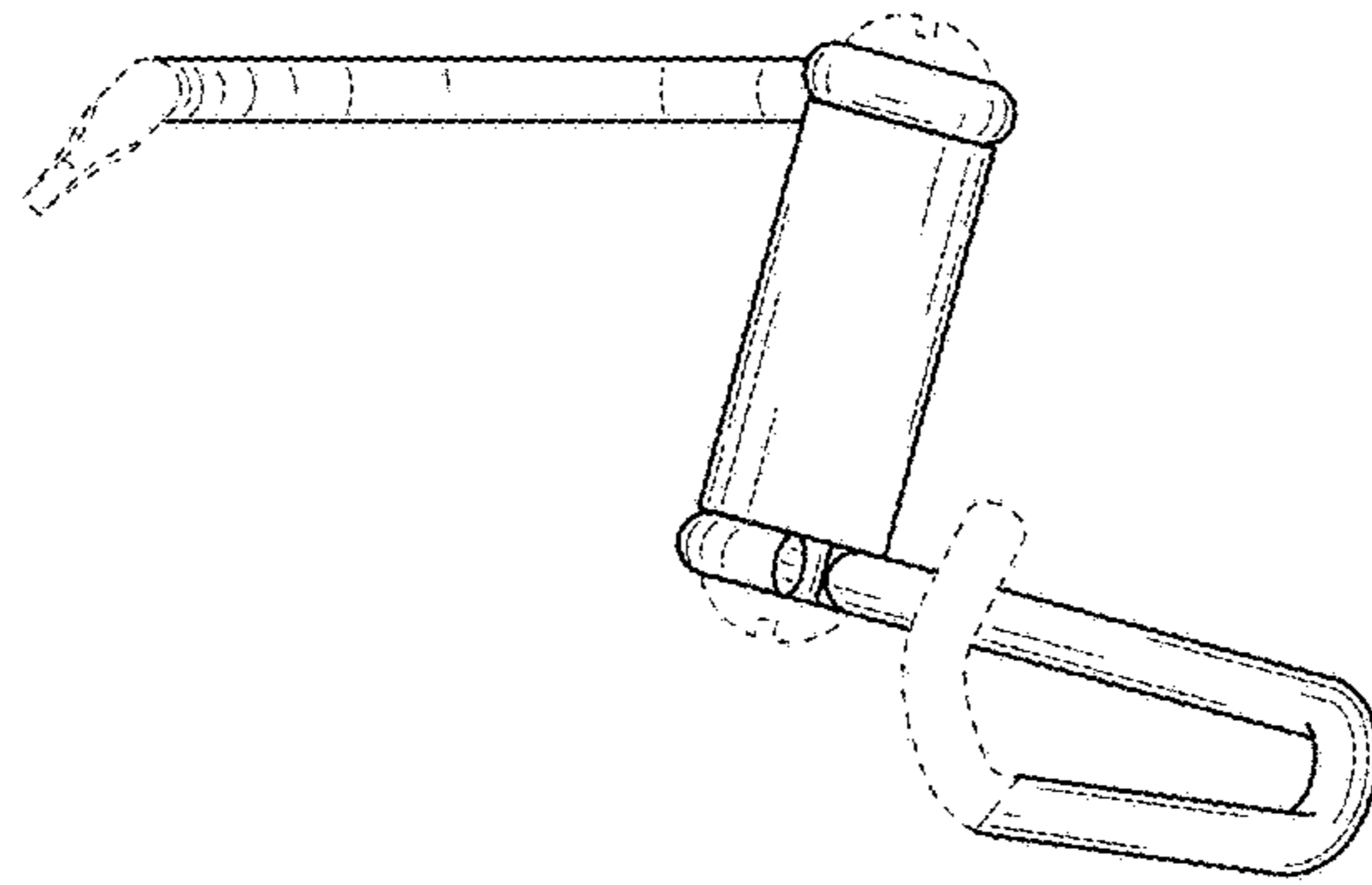


FIG. 6

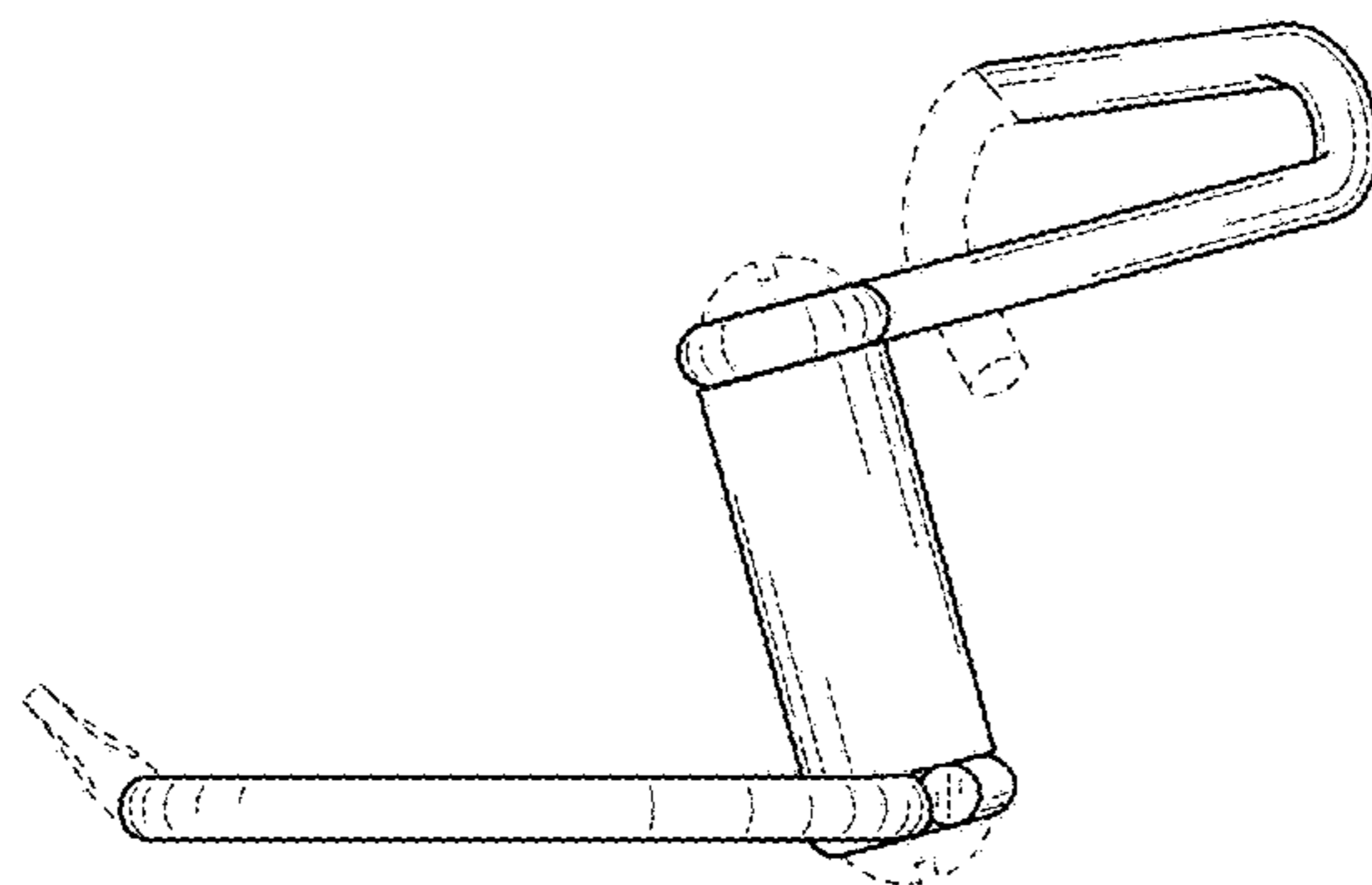


FIG. 7