



US00D851347S

(12) **United States Design Patent** (10) **Patent No.:** **US D851,347 S**  
**Sunila et al.** (45) **Date of Patent:** **\*\* Jun. 11, 2019**

(54) **BROOM**  
(71) Applicant: **Fiskars Finland Oy Ab**, Helsinki (FI)  
(72) Inventors: **Timo Sunila**, Helsinki (FI); **Sami Lyytikäinen**, Helsinki (FI); **Petteri Masalin**, Helsinki (FI)  
(73) Assignee: **Fiskars Finland Oy Ab**, Helsinki (FI)

3,828,386 A \* 8/1974 Roth ..... A47L 13/12  
15/105  
D289,338 S \* 4/1987 Sartori ..... D32/50  
D299,289 S \* 1/1989 Machacek ..... D32/50  
D308,741 S \* 6/1990 Tsukamoto ..... D32/51  
5,419,007 A \* 5/1995 Hult ..... A47L 9/06  
15/245  
D377,122 S \* 1/1997 Lofton ..... D4/132  
(Continued)

(\*\*) Term: **15 Years**  
(21) Appl. No.: **29/617,956**

**FOREIGN PATENT DOCUMENTS**

CA 160342 \* 1/2013  
EM 000679808-0003 \* 4/2007  
GB 4036753 \* 8/2014

(22) Filed: **Sep. 18, 2017**

**OTHER PUBLICATIONS**

Fiskars All Purpose Yard Broom, review date Jun. 15, 2016, site visited Aug. 4, 2018, [https://www.amazon.co.uk/dp/B0794L8K33/ref=psdc\\_4224810031\\_t2\\_B0794JD5CK](https://www.amazon.co.uk/dp/B0794L8K33/ref=psdc_4224810031_t2_B0794JD5CK).\*

(30) **Foreign Application Priority Data**  
Mar. 21, 2017 (EM) ..... 003814540  
(51) **LOC (11) Cl.** ..... **07-05**  
(52) **U.S. Cl.**  
USPC ..... **D32/50**  
(58) **Field of Classification Search**  
USPC .. D32/50-53, 40, 45, 17-18, 21-22, 24-25;  
D4/130-132, 134-135, 138, 199  
CPC ..... A47L 13/52; A47L 13/12; A47L 13/00;  
A47L 13/20; A47L 13/24; A47L 13/22;  
A46B 7/04; A46B 7/06; A46B 5/00;  
B43M 11/02  
See application file for complete search history.

(Continued)

*Primary Examiner* — John Windmuller  
*Assistant Examiner* — John R Yeh  
(74) *Attorney, Agent, or Firm* — Leason Ellis LLP

(57) **CLAIM**

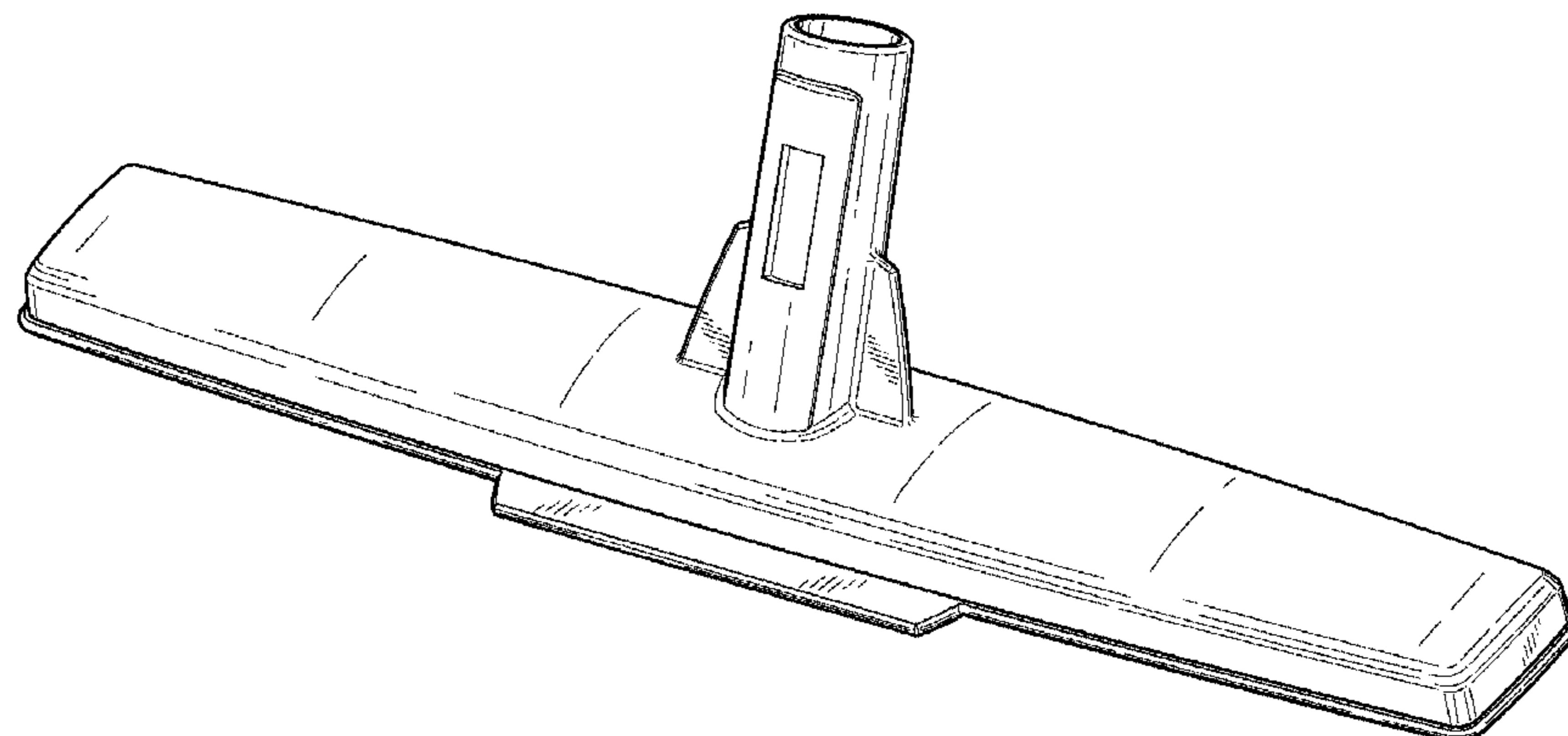
We claim the ornamental design for a broom, as shown and described.

**DESCRIPTION**

FIG. 1 is a front perspective view of the claimed design;  
FIG. 2 is front view thereof;  
FIG. 3 is a rear view thereof;  
FIG. 4 is a left side view thereof;  
FIG. 5 is a right side view thereof;  
FIG. 6 is a top view thereof; and,  
FIG. 7 is a bottom view thereof.  
The broken lines in the figures represent features of the broom that form no part of the claimed design.

(56) **References Cited**  
**U.S. PATENT DOCUMENTS**  
1,555,630 A \* 9/1925 Brock ..... A46B 5/002  
15/106  
1,564,526 A \* 12/1925 Callais ..... A46B 9/06  
15/159.1  
2,429,753 A \* 10/1947 Grosch ..... B25G 3/04  
403/4  
3,034,165 A \* 5/1962 Christian ..... A47L 13/44  
15/114  
D206,571 S \* 1/1967 Herman et al. .... D32/50

**1 Claim, 4 Drawing Sheets**



(56)

**References Cited**

## U.S. PATENT DOCUMENTS

D380,303 S \* 7/1997 Wolfenden ..... D32/50  
D386,907 S \* 12/1997 Rittenbaum ..... D32/50  
D415,616 S \* 10/1999 Camp, Jr. .... D4/199  
D480,564 S \* 10/2003 Petner ..... D4/199  
6,694,560 B2 \* 2/2004 Young ..... A47L 13/24  
15/147.1  
D499,556 S \* 12/2004 Hay ..... D4/199  
D509,661 S \* 9/2005 Berti ..... D4/199  
D511,046 S \* 11/2005 Berti ..... D32/50  
D563,107 S \* 3/2008 Folden ..... D4/116  
D597,719 S \* 8/2009 McNeil ..... D32/51  
7,650,661 B2 \* 1/2010 Young ..... A47L 13/11  
15/118  
D664,772 S \* 8/2012 Rossano ..... D4/132  
D693,078 S \* 11/2013 Nordvik ..... D32/50  
D693,079 S \* 11/2013 Nordvik ..... D32/50  
D697,280 S \* 1/2014 Casini ..... D32/50  
D728,871 S 5/2015 Masalin et al.  
D747,884 S \* 1/2016 Chalifoux ..... D4/132  
9,375,076 B2 \* 6/2016 Weis ..... A46B 7/04  
D804,122 S \* 11/2017 Larouche ..... D32/50

## OTHER PUBLICATIONS

Fiskars Garden Broom Head, Black, Amazon.co.uk, review date Jul. 31, 2017, <https://www.amazon.co.uk/Fiskars-Garden-Broom-Black-1025930/dp/B0794JD5CK>, site visited Aug. 4, 2018.\*

\* cited by examiner

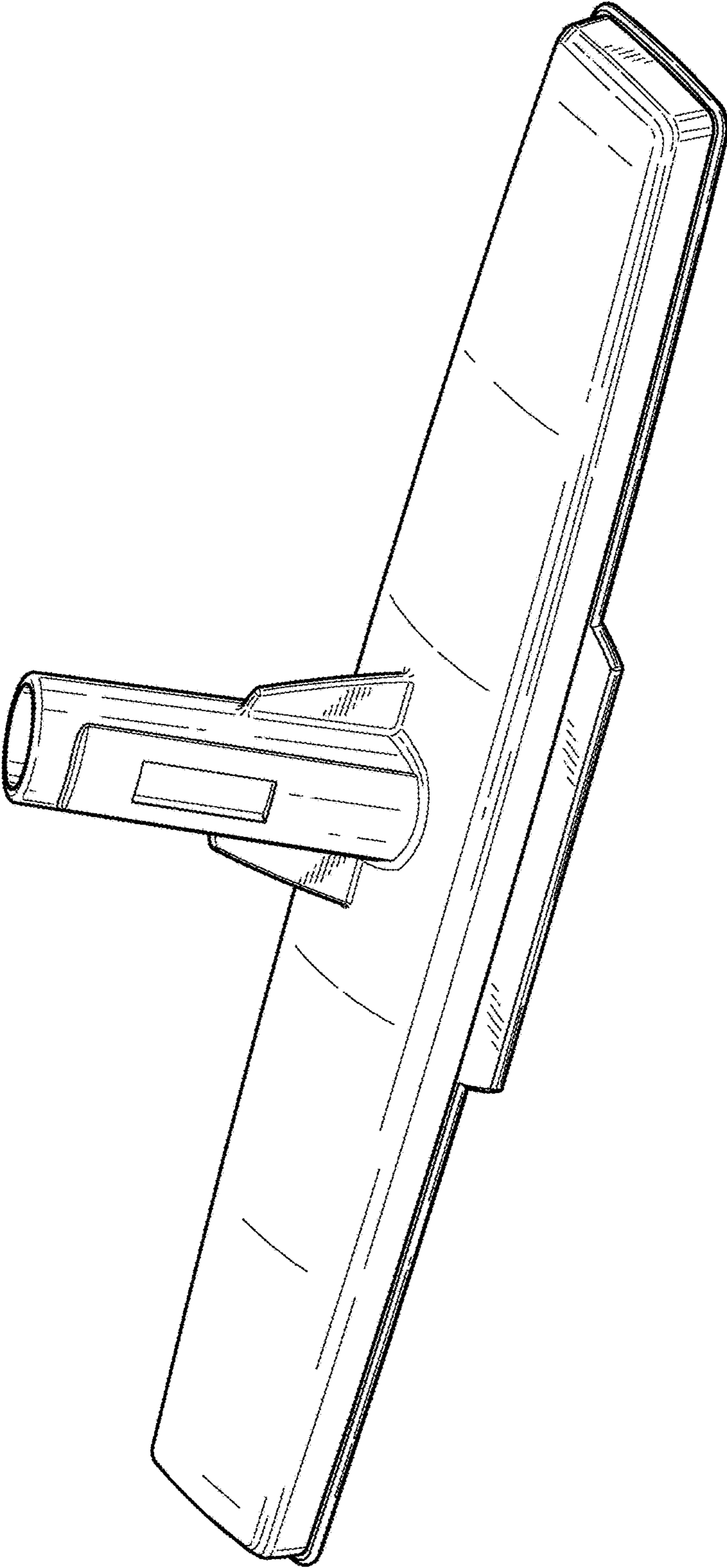


FIG. 1

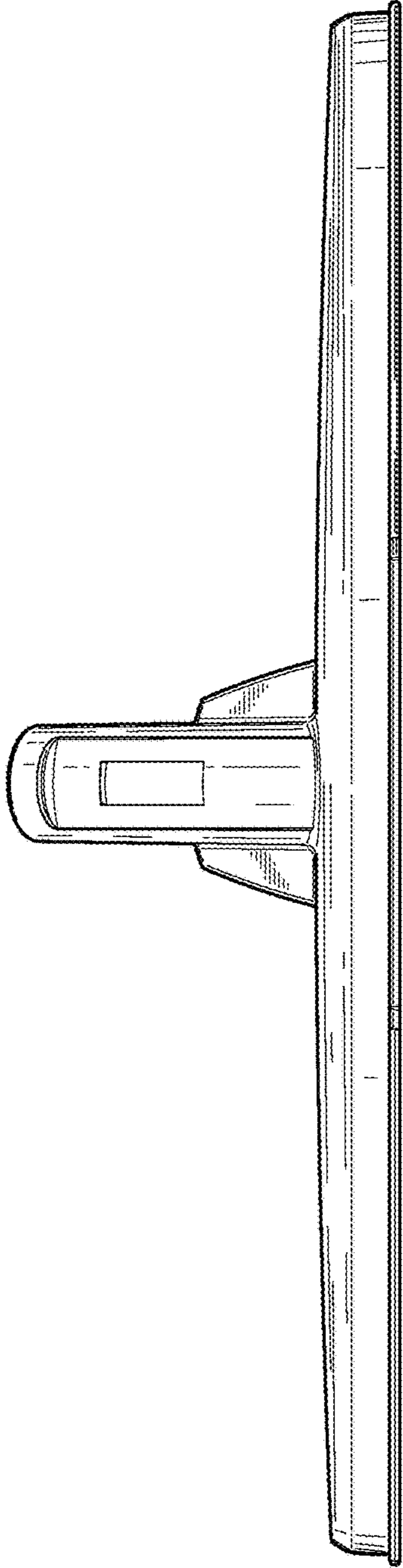


FIG. 2

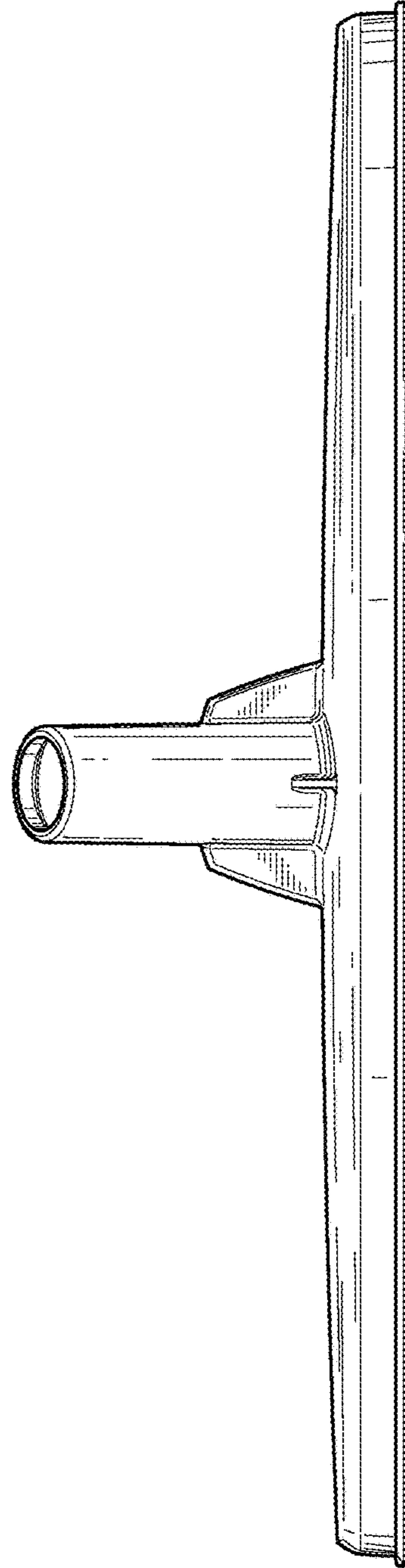


FIG. 3

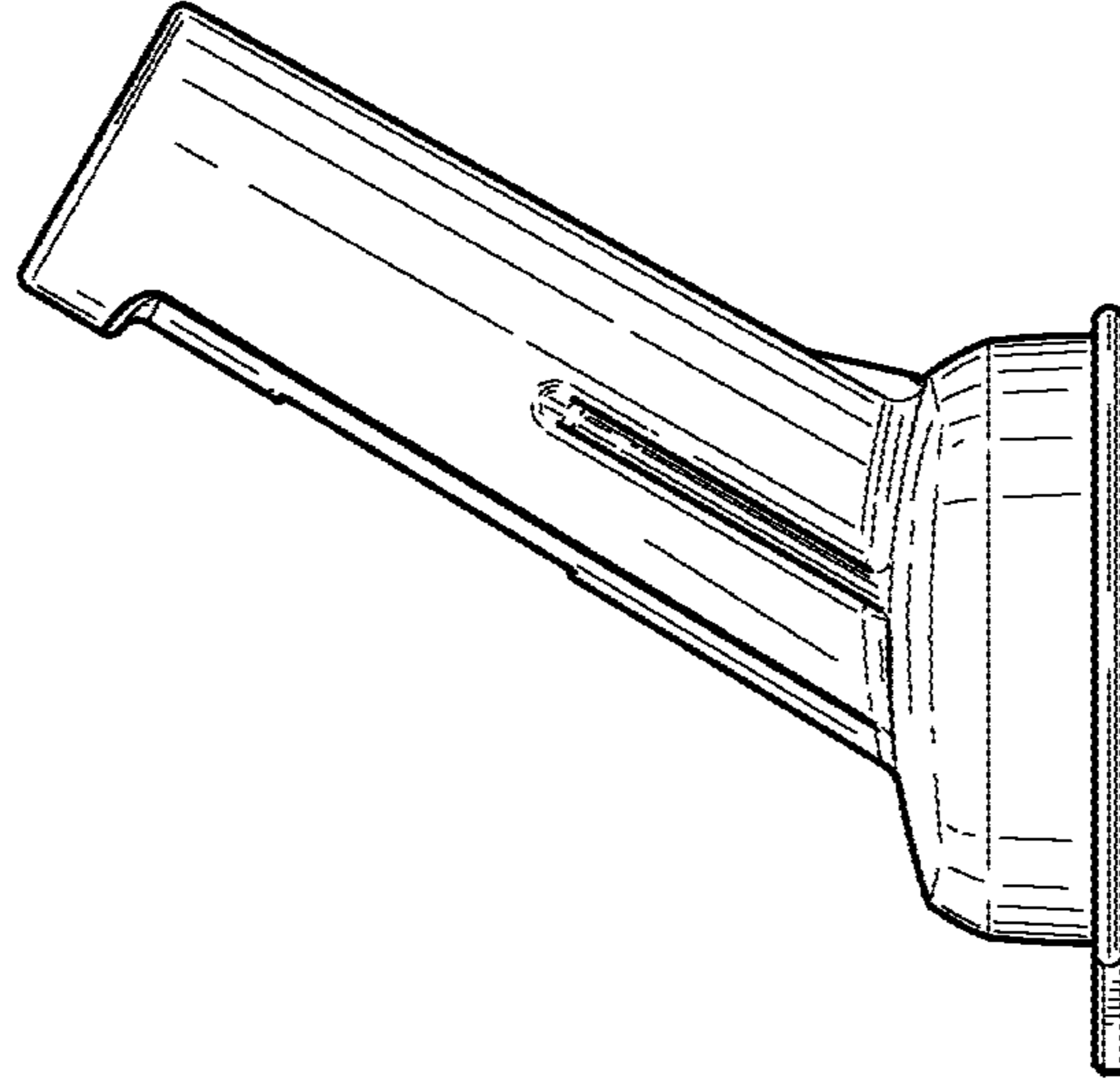


FIG. 5

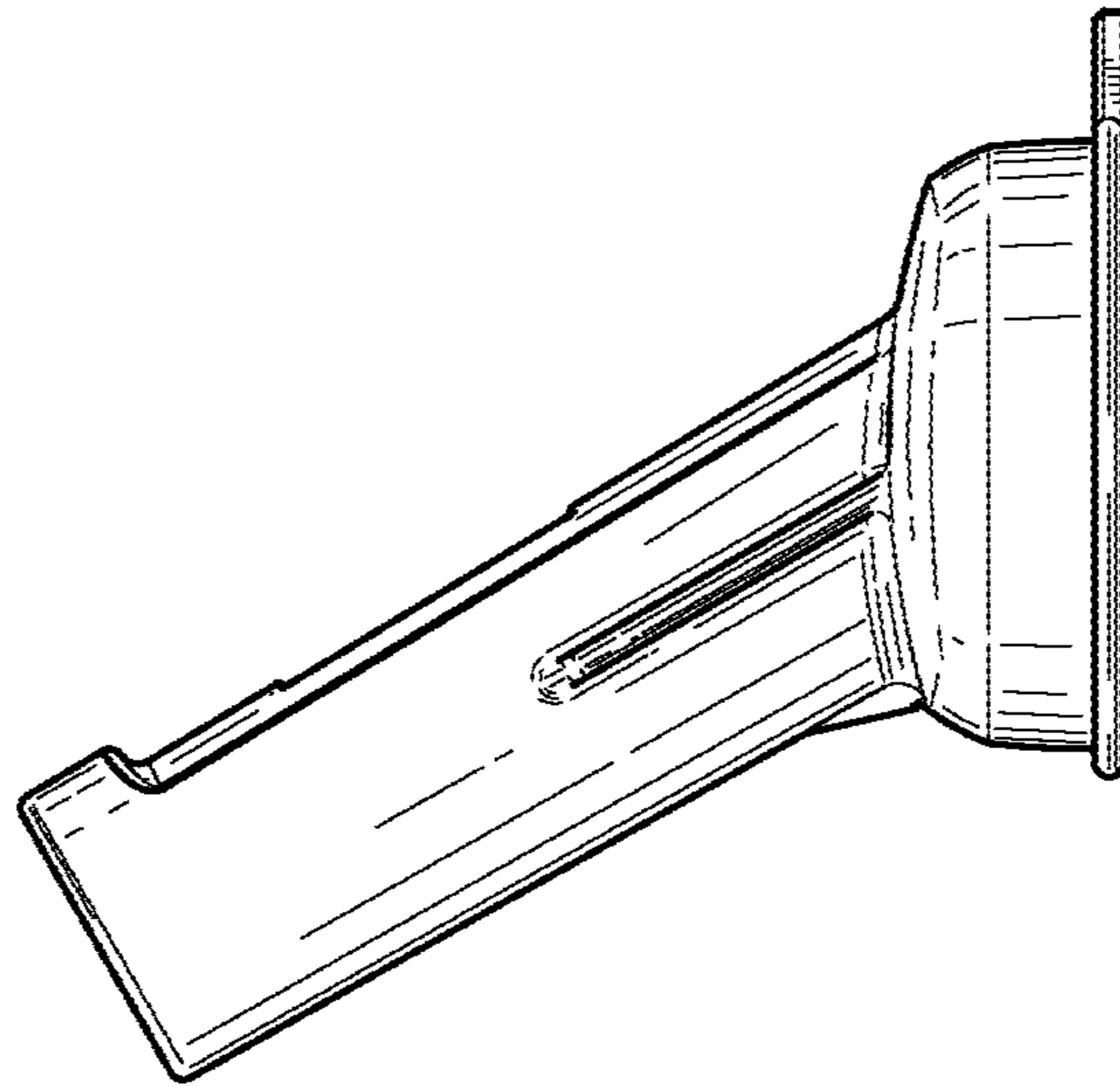


FIG. 4

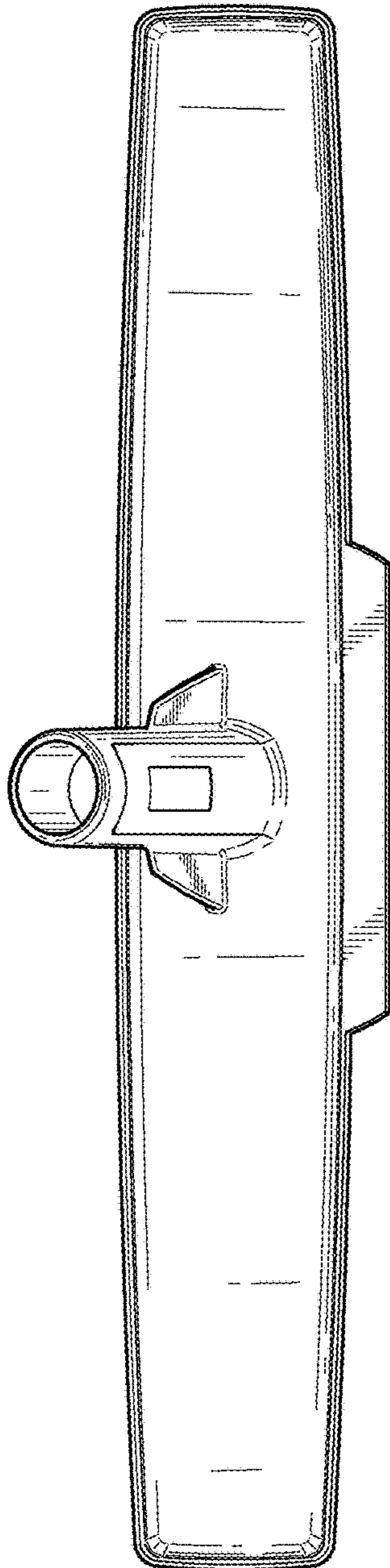


FIG. 6

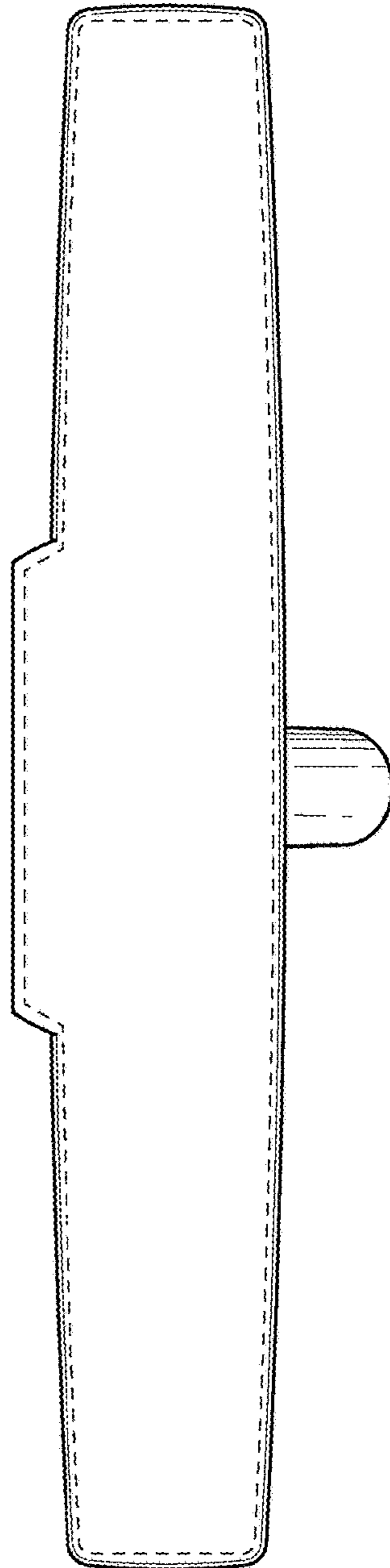


FIG. 7