



US00D851346S

(12) **United States Design Patent**
Kamody et al.

(10) **Patent No.:** **US D851,346 S**
(45) **Date of Patent:** **** Jun. 11, 2019**

(54) **COMBINATION CLEANING PAD AND SQUEEGEE**

(71) Applicants: **Dennis Kamody**, Pittsburgh, PA (US);
Candice Kamody-Welsh, Pittsburgh, PA (US)

(72) Inventors: **Dennis Kamody**, Pittsburgh, PA (US);
Candice Kamody-Welsh, Pittsburgh, PA (US)

(**) Term: **15 Years**

(21) Appl. No.: **29/631,082**

(22) Filed: **Dec. 27, 2017**

(51) **LOC (11) Cl.** **07-05**

(52) **U.S. Cl.**
USPC **D32/40; D32/46**

(58) **Field of Classification Search**
USPC D32/40-43, 46-47; D8/101, 107, 45
CPC ... A47L 1/06; A47L 1/00; A47L 13/20; A47L 13/254; A47L 13/11; A47L 13/10; A47L 13/16; A47L 13/12; G03D 15/02; F16K 1/22; B60S 1/38; A47K 7/03; B41F 15/40; B41F 15/42; B41F 15/14; B41F 15/44

See application file for complete search history.

(56) **References Cited**

U.S. PATENT DOCUMENTS

| | | | | | |
|-----------|-----|---------|---------|-------|------------------------|
| 1,509,807 | A * | 9/1924 | Gray | | E04F 21/06 15/235.4 |
| 1,761,109 | A * | 6/1930 | Dietz | | E04F 21/06 15/235.4 |
| 2,307,892 | A * | 1/1943 | Lowther | | B44C 7/08 33/382 |
| 2,952,028 | A * | 9/1960 | Robbins | | E04F 21/06 15/235.4 |
| 3,010,133 | A * | 11/1961 | Hurd | | E04F 21/06 15/235.4 |

| | | | | | |
|-----------|-----|--------|-----------|-------|------------------------|
| 3,140,500 | A * | 7/1964 | Pilla | | E04F 21/06 15/235.4 |
| 4,351,525 | A * | 9/1982 | Rozenblad | | A63B 23/12 482/141 |
| D278,790 | S * | 5/1985 | Chaney | | D8/14 |
| D310,012 | S * | 8/1990 | Henke | | D8/45 |

(Continued)

FOREIGN PATENT DOCUMENTS

| | | | |
|----|-----------|---|--------|
| CN | 302358638 | * | 3/2013 |
| CN | 303316094 | * | 8/2015 |
| CN | 304149399 | * | 5/2017 |

OTHER PUBLICATIONS

Remco Vikan Handheld Cleaning Pad Holder, website 2018, <http://remcoproducts.com/products/catalog/Pad>, site visited Sep. 16, 2018 (Year: 2018).*

(Continued)

Primary Examiner — John Windmuller

Assistant Examiner — John R Yeh

(74) *Attorney, Agent, or Firm* — Gary P. Topolosky

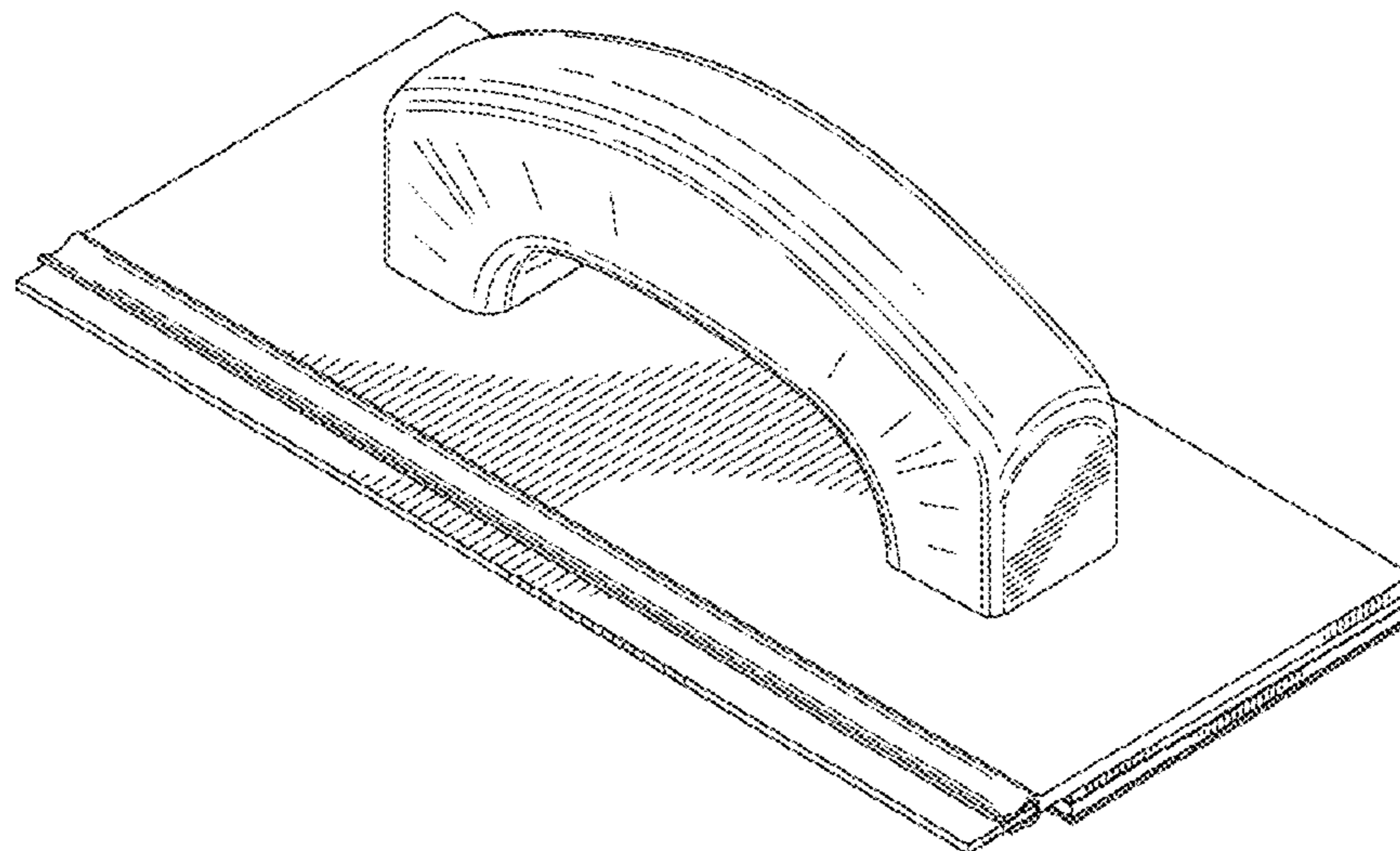
(57) **CLAIM**

The ornamental design for a combination cleaning pad and squeegee, as shown and described.

DESCRIPTION

FIG. 1 is an upper, right side perspective view of our design for a combination cleaning pad and squeegee; FIG. 2 is a right side plan view of the device from FIG. 1; FIG. 3 is a left plan view of the same device, or opposite view from that shown in FIG. 2; FIG. 4 is a front plan view of the same device from FIG. 1; FIG. 5 is a rear plan view of the same device, or opposite view from that shown in FIG. 4; FIG. 6 is a top plan view of the same device; and, FIG. 7 is a bottom plan view of the same device, or opposite view of FIG. 6 above.

1 Claim, 5 Drawing Sheets



(56)

References Cited

U.S. PATENT DOCUMENTS

D373,715 S * 9/1996 Fink D8/45
D392,079 S * 3/1998 Omerza D32/40
D402,474 S * 12/1998 Danielson D4/137
D426,134 S * 6/2000 Pytlewski D8/107
D453,672 S * 2/2002 McCoy D8/45
6,493,899 B1 * 12/2002 Hintz B44D 3/06
15/147.1
6,505,408 B1 * 1/2003 Talamantez G01C 9/26
15/235.4
D474,389 S * 5/2003 Panfili D8/45
6,640,378 B2 * 11/2003 Hsu B25G 1/102
15/143.1
D504,601 S * 5/2005 Jimenez D8/45
D525,508 S * 7/2006 Leonard, II D8/90
D668,124 S * 10/2012 Lewis D8/45
D680,401 S * 4/2013 Renfro D8/71
D811,849 S * 3/2018 Chou D8/107

OTHER PUBLICATIONS

Unger PHD20 8" Handheld Aluminum Pad Holder, Webstaurant website 2018, <https://www.webstaurantstore.com/unger-phd20-8-handheld-aluminum-pad-holder/905PH> . . . site visited Sep. 16, 2018 (Year: 2018).*

* cited by examiner

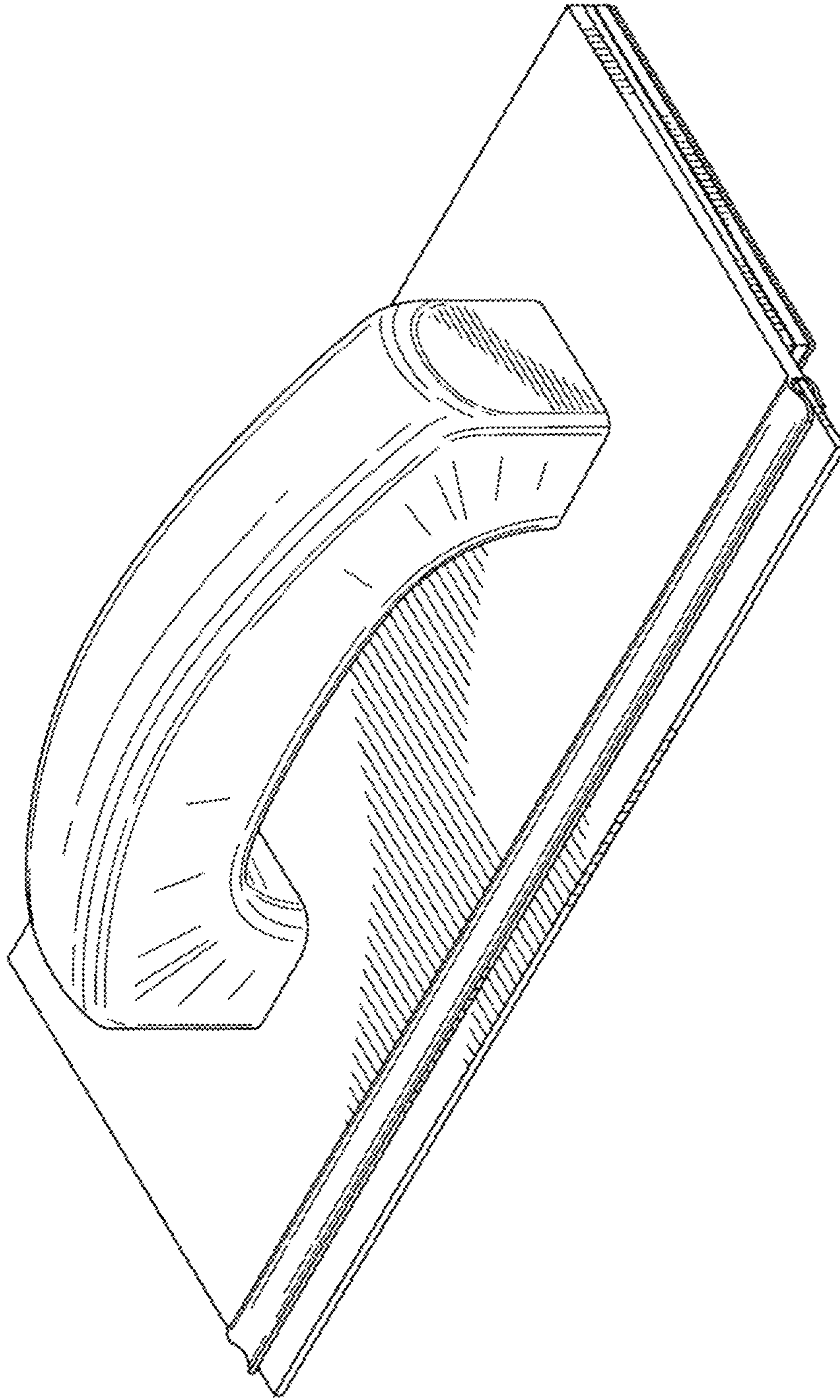


FIG. 1

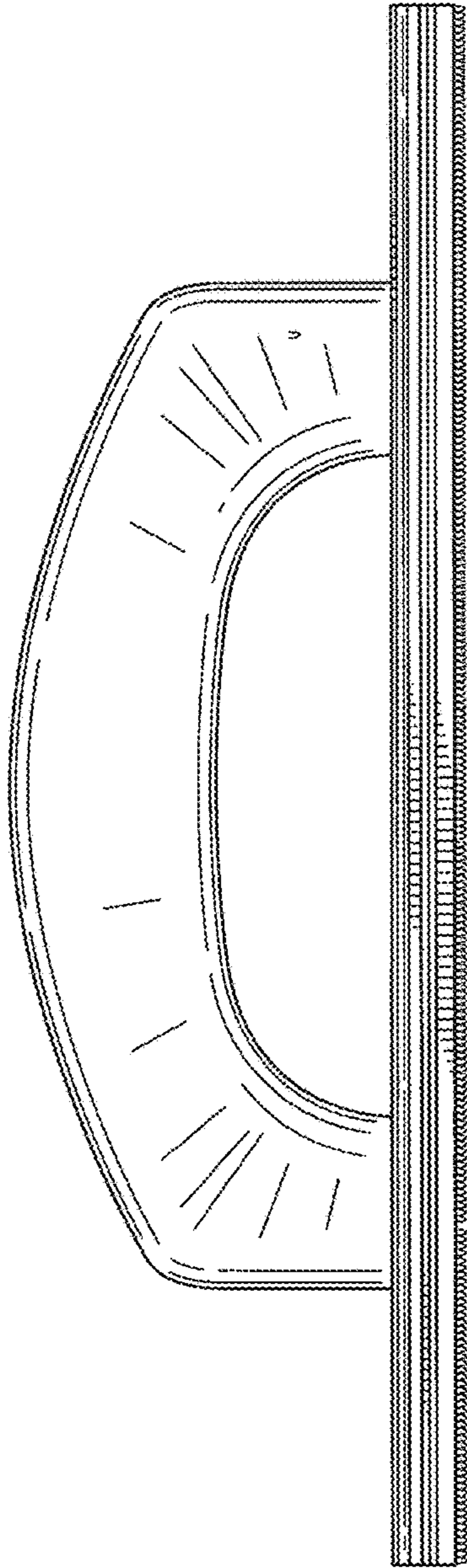


FIG. 2

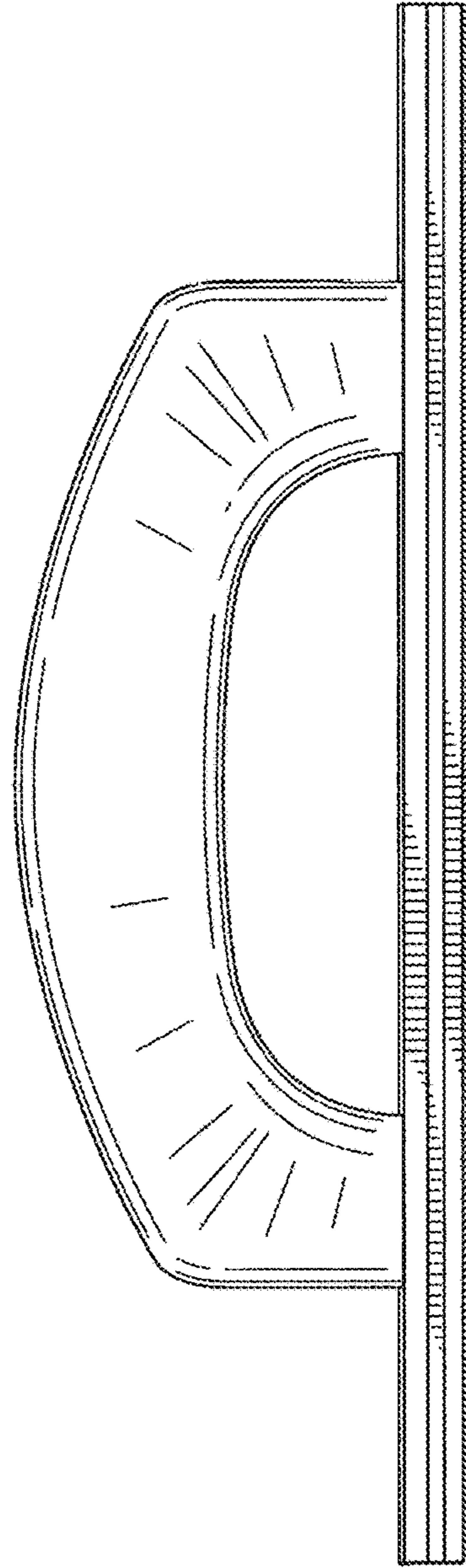


FIG. 3

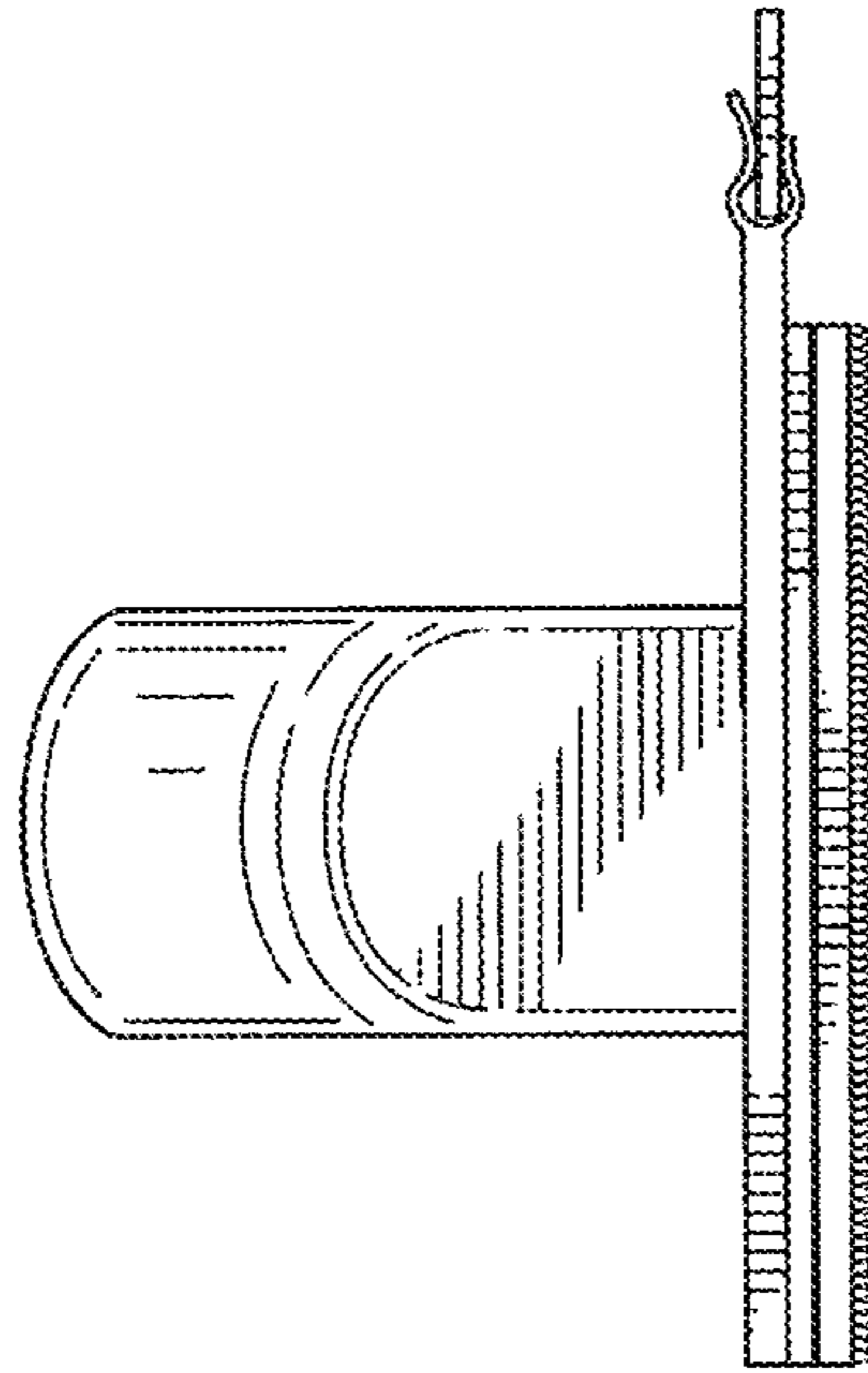


FIG. 5

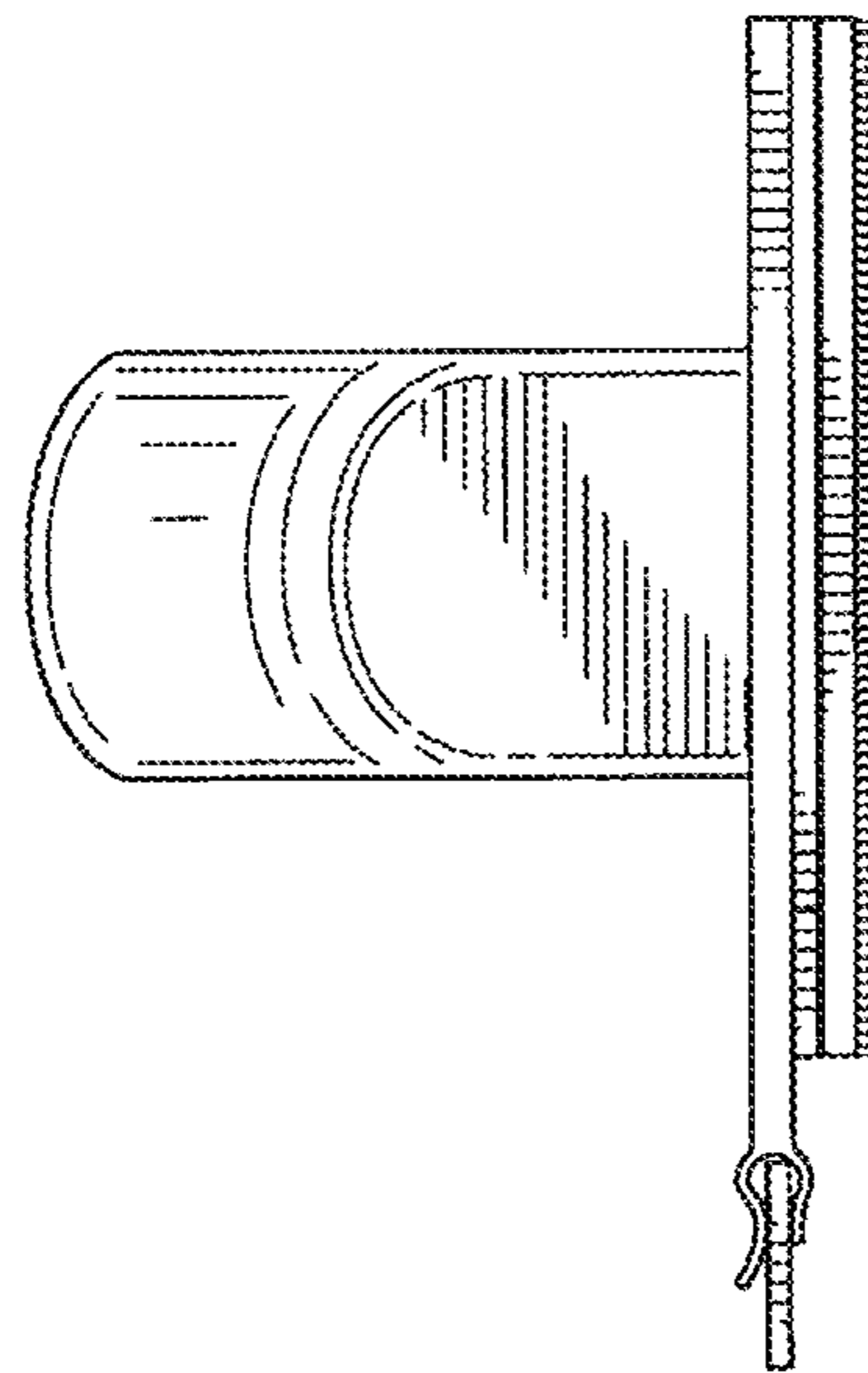


FIG. 4

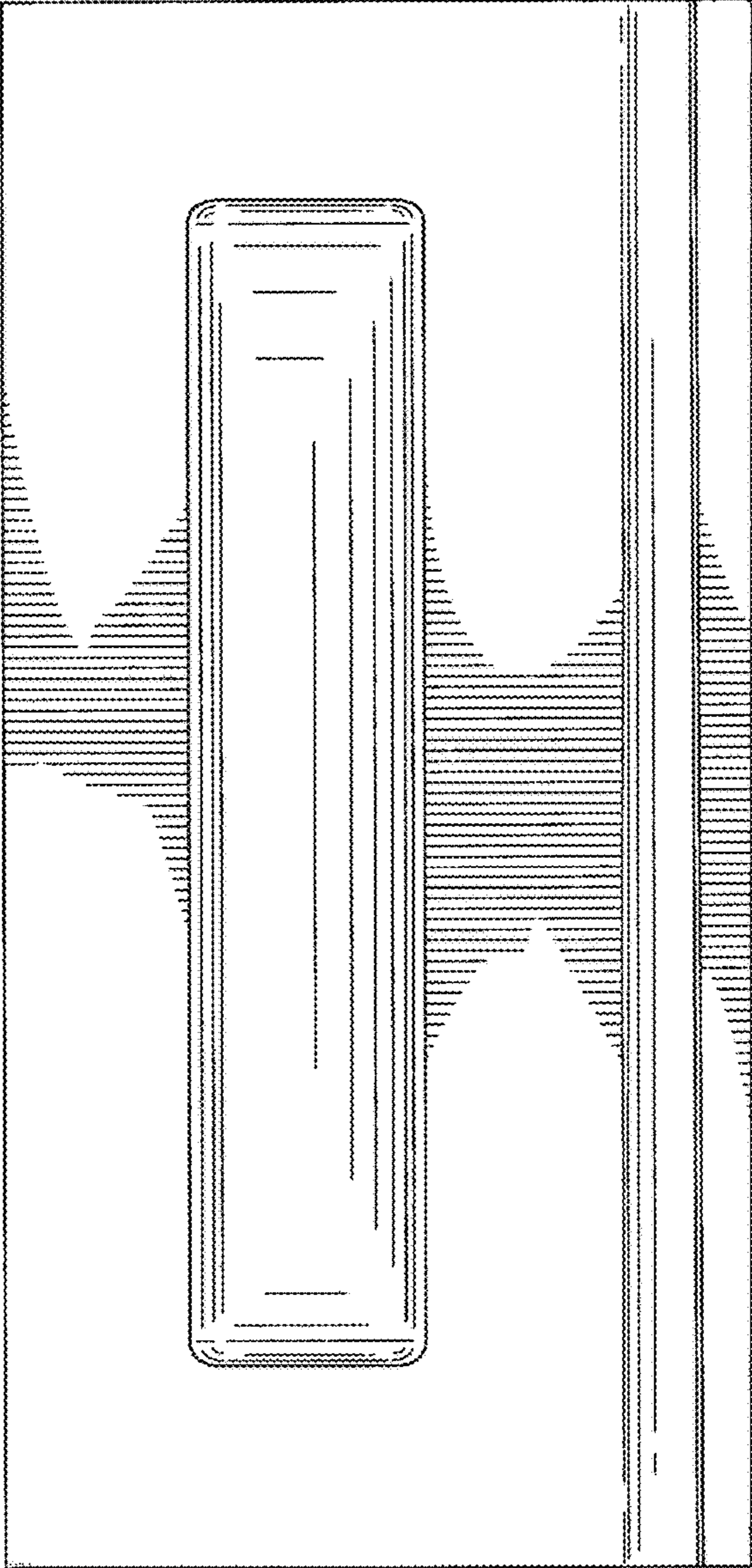


FIG. 6

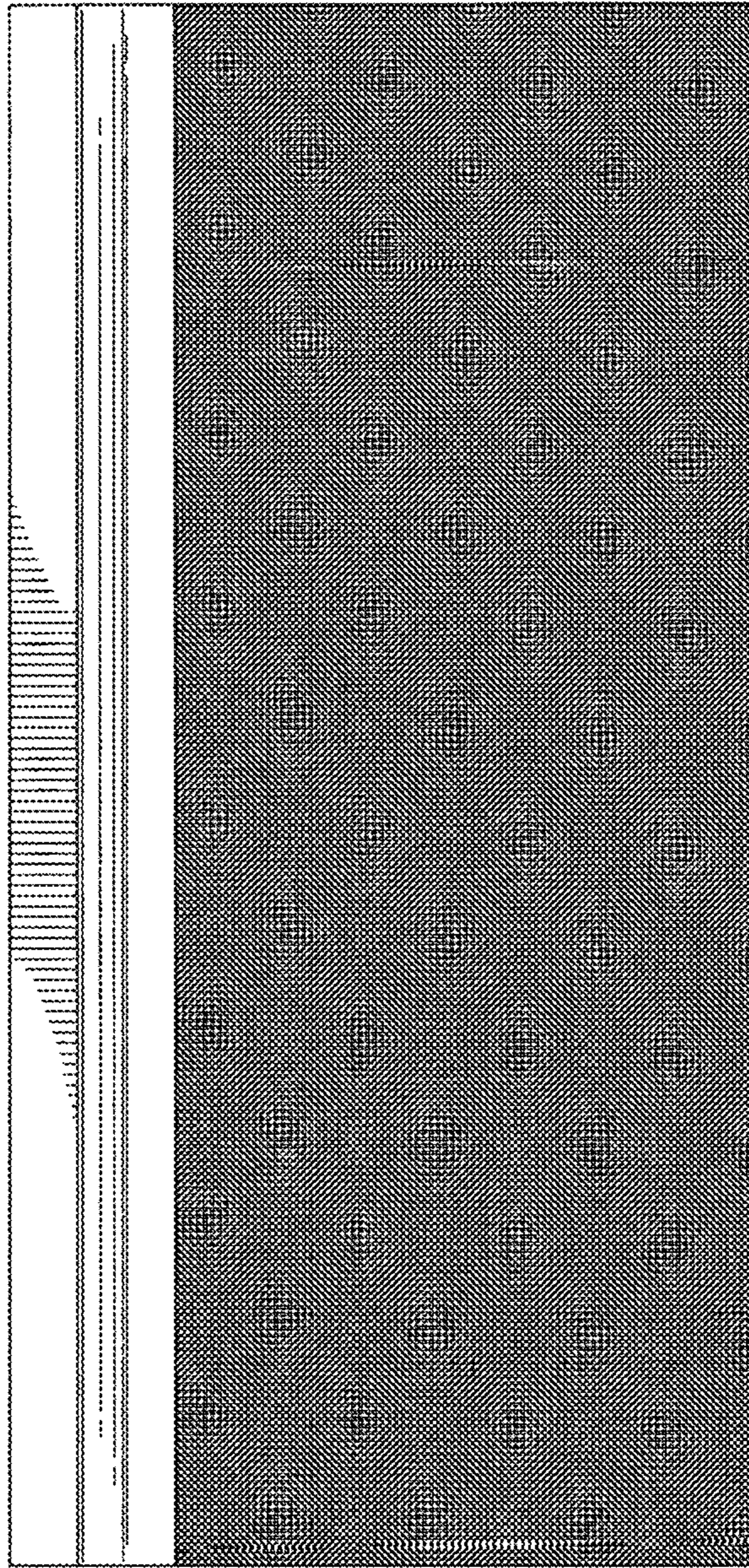


FIG. 7