



US00D851343S

(12) **United States Design Patent**  
**Hinchliffe**

(10) **Patent No.:** **US D851,343 S**  
(45) **Date of Patent:** **\*\* Jun. 11, 2019**

- (54) **PART OF A VACUUM CLEANER**
- (71) Applicant: **Dyson Technology Limited**, Wiltshire (GB)
- (72) Inventor: **Robert Hinchliffe**, Bristol (GB)
- (73) Assignee: **Dyson Technology Limited**, Malmesbury, Wiltshire (GB)
- (\*\*) Term: **15 Years**
- (21) Appl. No.: **29/617,704**
- (22) Filed: **Sep. 15, 2017**
- (30) **Foreign Application Priority Data**  
Mar. 16, 2017 (GB) ..... 6009133
- (51) **LOC (11) Cl.** ..... **15-05**
- (52) **U.S. Cl.**  
USPC ..... **D32/31**
- (58) **Field of Classification Search**  
USPC ..... D32/17-18, 22, 31, 34  
CPC ..... A47L 5/24; A47L 5/06; A47L 5/28; A47L 9/127; A47L 9/1683; A47L 9/16; A47L 9/1608; A47L 9/322; A47L 9/2884; A47L 9/10; A47L 9/102; A47L 9/104; A47L 9/106  
See application file for complete search history.

- (56) **References Cited**  
**U.S. PATENT DOCUMENTS**  
D389,963 S \* 1/1998 Scanlon ..... D32/31  
D400,323 S \* 10/1998 Scanlon ..... D32/30  
D495,105 S \* 8/2004 Baldinger ..... D32/30  
D495,458 S \* 8/2004 Baldinger ..... D32/30  
D520,127 S \* 5/2006 Khalil ..... D23/365  
D521,137 S \* 5/2006 Khalil ..... A47L 5/24  
D541,399 S \* 4/2007 Khalil ..... D23/365

- 7,399,332 B1 \* 7/2008 Morey ..... A47L 9/102  
55/318
- D601,318 S \* 9/2009 Williams ..... D32/30
- D601,319 S \* 9/2009 Williams ..... D32/30
- D601,320 S \* 9/2009 Williams ..... D32/30
- 7,617,566 B2 \* 11/2009 Chapman ..... A47L 9/02  
15/344
- D610,760 S 2/2010 Zugen et al.
- D617,065 S \* 6/2010 Williams ..... D32/31
- D649,725 S 11/2011 Fjellman
- 8,091,174 B2 \* 1/2012 Coburn ..... A47L 5/32  
15/327.2
- D659,922 S 5/2012 Krohmer et al.  
(Continued)

**OTHER PUBLICATIONS**

Hribar-Green et al., U.S. Office Action dated May 11, 2018, directed to U.S. Appl. No. 29/617,709; 7 pages.  
(Continued)

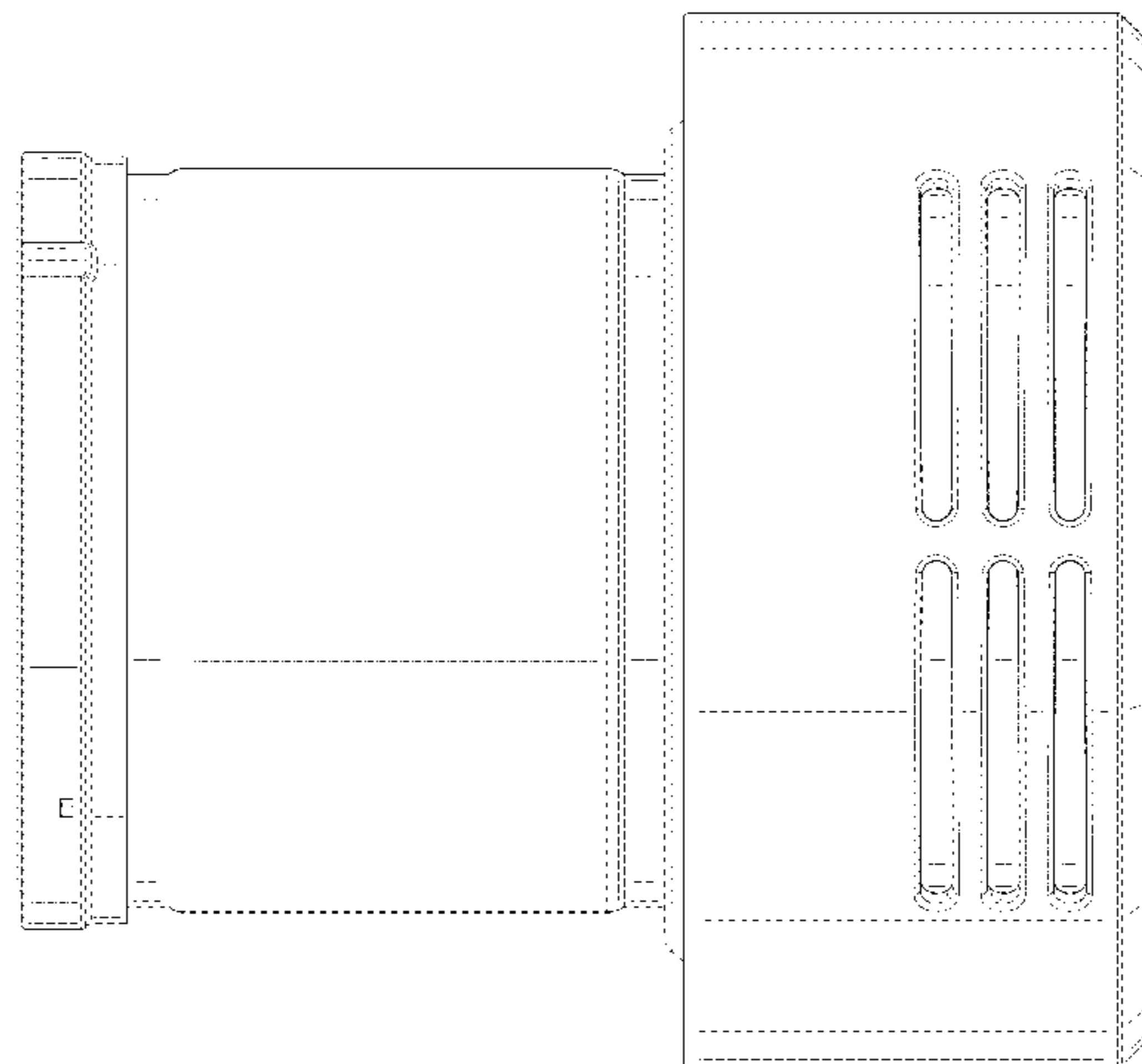
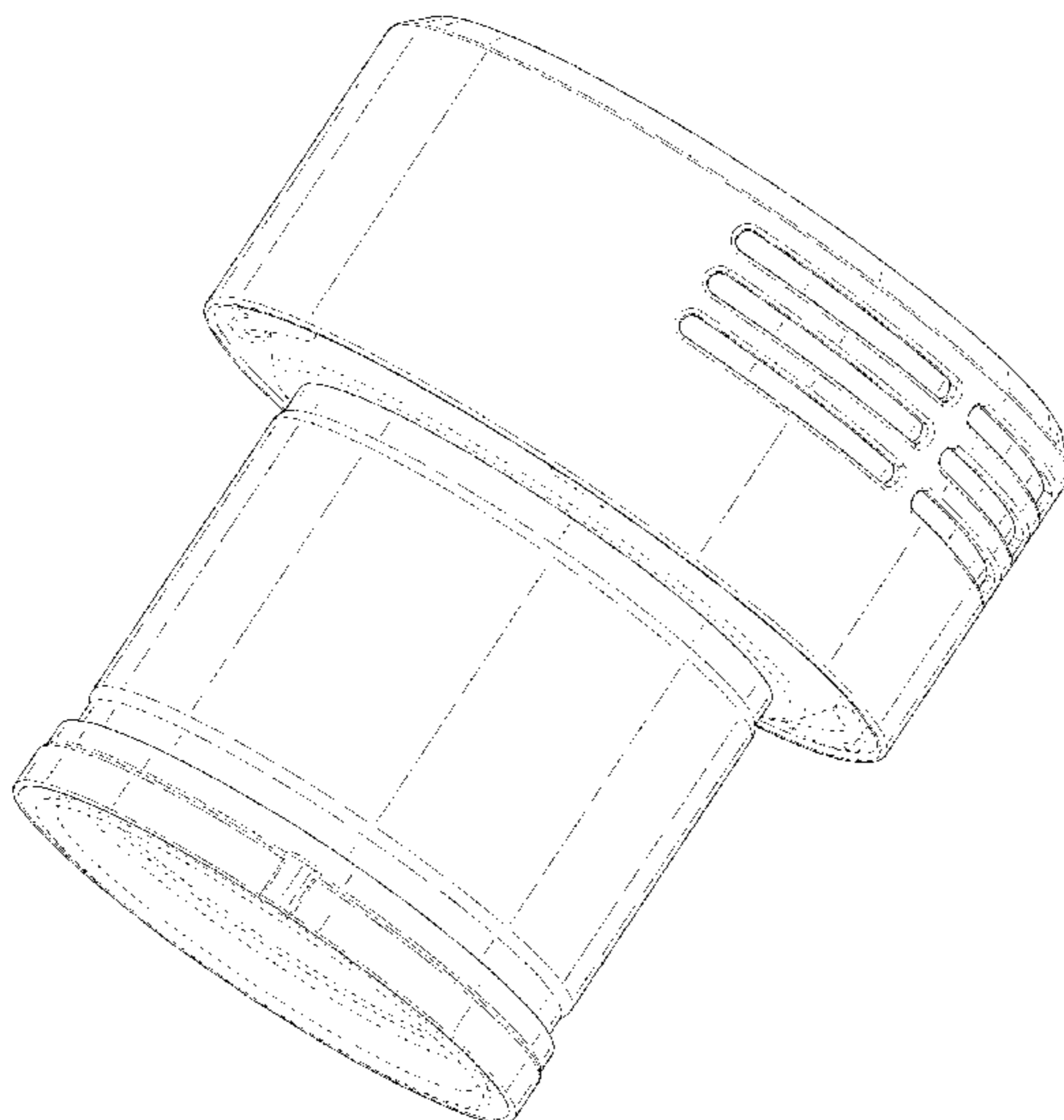
*Primary Examiner* — Ruth McInroy  
(74) *Attorney, Agent, or Firm* — Morrison & Foerster LLP

(57) **CLAIM**  
I claim the ornamental design for a part of a vacuum cleaner, as shown and described.

**DESCRIPTION**

FIG. 1 is a perspective view of a part of a vacuum cleaner showing our new design;  
FIG. 2 is a side view thereof;  
FIG. 3 is a side view of the opposite side of FIG. 2;  
FIG. 4 is a front view thereof;  
FIG. 5 is a rear view thereof;  
FIG. 6 is a top view thereof; and,  
FIG. 7 is a bottom view thereof.  
The broken lines shown in the drawings illustrate portions of part of a vacuum cleaner that form no part of the claimed design.

**1 Claim, 7 Drawing Sheets**



(56)

**References Cited**

U.S. PATENT DOCUMENTS

8,302,250 B2 \* 11/2012 Dyson ..... A47L 5/24  
 15/327.1  
 D691,338 S \* 10/2013 Schultz ..... D32/31  
 D712,104 S 8/2014 Stickney et al.  
 D712,105 S 8/2014 Stickney et al.  
 D718,009 S 11/2014 Sun  
 8,925,145 B2 \* 1/2015 Wilson ..... A47L 5/24  
 15/347  
 8,966,711 B2 3/2015 Millington et al.  
 D731,130 S \* 6/2015 Dyson ..... D32/18  
 D731,134 S \* 6/2015 Dyson ..... D32/31  
 9,144,358 B2 \* 9/2015 Smith ..... A47L 9/102  
 D747,571 S \* 1/2016 Dyson ..... D32/18  
 D747,572 S \* 1/2016 Kerr ..... D32/18  
 D751,778 S \* 3/2016 Yun ..... D32/31  
 D752,301 S 3/2016 Courtney et al.  
 D752,302 S 3/2016 Courtney et al.

D770,711 S 11/2016 Okada et al.  
 9,591,952 B2 \* 3/2017 Conrad ..... A47L 5/24  
 D792,665 S \* 7/2017 Salagnac ..... D32/18  
 9,788,697 B2 \* 10/2017 Peace ..... A47L 9/165  
 D804,753 S \* 12/2017 Kim ..... D32/31  
 D813,475 S \* 3/2018 Lee ..... D32/18  
 D814,725 S 4/2018 Alexander  
 9,962,047 B2 \* 5/2018 Brown ..... A47L 5/24  
 D821,044 S \* 6/2018 Cao ..... D32/18  
 9,986,880 B2 \* 6/2018 Conrad ..... A47L 5/225  
 10,092,146 B2 \* 10/2018 Conrad ..... A47L 5/24  
 10,143,345 B2 \* 12/2018 Peters ..... A47L 9/106  
 2009/0307863 A1 \* 12/2009 Milne ..... A47L 5/24  
 15/344

OTHER PUBLICATIONS

Hribar-Green et al., U.S. Office Action dated May 11, 2018, directed to U.S. Appl. No. 29/617,715; 7 pages.

\* cited by examiner

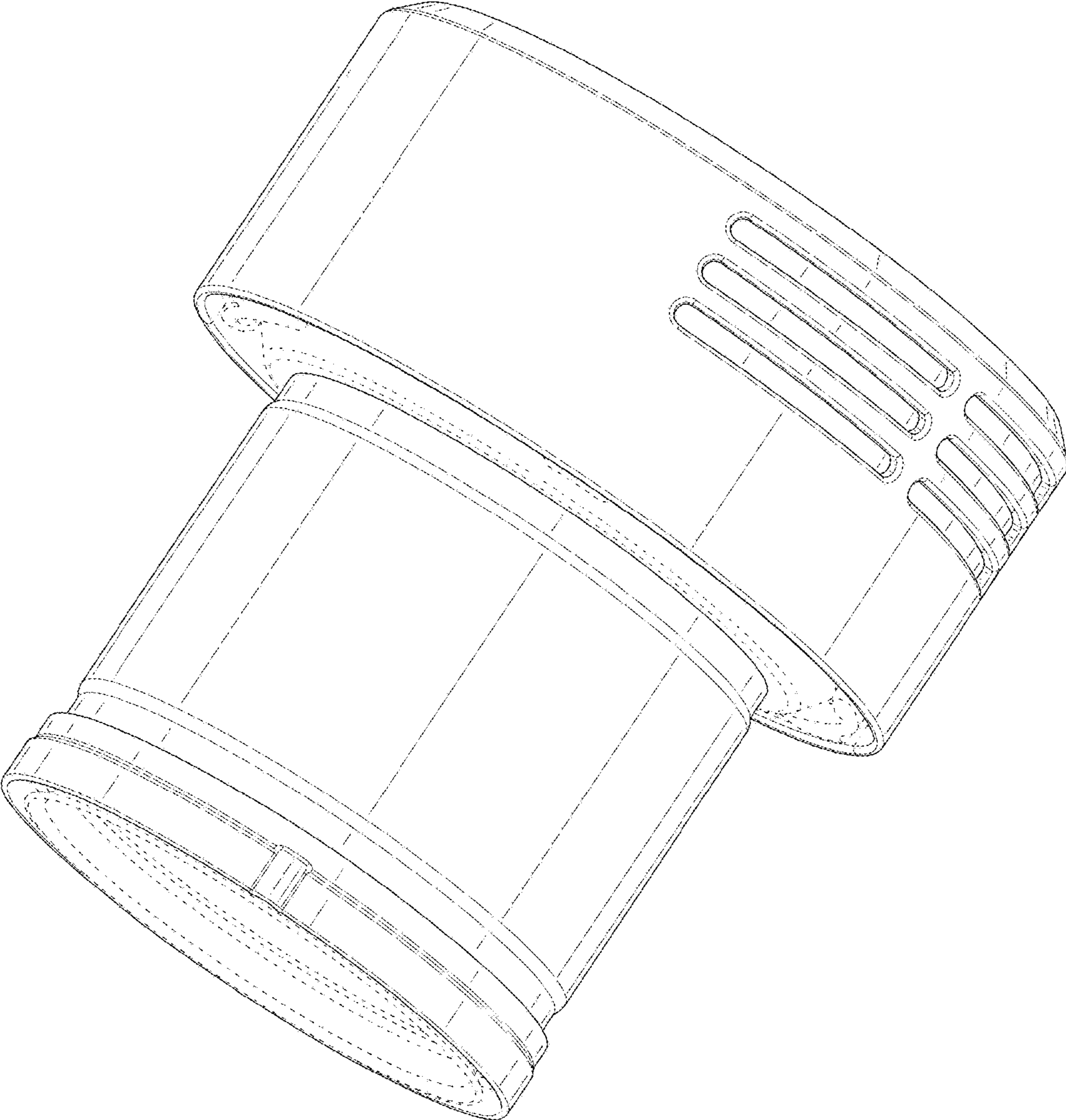


FIG. 1

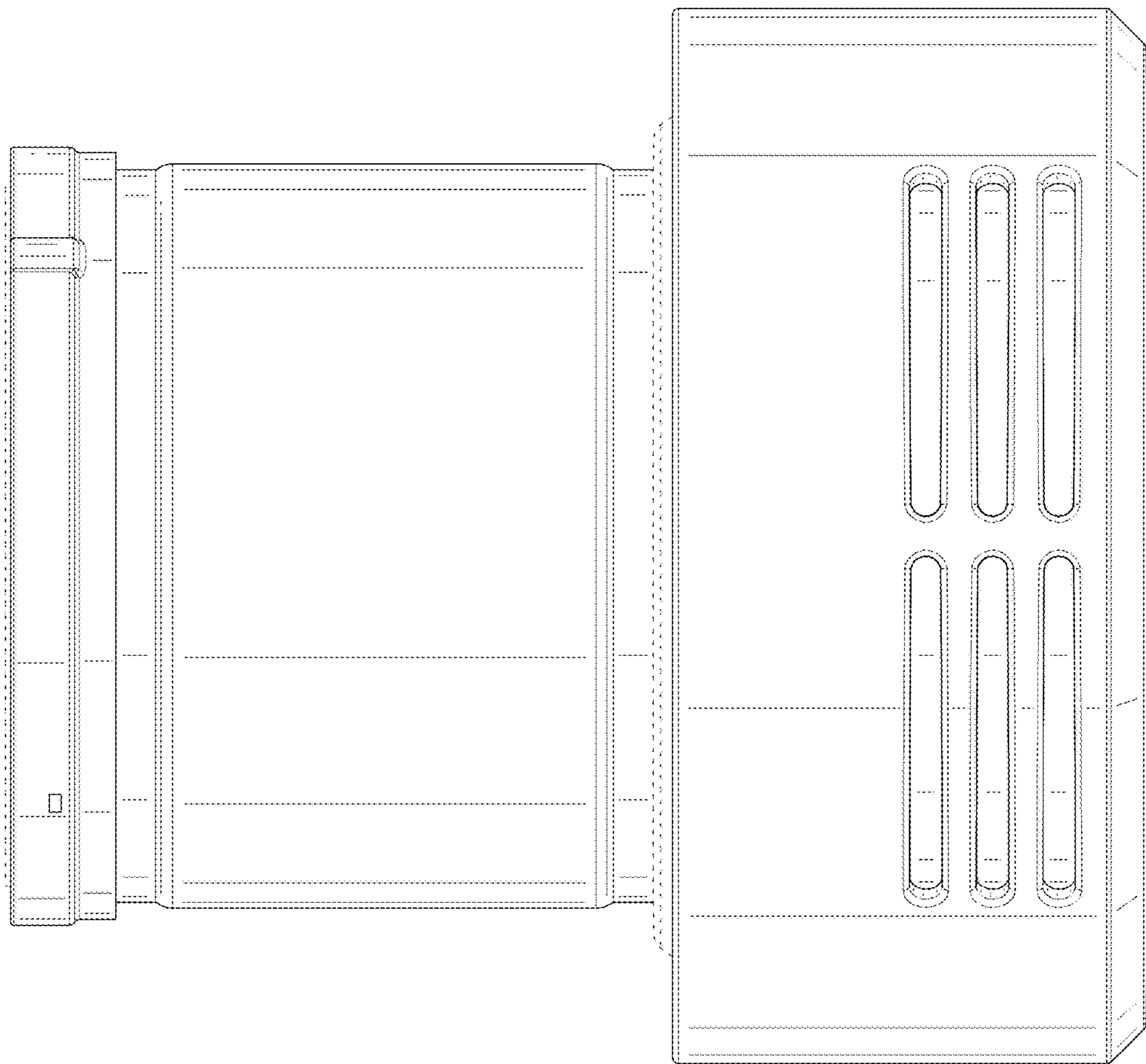


FIG. 2

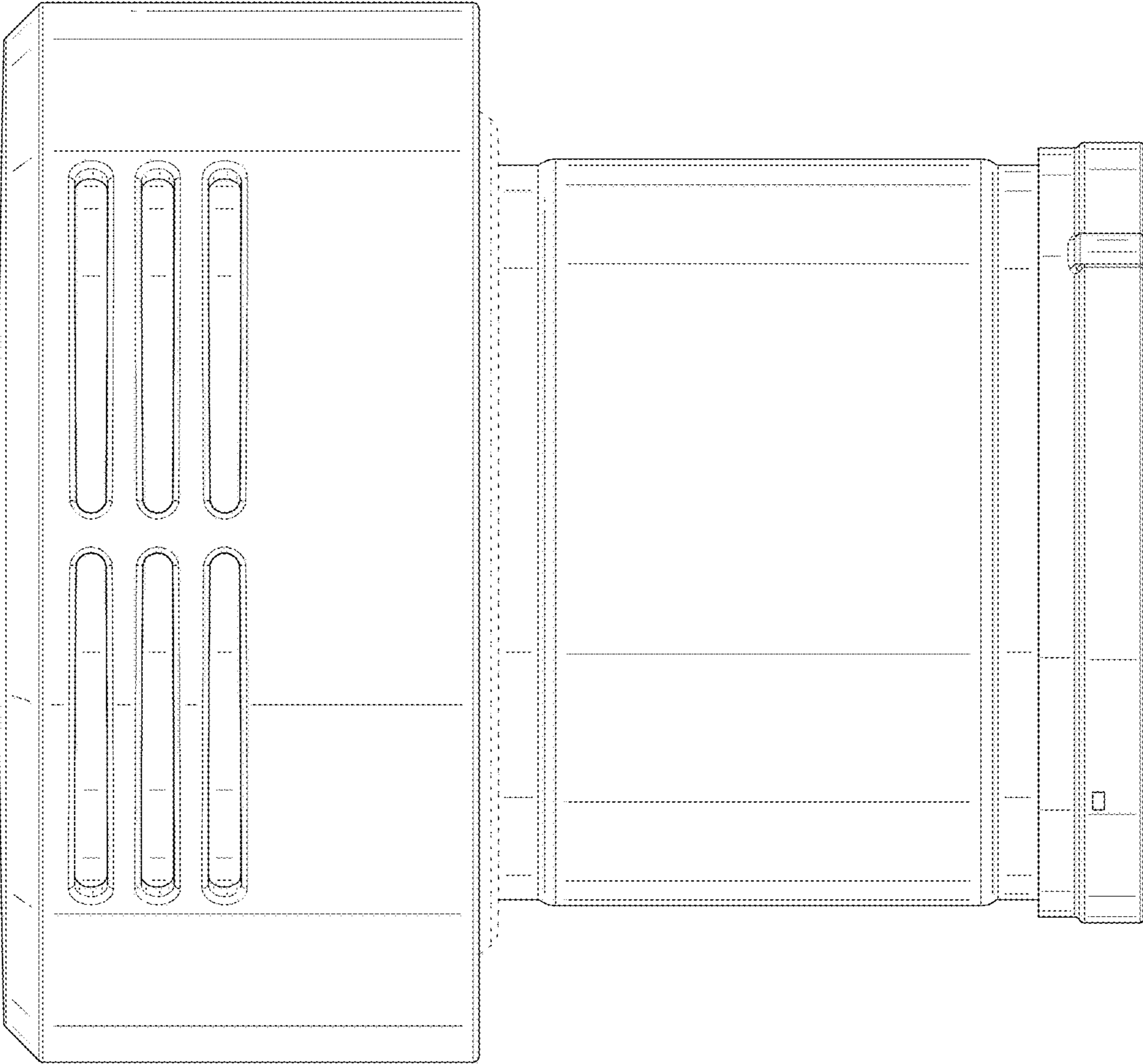


FIG. 3

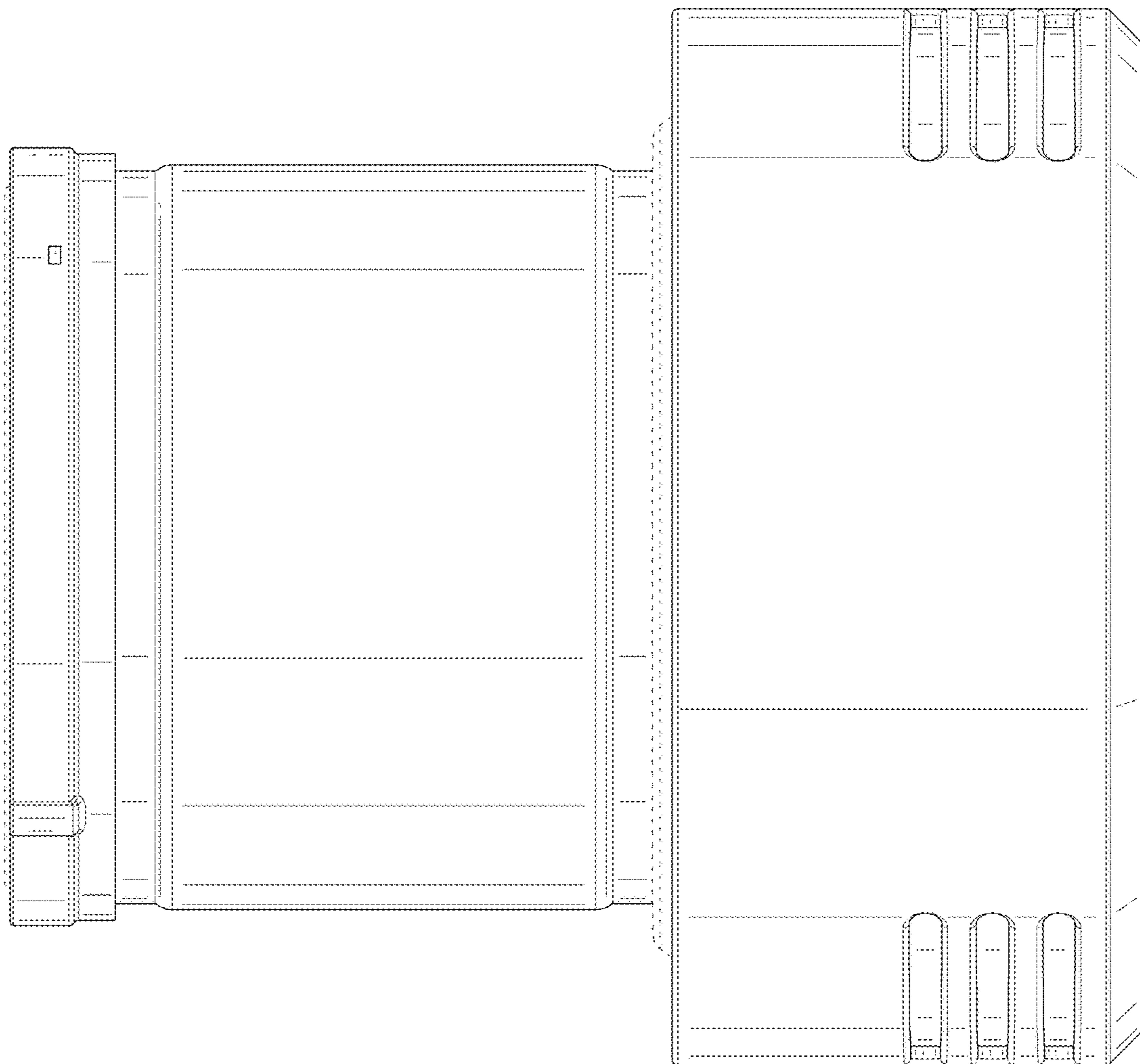


FIG. 4

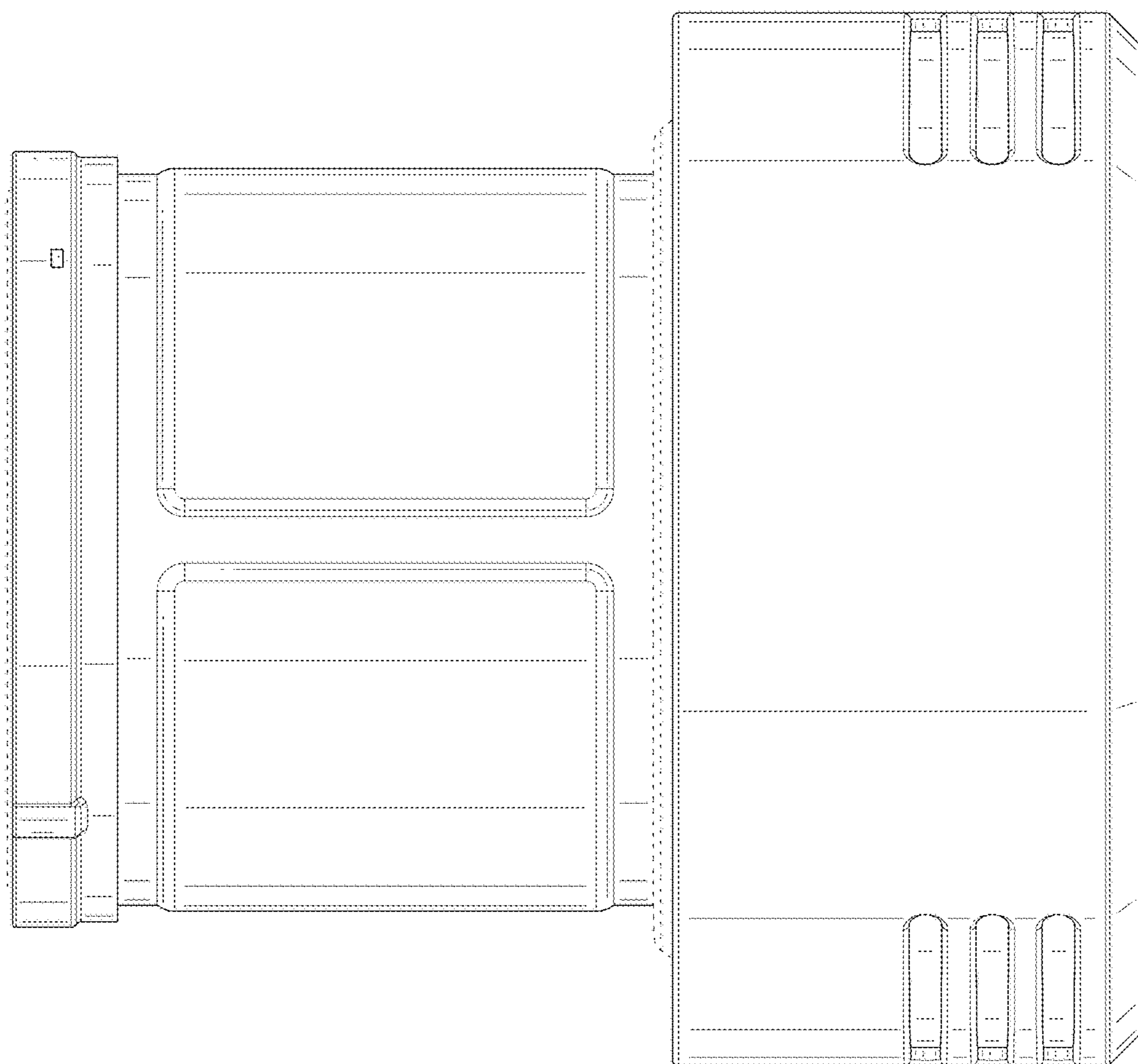


FIG. 5

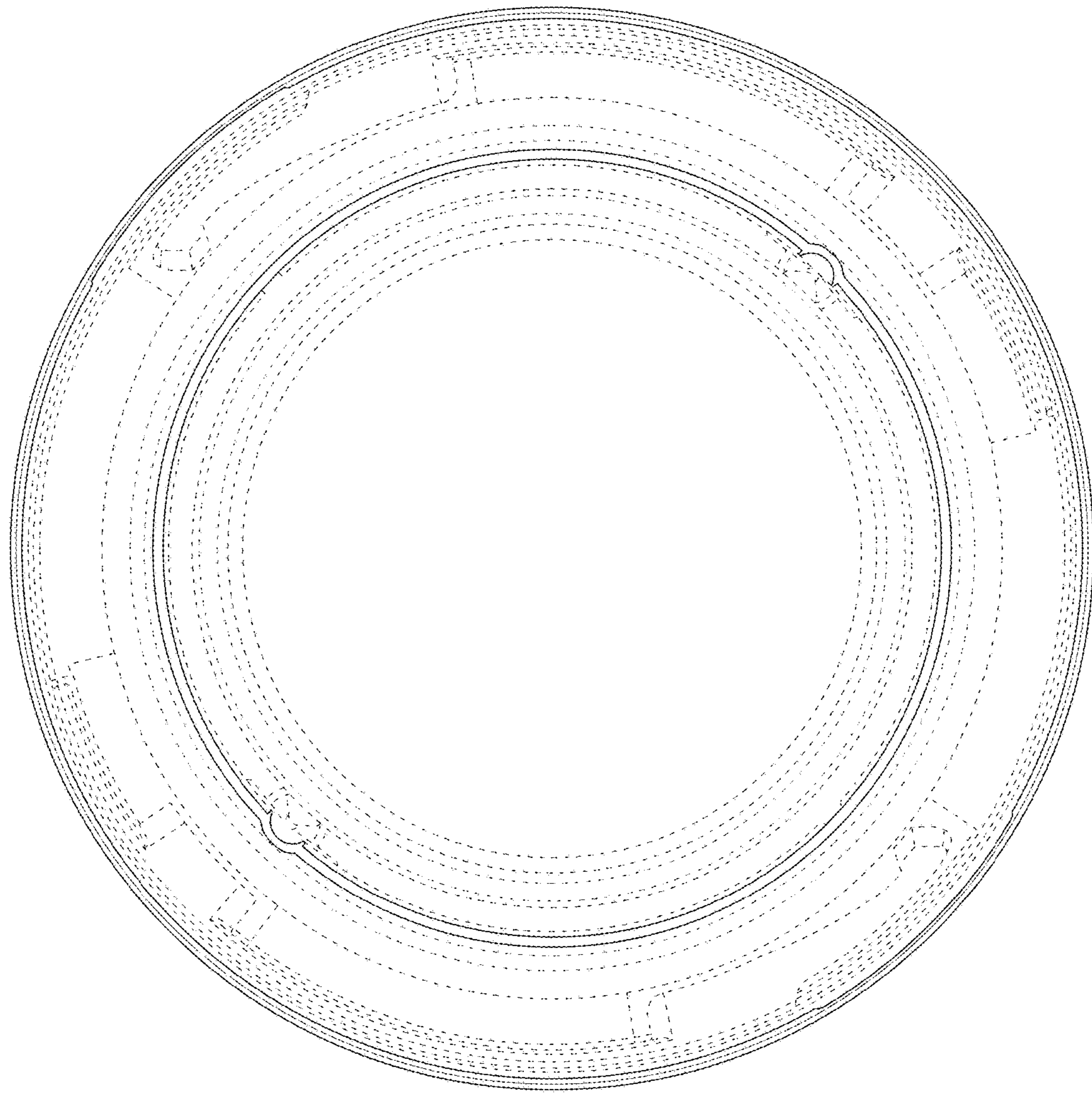


FIG. 6



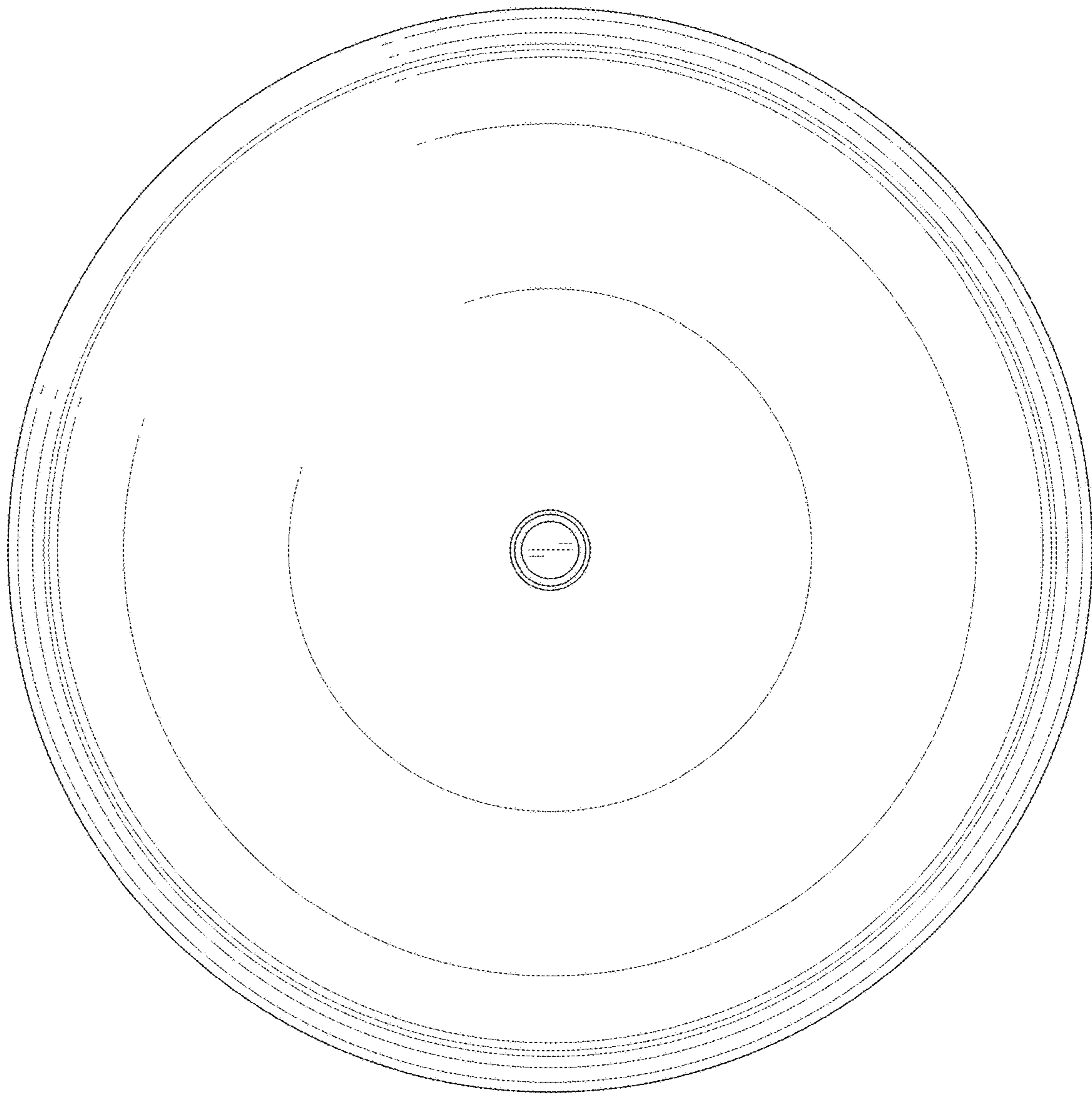


FIG. 7