



US00D851342S

(12) **United States Design Patent**
Tu

(10) **Patent No.:** **US D851,342 S**

(45) **Date of Patent:** **** Jun. 11, 2019**

(54) **VACUUM CLEANER**

(71) Applicant: **Wucai Tu**, Jiangxi (CN)

(72) Inventor: **Wucai Tu**, Jiangxi (CN)

(**) Term: **15 Years**

(21) Appl. No.: **29/591,456**

(22) Filed: **Jan. 20, 2017**

(51) **LOC (11) Cl.** **15-05**

(52) **U.S. Cl.**
USPC **D32/18**

(58) **Field of Classification Search**
USPC D32/17, 18, 22, 31
CPC ... A47L 5/24; A47L 5/362; A47L 5/36; A47L
5/28; A47L 9/102; A47L 9/1683; B01D
50/002

See application file for complete search history.

(56) **References Cited**

U.S. PATENT DOCUMENTS

D401,021 S	*	11/1998	Stephens	D32/18
D437,983 S	*	2/2001	Stratford	D32/18
D440,719 S	*	4/2001	Stratford	D32/18

D440,720 S	*	4/2001	Stratford	D32/18
D441,151 S	*	4/2001	Stratford	D32/18
D441,152 S	*	4/2001	Stratford	D32/18
D441,926 S	*	5/2001	Stratford	D32/18
D515,258 S	*	2/2006	Robson	D32/18
D564,151 S	*	3/2008	Fjellman	D32/18
D564,153 S	*	3/2008	Fjellman	D32/18
D565,811 S	*	4/2008	Fjellman	D32/18
D565,812 S	*	4/2008	Fjellman	D32/18

* cited by examiner

Primary Examiner — Ruth McInroy

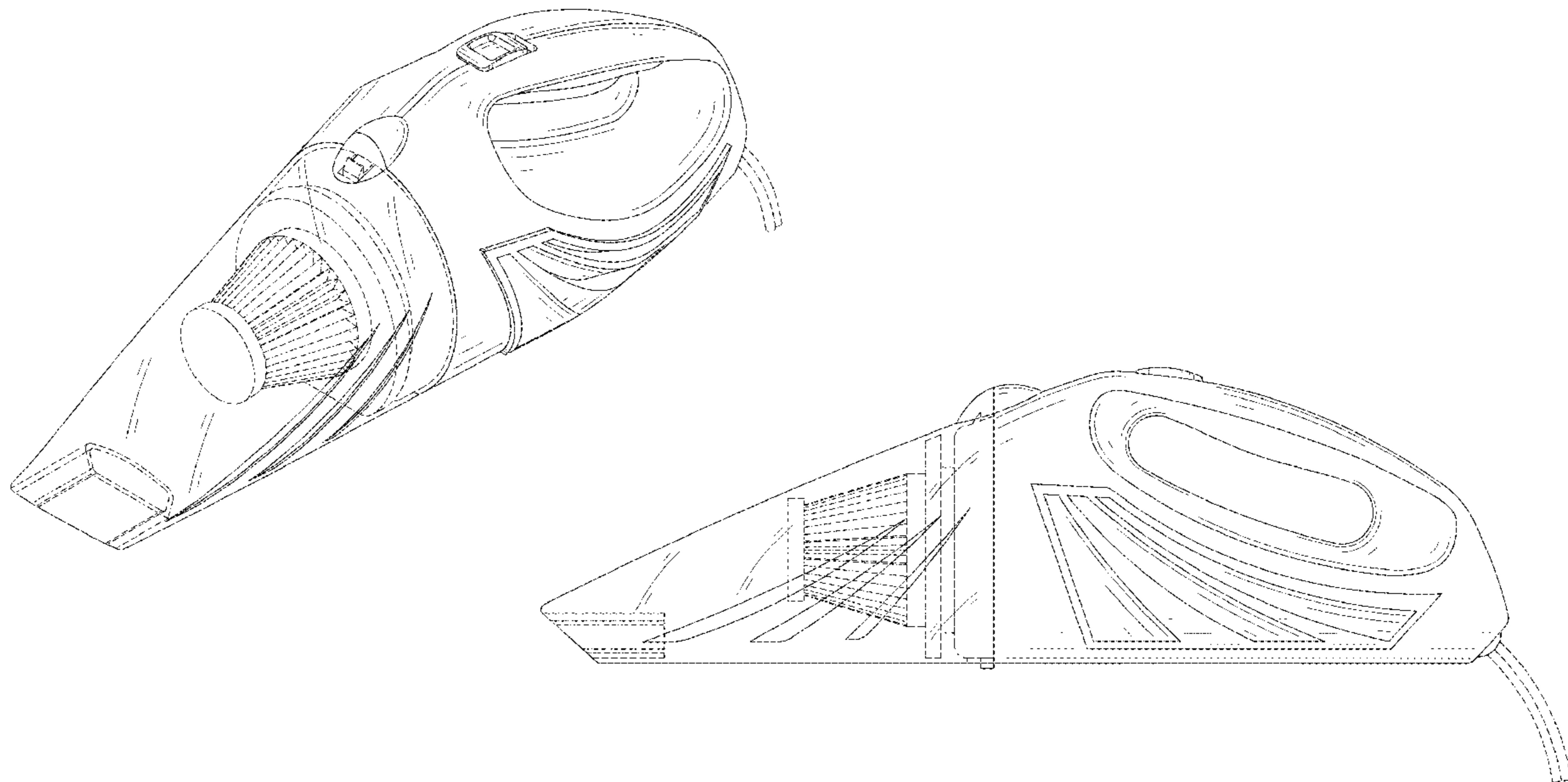
(57) **CLAIM**

The ornamental design for a vacuum cleaner, as shown and described.

DESCRIPTION

FIG. 1 is a perspective view of a vacuum cleaner showing my new design;
FIG. 2 is a front elevational view thereof;
FIG. 3 is a rear elevational view thereof;
FIG. 4 is a left side view thereof;
FIG. 5 is a right side view thereof;
FIG. 6 is a top plan view thereof; and,
FIG. 7 is a bottom plan view thereof.
The details shown in broken lines form no part of the claimed design.

1 Claim, 7 Drawing Sheets



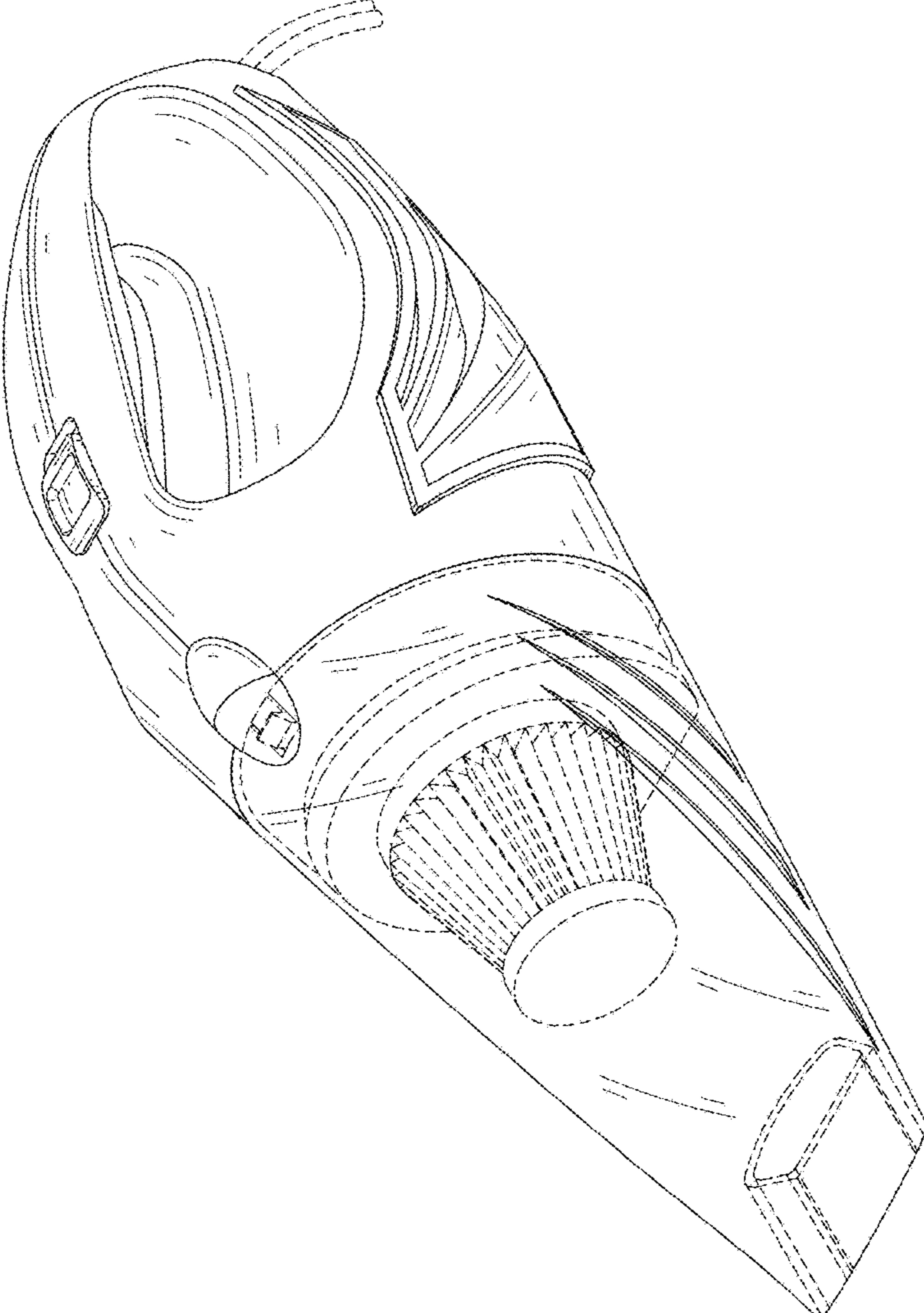


FIG. 1

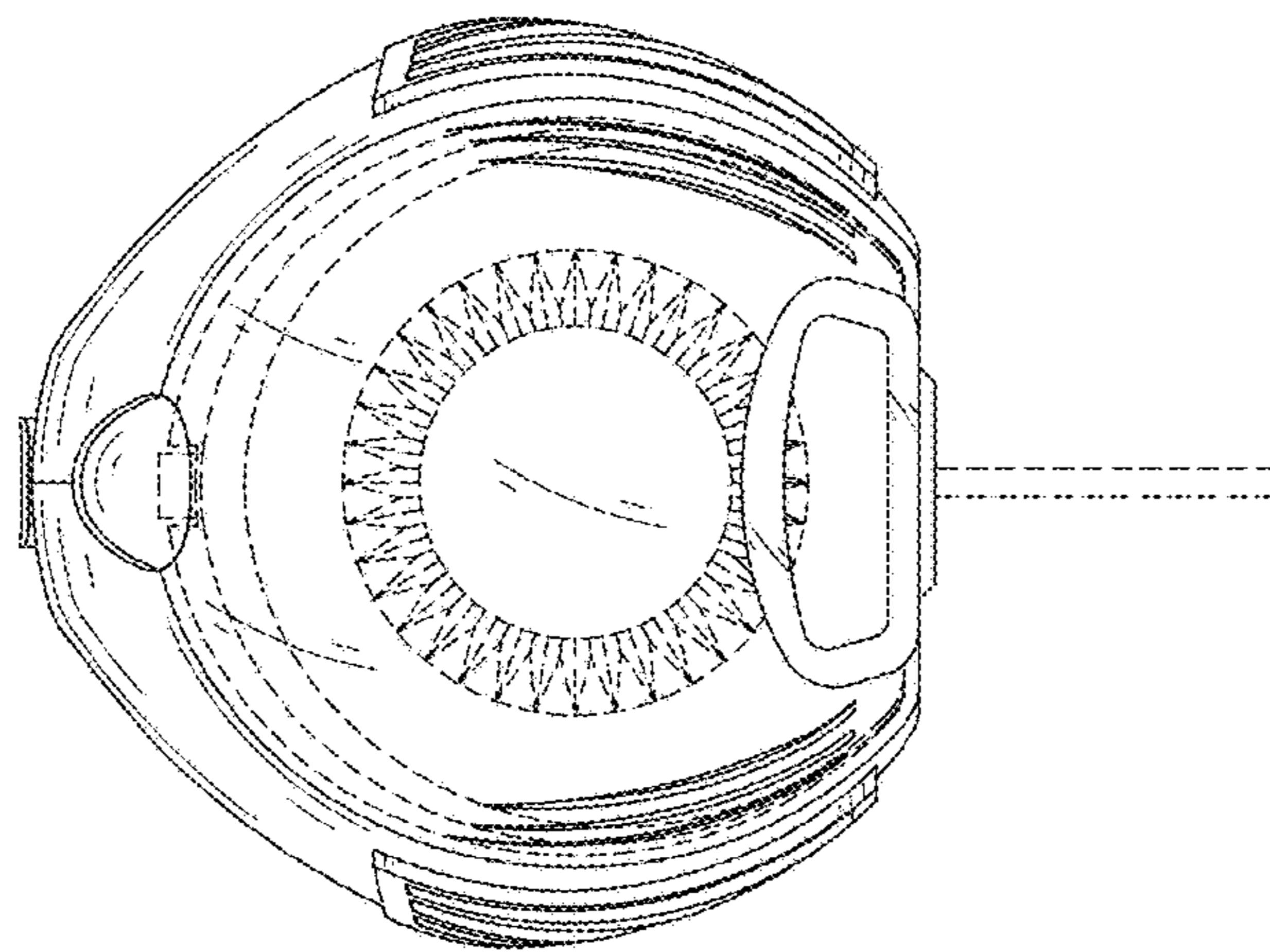


FIG. 2

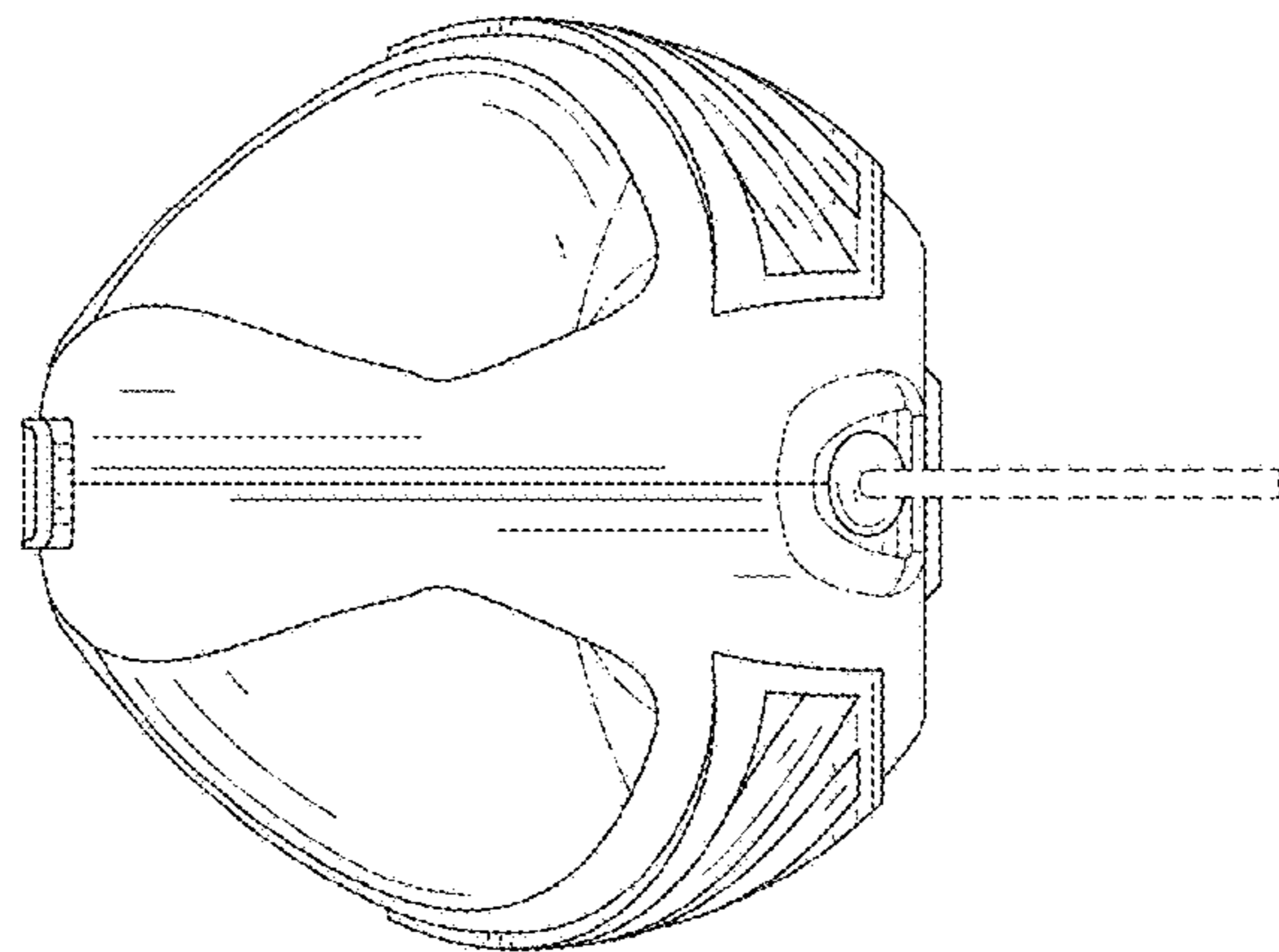


FIG. 3

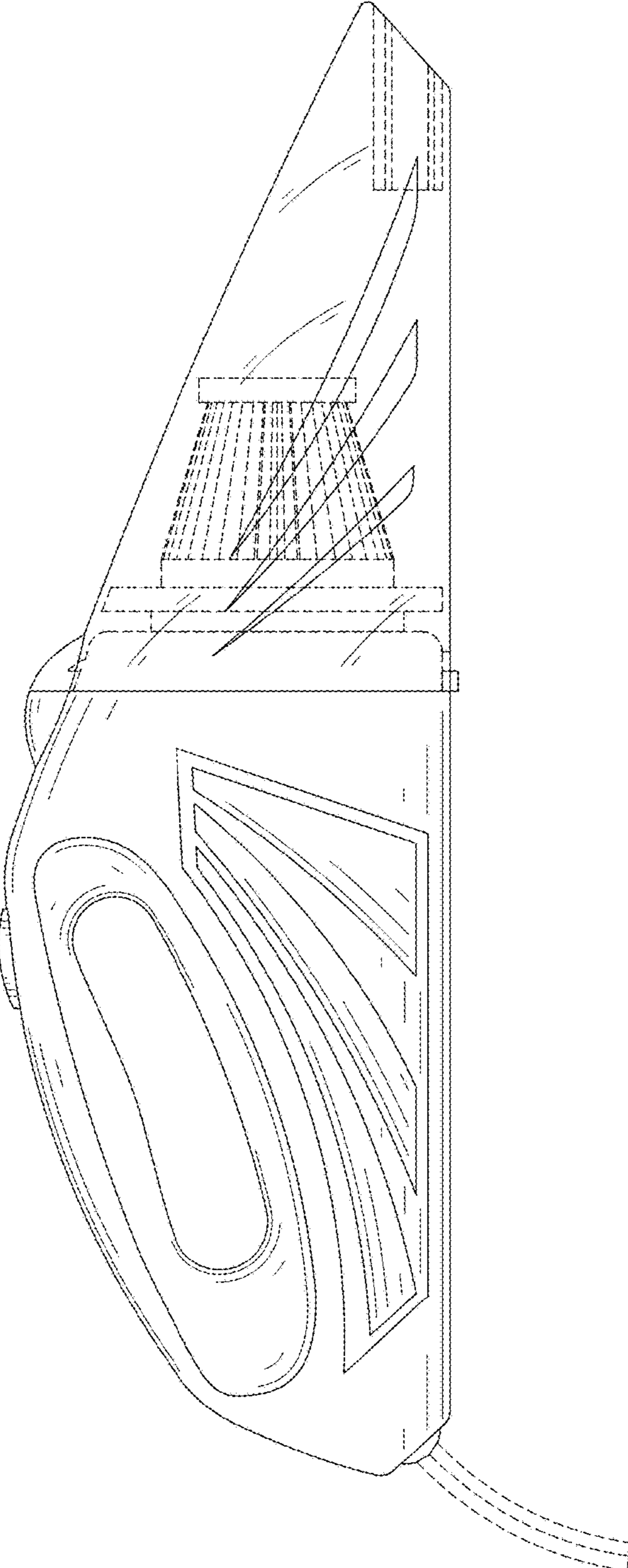


FIG. 4

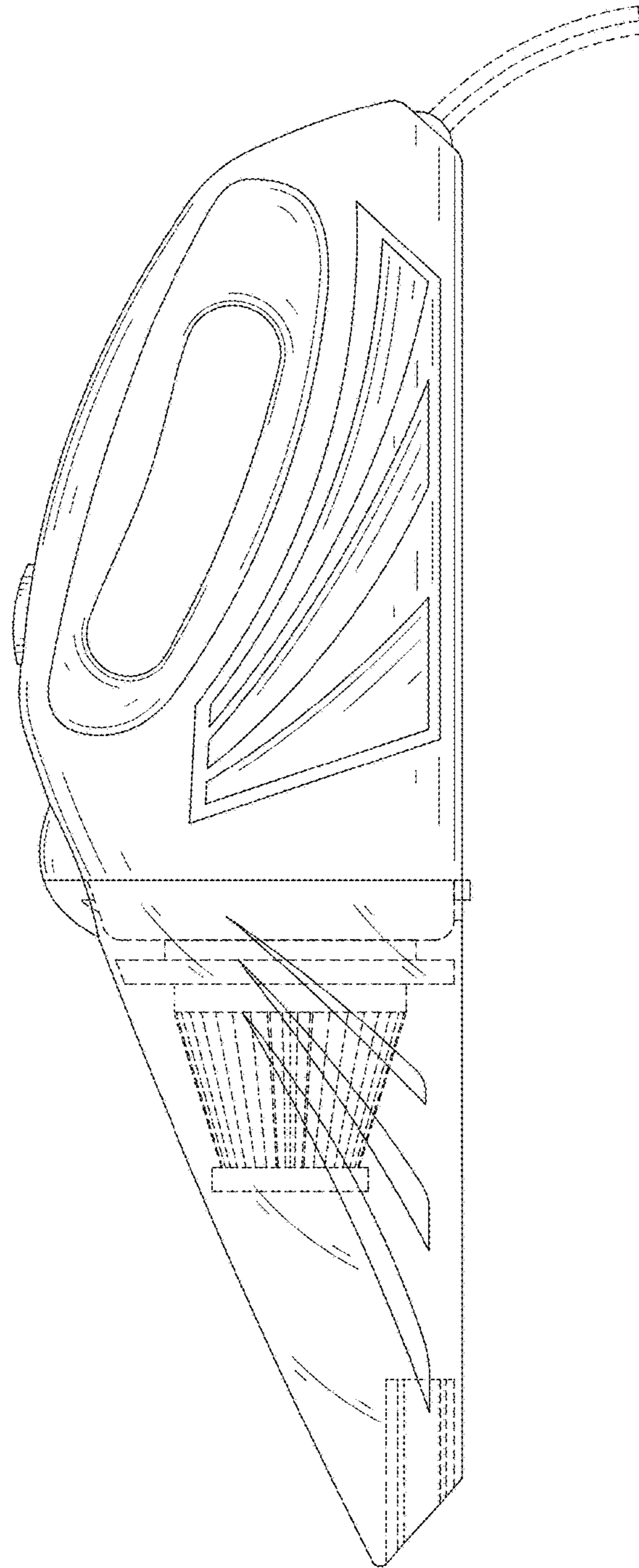


FIG. 5

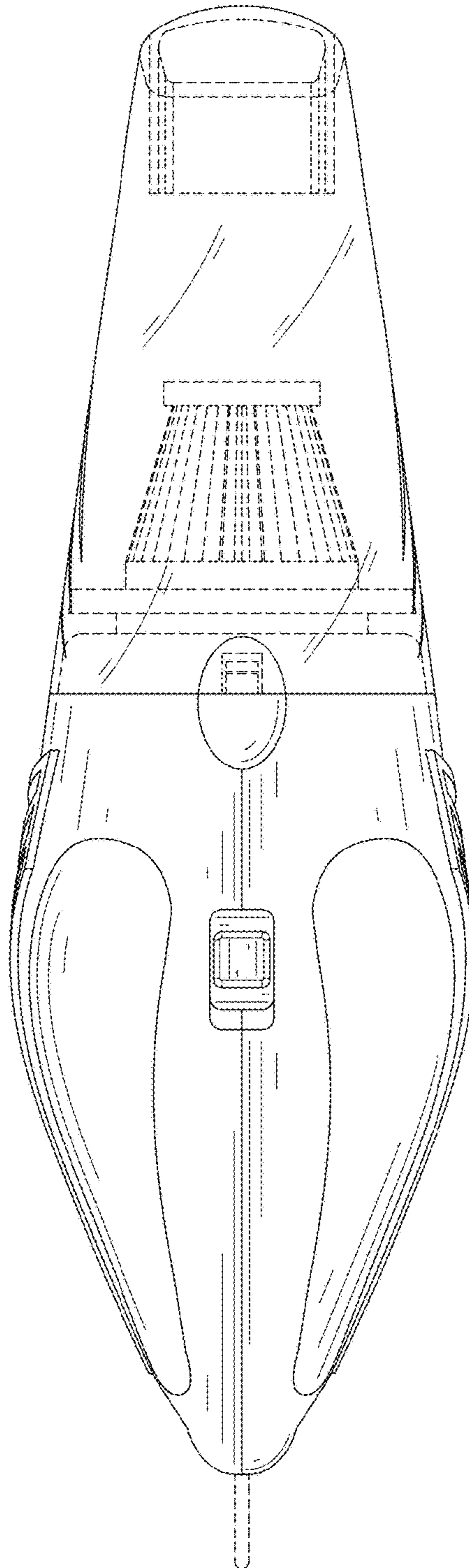


FIG. 6

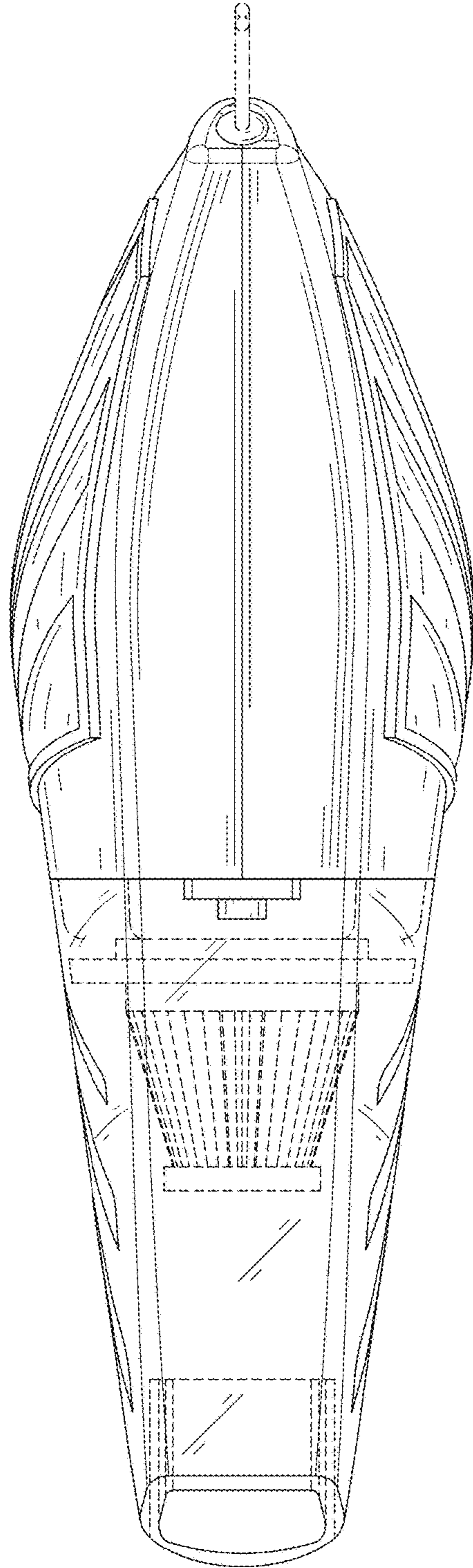


FIG. 7