



US00D851341S

(12) **United States Design Patent**
Ginther

(10) **Patent No.:** **US D851,341 S**

(45) **Date of Patent:** **** Jun. 11, 2019**

(54) **PLUNGER HEAD**

(71) Applicant: **Robert Ginther**, Saskatoon (CA)

(72) Inventor: **Robert Ginther**, Saskatoon (CA)

(**) Term: **15 Years**

(21) Appl. No.: **29/639,326**

(22) Filed: **Mar. 6, 2018**

(51) **LOC (11) Cl.** **15-05**

(52) **U.S. Cl.**
USPC **D32/14**

(58) **Field of Classification Search**
USPC D32/1, 14, 25, 35; D23/223, 224;
D6/524
CPC D03C 1/308; A47K 11/10
See application file for complete search history.

(56) **References Cited**

U.S. PATENT DOCUMENTS

D915,687		3/1909	Lowe et al.	
D292,631	S *	11/1987	Tash	D32/14
D437,667	S *	2/2001	Hwang	D32/35
D448,534	S *	9/2001	Wang	D32/35
D454,673	S *	3/2002	Hwang	D32/35
D456,574	S *	4/2002	Chen	D32/35
D465,888	S *	11/2002	Wang	D32/35
D491,702	S *	6/2004	Tash	D32/14
D509,333	S *	9/2005	Tash	D32/35
D514,760	S *	2/2006	Schoolcraft	D32/35
D535,073	S *	1/2007	Leaphart	D32/35
D680,282	S	8/2013	Daciw	
D690,959	S *	10/2013	Yang	D6/524
8,544,122	B2	10/2013	Slot	
8,782,822	B1	7/2014	Vandenbergh	

2013/0125298	A1 *	5/2013	Guthrie	E03D 9/00 4/255.11
2014/0033419	A1 *	2/2014	Daciw	E03C 1/308 4/255.11
2014/0075661	A1 *	3/2014	Zeng	E03D 9/00 4/255.11
2014/0115768	A1 *	5/2014	Wang	E03D 9/00 4/255.11
2015/0218787	A1	8/2015	Wong	
2015/0240466	A1 *	8/2015	Schultz	A47K 11/10 4/255.11
2016/0298322	A1 *	10/2016	Zavala	E03D 11/00

* cited by examiner

Primary Examiner — Michelle E. Wilson

(74) *Attorney, Agent, or Firm* — Lewellyn Law, PLLC;
Stephen Lewellyn

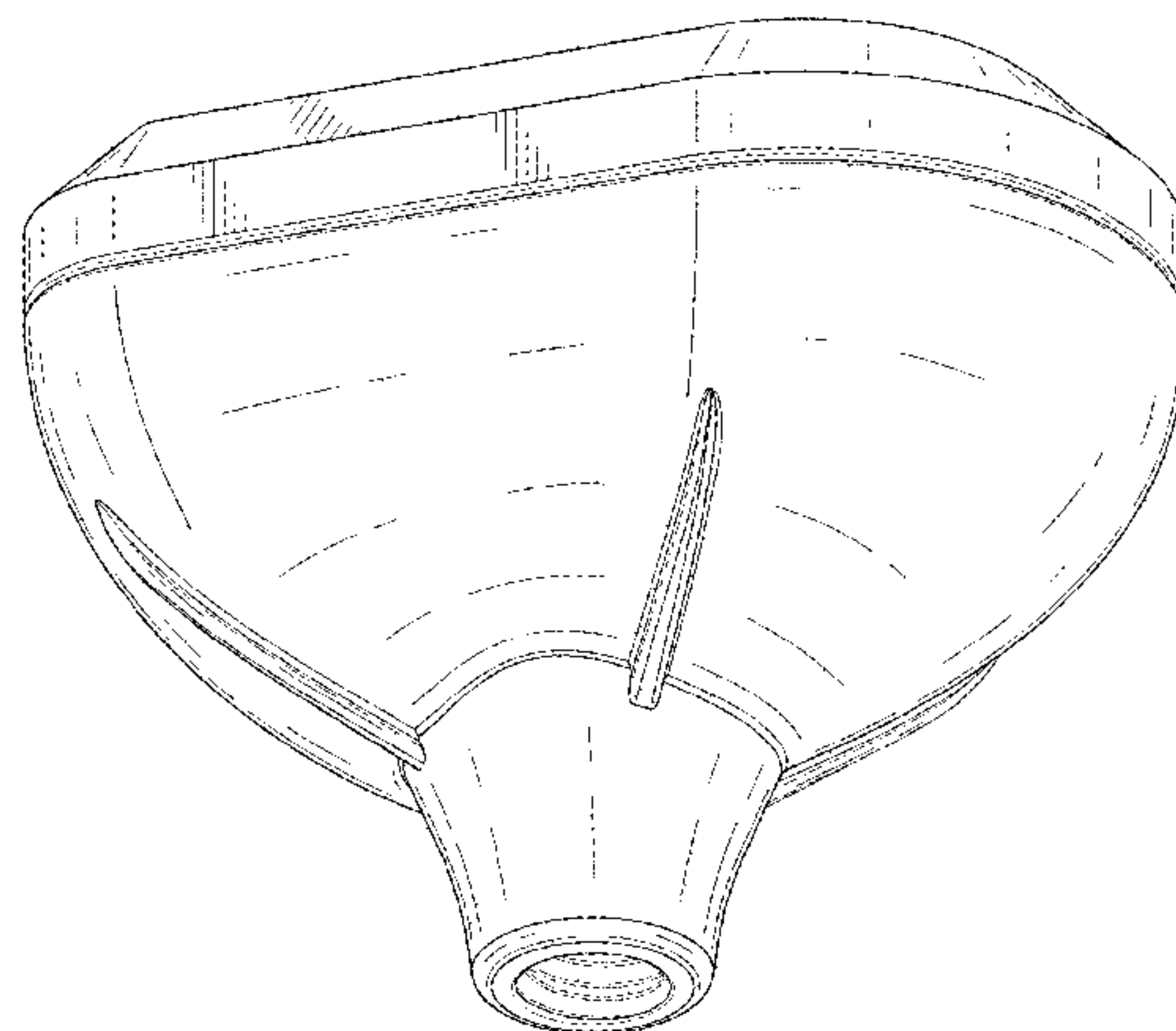
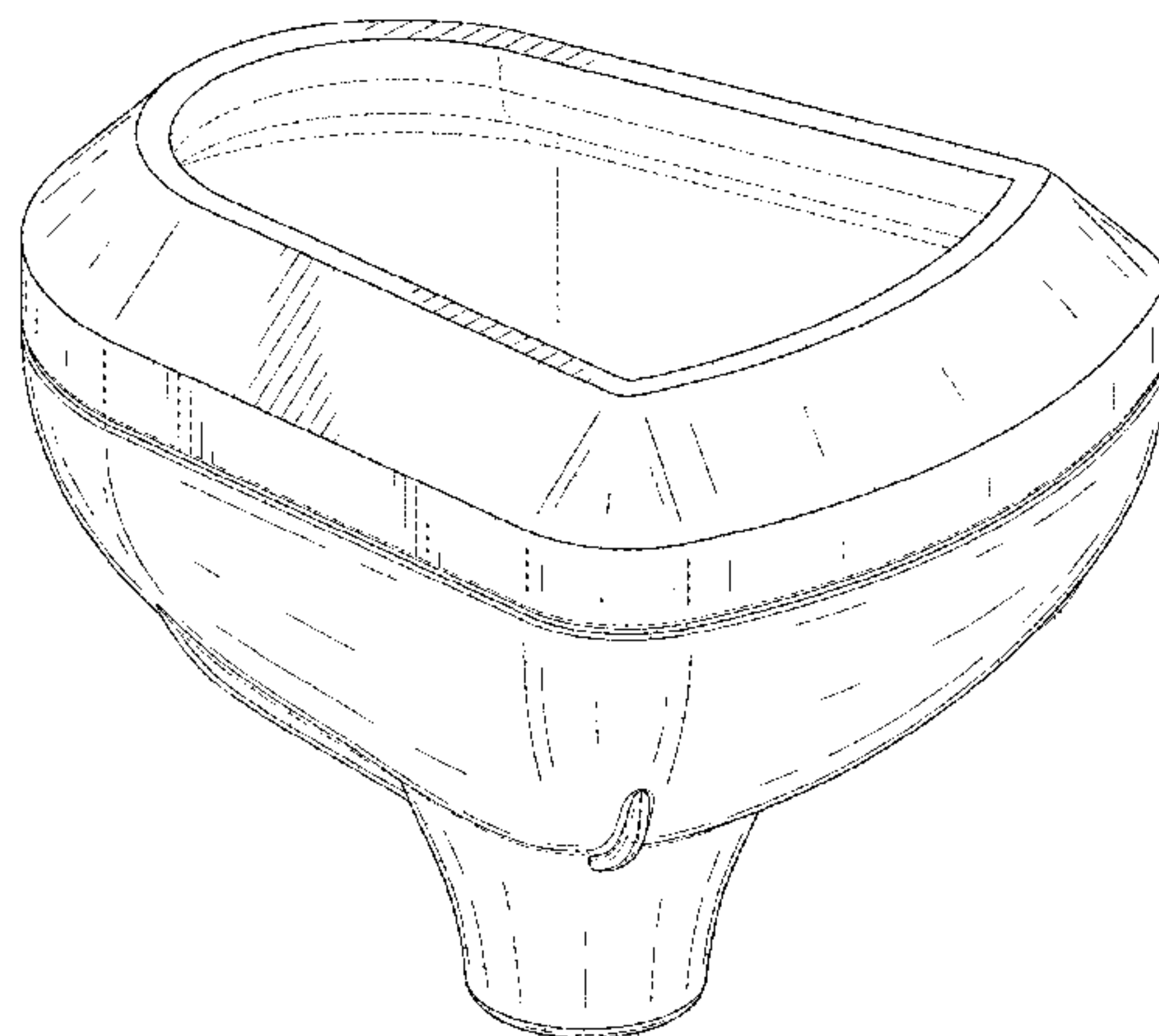
(57) **CLAIM**

The ornamental design for a plunger head, as shown and described.

DESCRIPTION

FIG. 1 is a perspective view of the plunger head showing my new design;
FIG. 2 is a second perspective view thereof;
FIG. 3 is a third perspective view thereof;
FIG. 4 is a bottom plan view thereof;
FIG. 5 is a top plan view thereof;
FIG. 6 is a side elevation view thereof, the opposite side being a mirror image;
FIG. 7 is back elevation view thereof; and,
FIG. 8 is a front elevation view thereof.
The broken lines shown in the drawings form no part of the claimed design.

1 Claim, 8 Drawing Sheets



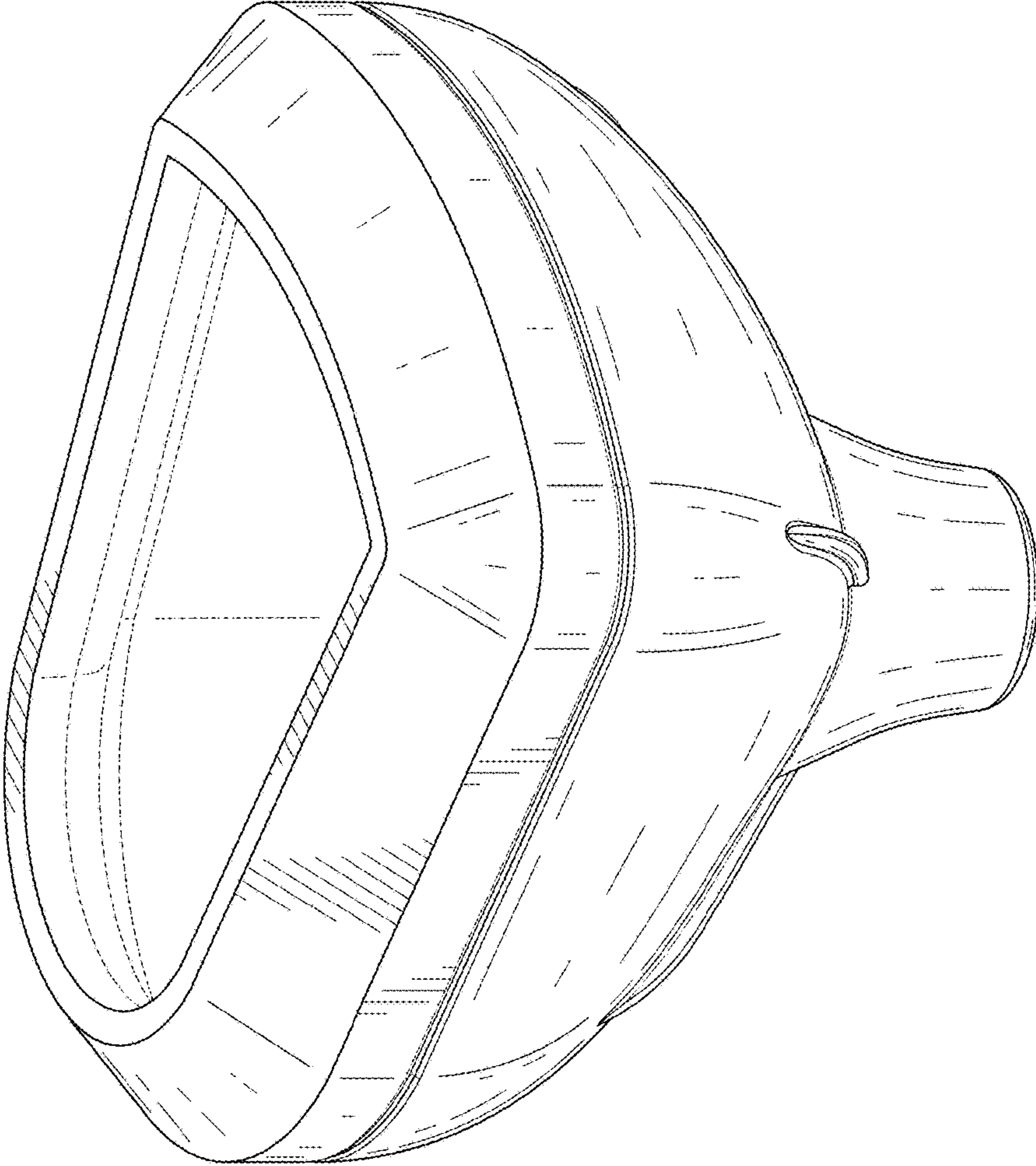


FIG. 1

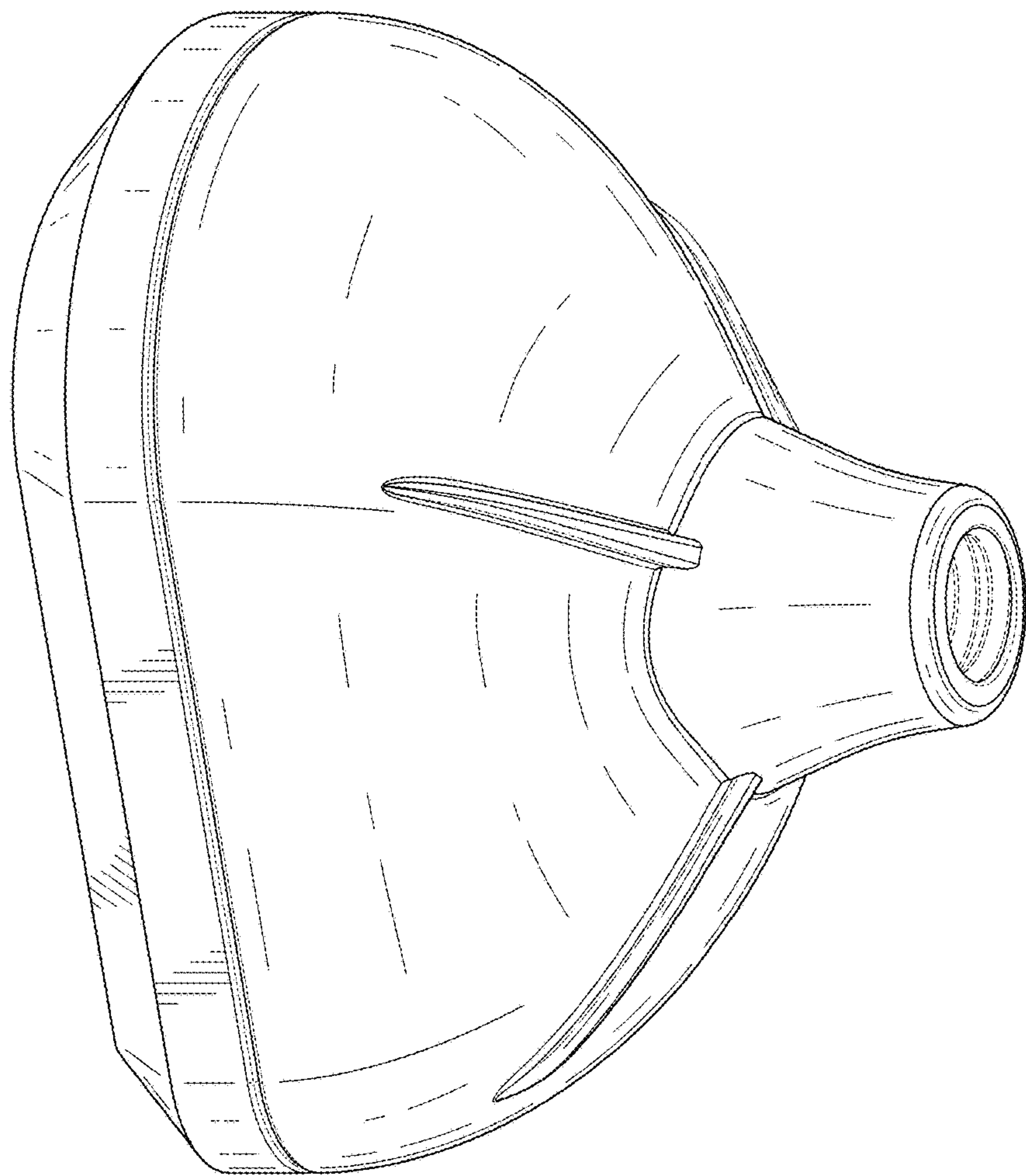


FIG. 2

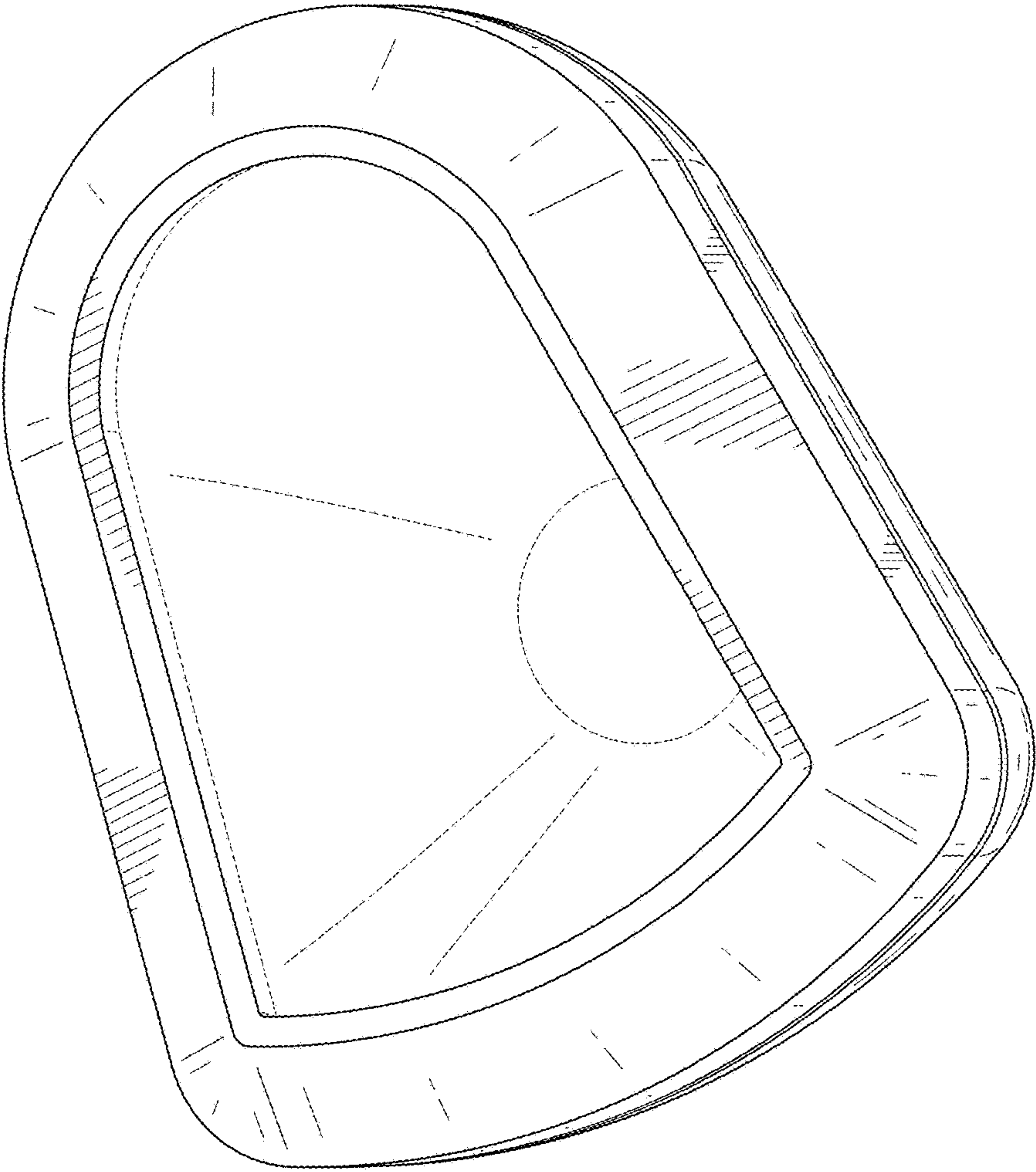


FIG. 3

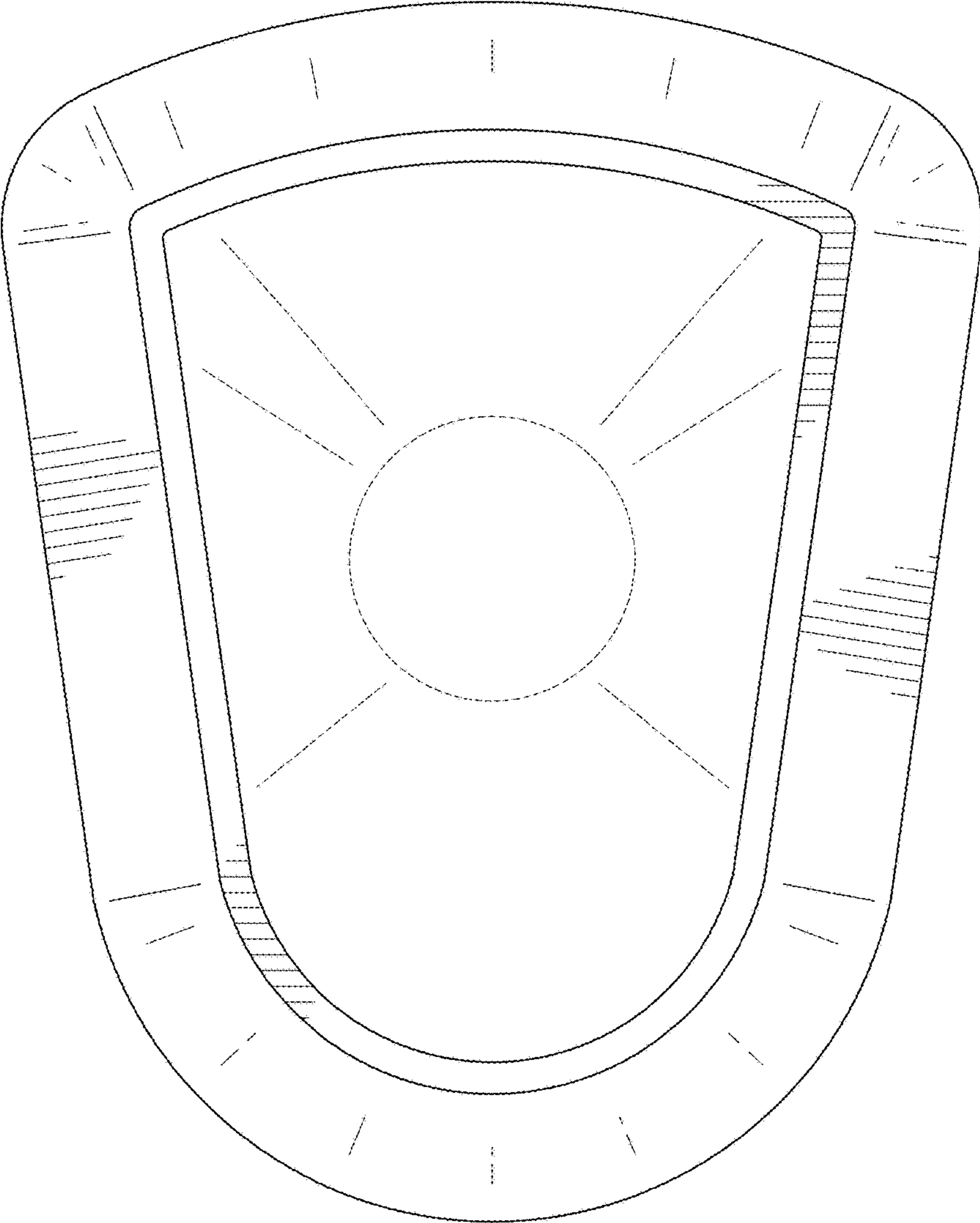


FIG. 4

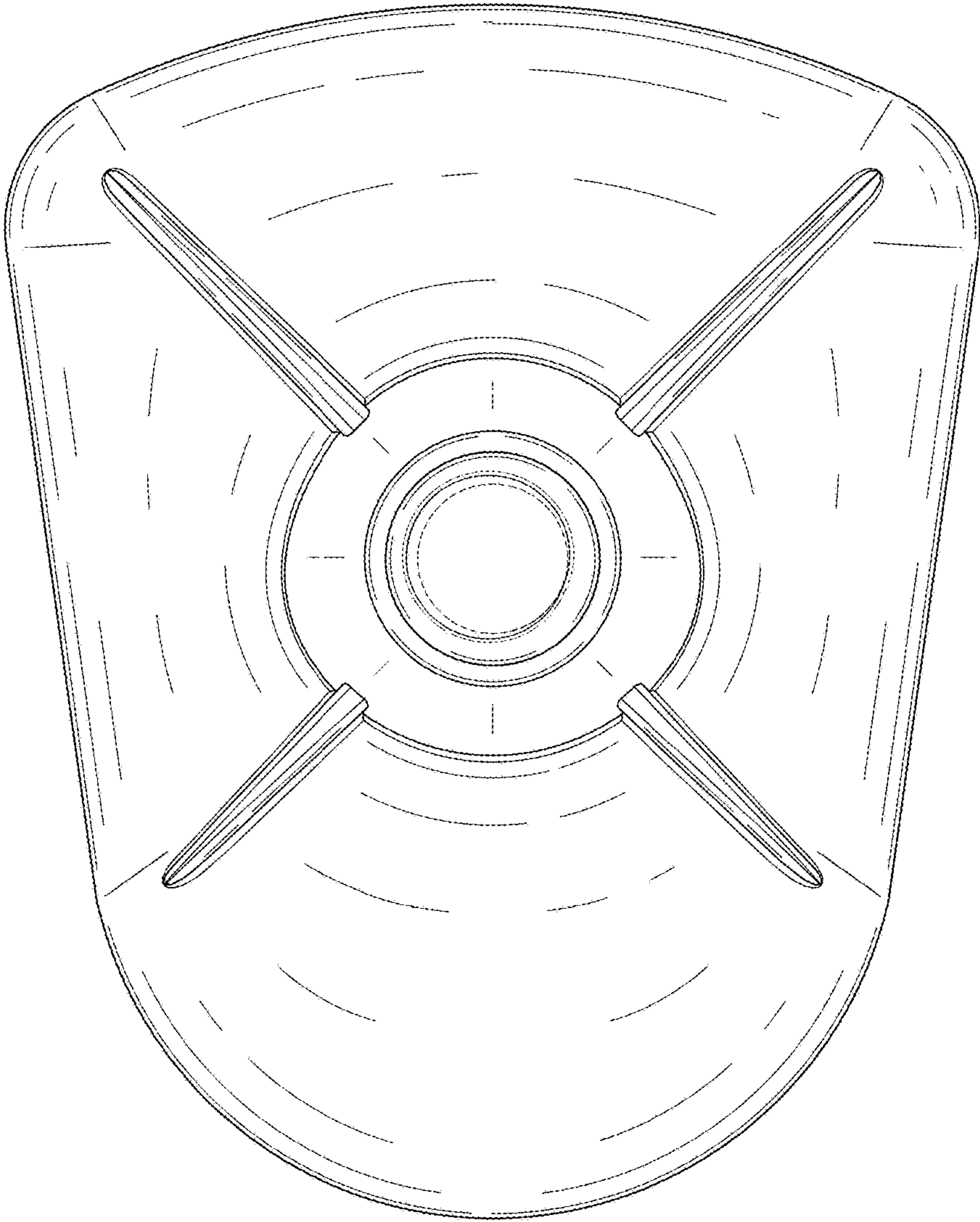


FIG. 5

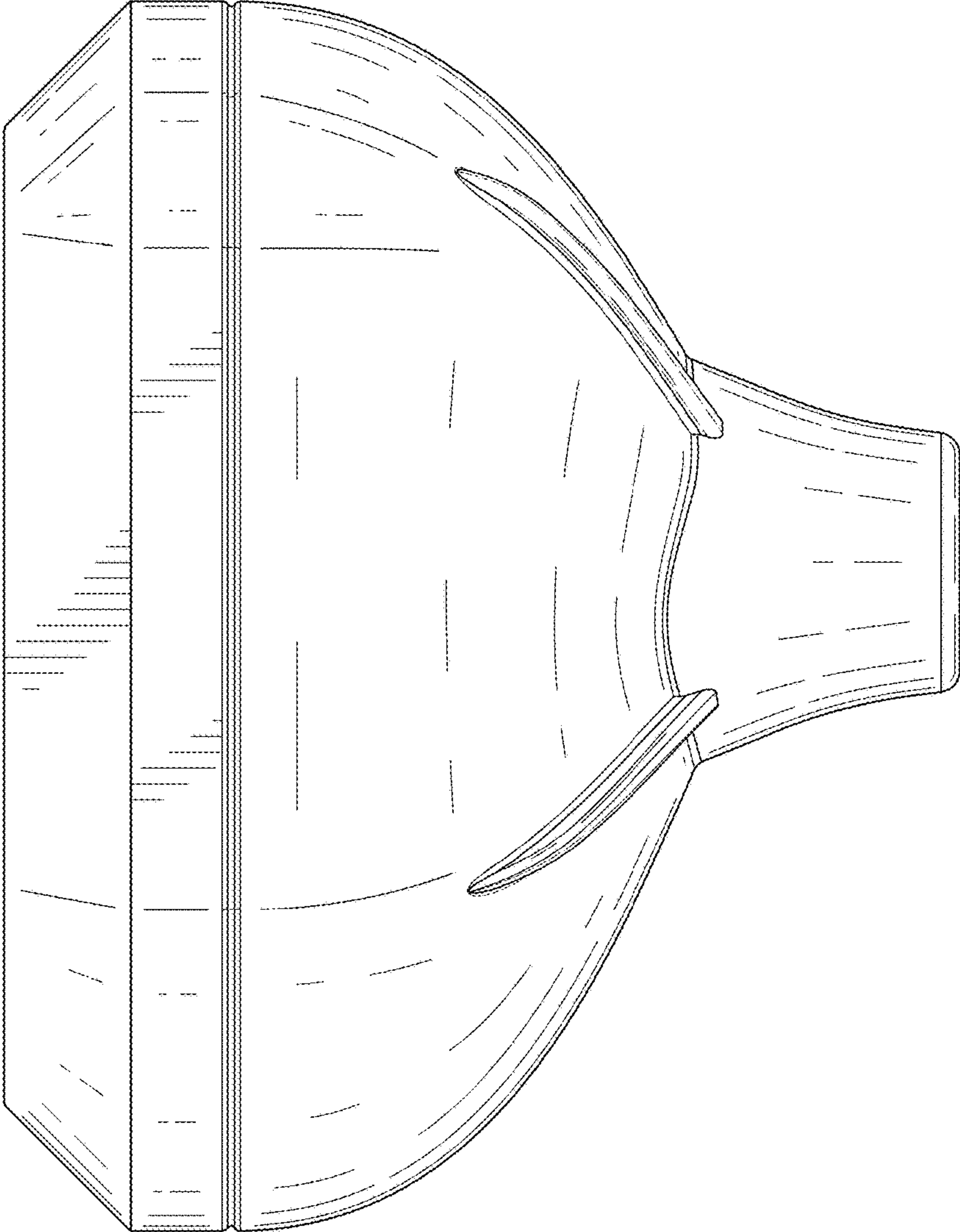


FIG. 6

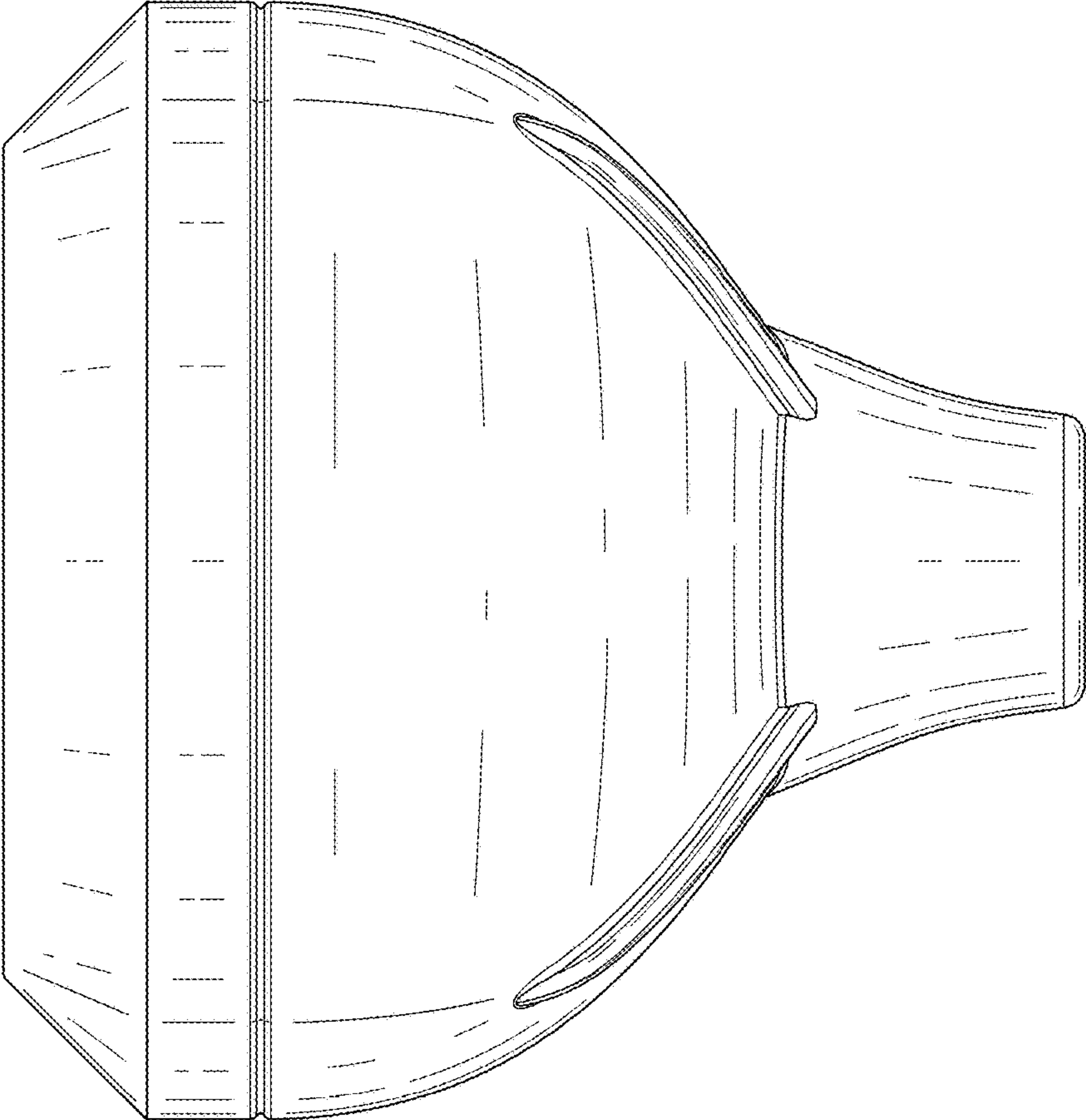


FIG. 7

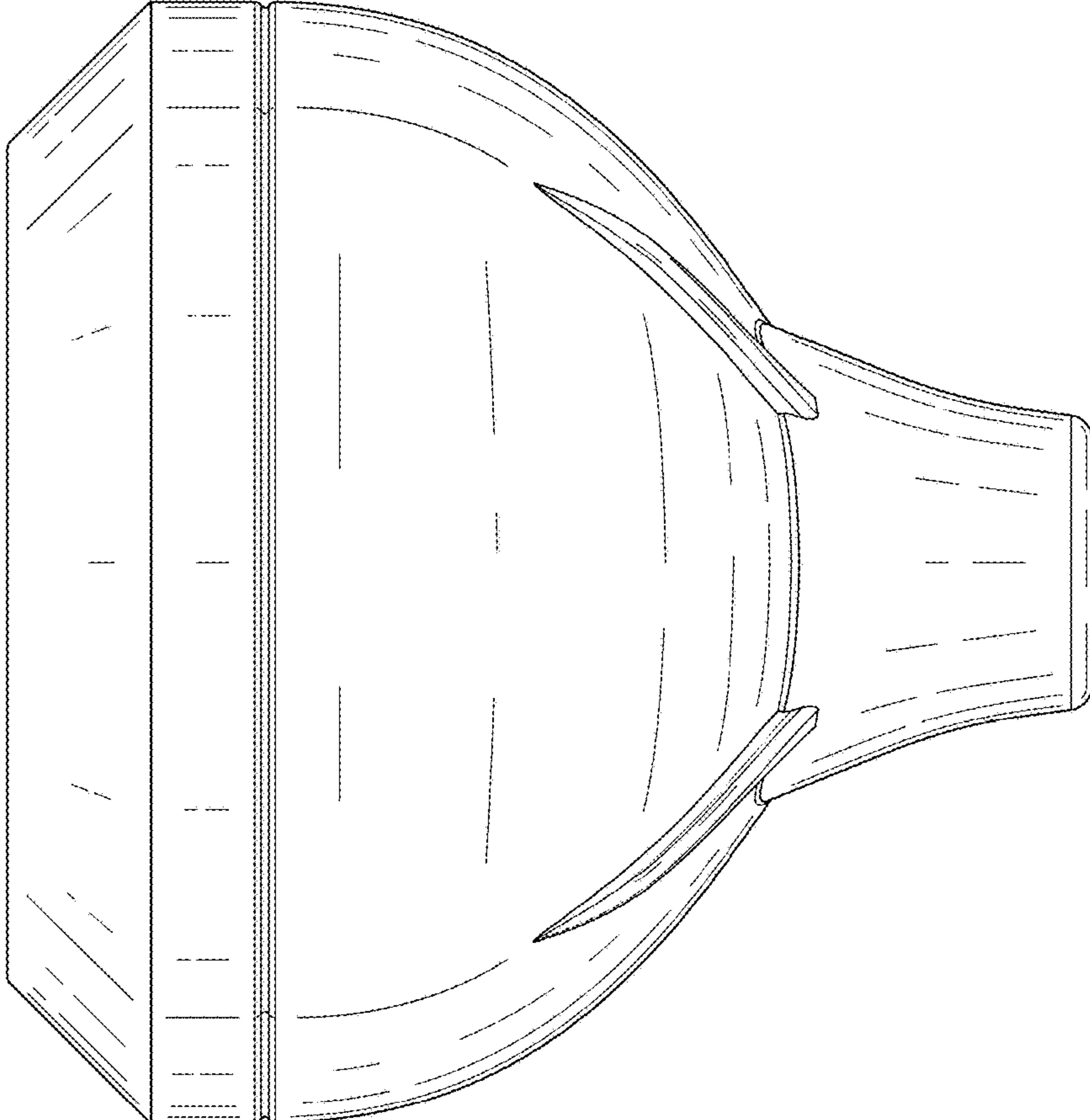


FIG. 8