



US00D851340S

(12) **United States Design Patent** (10) **Patent No.:** **US D851,340 S**  
**Metzel et al.** (45) **Date of Patent:** **\*\* Jun. 11, 2019**

(54) **PLUNGER**

(71) Applicant: **Carl Freudenberg KG**, Weinheim (DE)

(72) Inventors: **Doug Metzel**, Berwyn, IL (US);  
**Conrad Alfaro**, Bolingbrook, IL (US)

(73) Assignee: **Carl Freudenberg KG**, Weinheim (DE)

(\*\*) Term: **15 Years**

(21) Appl. No.: **29/634,158**

(22) Filed: **Jan. 18, 2018**

(51) **LOC (11) Cl.** ..... **15-05**

(52) **U.S. Cl.**  
USPC ..... **D32/14**

(58) **Field of Classification Search**  
USPC ..... D32/1, 14, 25, 35; D23/223, 224;  
D6/524  
CPC ..... D03C 1/308; A47K 11/10  
See application file for complete search history.

(56) **References Cited**

**U.S. PATENT DOCUMENTS**

D292,631 S *	11/1987	Tash .....	D32/14
D306,756 S *	3/1990	Isakson .....	D23/231
D364,251 S *	11/1995	Novak .....	D32/35
D437,463 S *	2/2001	Garay .....	D32/14
D437,667 S *	2/2001	Hwang .....	D32/35
D441,507 S *	5/2001	Gholston .....	D32/14
D448,534 S *	9/2001	Wang .....	D32/35
D454,673 S *	3/2002	Hwang .....	D32/35
D456,574 S *	4/2002	Chen .....	D32/35
D457,277 S *	5/2002	Poston .....	D32/14
D464,775 S *	10/2002	Larson .....	D32/35
D465,888 S *	11/2002	Wang .....	D32/35
D466,658 S *	12/2002	Van Dam .....	D32/14
D491,702 S *	6/2004	Tash .....	D32/14

D509,333 S *	9/2005	Tash .....	D32/35
D511,597 S *	11/2005	Morrow .....	D32/14
D514,760 S *	2/2006	Schoolcraft .....	D32/35
D535,073 S *	1/2007	Leaphart .....	D32/35
D647,671 S *	10/2011	Stein .....	D32/14
D684,325 S *	6/2013	Newman .....	D32/14
D688,840 S *	8/2013	Wu .....	D32/14
D690,959 S *	10/2013	Yang .....	D6/524
D722,210 S *	2/2015	Gwen .....	D32/14
9,631,349 B2 *	4/2017	Petner .....	E03C 1/308
2005/0172385 A1 *	8/2005	Jiang .....	E03C 1/308 4/255.05
2009/0106887 A1 *	4/2009	Dressel .....	E03C 1/308 4/255.11
2011/0016621 A1 *	1/2011	Kares .....	E03D 9/00 4/255.11
2013/0036542 A1 *	2/2013	Loughman .....	A47K 11/10 4/255.11

(Continued)

*Primary Examiner* — Michelle E. Wilson

(74) *Attorney, Agent, or Firm* — Leydig, Voit & Mayer, Ltd.

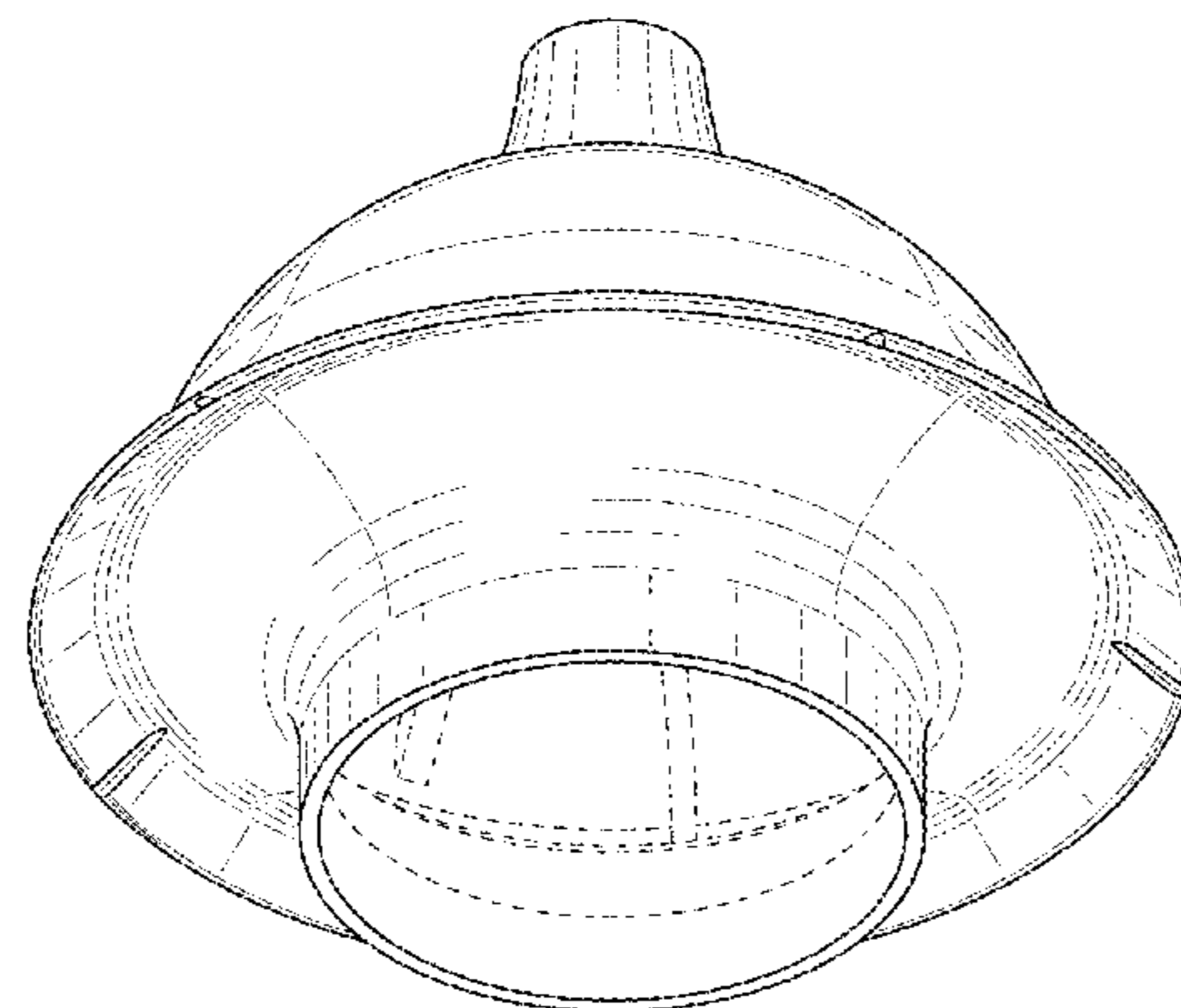
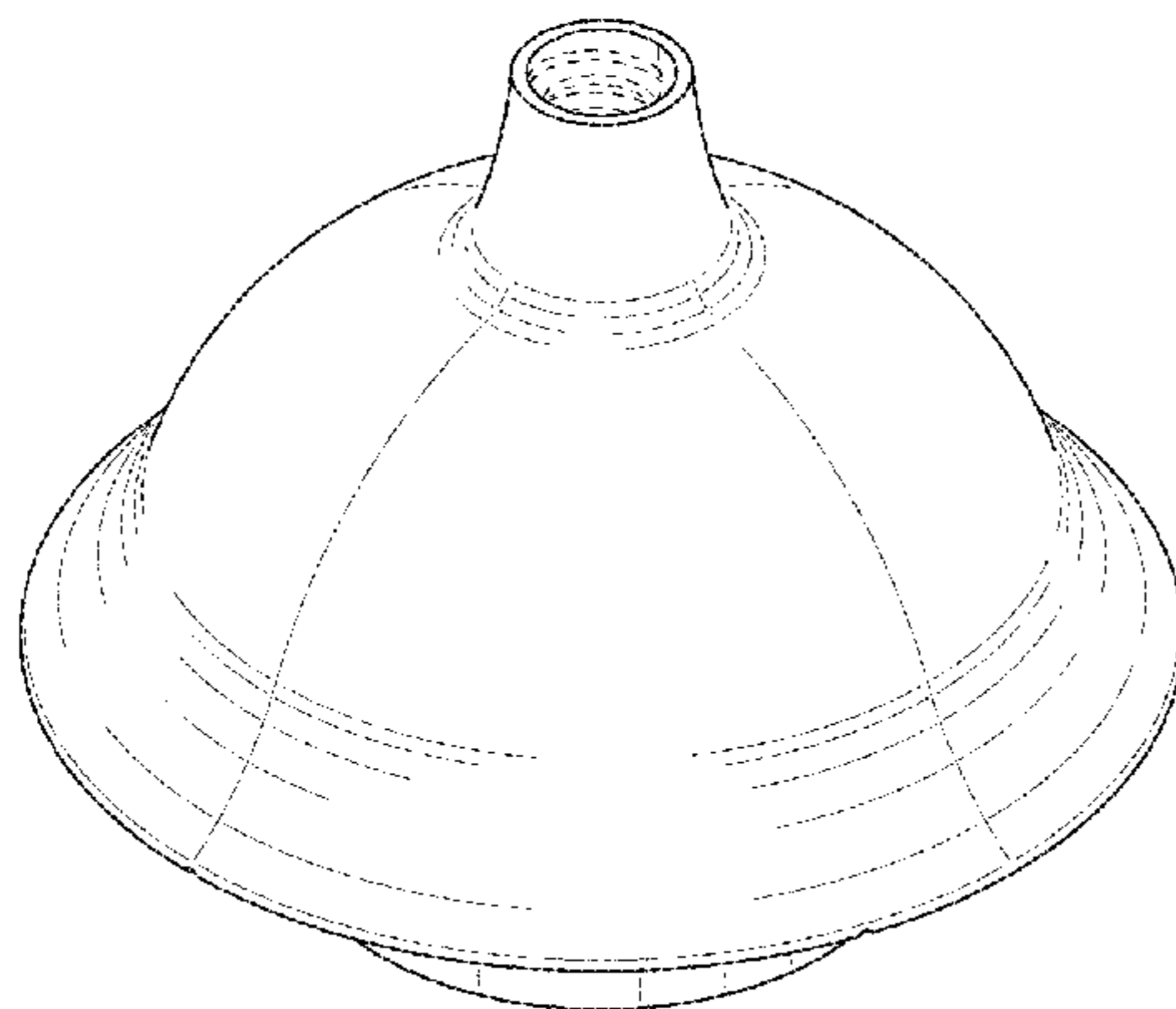
(57) **CLAIM**

The ornamental design for a plunger, as shown and described.

**DESCRIPTION**

FIG. 1 is a perspective view taken from the front and top of a plunger in accordance with our new design.  
FIG. 2 is a perspective view taken from the front and bottom of the plunger of FIG. 1.  
FIG. 3 is a right side elevational view of the plunger of FIG. 1.  
FIG. 4 is a front elevational view of the plunger of FIG. 1.  
FIG. 5 is a top plan view of the plunger of FIG. 1; and, FIG. 6 is a bottom plan view of the plunger of FIG. 1.  
The rear and left views are the same as respective front and right elevational views.

**1 Claim, 3 Drawing Sheets**



(56)

**References Cited**

U.S. PATENT DOCUMENTS

2013/0125298	A1 *	5/2013	Guthrie .....	E03D 9/00 4/255.11
2014/0033419	A1 *	2/2014	Daciw .....	E03C 1/308 4/255.11
2014/0075661	A1 *	3/2014	Zeng .....	E03D 9/00 4/255.11
2014/0115768	A1 *	5/2014	Wang .....	E03D 9/00 4/255.11
2015/0240466	A1 *	8/2015	Schultz .....	A47K 11/10 4/255.11
2016/0000281	A1 *	1/2016	Butts .....	A47G 29/08 206/581
2016/0017583	A1 *	1/2016	Petner .....	E03C 1/308 4/255.11
2016/0298322	A1 *	10/2016	Zavala .....	E03D 11/00

\* cited by examiner

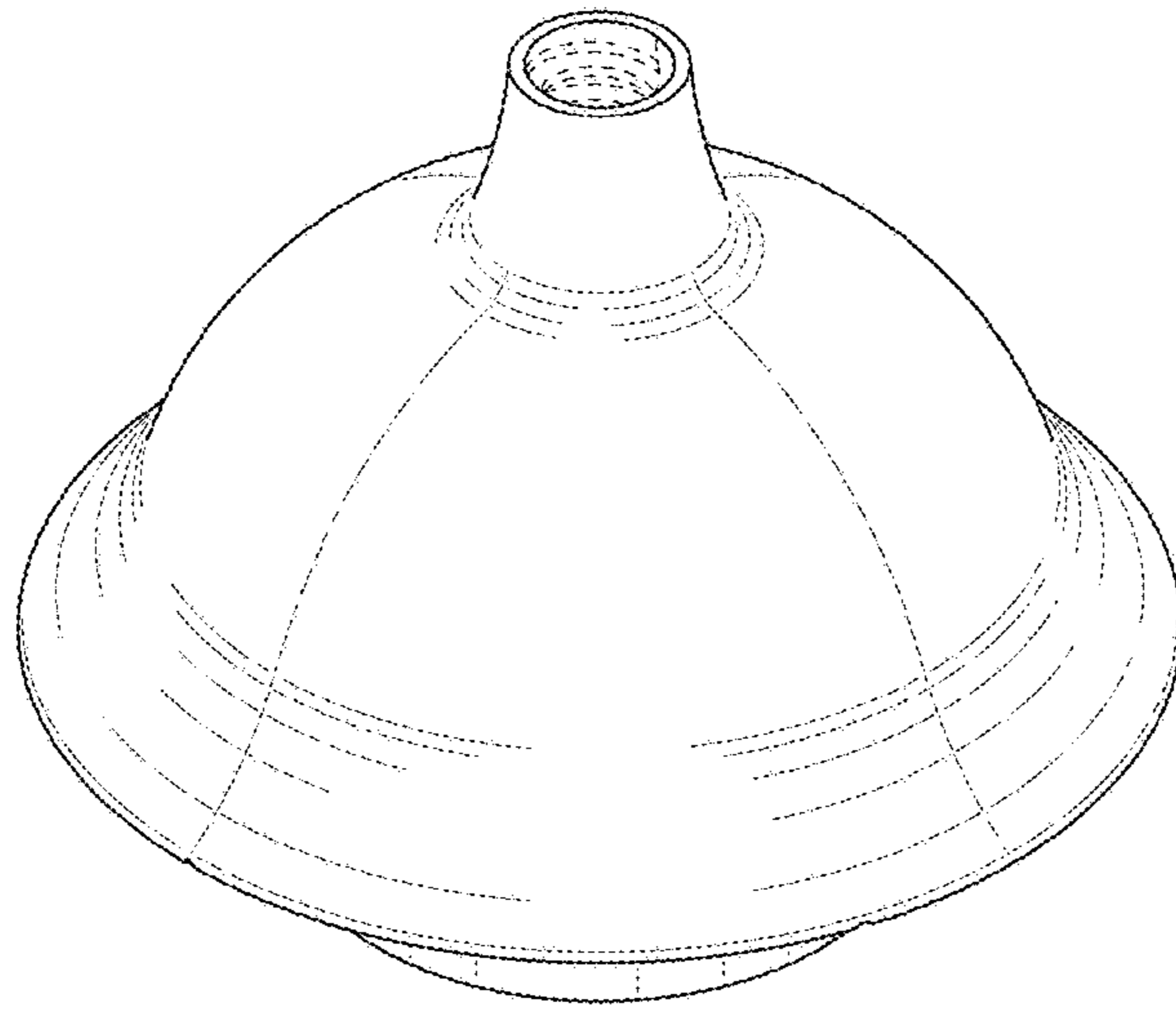


FIG. 1

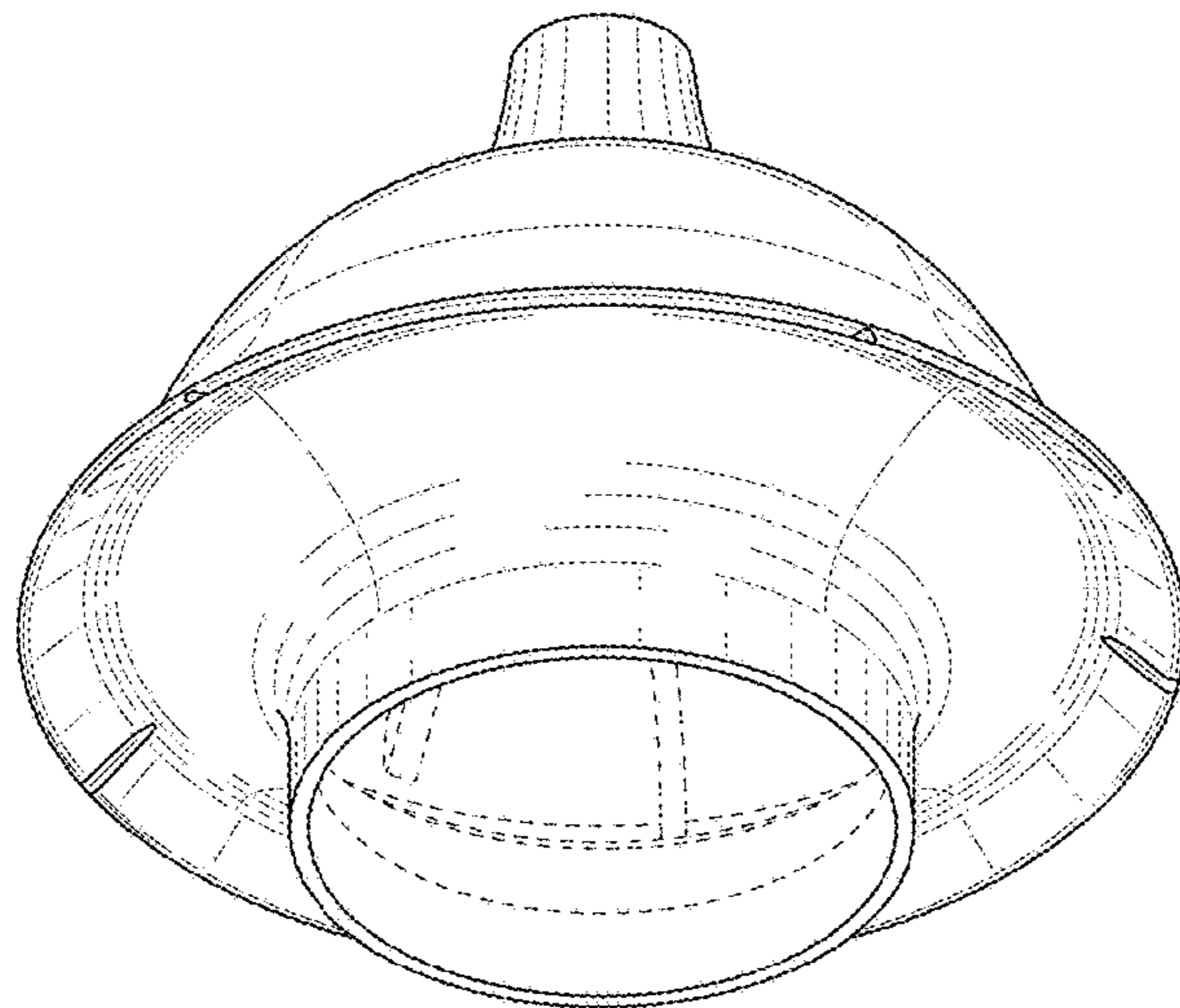


FIG. 2

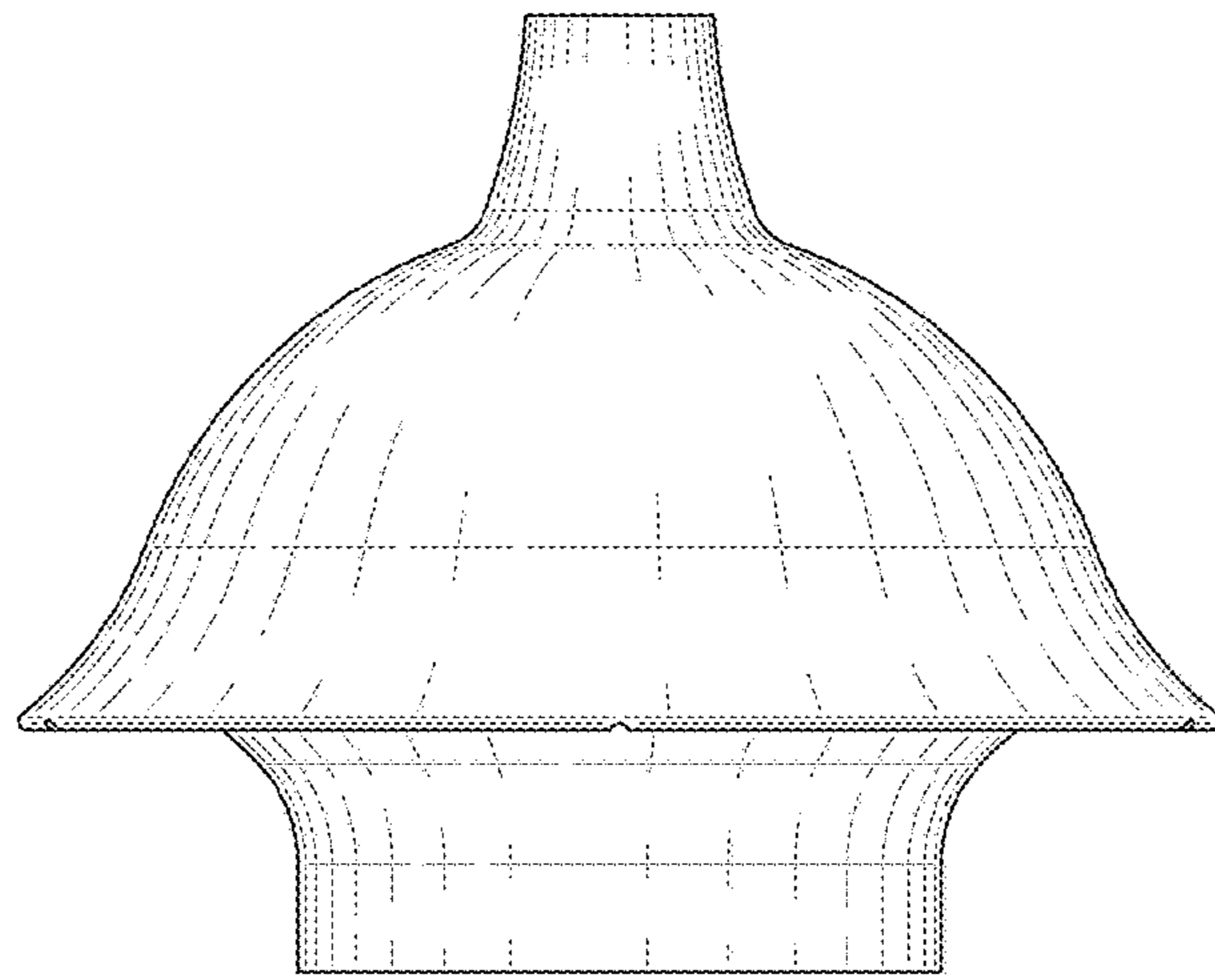


FIG. 3

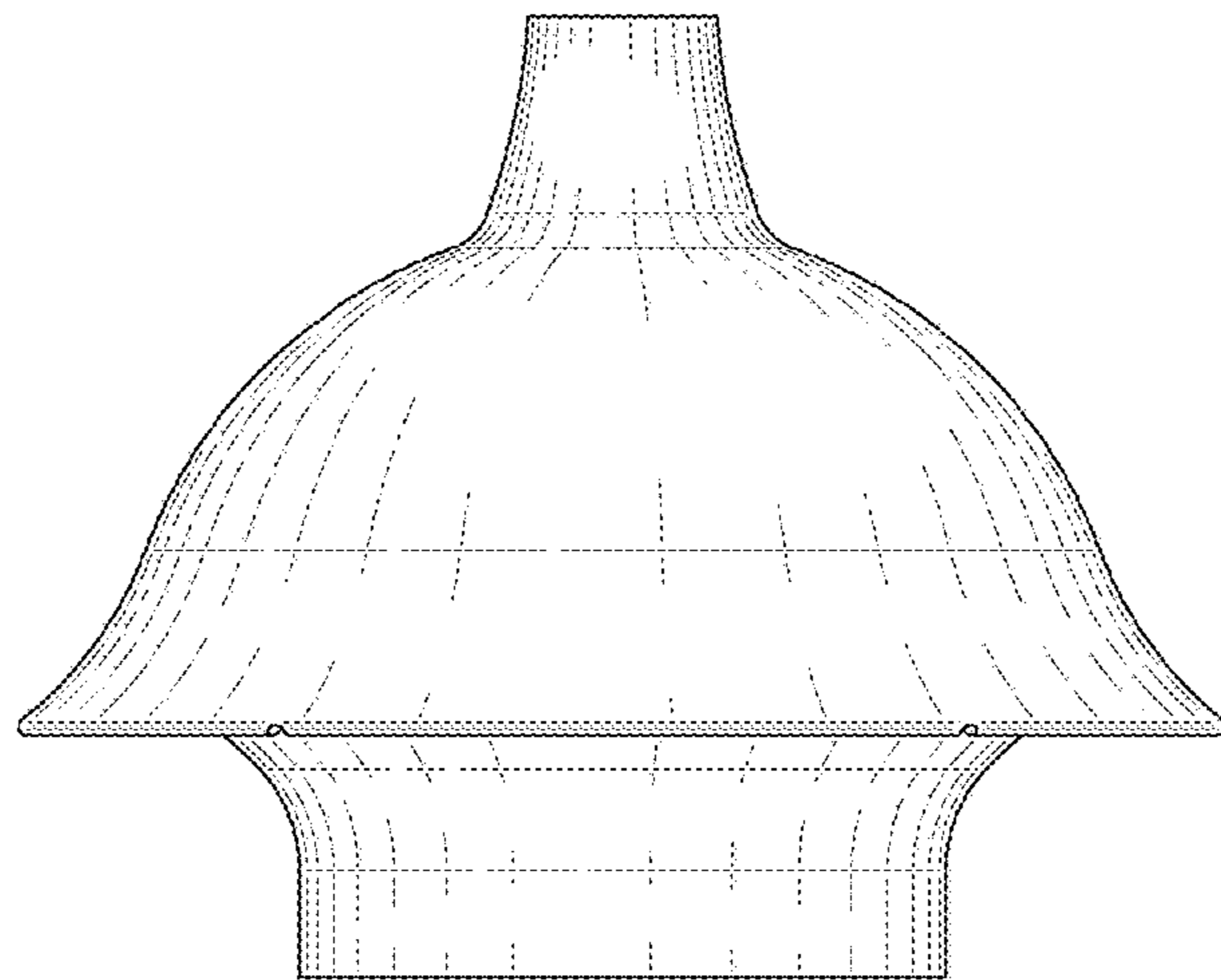


FIG. 4

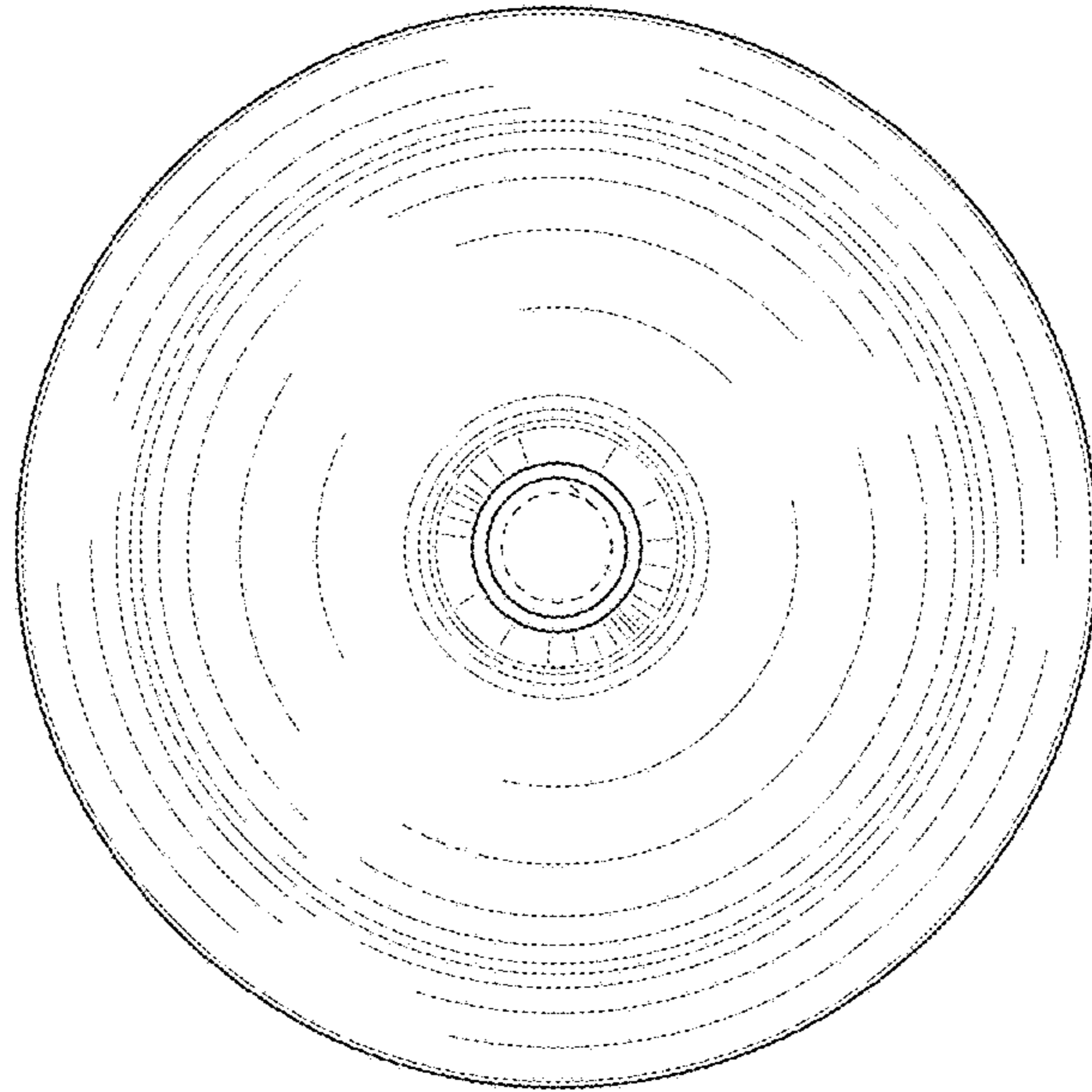


FIG. 5

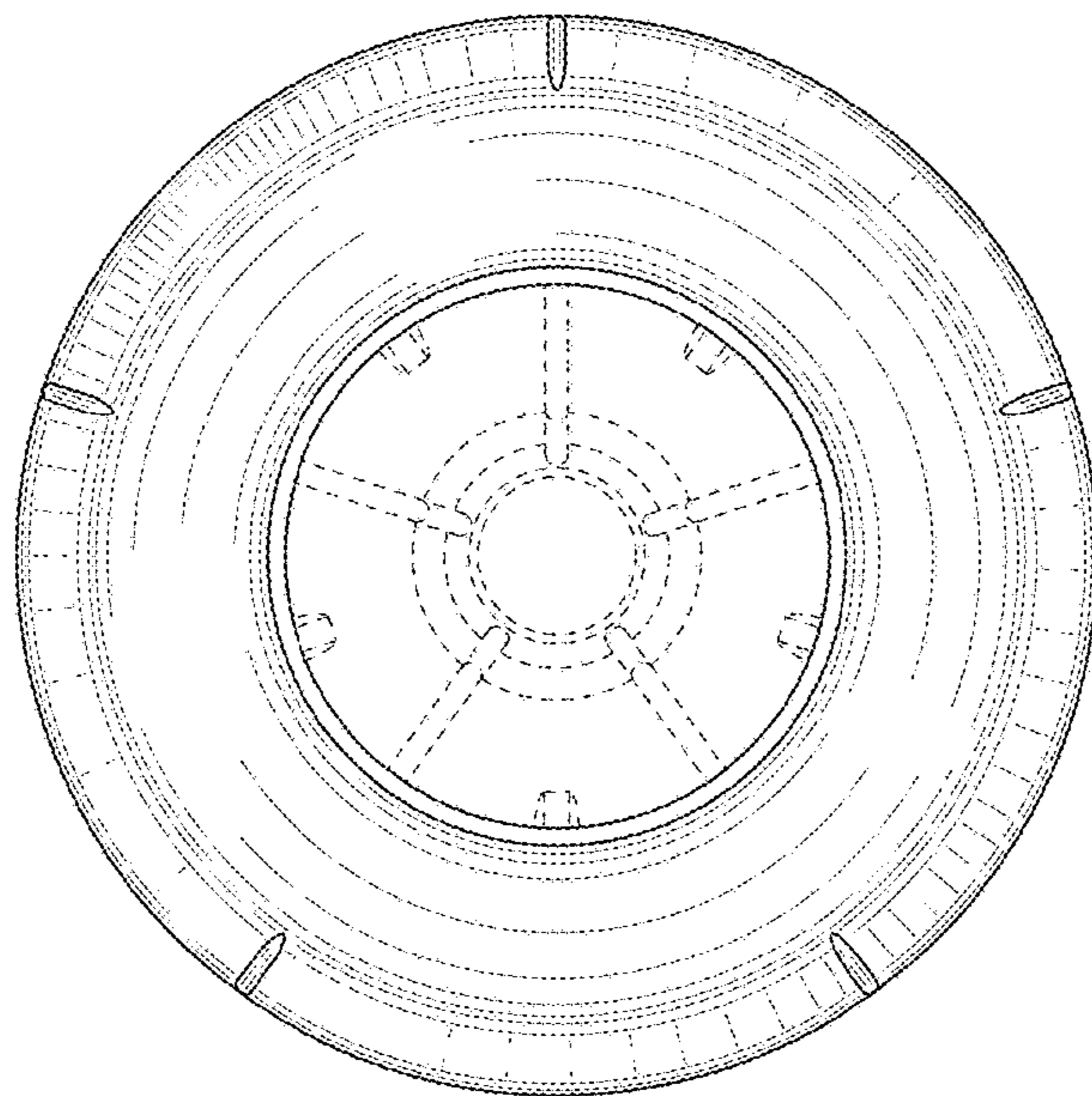


FIG. 6