



US00D851339S

(12) **United States Design Patent**  
**Solinsky et al.**

(10) **Patent No.:** **US D851,339 S**  
(45) **Date of Patent:** **\*\* Jun. 11, 2019**

(54) **DOG COLLAR**

(71) Applicant: **OnPoint Systems, LLC**, Bedford, NH (US)

(72) Inventors: **Kenneth S. Solinsky**, Bedford, NH (US); **Kristen Lomastro**, Dover, NH (US); **Xinnakone Vivathana**, Stratham, NH (US); **Michael R. Cole**, Stratham, NH (US); **Scott Sterling**, Boston, MA (US); **August Kawski**, Newburyport, MA (US)

(73) Assignee: **ONPOINT SYSTEMS, LLC**, Bedford, NH (US)

(\*\*) Term: **15 Years**

(21) Appl. No.: **29/613,369**

(22) Filed: **Aug. 9, 2017**

(51) **LOC (11) Cl.** ..... **30-04**

(52) **U.S. Cl.**  
USPC ..... **D30/152**

(58) **Field of Classification Search**  
USPC ..... D30/152, 199; D11/79, 86, 87, 200–201, D11/206–210, 214–216, 222–223, 226, D11/230–238; D10/30, 40, 70, 50, 52, D10/60, 61, 104.1, 104.2; D14/344, 242, D14/203.1, 203.3, 203.5; D24/186, 191; D16/208, 219, 201; D2/321, 624, 627, D2/639–640; 119/863; 24/178  
CPC .... A01K 11/006; A01K 11/008; A01K 13/00; A01K 15/021; A01K 15/022; A01K 27/00; A01K 27/001; A01K 27/005; A01K 27/009; A01K 27/008; A01K 27/006; A01K 29/00

See application file for complete search history.

(56) **References Cited**

**U.S. PATENT DOCUMENTS**

D330,173 S 10/1992 Juliana  
D455,358 S \* 4/2002 Mauboussin ..... D10/32

D522,187 S \* 5/2006 Nottingham ..... D30/152  
D554,540 S \* 11/2007 Actis-Datta ..... D10/38  
D579,799 S \* 11/2008 Barton ..... D10/50  
D632,853 S \* 2/2011 Hardi ..... D30/144  
7,992,525 B1 \* 8/2011 Fisher ..... A01K 27/009  
119/860  
D665,952 S \* 8/2012 Guo ..... D30/152  
D673,334 S \* 12/2012 Guo ..... D30/152  
D704,393 S 5/2014 Yohai-Giochais  
D747,566 S \* 1/2016 Pulliam ..... D30/199  
D761,499 S \* 7/2016 Pulliam ..... D30/199  
D779,989 S \* 2/2017 Lee ..... D10/70

(Continued)

**OTHER PUBLICATIONS**

Kyon collar. Product details—Specification [online]. [Retrieved on Oct. 5, 2017]. Retrieved from the Internet: <URL: www.kyontracker.com/specs.html>.

*Primary Examiner* — Barbara Fox

*Assistant Examiner* — Mary C Ramirez

(74) *Attorney, Agent, or Firm* — Verrill Dana, LLP; John W. Powell

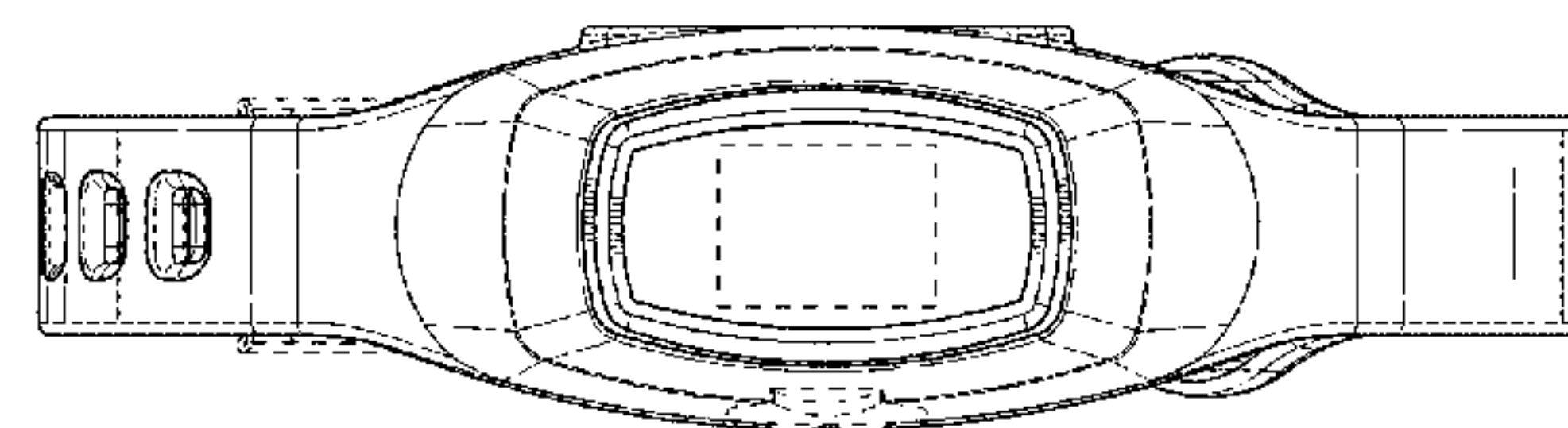
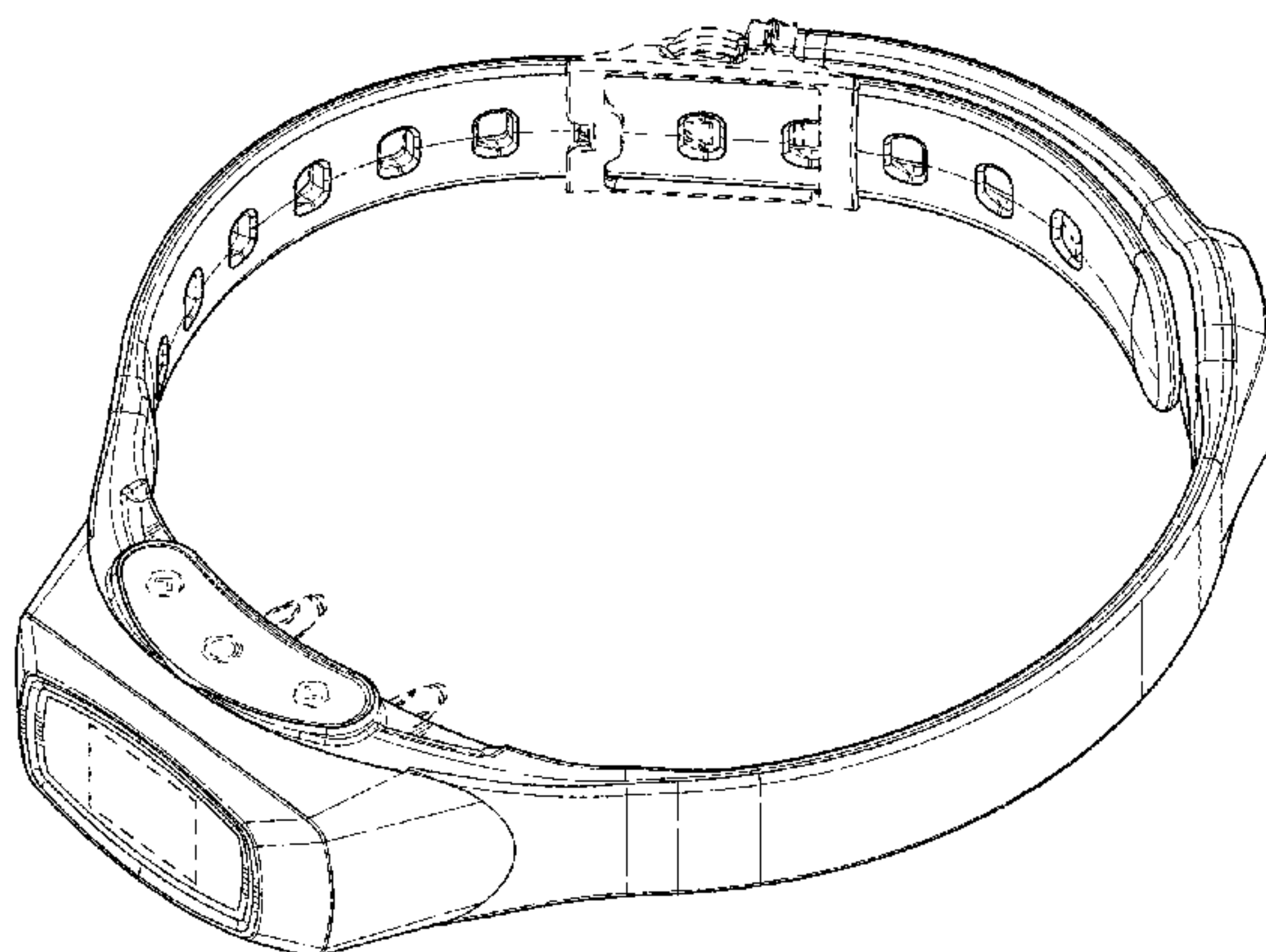
(57) **CLAIM**

We claim the ornamental design for a dog collar, as shown and described.

**DESCRIPTION**

FIG. 1 is a front perspective view of a dog collar showing the new design;  
FIG. 2 is a rear perspective view thereof;  
FIG. 3 is a front elevation view thereof;  
FIG. 4 is a left side elevation view thereof;  
FIG. 5 is a right side elevation view thereof;  
FIG. 6 is a top plan view thereof; and,  
FIG. 7 is a bottom plan view.  
The broken lines shown in the drawings depict portions of the dog collar that form no part of the claimed design.

**1 Claim, 7 Drawing Sheets**



(56)

**References Cited**

## U.S. PATENT DOCUMENTS

D787,960 S \* 5/2017 Park ..... D10/39  
9,654,925 B1 \* 5/2017 Solinsky ..... G08B 21/0261  
D795,731 S \* 8/2017 Bayley ..... D11/3  
D796,045 S \* 8/2017 Henning ..... D14/344  
D799,758 S \* 10/2017 Yohai-Giochais ..... D30/152  
9,861,080 B1 \* 1/2018 Hathway ..... A01K 27/009  
D822,915 S \* 7/2018 McKee ..... D30/152  
D836,858 S \* 12/2018 Zinn ..... D30/199  
2004/0162875 A1 \* 8/2004 Brown ..... G08B 5/223  
709/203  
2005/0242137 A1 \* 11/2005 Fishman ..... A01K 11/00  
224/221  
2007/0227465 A1 \* 10/2007 Gerig ..... A01K 15/021  
119/859  
2013/0141237 A1 \* 6/2013 Goetzl ..... A01K 15/021  
340/539.13  
2015/0040839 A1 \* 2/2015 Goetzl ..... A01K 15/023  
119/720  
2015/0099472 A1 \* 4/2015 Ickovic ..... H04B 1/385  
455/66.1  
2016/0100552 A1 \* 4/2016 So ..... A01K 15/021  
119/719  
2018/0064068 A1 \* 3/2018 McKee ..... A01K 27/009

\* cited by examiner

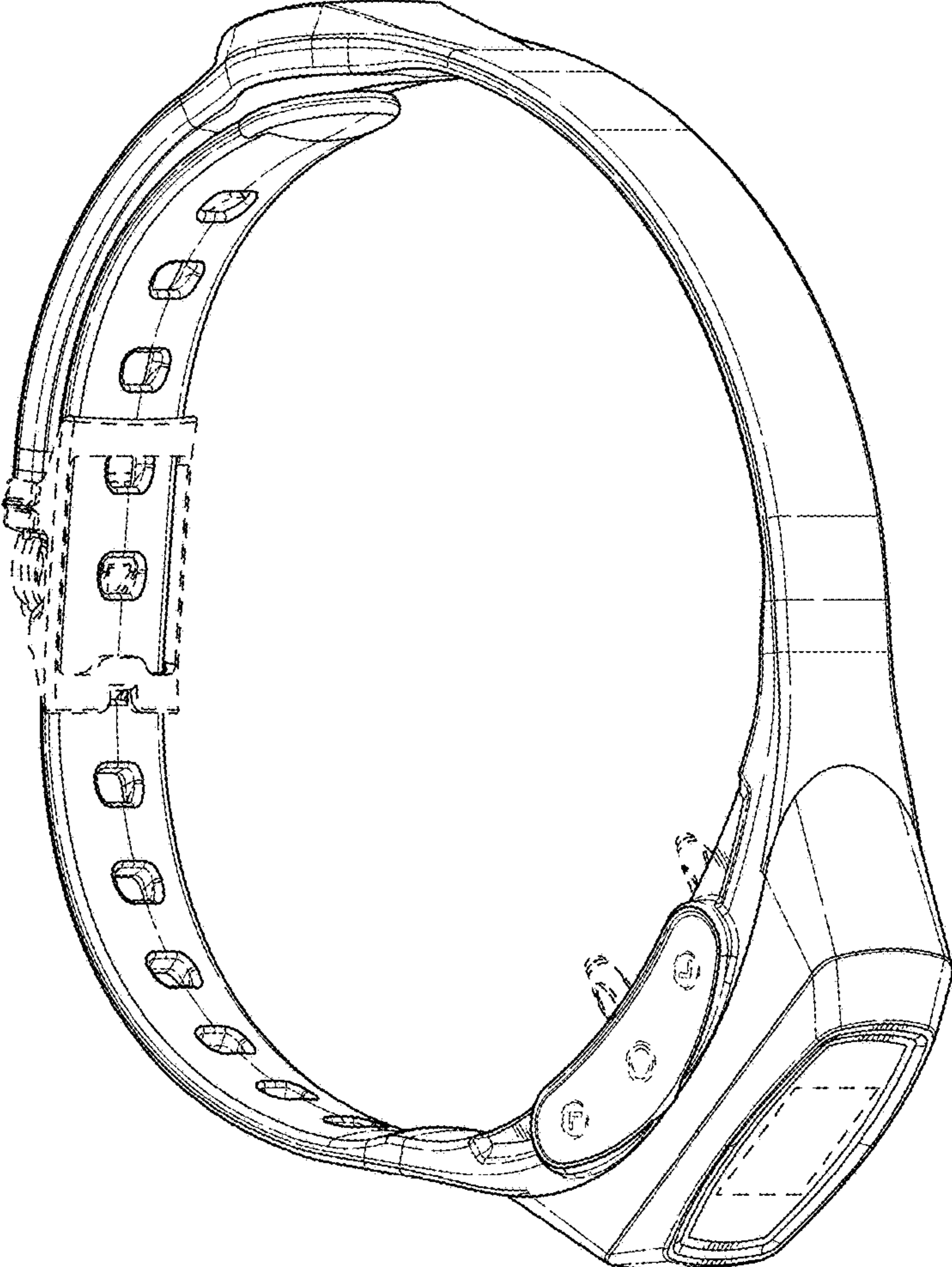


FIG. 1

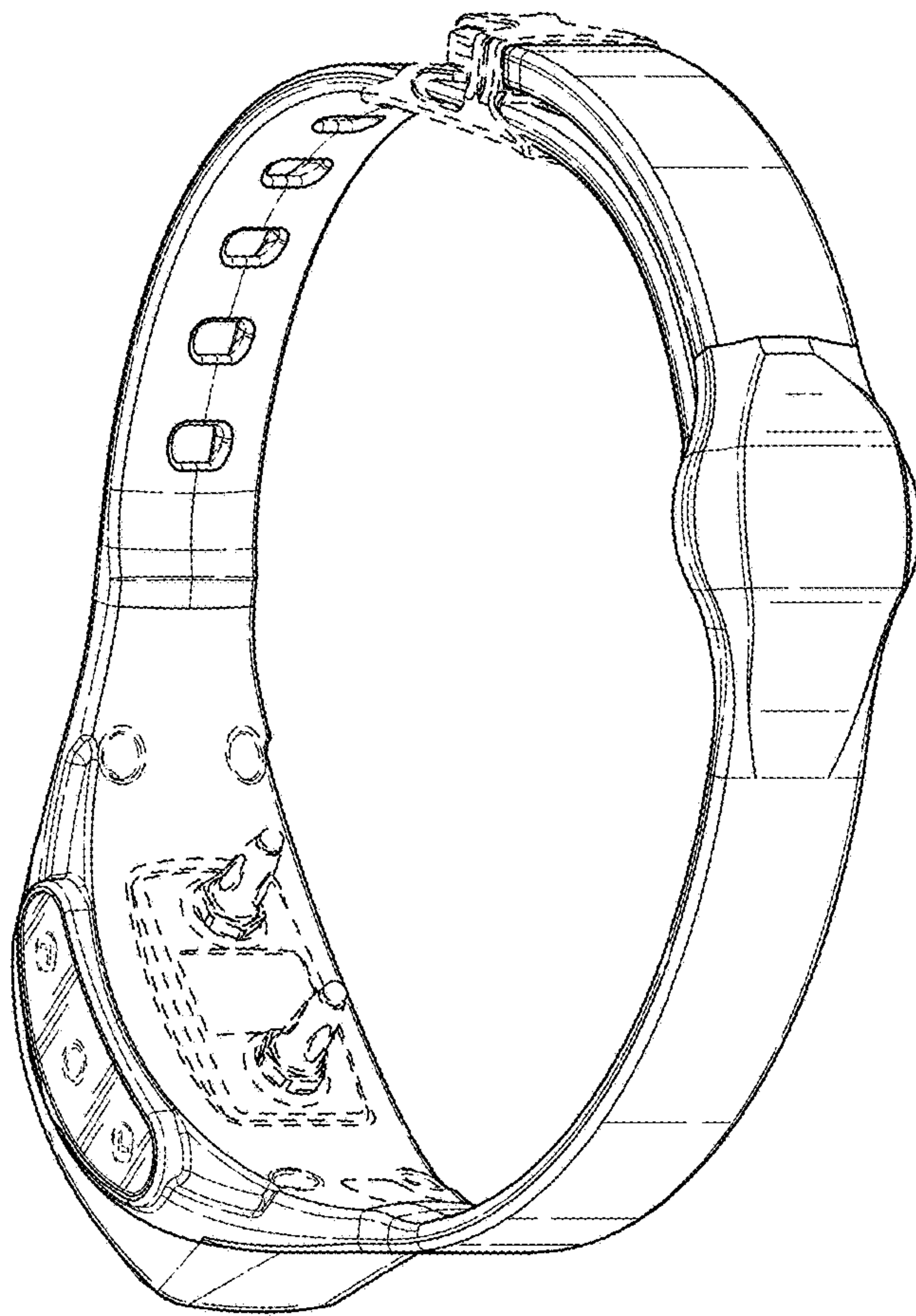


FIG. 2



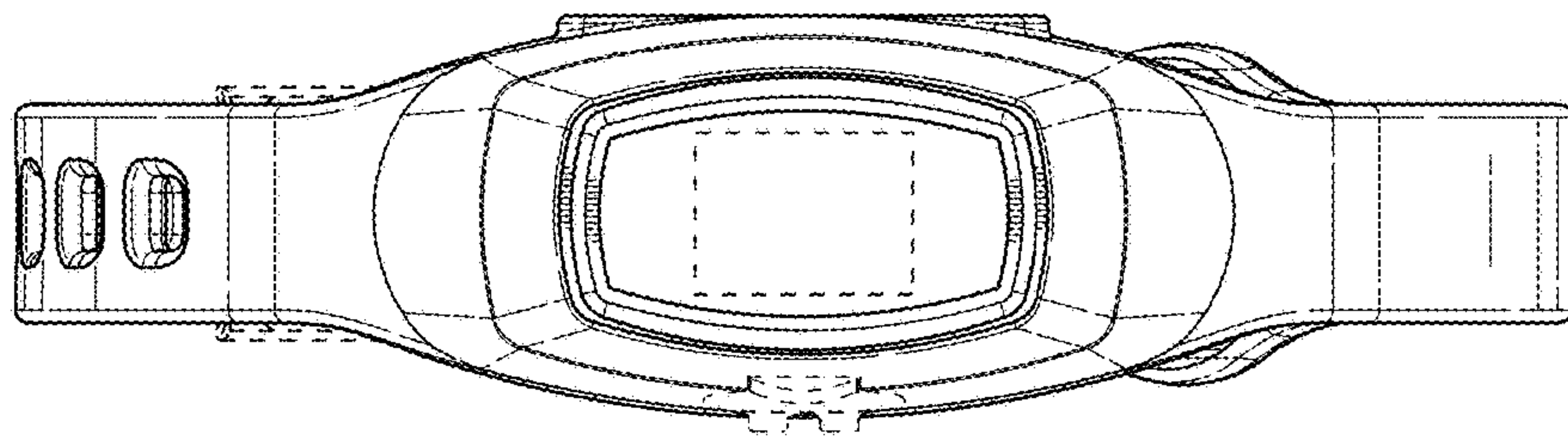


FIG. 3

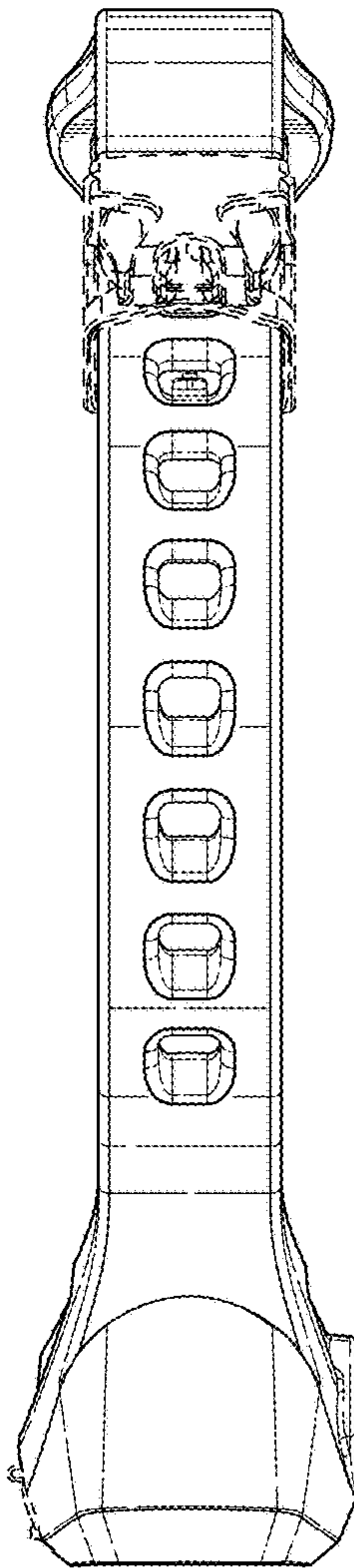


FIG. 4

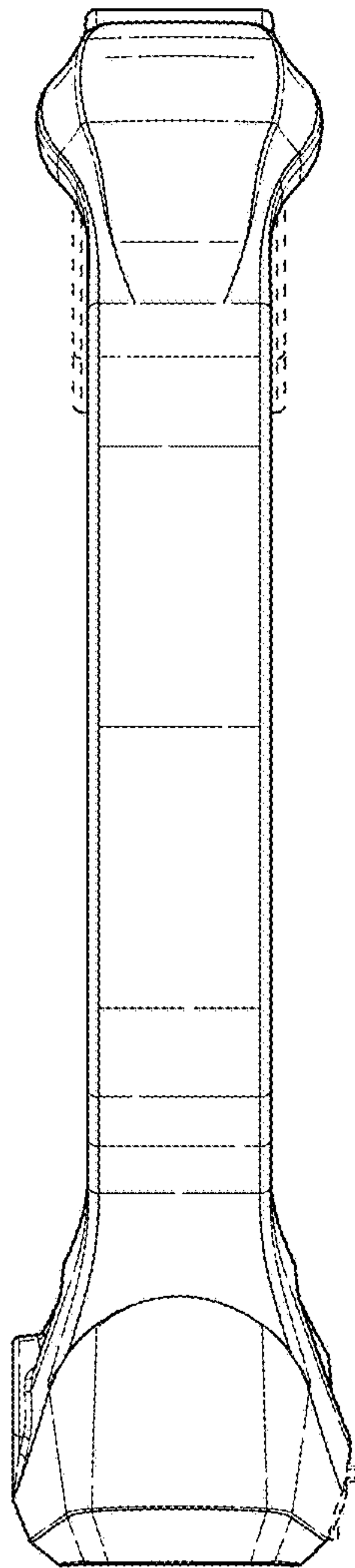


FIG. 5

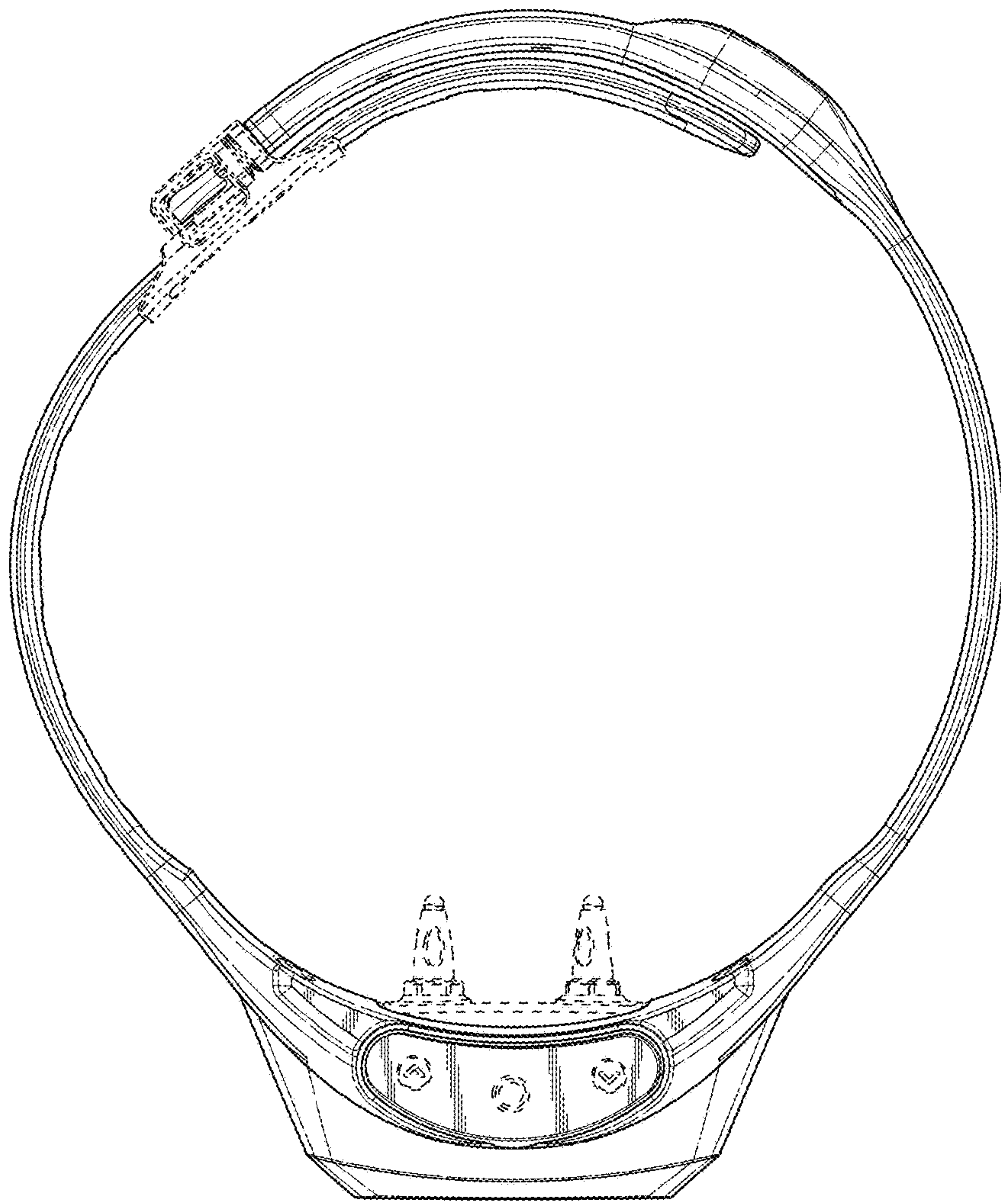


FIG. 6



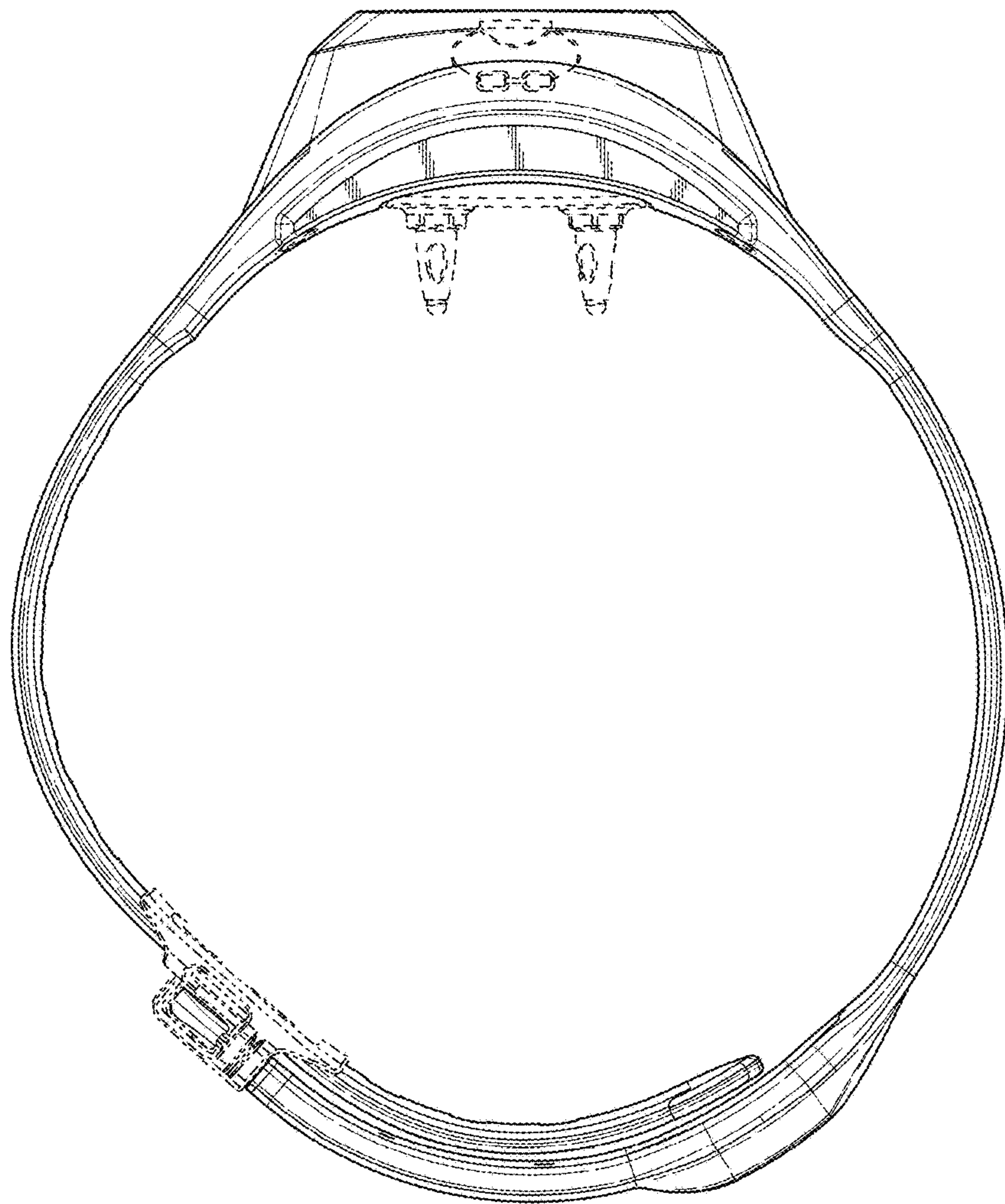


FIG. 7