



US00D851338S

(12) **United States Design Patent** (10) **Patent No.:** **US D851,338 S**
Brown (45) **Date of Patent:** **** Jun. 11, 2019**

(54) **ADJUSTABLE RECEPTACLE FOR PET FOODS AND BEVERAGES**

(71) Applicant: **Joel Brown**, North Hollywood, CA (US)

(72) Inventor: **Joel Brown**, North Hollywood, CA (US)

(**) Term: **15 Years**

(21) Appl. No.: **29/604,224**

(22) Filed: **May 16, 2017**

(51) **LOC (11) Cl.** **30-03**

(52) **U.S. Cl.**
 USPC **D30/129**; D30/121; D30/133

(58) **Field of Classification Search**
 USPC D30/121, 129-133, 151, 154, 144, 160; 119/52.1, 55, 61.5-61.57, 702-704, 712, 119/769, 768, 786-792, 429, 454, 456, 119/464, 477, 465, 467, 475, 515, 521, 119/51.01, 68, 69, 72, 74, 76, 81; D6/480-485; 248/188, 318, 320, 346.03, 248/346.06, 324, 325, 317, 176.1, 323, 248/346.01, 309.1, 310, 312, 177.1, 688, 248/596, 128, 130-132, 149, 370, 157, 248/274.1; 312/204; 108/153.1-157; D24/177; D23/292; D34/2; 4/258, 4/261-264, 275, 277, 284, DIG. 2; 433/97

CPC A01K 5/00; A01K 5/01; A01K 5/0107; A01K 5/0114; A01K 5/0121; A01K 5/0128; A01K 5/0135; A01K 7/005; A01K 7/00; A01K 1/10; A01K 1/0356; A01K 1/0135; A01K 39/014; A01K 29/00; A01K 3/00; A01K 1/04; A01K 1/0613; A01K 1/064; A01K 15/04; B65D 61/02; B65D 61/00; A47K 5/03; A24F 19/0092; A61J 19/00; A61J 19/04; A61C 17/04; A61C 17/14; Y10S 4/02

See application file for complete search history.

(56) **References Cited**

U.S. PATENT DOCUMENTS

369,174 A *	8/1887	Fletcher	A61C 17/14 4/263
586,207 A *	7/1897	Soltwedel et al.	A61J 19/04 4/260
595,532 A *	12/1897	Doyle	A61C 17/04 4/263
792,872 A *	6/1905	Alford et al.	A61C 17/14 4/263
925,998 A *	6/1909	Eggenhofer	A61J 19/04 4/266
927,307 A *	7/1909	Wilson et al.	A61J 19/00 4/281
927,722 A *	7/1909	Frambach	F21V 21/116 248/229.17

(Continued)

Primary Examiner — Susan Moon Lee
 (74) *Attorney, Agent, or Firm* — Patrick Bright

(57) **CLAIM**

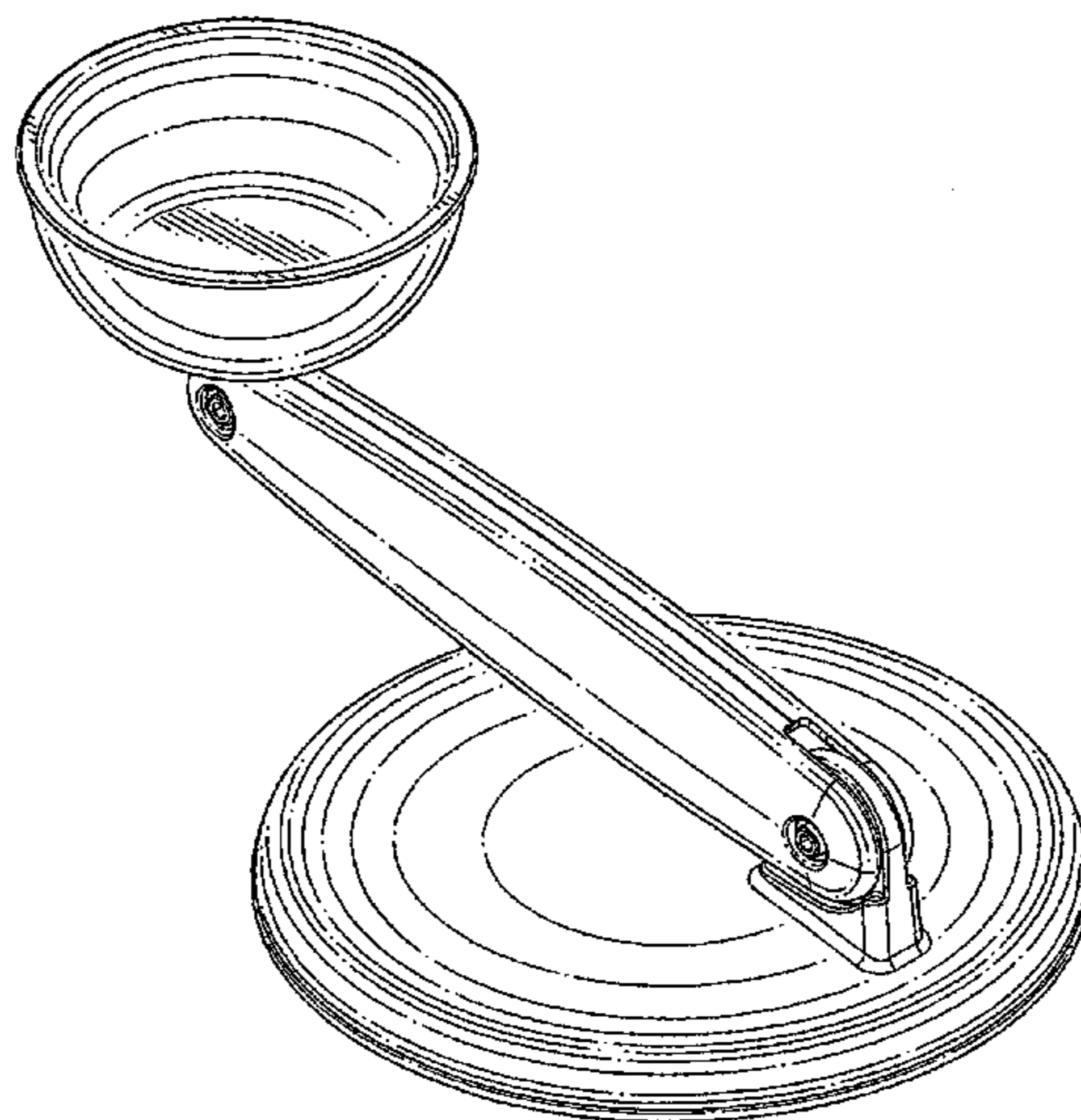
I claim the ornamental design for an adjustable receptacle for pet foods and beverages, as shown and described.

DESCRIPTION

FIG. 1 is a perspective view of an adjustable receptacle for pet foods and beverages, according to my new design; FIG. 2 is a side elevation view thereof; FIG. 3 is an opposite side elevation view thereof; FIG. 4 is an end elevation view thereof; FIG. 5 is an opposite end elevation view thereof; FIG. 6 is a top plan view thereof; and, FIG. 7 is a bottom view thereof.

The broken lines shown in FIG. 7 depict unclaimed features of the receptacle, shown for purposes of illustration, that form no part of the claimed design.

1 Claim, 6 Drawing Sheets



(56)

References Cited

U.S. PATENT DOCUMENTS

963,664 A *	7/1910	Troy	A61J 19/04	5,191,857 A *	3/1993	Boaz	A01K 39/0113
			4/266				119/52.3
1,030,722 A *	6/1912	Fowler	A61J 19/04	5,277,641 A *	1/1994	Gable	B05B 3/1021
			4/262				239/211
1,201,995 A *	10/1916	Adams	A61J 19/00	D351,692 S *	10/1994	Cossey	D30/154
			4/261	D354,135 S *	1/1995	Phleps	D23/292
1,210,428 A *	1/1917	Crisler	A61J 19/00	5,421,289 A *	6/1995	Capellaro	A01K 1/0356
			4/258				119/475
1,300,868 A *	4/1919	Pieper et al.	A61C 17/04	5,540,610 A *	7/1996	Sneddon	A63H 33/18
			4/263				446/236
1,601,230 A *	9/1926	Blair	A24F 19/0092	5,553,570 A *	9/1996	VanNatter, III	A01K 15/025
			131/241				119/51.01
1,678,375 A *	7/1928	Berssenbrugge	A24F 19/0092	D378,987 S *	4/1997	Ross	D8/356
			108/26	5,855,184 A *	1/1999	Eichler	A01K 1/0356
1,698,382 A *	1/1929	Ackerman	A61C 17/14				119/51.5
			4/271	D424,758 S *	5/2000	Akopdjanov	D30/129
1,813,837 A *	7/1931	Boland	A24F 19/0092	D469,239 S *	1/2003	Hodgdon	D1/130
			131/241	D475,504 S *	6/2003	Hodgdon	D1/130
2,217,553 A *	10/1940	Huettenrauch	A24F 19/0092	6,672,253 B1 *	1/2004	Viola	A01K 15/026
			220/620				119/709
2,331,511 A *	10/1943	Schiffman	A01M 1/2005	6,840,836 B1 *	1/2005	Siverson	A63H 33/18
			119/346				264/328.17
2,375,565 A *	5/1945	Liakopulos	A24F 19/0092	D512,541 S *	12/2005	Byrne	D30/160
			220/628	D548,409 S *	8/2007	Renforth	D21/444
2,434,360 A *	1/1948	Hess	A24F 19/0092	D560,739 S *	1/2008	Bernatz	D21/794
			248/224.8	D605,295 S *	12/2009	Albers	D24/177
2,484,263 A *	10/1949	Atkinson	A01K 1/04	D637,362 S *	5/2011	Gunn	D30/121
			119/61.57	8,001,931 B2 *	8/2011	Deese	A01K 5/0142
2,654,346 A *	10/1953	Goff	A01K 39/02				119/51.01
			119/72	8,146,534 B1 *	4/2012	Robertson	A01K 7/005
2,681,200 A *	6/1954	Bisson	A24F 19/0092				119/61.54
			131/231	D682,483 S *	5/2013	Silverman	D30/129
D177,053 S *	3/1956	Kofford	D23/293.1	9,089,112 B2 *	7/2015	Binothman	A01K 31/12
2,950,836 A *	8/1960	Murdock	A24F 19/0092	9,930,865 B1 *	4/2018	Hunt	A01K 5/0114
			131/241	2003/0172879 A1 *	9/2003	Bader	A01K 5/0114
D208,304 S *	8/1967	Krantz	D24/177				119/709
3,359,575 A *	12/1967	Nielsen	A61C 17/14	2005/0034681 A1 *	2/2005	Block	A01K 15/025
			4/263				119/707
3,359,678 A *	12/1967	Headrick	A63H 33/18	2005/0072366 A1 *	4/2005	Hammer	A01K 5/0114
			446/46				119/61.57
3,418,714 A *	12/1968	Pietschmann	A61C 17/14	2006/0060742 A1 *	3/2006	Kumar	A47K 5/03
			4/263				248/318
D225,855 S *	1/1973	Kratz	D24/177	2008/0216753 A1 *	9/2008	Wang	A01K 5/0114
D225,999 S *	1/1973	Kratz	D24/177				119/61.1
4,061,038 A *	12/1977	Clarke, Jr.	G01F 19/00	2011/0297562 A1 *	12/2011	Robbins	A47K 5/03
			220/752				206/216
4,204,501 A *	5/1980	Karlsson	A01K 7/06	2012/0325158 A1 *	12/2012	Holman	A01K 1/035
			119/72				119/61.54
D258,007 S *	1/1981	Schmidt	D24/177	2013/0233247 A1 *	9/2013	Boyden	A01K 5/0114
D261,465 S *	10/1981	Minchew	D30/130				119/51.5
4,399,772 A *	8/1983	Salinas	A01K 5/0142	2013/0247829 A1 *	9/2013	Taneja	A01K 5/0291
			119/51.5				119/51.11
D277,503 S *	2/1985	Truette	D24/177	2013/0334377 A1 *	12/2013	Lee	A01K 5/0114
D295,091 S *	4/1988	Swartzendruber	D30/132				248/146
4,802,875 A *	2/1989	Cunningham	A63H 33/18	2015/0069209 A1 *	3/2015	Hsieh	F21S 6/003
			446/228				248/688
4,906,007 A *	3/1990	Mitchell	A63H 33/18	2016/0000043 A1 *	1/2016	Parness	A01K 15/025
			473/589				119/51.01
5,031,249 A *	7/1991	Sargent	B60R 15/04	2016/0037748 A1 *	2/2016	Taneja	A01K 5/0291
			4/321				119/51.11
				2016/0302482 A1 *	10/2016	O'Loughlin	A24F 19/0092
				2017/0127648 A1 *	5/2017	O'Donnell	A01K 5/0114
				2017/0164579 A1 *	6/2017	McKiness	A01K 5/0114

* cited by examiner

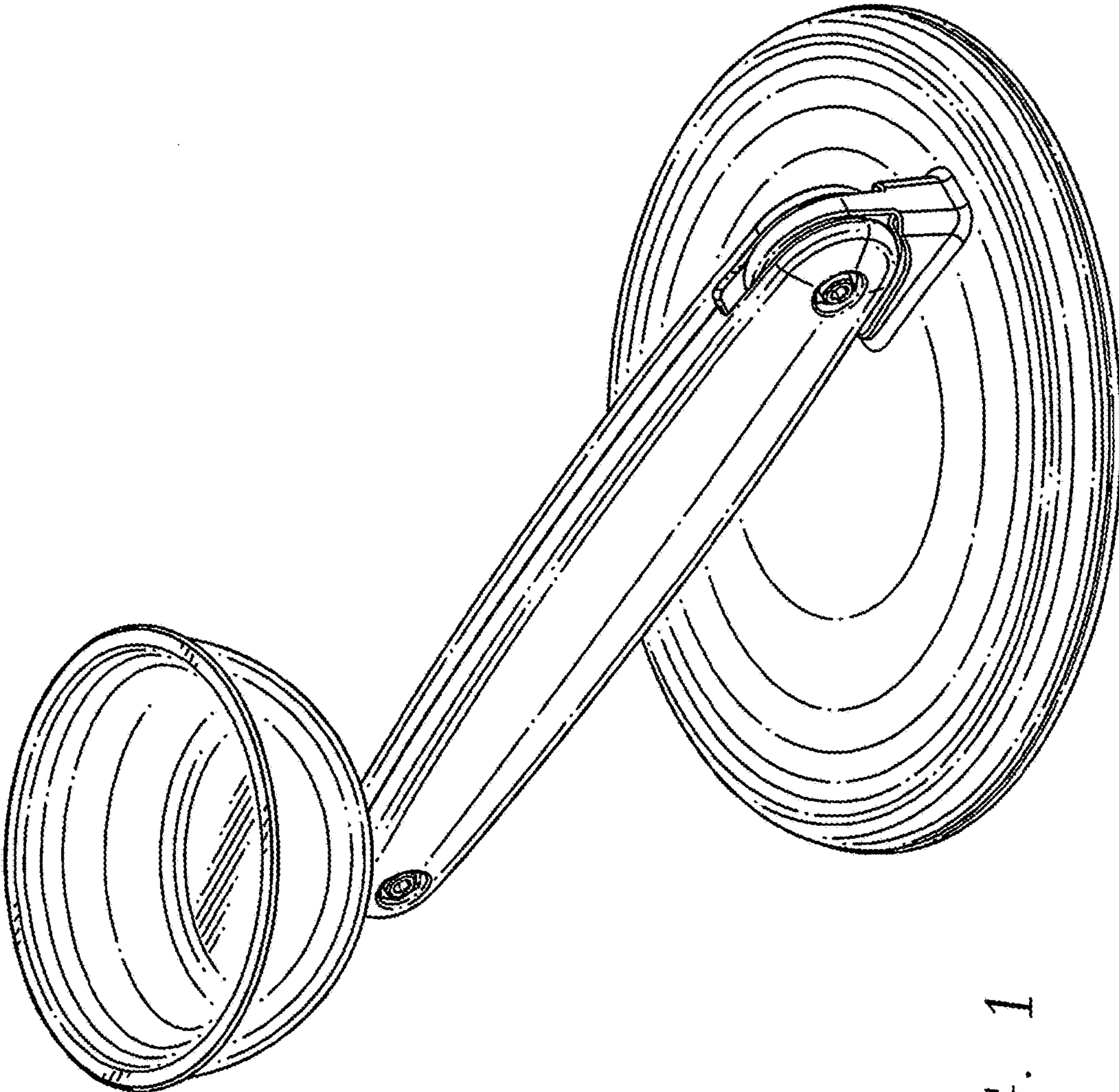


FIG. 1

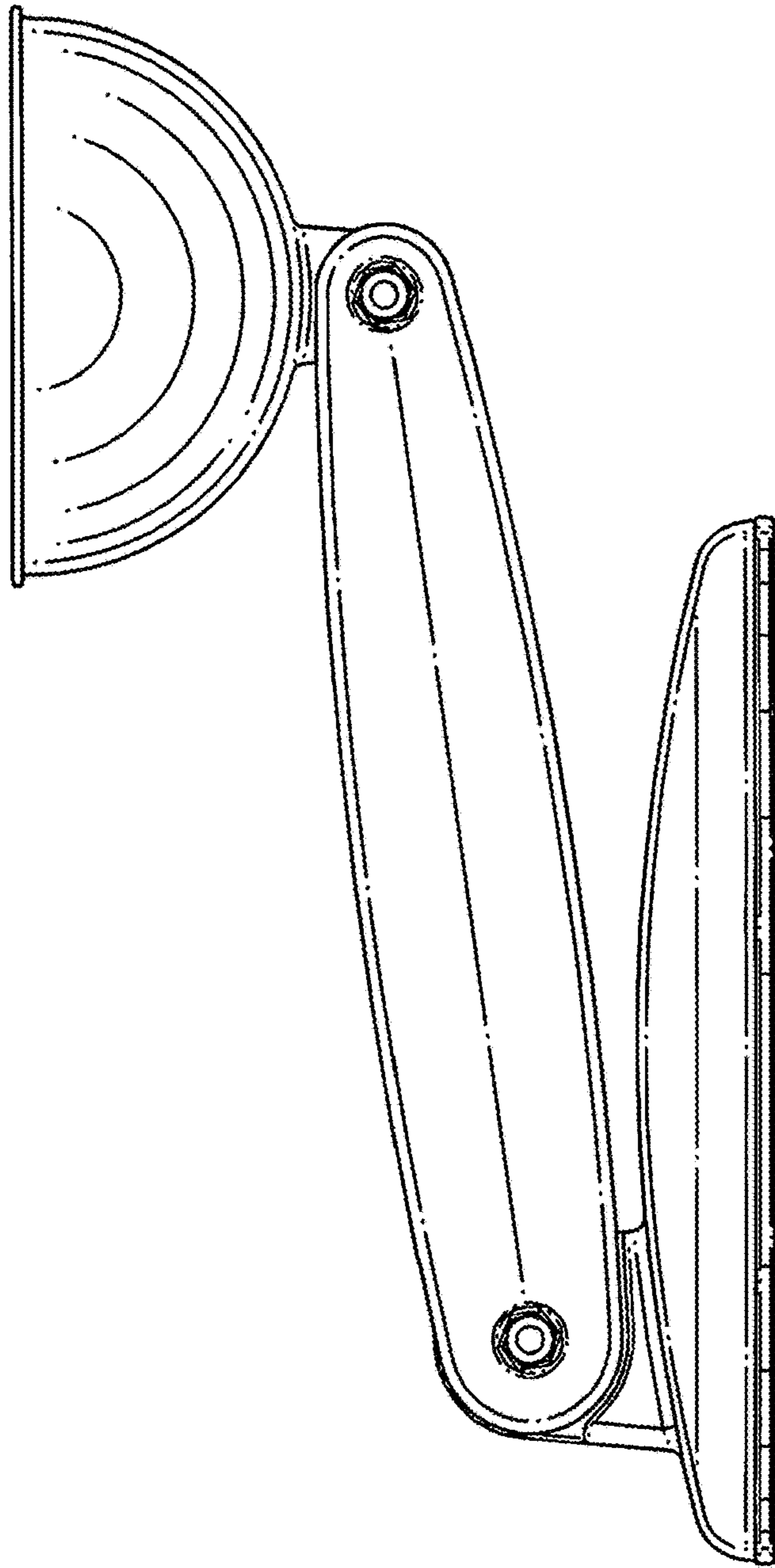


FIG. 2

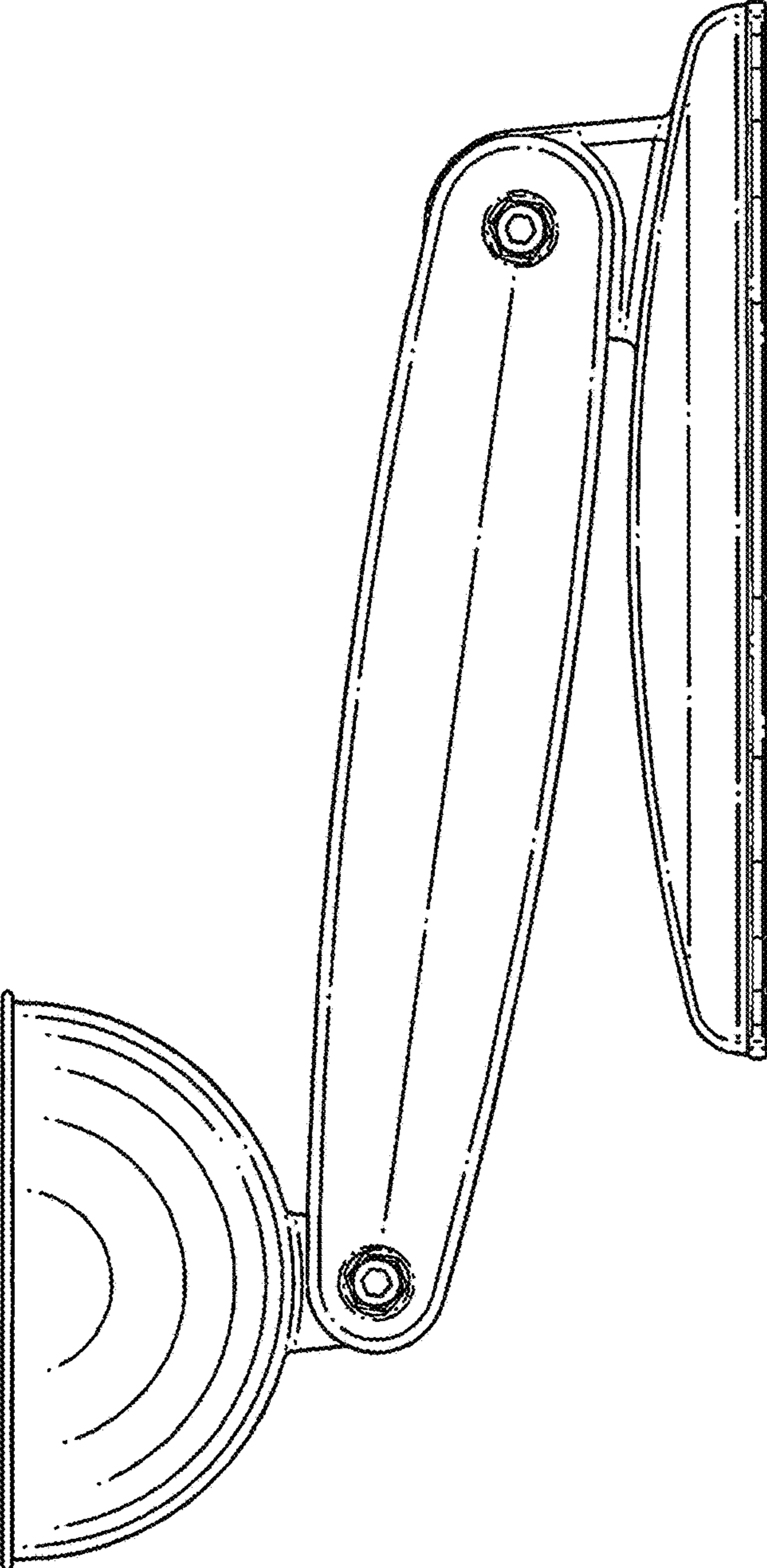


FIG. 3

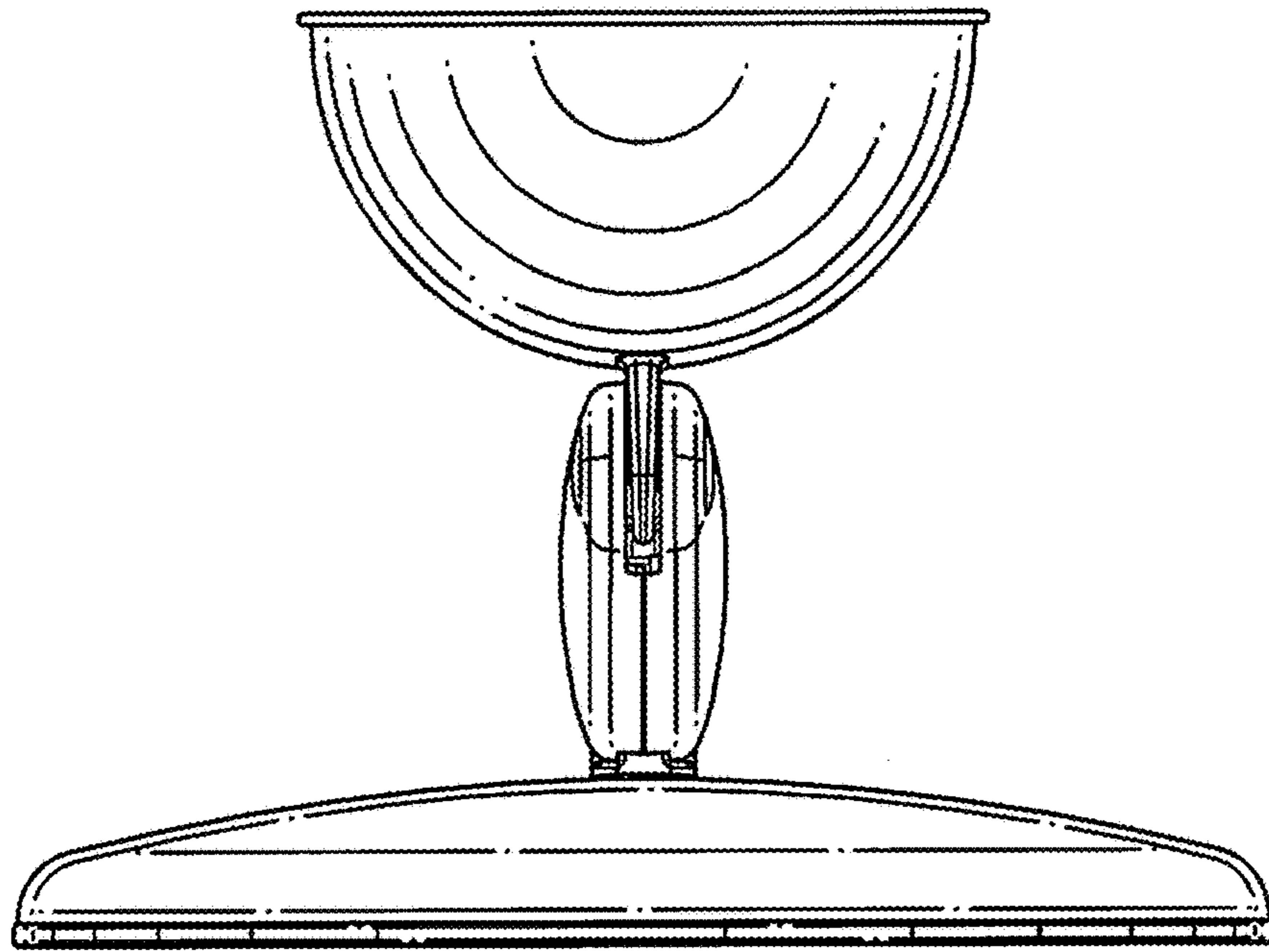


FIG. 4

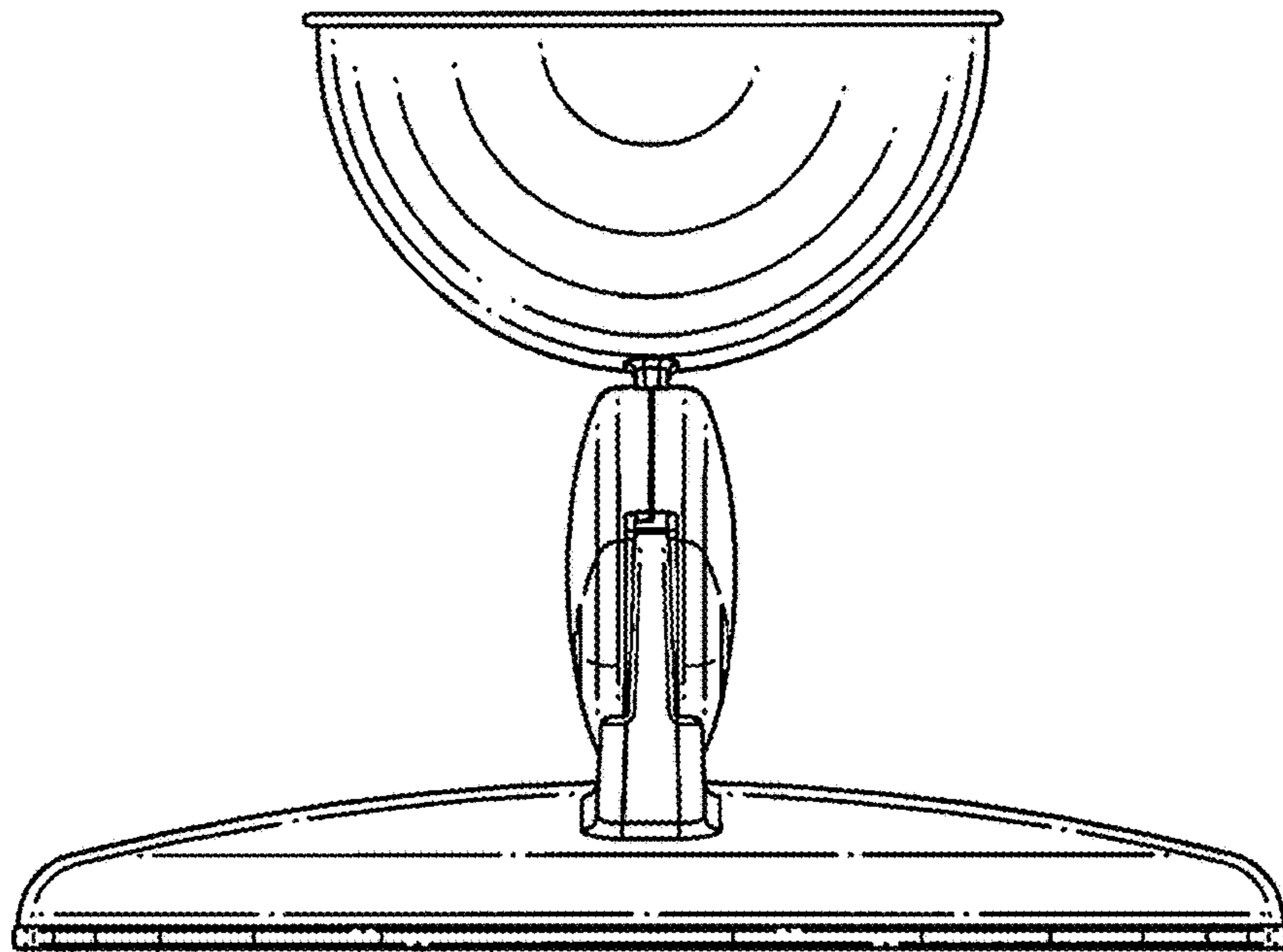


FIG. 5

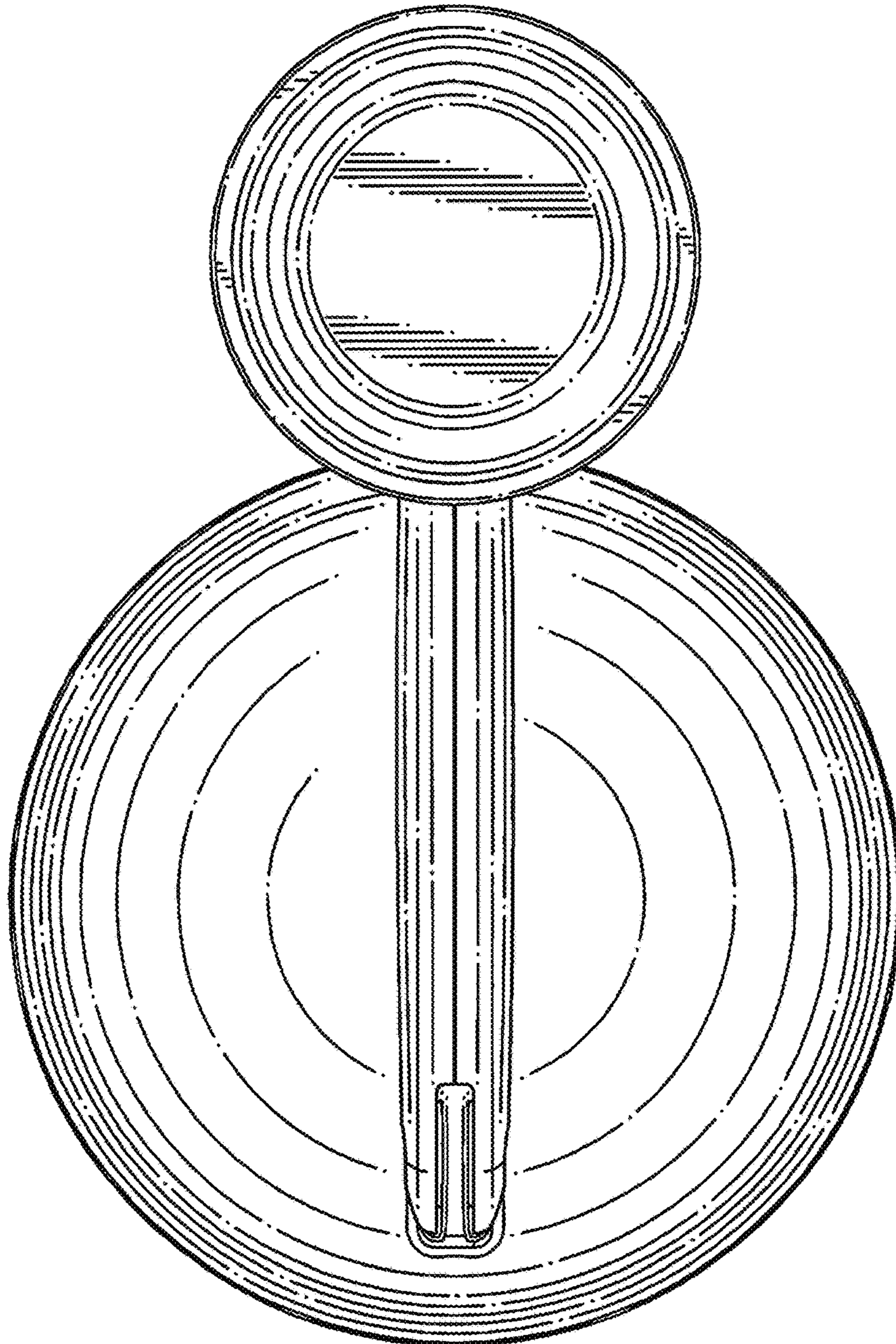


FIG. 6

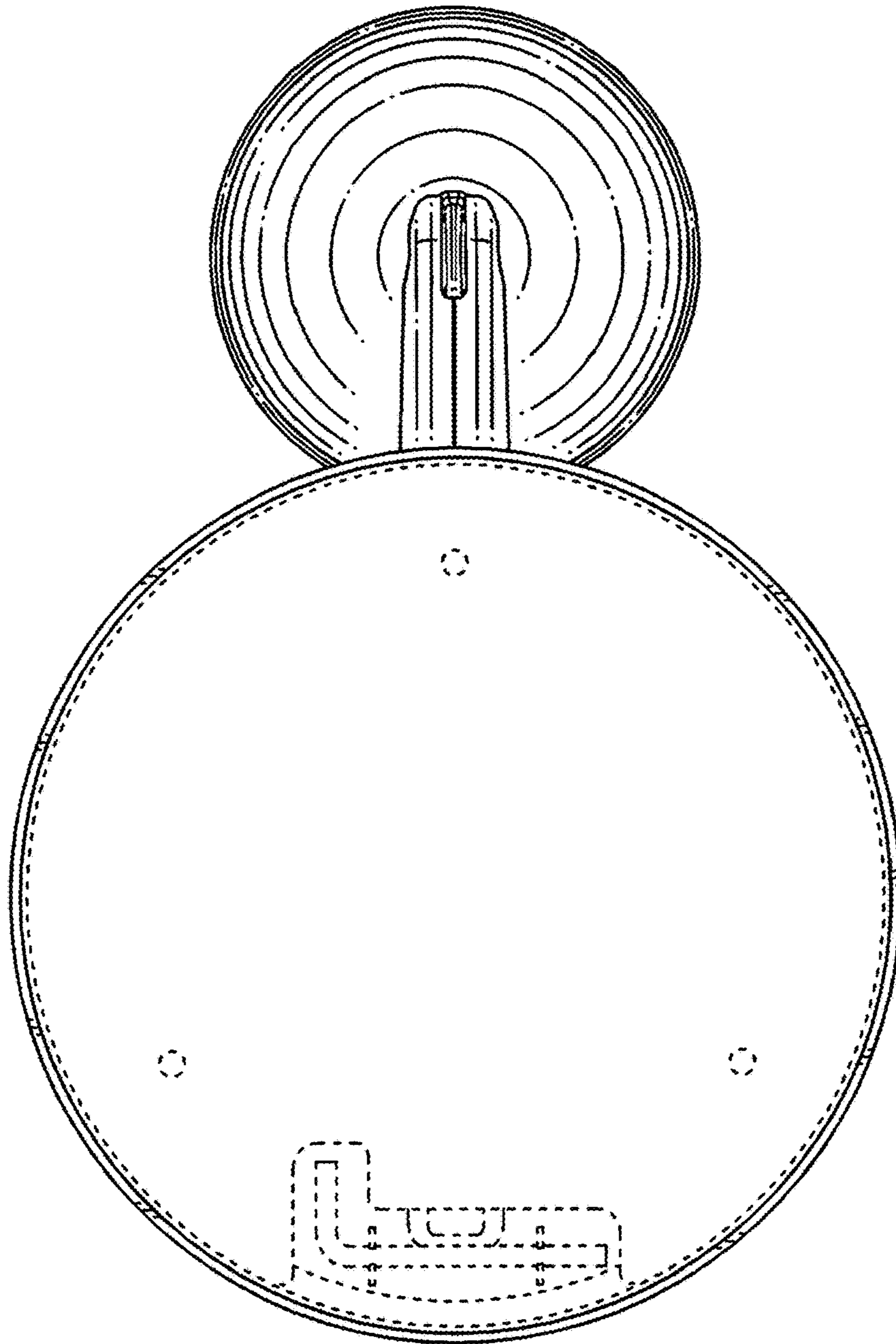


FIG. 7