



US00D851337S

(12) **United States Design Patent** (10) **Patent No.:** **US D851,337 S**
Tajima (45) **Date of Patent:** **** Jun. 11, 2019**

(54) **PET FEEDER**

FOREIGN PATENT DOCUMENTS

(71) Applicant: **IRIS OHYAMA INC.**, Sendai-shi,
Miyagi (JP)

JP 998632 S 12/1997
KR 30-0480716 S 2/2008

(72) Inventor: **Wakana Tajima**, Kakuda (JP)

OTHER PUBLICATIONS

(73) Assignee: **IRIS OHYAMA INC.**, Sendai-shi (JP)

An Office Action; "Notice of Allowance", issued by the Japanese Patent Office dated Nov. 21, 2017, which corresponds to Japanese Design Application No. 2017-009888; with English language Concise Explanation.

(**) Term: **15 Years**

(21) Appl. No.: **29/619,276**

(Continued)

(22) Filed: **Sep. 28, 2017**

Primary Examiner — Susan Moon Lee

(30) **Foreign Application Priority Data**

(74) *Attorney, Agent, or Firm* — Studebaker & Brackett PC

May 9, 2017 (JP) 2017-009888

(51) **LOC (11) Cl.** **30-07**

(52) **U.S. Cl.**
USPC **D30/121; D30/133; D30/129**

(58) **Field of Classification Search**
USPC D30/121, 122, 129-133; 119/61.5, 51.01, 119/61.56, 51.03, 59, 62, 63, 51.5, 57.8, 119/74, 61.54, 61.55, 712, 174, 215, 52.1; 604/61-63; 221/270, 268; D8/1; 220/23.87, 630, 737, 743, 9.4, 495.01, 220/574, 212, 255, 23.83, 573.4, 574.3, 220/769; D23/213, 214, 233; 47/79, 47/48.5, 40.5, 44, 47, 39, 45; 239/280, 239/530, 532, 569, 556; D7/554.3, 554.4, D7/672, 409, 407, 357, 359, 354, 700, D7/398; 141/331, 345, 333, 334, 337, 141/391; 138/155; D11/143, 144, 152;
(Continued)

(57) **CLAIM**

The ornamental design for a pet feeder, as shown and described.

DESCRIPTION

FIG. 1 is a front view of a pet feeder showing my new design;
FIG. 2 is a rear view thereof;
FIG. 3 is a top view thereof;
FIG. 4 is a bottom view thereof;
FIG. 5 is a left-side view thereof, with the right-side view being a mirror image thereof;
FIG. 6 is a front, top and right-side perspective view thereof;
and,
FIG. 7 is a front, bottom and left-side perspective view thereof.
The broken lines shown (i.e. letters and a contour thereof) represent unclaimed subject matter of the pet feeder and form no part of the claimed design. The thin lines shown represent ridgelines of three-dimensional shape of the pet feeder.

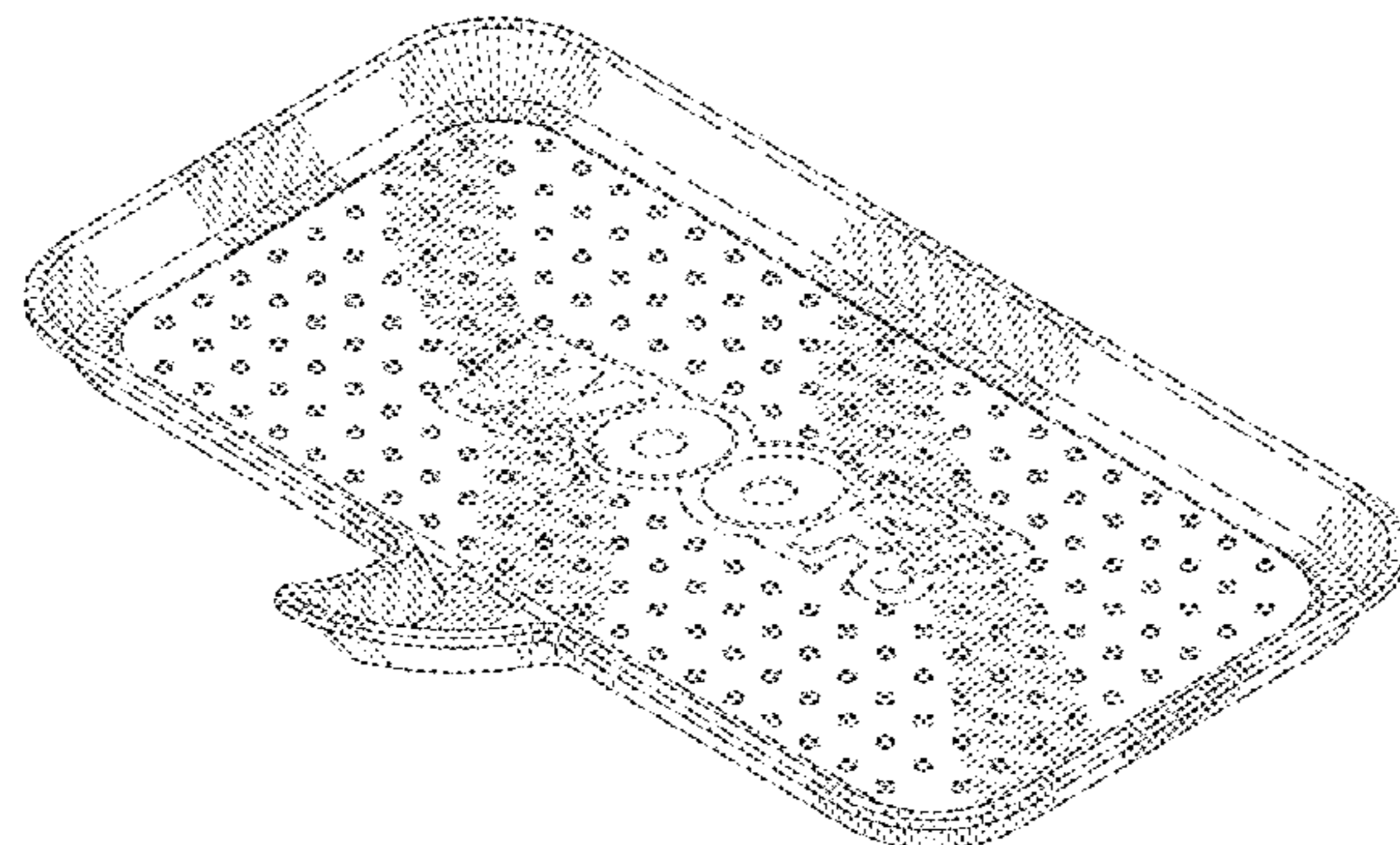
(56) **References Cited**

U.S. PATENT DOCUMENTS

147,831 A * 2/1874 Dingwall A21C 11/106
30/130
284,295 A * 9/1883 Hailes A47J 37/0786
99/444

(Continued)

1 Claim, 7 Drawing Sheets



US D851,337 S

(58) **Field of Classification Search**

USPC 222/400.7; 137/322; 473/560;
 273/129 R, 144 R; 294/54.5, 55, 1.4,
 294/137, 170; D21/791, 792, 459;
 446/241; D34/21, 24, 26, 17, 23, 12;
 D9/456, 424, 425, 429, 432; 99/422,
 99/446; D32/57
 CPC A01K 5/0114; A01K 5/00; A01K 5/01;
 A01K 5/0107; A01K 5/0291; A01K
 5/0135; A01K 7/00; A01K 7/005; A01K
 1/0107; A01K 1/0157; F16N 31/002;
 F16N 31/004; F16N 31/006

See application file for complete search history.

(56)

References Cited

U.S. PATENT DOCUMENTS

495,872 A * 4/1893 Ball A21B 3/13
 249/117
 1,503,666 A * 8/1924 Roberts B29C 51/267
 425/298
 1,819,660 A * 8/1931 Stone A47J 37/10
 126/339
 D97,841 S * 12/1935 Cohen D7/409
 2,057,951 A * 10/1936 Ingram A21B 3/132
 99/422
 RE20,924 E * 11/1938 Nickle F24C 15/10
 126/221
 D112,254 S * 11/1938 Jackson D7/357
 2,503,174 A * 4/1950 Salvadore A47G 27/0225
 15/215
 2,974,843 A * 3/1961 Reifers B65D 81/262
 229/407
 3,056,232 A * 10/1962 Chaplin B65D 1/34
 47/87
 3,078,490 A * 2/1963 Etcher A47L 23/24
 15/216
 3,100,483 A * 8/1963 Altmeyer A61H 7/001
 601/28
 D199,593 S * 11/1964 Reifers D9/425
 3,230,864 A * 1/1966 Krajewski B65D 81/3453
 219/734
 3,409,199 A * 11/1968 Lake B65D 81/261
 229/407
 D215,957 S * 11/1969 De Palma D7/357
 3,640,209 A * 2/1972 Wilson A47J 36/022
 220/573.1
 D239,691 S * 4/1976 Ashton D7/388
 D242,052 S * 10/1976 Van Ness D30/129
 D246,466 S * 11/1977 Attree D24/226
 D259,535 S * 6/1981 Daenen D7/667
 D263,268 S * 3/1982 Rein D7/359
 4,367,605 A * 1/1983 Clifton G09F 7/00
 40/584
 D268,568 S * 4/1983 Holden D9/425
 D270,703 S * 9/1983 El-Hag D7/357
 4,455,763 A * 6/1984 Elevitch A23N 12/08
 126/275 E
 D274,781 S * 7/1984 Baker D7/359
 D278,363 S * 4/1985 Schenkel D24/189
 4,552,600 A * 11/1985 Laiewski B26F 1/24
 156/73.1
 4,576,278 A * 3/1986 Laiewski B65D 81/262
 206/204
 D287,104 S * 12/1986 Holden D9/425
 D288,396 S * 2/1987 Ritman D7/554.3
 D298,144 S * 10/1988 Wells-Papanek D14/489
 4,798,292 A * 1/1989 Hauze A61L 2/26
 206/439
 4,889,231 A * 12/1989 Foote B65D 1/34
 206/363
 D309,234 S * 7/1990 Howell D7/388
 D337,386 S * 7/1993 Bierend D24/194

D347,489 S * 5/1994 Kastner D27/194
 5,353,930 A * 10/1994 Berry, Jr. A61L 2/26
 206/370
 D360,767 S * 8/1995 Fish D21/671
 D361,347 S * 8/1995 Adler D19/113
 D362,572 S * 9/1995 Joseph, Jr. D19/92
 D364,642 S * 11/1995 Adler D19/113
 5,676,276 A * 10/1997 Zielinski A47G 23/06
 206/557
 D387,512 S * 12/1997 Bergman D30/119
 5,833,894 A * 11/1998 Lanzani B65D 81/264
 264/46.3
 D408,682 S * 4/1999 Costa D7/354
 D414,516 S * 9/1999 Lopez D10/109.1
 D416,741 S * 11/1999 Denney D6/596
 D418,375 S * 1/2000 Goodman D7/624.1
 6,014,779 A * 1/2000 Lindholm A47K 3/002
 4/583
 D448,249 S * 9/2001 DeCastro D7/605
 D453,797 S * 2/2002 Cranston D20/23
 RE37,780 E * 7/2002 Lanzani B65D 81/264
 521/139
 D475,625 S * 6/2003 Lin D9/456
 D476,038 S * 6/2003 Geyer D20/10
 D476,691 S * 7/2003 Geyer D20/10
 D493,256 S * 7/2004 Kim D24/230
 D514,765 S * 2/2006 Dretzka D32/57
 D515,315 S * 2/2006 Rader D3/304
 D539,600 S * 4/2007 Millsap A21B 3/15
 D7/354
 D550,408 S * 9/2007 Willinger D30/133
 D553,195 S * 10/2007 Chamberlain D20/28
 D553,305 S * 10/2007 Willinger D30/133
 D559,915 S * 1/2008 Chamberlain D20/28
 D562,463 S * 2/2008 Berndt D24/226
 7,340,994 B2 * 3/2008 Bruno A47J 37/067
 99/426
 D581,726 S * 12/2008 Shamoan D7/387
 D582,940 S * 12/2008 Carpenter D14/493
 D587,726 S * 3/2009 Tarara D14/494
 D588,396 S * 3/2009 Millsap D7/354
 D608,581 S * 1/2010 Millsap D7/354
 D608,582 S * 1/2010 Millsap D7/354
 D608,583 S * 1/2010 Millsap D7/354
 D612,663 S * 3/2010 Galperin D7/354
 D615,585 S * 5/2010 Skinner D19/10
 D621,413 S * 8/2010 Rasmussen D14/489
 D628,434 S * 12/2010 Sarnoff D7/354
 D642,198 S * 7/2011 Guss D14/495
 D643,466 S * 8/2011 Henderson D19/1
 D645,880 S * 9/2011 Guss D14/495
 D645,881 S * 9/2011 Guss D14/495
 D651,043 S * 12/2011 Sarnoff D7/354
 D655,755 S * 3/2012 Sardo D20/29
 D658,942 S * 5/2012 Borovicka D7/409
 D667,431 S * 9/2012 Phelan D14/491
 D673,003 S * 12/2012 Lion D7/354
 D679,144 S * 4/2013 Holding D7/554.3
 D679,674 S * 4/2013 Duc D14/138 G
 D682,309 S * 5/2013 Steele D14/489
 D682,634 S * 5/2013 Datavs D7/698
 D685,555 S * 7/2013 Kehler D32/40
 D686,241 S * 7/2013 Steele D14/489
 D686,637 S * 7/2013 Anzures D14/489
 D687,064 S * 7/2013 Jang D14/489
 D689,327 S * 9/2013 Ortegon D7/354
 D689,741 S * 9/2013 Wang D7/554.3
 D691,633 S * 10/2013 Abratowski D14/489
 D692,023 S * 10/2013 Abratowski D14/489
 D692,296 S * 10/2013 Cooper D9/424
 D692,457 S * 10/2013 Abratowski D14/489
 D701,617 S * 3/2014 Tsukiji D24/227
 D709,247 S * 7/2014 Gailen
 D711,917 S * 8/2014 Jang D14/490
 D713,654 S * 9/2014 Robbins, III D6/582
 D715,864 S * 10/2014 Kennedy D20/23
 D716,343 S * 10/2014 Baumann D14/489
 D716,379 S * 10/2014 Kennedy D20/23
 D723,324 S * 3/2015 Feriola D7/354

(56)

References Cited

U.S. PATENT DOCUMENTS

D724,904 S * 3/2015 Chinon D7/672
 D725,317 S * 3/2015 Avalos Sartorio D30/121
 D725,836 S * 3/2015 Avalos Sartorio D30/121
 D727,576 S * 4/2015 Avalos Sartorio D30/121
 D728,305 S * 5/2015 Henry D7/388
 D738,916 S * 9/2015 Torres D14/492
 D739,437 S * 9/2015 Torres D14/492
 D743,185 S * 11/2015 Elliott D6/582
 D744,034 S * 11/2015 Nguyen D19/113
 D745,749 S * 12/2015 Lee D30/161
 D747,348 S * 1/2016 Park D14/492
 D751,773 S * 3/2016 Gailen D30/121
 D755,855 S * 5/2016 Wooten D14/492
 D761,614 S * 7/2016 Zemel D7/354
 D767,341 S 9/2016 Koempel et al.
 D767,632 S * 9/2016 Foss D14/492
 D770,232 S * 11/2016 Brown D7/554.3
 D774,082 S * 12/2016 Karunamuni D14/489
 D774,349 S * 12/2016 Zemel D7/354
 D776,368 S * 1/2017 Avalos Sartorio D30/118
 D782,749 S * 3/2017 Michizoe D30/129
 D800,221 S * 10/2017 Graham D20/29
 D800,222 S * 10/2017 Graham D20/29
 D800,491 S * 10/2017 Sarnoff D7/359
 D800,492 S * 10/2017 Sarnoff D7/359
 D801,752 S * 11/2017 Mishan D7/554.3
 D809,848 S * 2/2018 Mirchandani D7/354

D811,666 S * 2/2018 Lopez D30/133
 D820,629 S * 6/2018 Lum D7/354
 D823,341 S * 7/2018 Domm D14/492
 D824,726 S * 8/2018 Gershkow D7/409
 D824,727 S * 8/2018 Gershkow D7/409
 10,167,129 B2 * 1/2019 Brown B65D 1/34
 2004/0237901 A1 * 12/2004 Willinger A01K 5/0114
 119/61.54
 2005/0235919 A1 * 10/2005 Willinger A01K 5/0114
 119/61.5
 2007/0066467 A1 * 3/2007 Edwards A63B 21/4037
 482/148
 2012/0285059 A1 * 11/2012 Fisk G09F 23/14
 40/661.01

OTHER PUBLICATIONS

Ottagono, vol. 198, p. 37, Japan Patent Office Design Patent Department, publicly known reference No. HB19012586).
 Ceramic Japan, p. 45, CN-4 (Japan Patent Office Design Patent Department, publicly known reference No. HC25012306).
 Ceramic Japan, p. 45, CN-5 (Japan Patent Office Design Patent Department, publicly known reference No. HC25012307).
 Dinos Co., Ltd., publications on website, (Japan Patent Office Design Patent Department, publicly known reference No. HJ24032846).
 Joseph Limited, publications on website, (Japan Patent Office Design Patent Department, publicly known reference No. HJ25017982).

* cited by examiner

FIG. 1

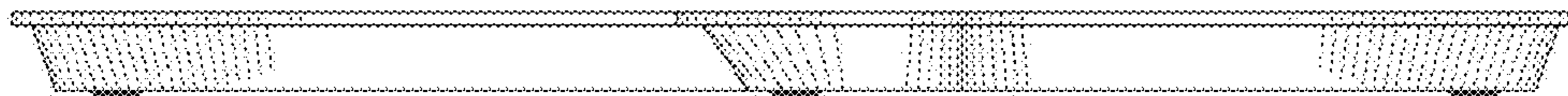


FIG. 2



FIG. 3

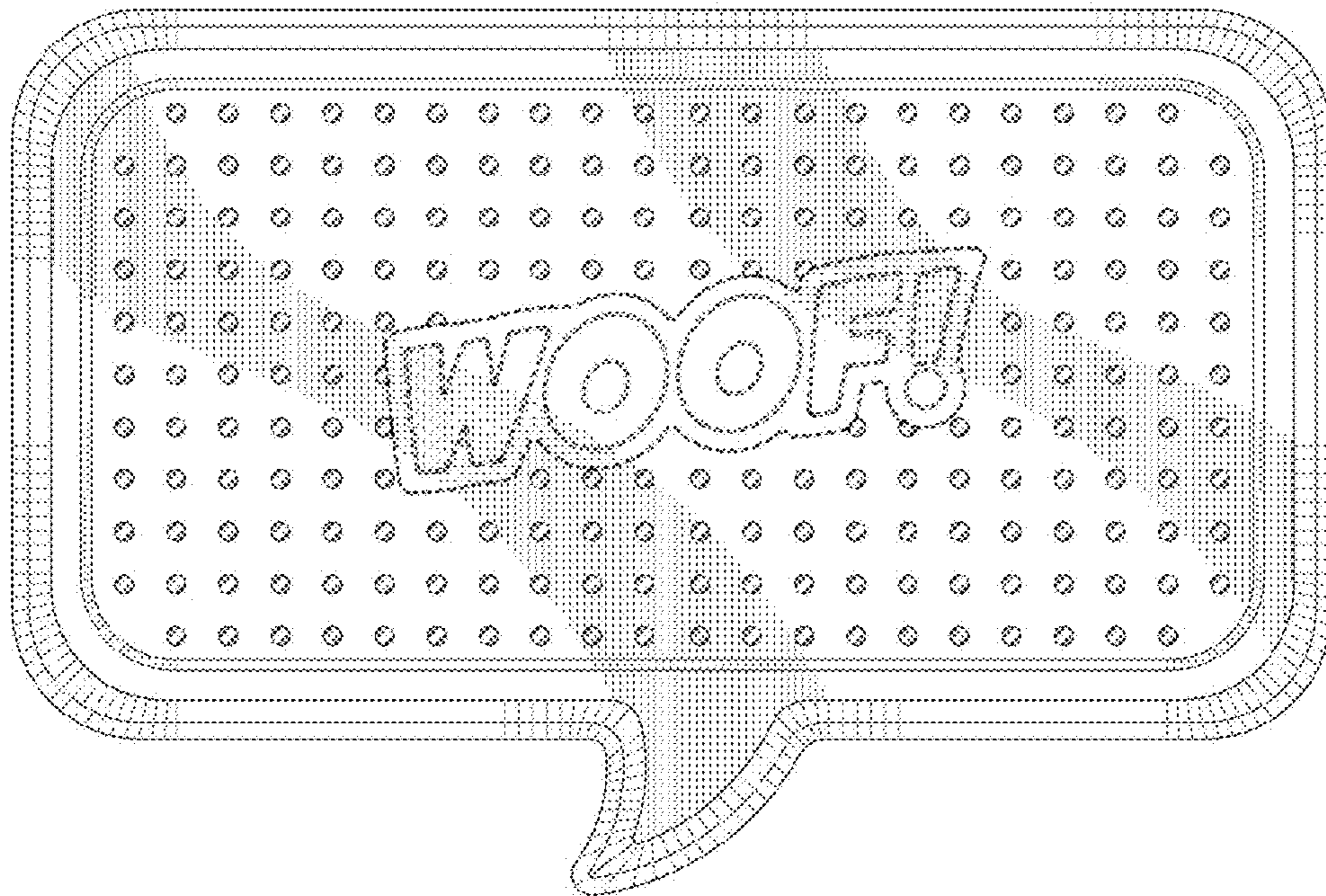


FIG. 4

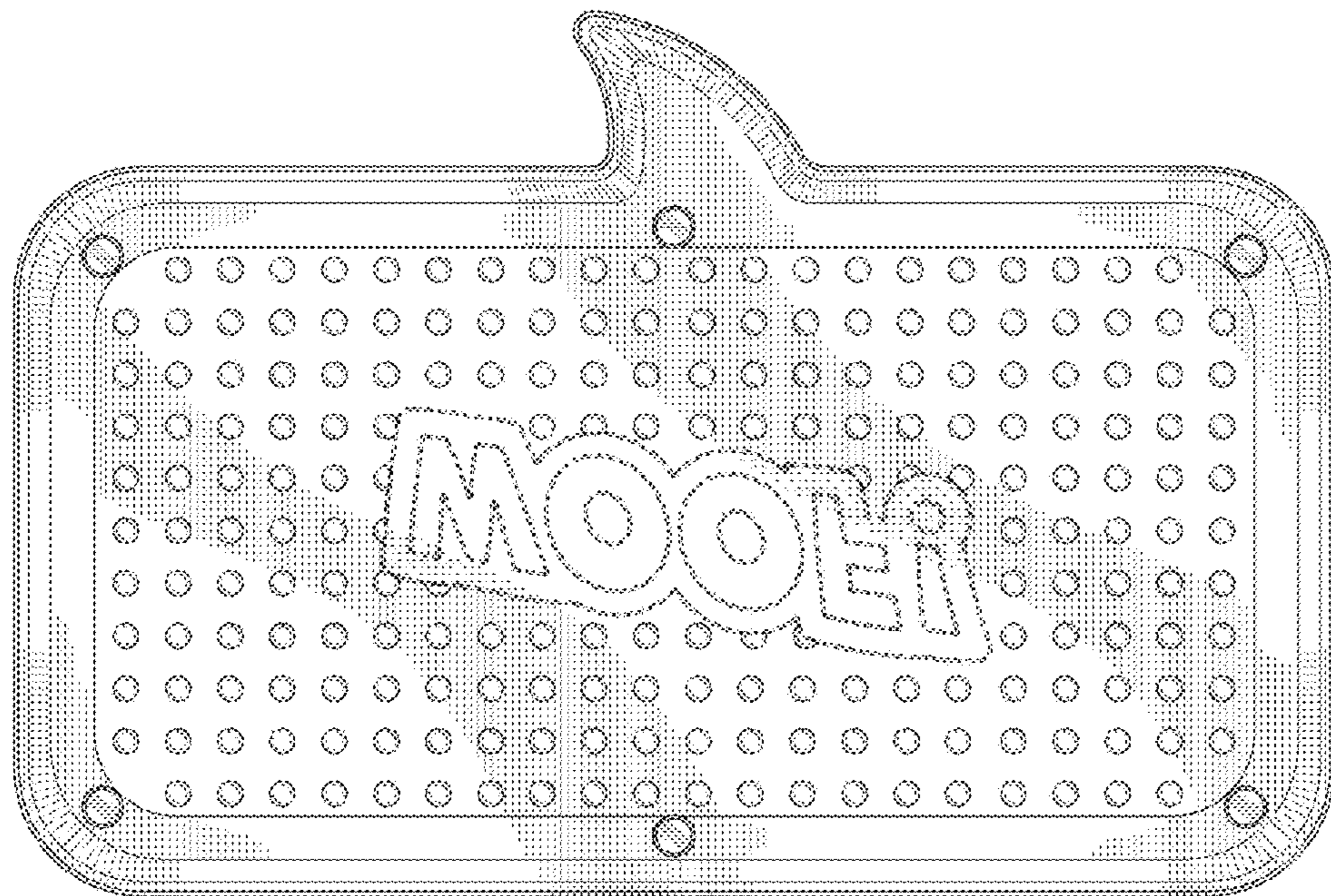


FIG. 5

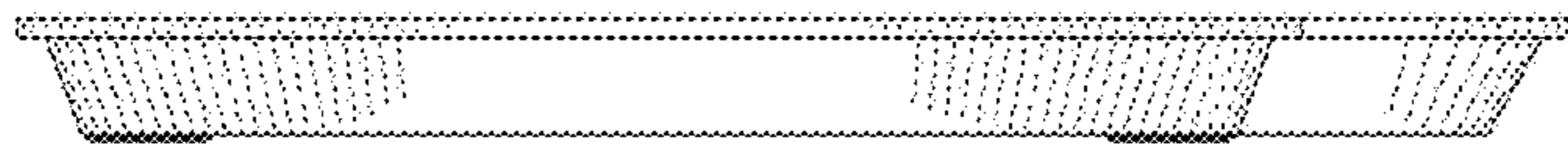


FIG. 6

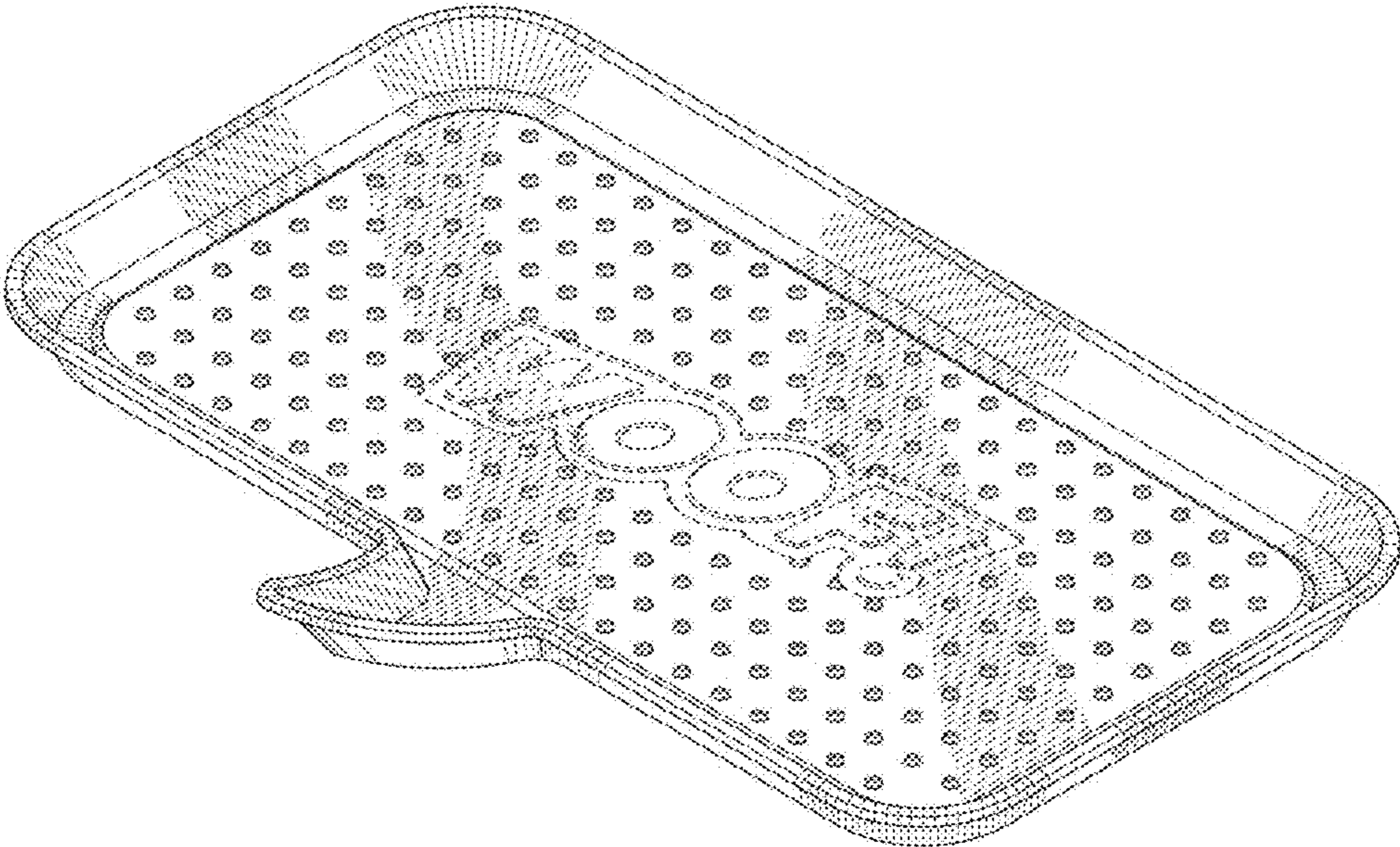


FIG. 7

