



US00D851333S

(12) **United States Design Patent** (10) **Patent No.:** **US D851,333 S**
Nagata (45) **Date of Patent:** **** Jun. 11, 2019**

(54) **LIPSTICK CASE**
(71) Applicant: **Kaori Nagata**, Tokyo (JP)
(72) Inventor: **Kaori Nagata**, Tokyo (JP)
(73) Assignee: **SHISEIDO CO., LTD.**, Tokyo (JP)
(**) Term: **15 Years**
(21) Appl. No.: **29/630,796**
(22) Filed: **Dec. 22, 2017**
(51) **LOC (11) Cl.** **28-03**
(52) **U.S. Cl.**
USPC **D28/89**; D9/504
(58) **Field of Classification Search**
USPC D28/76, 85-90; D9/624, 606, 726, 725,
D9/503-505, 529, 541, 549, 551, 553,
D9/559, 560, 561, 564, 574, 575
CPC A45D 40/00; A45D 40/023; A45D 40/04;
A45D 40/06-065; A45D 40/08; A45D
2040/207-208; A45D 2040/0012; A45D
2040/0025; A45D 40/205; A45D 40/26;
A45D 40/261; A45D 40/265
See application file for complete search history.

(56) **References Cited**
U.S. PATENT DOCUMENTS
D385,793 S * 11/1997 Marsal D9/503
D429,845 S * 8/2000 Lang D28/7

D466,252 S * 11/2002 Yu D28/88
D491,811 S * 6/2004 Kostow D28/89
D541,990 S * 5/2007 Hsu D28/89
D583,998 S * 12/2008 Tani D28/88
D703,061 S * 4/2014 de Lima Paschoal D28/76
D725,490 S * 3/2015 Grosso D9/726
D797,377 S * 9/2017 Reggiani D28/89
2003/0226573 A1* 12/2003 Chan A45D 40/02
132/318
2015/0055997 A1* 2/2015 Holloway A45D 40/24
401/31

* cited by examiner
Primary Examiner — Jennifer Rivard
(74) *Attorney, Agent, or Firm* — Manabu Kanesaka

(57) **CLAIM**
The ornamental design for a lipstick case, as shown and described.

DESCRIPTION
FIG. 1 is a perspective view of a lipstick case showing my new design;
FIG. 2 is a front view thereof, a rear view being symmetrical to the front view;
FIG. 3 is a plan view thereof, a bottom view being identical to the plan view;
FIG. 4 is a left side view thereof; and,
FIG. 5 is a right side view thereof.
The broken lines depict portions of the lipstick case that form no part of claimed design.

1 Claim, 1 Drawing Sheet

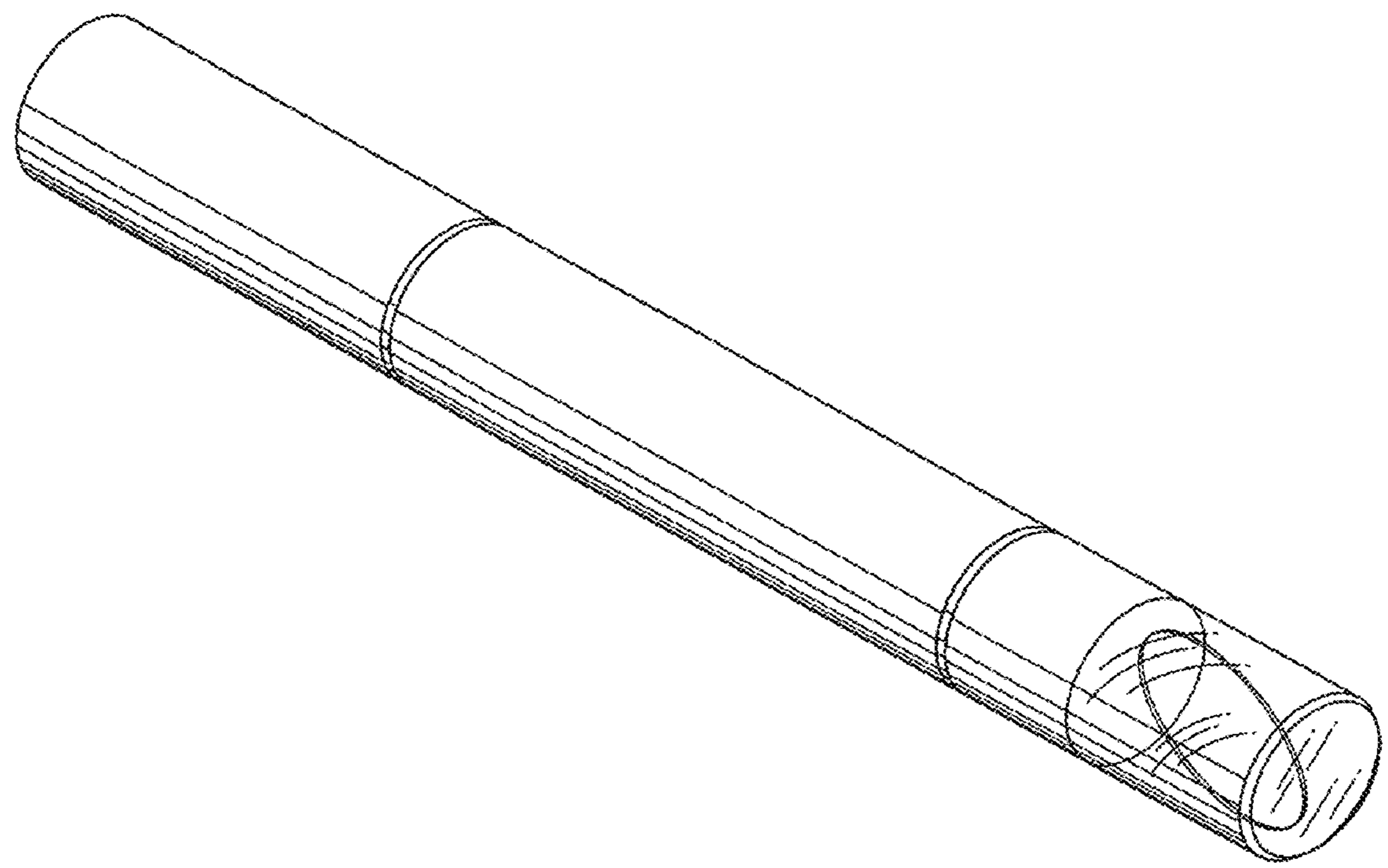


Fig.1

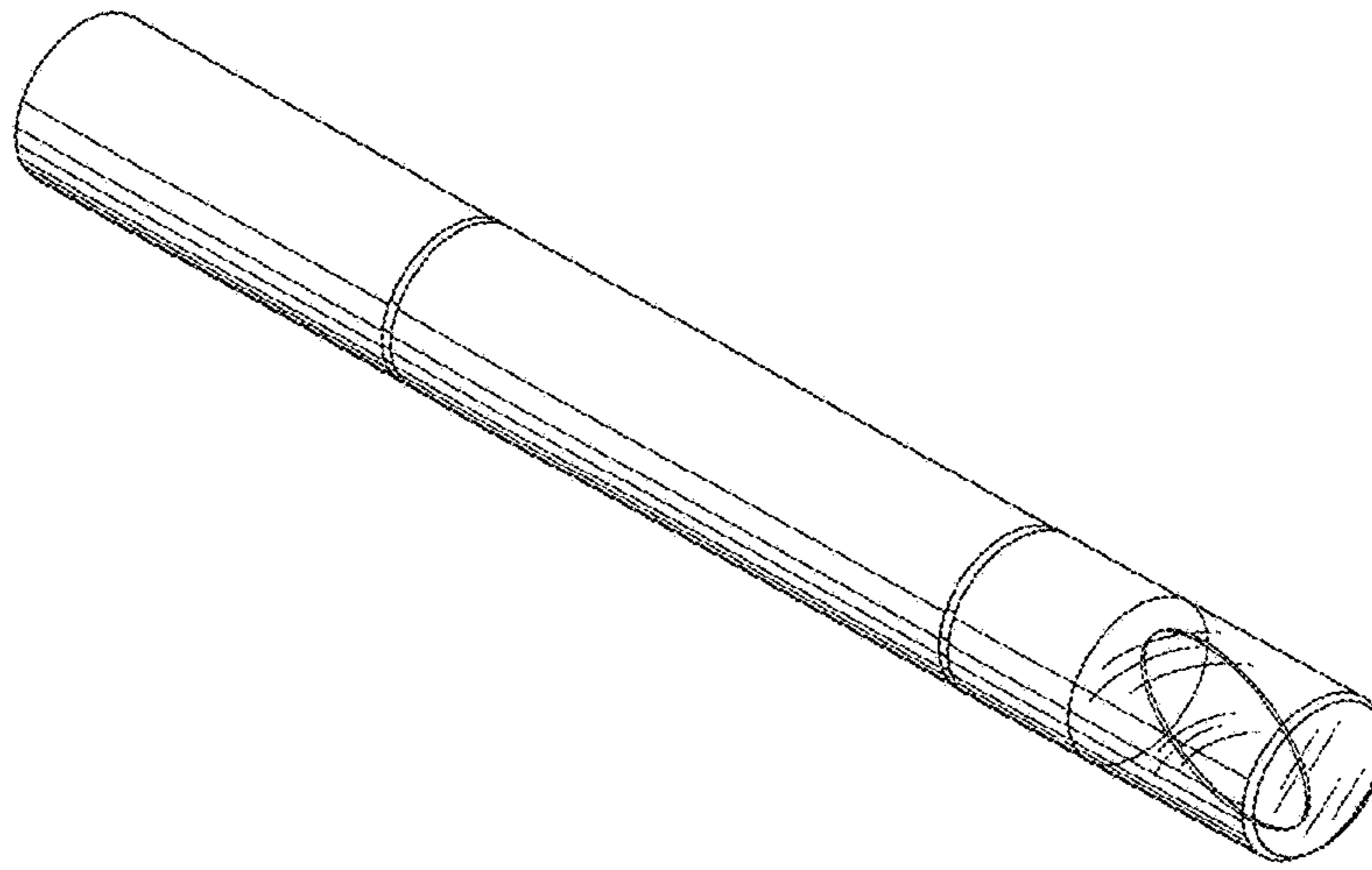


Fig.2

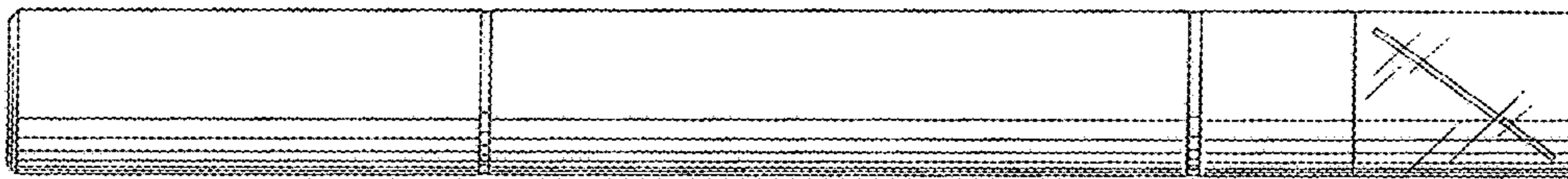


Fig.3

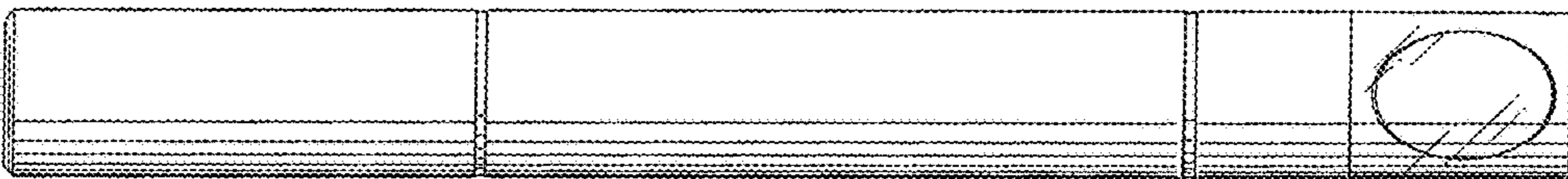


Fig.4

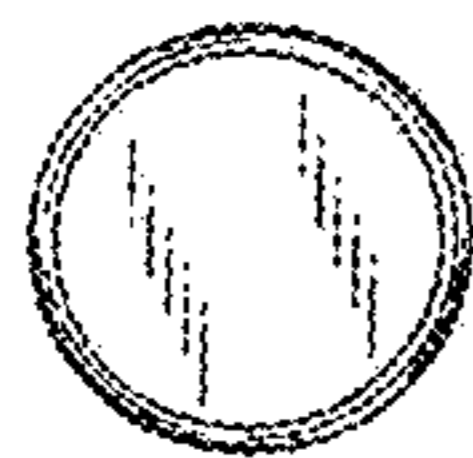


Fig.5

