



US00D851332S

(12) **United States Design Patent**
Min

(10) **Patent No.:** **US D851,332 S**
(45) **Date of Patent:** **** Jun. 11, 2019**

(54) **COSMETIC RECEPTACLE**
(71) Applicant: **BARAM INTERNATIONAL CO., LTD.**, Seoul (KR)
(72) Inventor: **Seul Ki Min**, Seoul (KR)
(73) Assignee: **BARAM INTERNATIONAL CO., LTD.**, Seoul (KR)
(**) Term: **15 Years**
(21) Appl. No.: **29/633,825**
(22) Filed: **Jan. 16, 2018**

1,845,507 A * 2/1932 McAtree A45D 33/006
132/296
1,875,127 A * 8/1932 Parkin A45D 33/24
132/296
1,959,784 A * 5/1934 Goertz A45D 33/006
132/303
2,046,133 A * 6/1936 Rathbun B65D 43/168
16/DIG. 19
D270,579 S * 9/1983 Numbers D28/78
D276,470 S * 11/1984 Lo D28/64.3
D309,043 S * 7/1990 Bakic D28/78
D309,511 S * 7/1990 Bertlin D28/78
D313,288 S * 12/1990 Bakic D28/77
D314,066 S * 1/1991 Bakic D28/77
D318,144 S * 7/1991 Scarpa D28/78
(Continued)

(30) **Foreign Application Priority Data**

Sep. 27, 2017 (KR) 30-2017-0045653

(51) **LOC (11) Cl.** **28-03**

(52) **U.S. Cl.**
USPC **D28/82**

(58) **Field of Classification Search**
USPC D28/64.1, 76-84; D9/414, 420, 503-505,
D9/529, 737, 756, 759; D3/295
CPC A45D 33/006; A45D 33/003; A45D
33/04-33/33; A45D 33/025; A45D 33/02;
A45D 33/20; A45D 33/22; A45D 33/24;
A45D 33/26; A45D 33/28; A45D 33/18;
A45D 40/22; A45D 40/222; A45D 40/24
See application file for complete search history.

(56) **References Cited**

U.S. PATENT DOCUMENTS

D65,681 S * 9/1924 Worth D28/91
1,612,409 A * 12/1926 Anderson A45D 33/025
132/295
1,735,483 A * 11/1929 Wacker A45D 33/006
132/296
1,778,575 A * 10/1930 Wacker A45D 33/006
132/301

OTHER PUBLICATIONS

Paradise Dual Palette, Dear Dahlia, published on Aug. 7, 2018 on youtube.com, retrieved on Jan. 14, 2019, retrieved from the Internet URL: <https://www.youtube.com/watch?v=P0lvDNiDd-Y>.*

Primary Examiner — Jennifer Rivard
Assistant Examiner — Alison M Ofstun

(74) *Attorney, Agent, or Firm* — Hauptman Ham, LLP

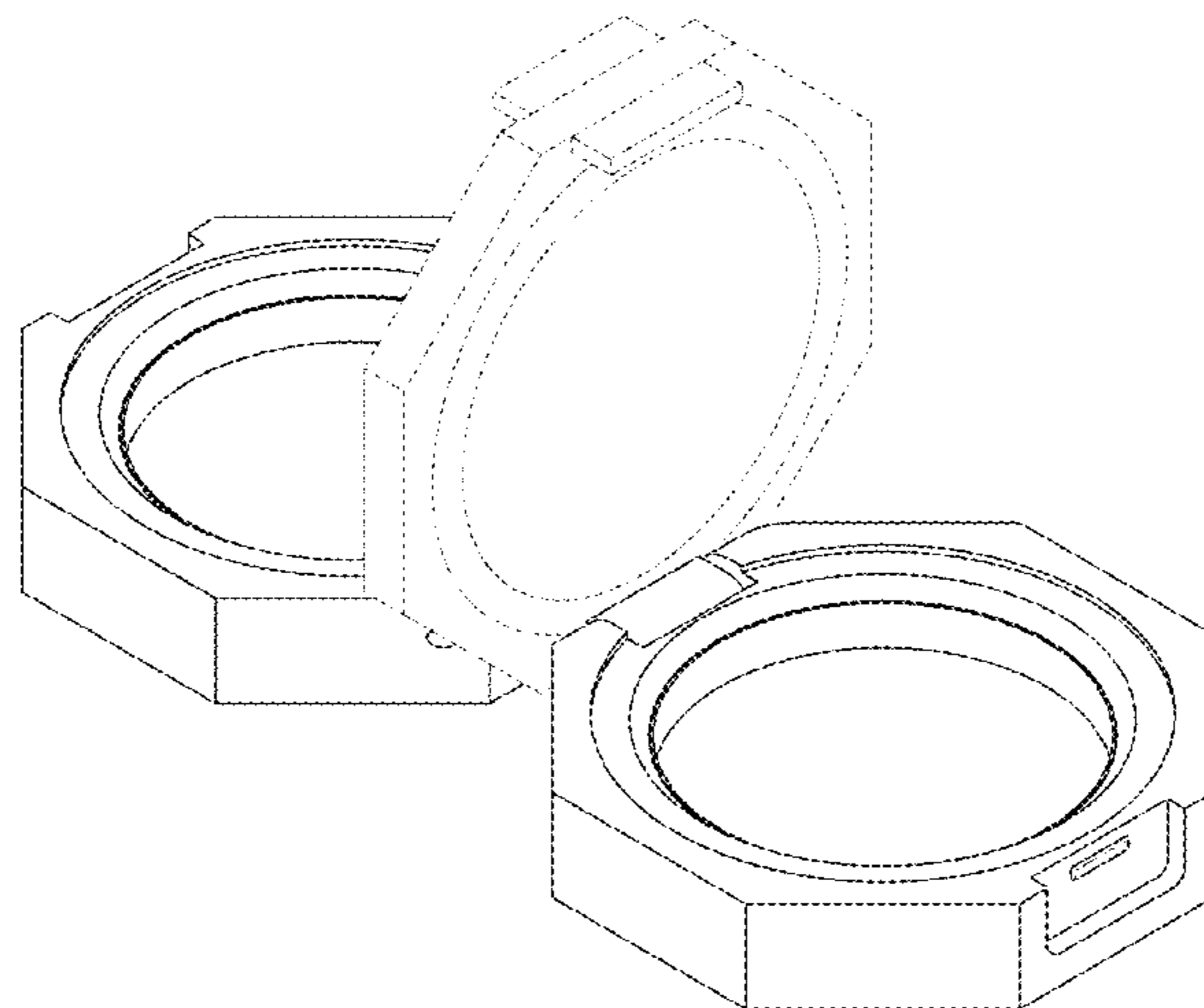
(57) **CLAIM**

The ornamental design for a cosmetic receptacle, as shown and described.

DESCRIPTION

FIG. 1 is a perspective view of a cosmetic receptacle showing the new design;
FIG. 2 is a front view thereof;
FIG. 3 is a rear view thereof;
FIG. 4 is a left side view thereof;
FIG. 5 is a right side view thereof;
FIG. 6 is a top view thereof; and,
FIG. 7 is a bottom view thereof.
In the drawings, the broken lines represent portions of the article that form no part of the claimed design.

1 Claim, 7 Drawing Sheets



(56)

References Cited

U.S. PATENT DOCUMENTS

D544,342 S * 6/2007 Liebe D28/78
D552,982 S * 10/2007 Liebe D28/78
2017/0273438 A1* 9/2017 Liu A45D 40/221

* cited by examiner

FIG. 1

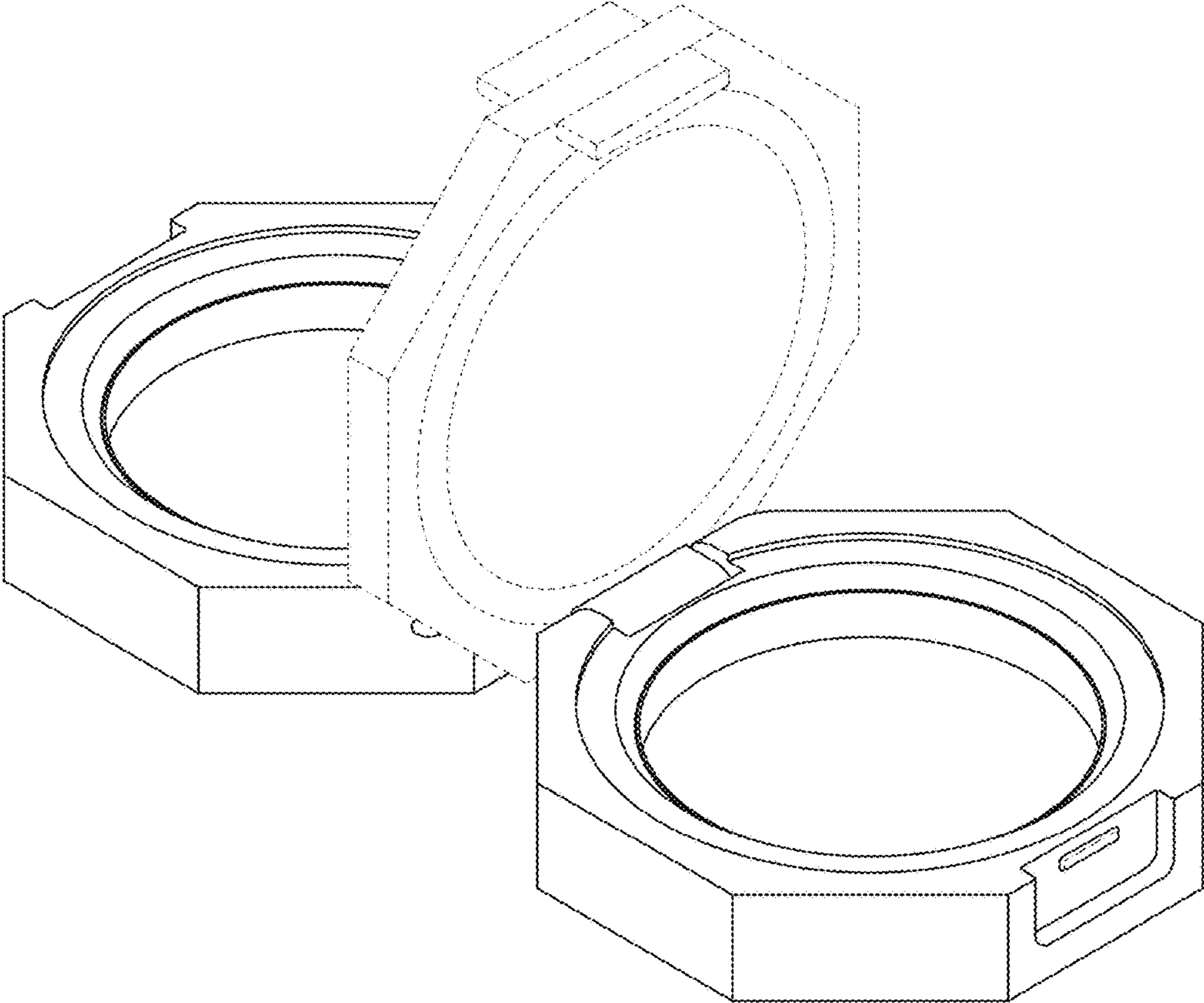


FIG. 2

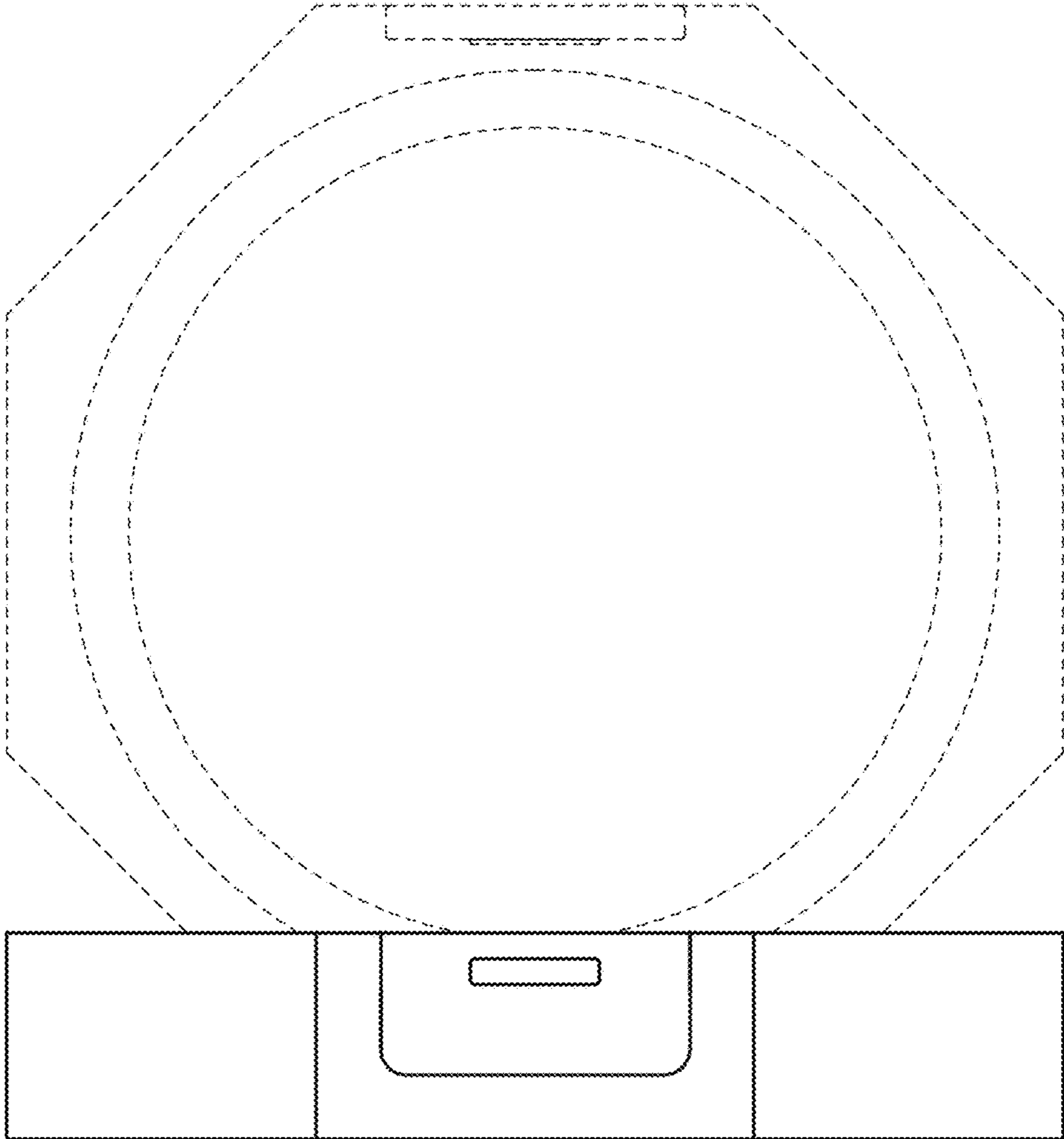


FIG. 3

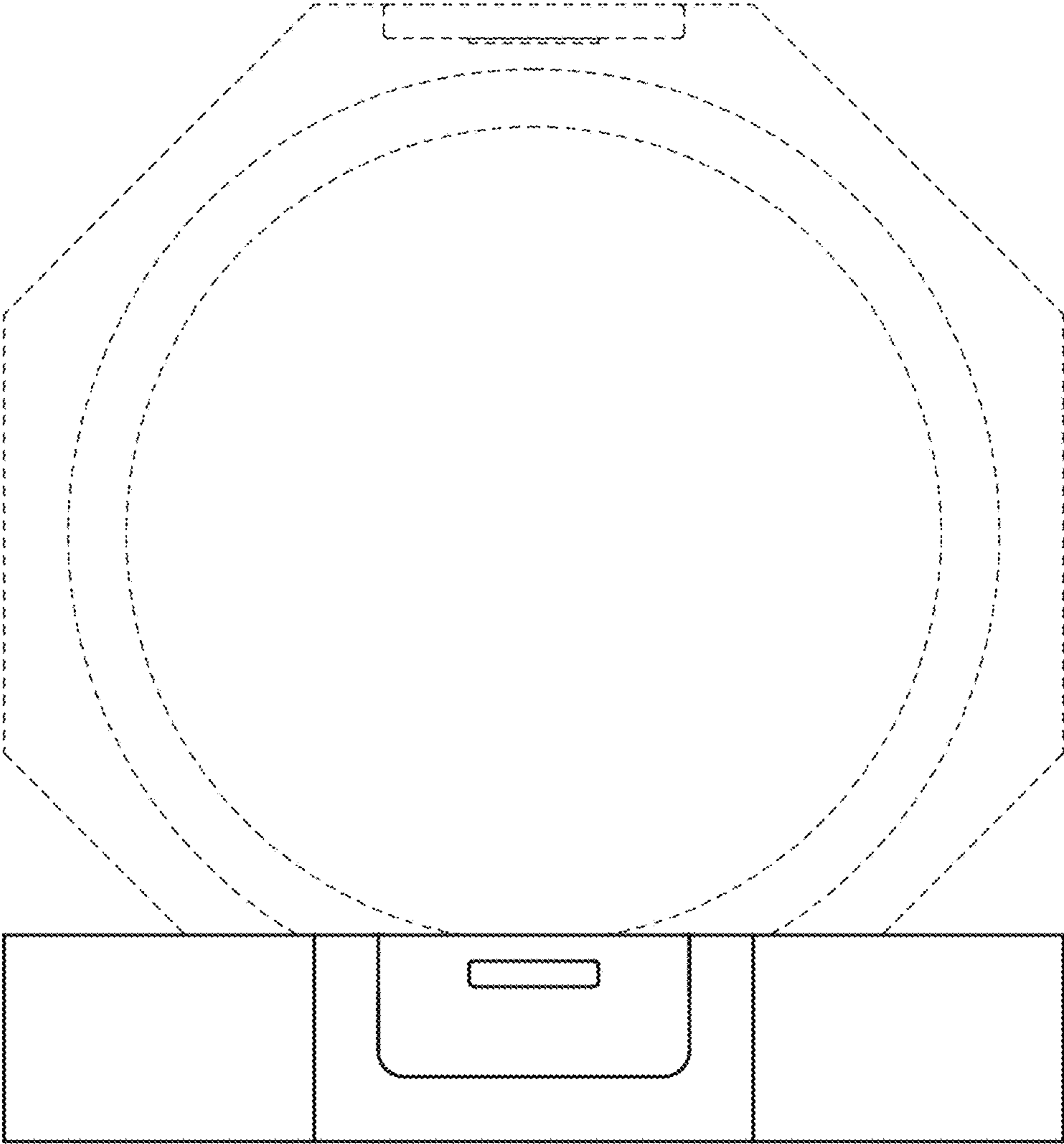


FIG. 4

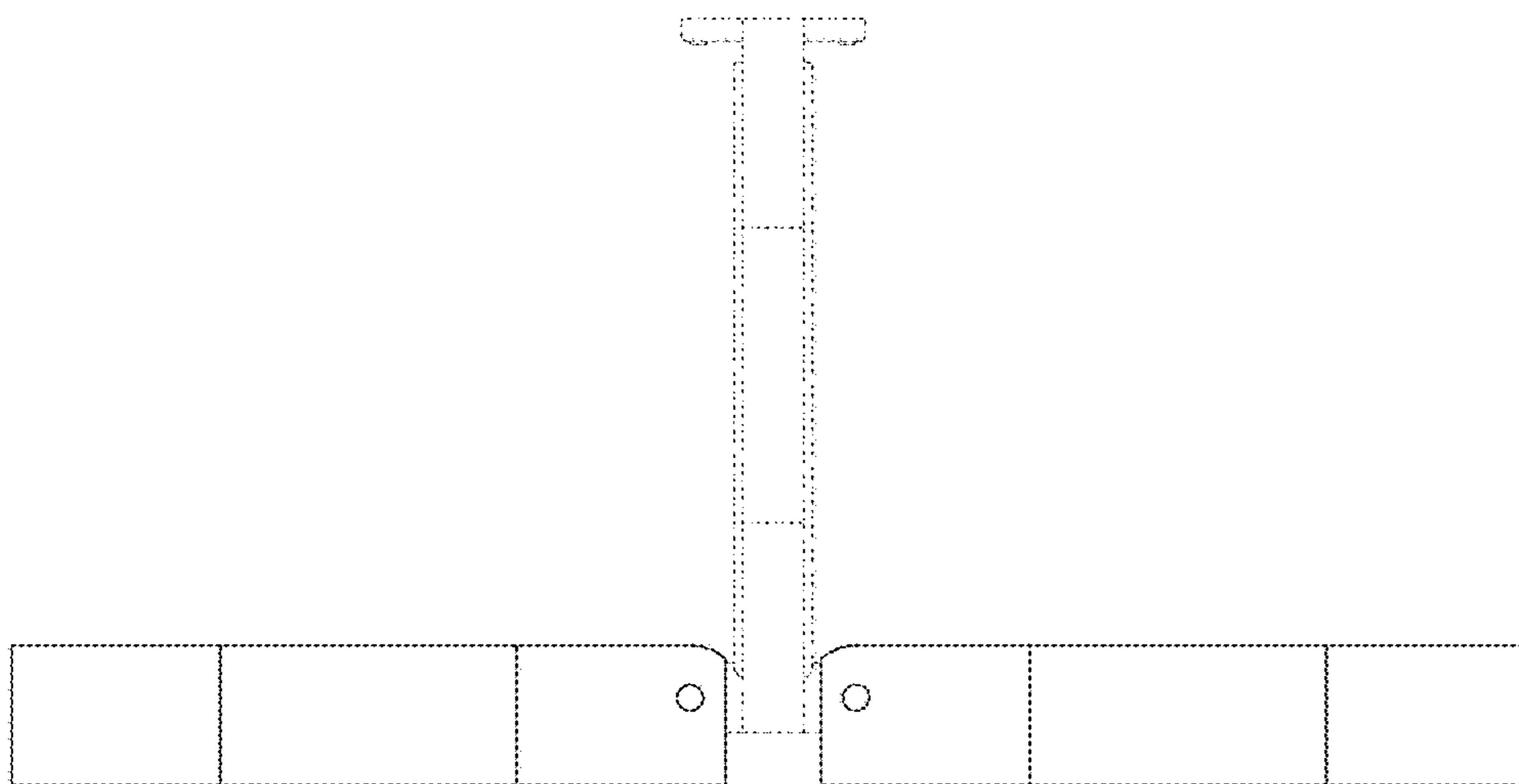


FIG. 5

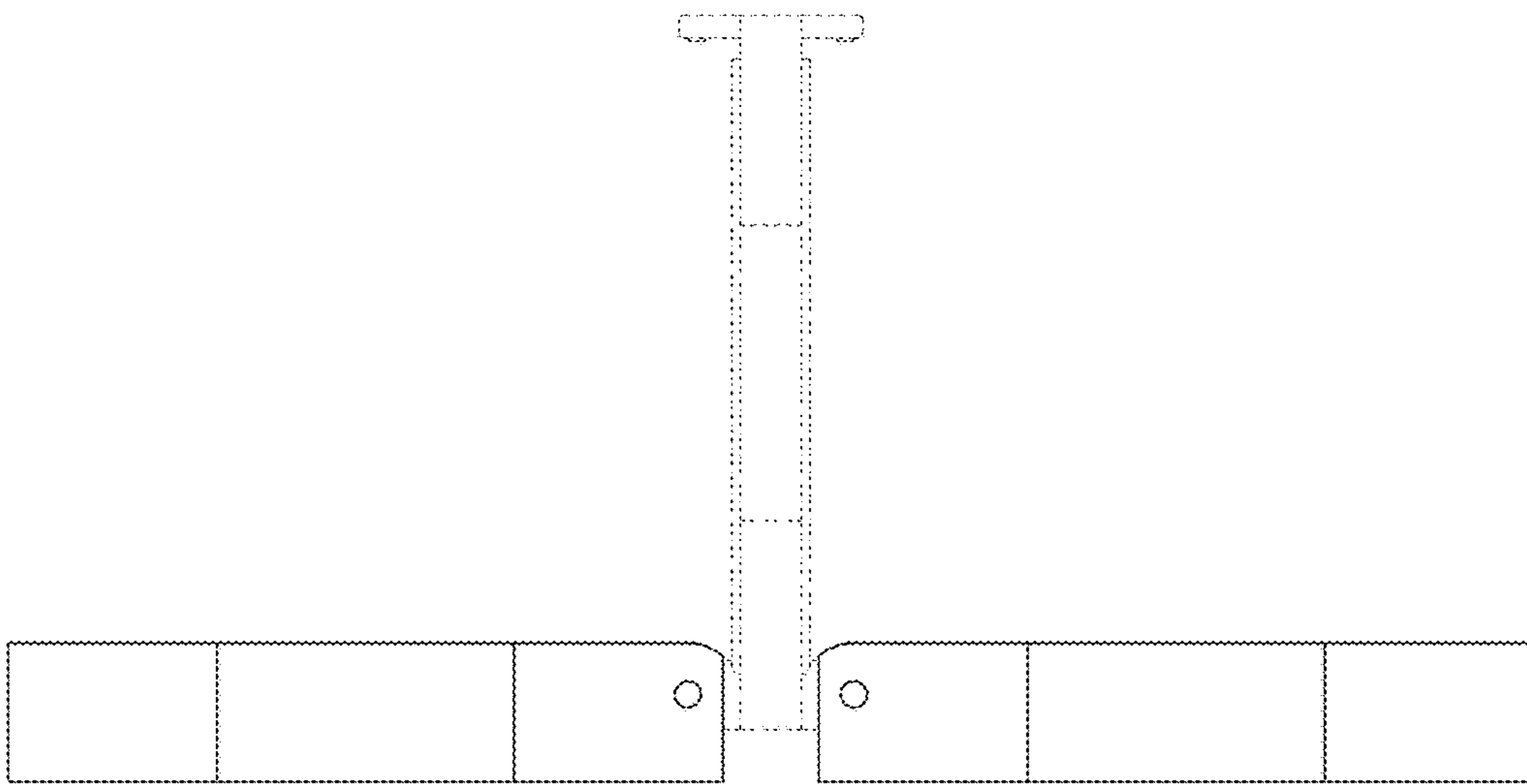


FIG. 6

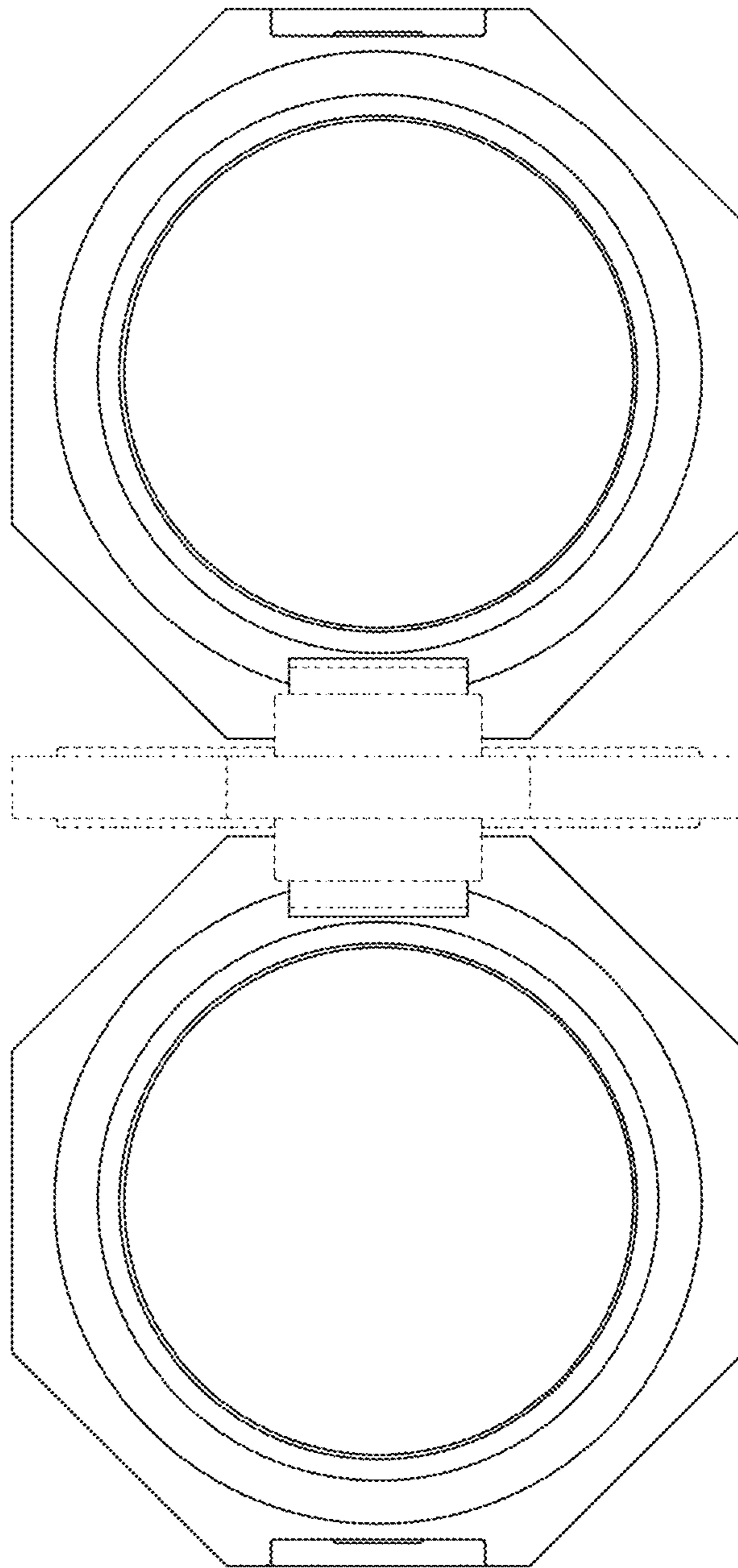


FIG. 7

