



US00D851328S

(12) **United States Design Patent** (10) **Patent No.:** **US D851,328 S**
Smith (45) **Date of Patent:** **** *Jun. 11, 2019**

(54) **VAPORIZER DEVICE**

(71) Applicant: **Cortney Smith**, Las Vegas, NV (US)

(72) Inventor: **Cortney Smith**, Las Vegas, NV (US)

(*) Notice: This patent is subject to a terminal disclaimer.

(**) Term: **15 Years**

(21) Appl. No.: **29/600,775**

(22) Filed: **Apr. 14, 2017**

Related U.S. Application Data

(63) Continuation-in-part of application No. 29/579,220, filed on Sep. 28, 2016, now Pat. No. Des. 806,311.

(51) **LOC (11) Cl.** **27-02**

(52) **U.S. Cl.**
USPC **D27/162**

(58) **Field of Classification Search**
USPC D9/573; D27/100-196; D23/367
CPC A24F 1/00; A24F 1/02; A24F 1/04; A24F 1/06; A24F 1/08; A24F 1/10; A24F 1/12; A24F 1/14; A24F 1/26; A24F 1/28; A24F 7/00; A24F 7/02; A24F 7/04; A24F 47/008

See application file for complete search history.

(56) **References Cited**

U.S. PATENT DOCUMENTS

D208,371 S *	8/1967	Takesi	D27/159
D226,221 S *	1/1973	Yoshinaga	D27/154
D229,964 S *	1/1974	Yoshinaga	D27/154
D233,944 S *	12/1974	Pierre	D27/154
D235,457 S *	6/1975	Takashima	D27/154
D260,943 S *	9/1981	Stutzer	D27/154
D489,478 S *	5/2004	Shioi	D27/142
D522,640 S	6/2006	Miró		
D551,799 S *	9/2007	Smith	D27/155
D596,281 S	7/2009	Schwartz et al.		

(Continued)

OTHER PUBLICATIONS

Flowermate Mini V5.0S Review. dated May 12, 2015. found online [Sep. 21, 2018] <http://www.getavape.com/2015/05/12/flowermate-mini/>.*

(Continued)

Primary Examiner — Marissa J Cash

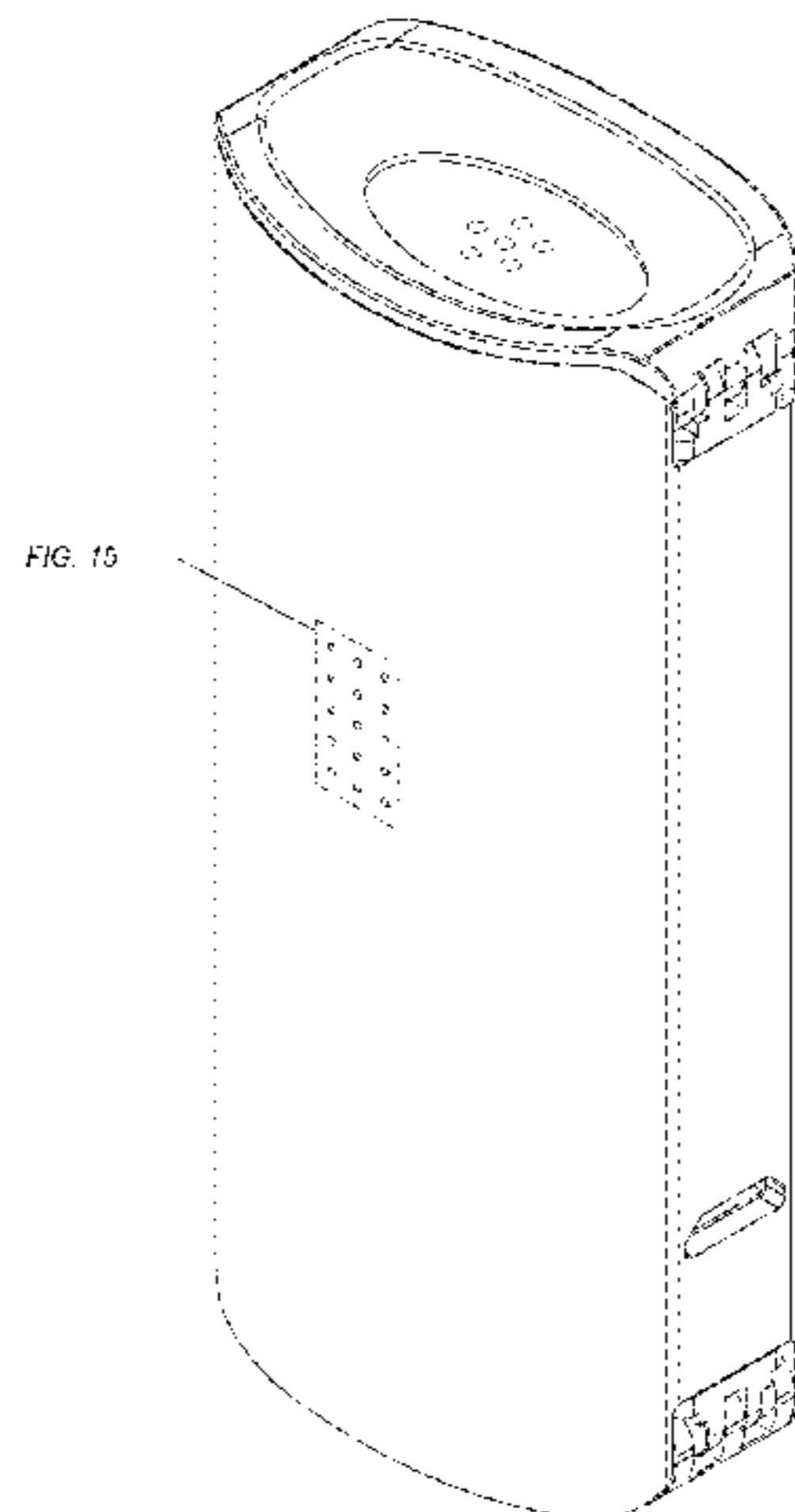
(57) **CLAIM**

The ornamental design for a vaporizer device, as shown and described.

DESCRIPTION

FIG. 1 is a front right top perspective view of a vaporizer device showing my new design;
FIG. 2 is a front view thereof;
FIG. 3 is a back view thereof;
FIG. 4 is a left side view thereof;
FIG. 5 is an opposite side view thereof;
FIG. 6 is a top view thereof;
FIG. 7 is a bottom view thereof;
FIG. 8 is a back right top perspective view thereof;
FIG. 9 is a back left top perspective view thereof;
FIG. 10 is a front left top perspective view thereof;
FIG. 11 is a back left bottom perspective view thereof;
FIG. 12 is a front left bottom perspective view thereof;
FIG. 13 is a front right bottom perspective view thereof;
FIG. 14 is a back left bottom perspective view thereof; and,
FIG. 15 is an enlarged detail view of a portion of the vaporizer device taken from FIG. 1.
In FIGS. 1, 4, 6, and 8-12 the dash-dash broken lines depict portions of the vaporizer device, that form no part of the claimed design.
In FIGS. 1 and 15, the dash-dot broken lines define the portion of the detail view and form no part of the claimed design.

1 Claim, 14 Drawing Sheets



(56)

References Cited

U.S. PATENT DOCUMENTS

D640,360 S 6/2011 Boshuizen et al.
D670,370 S 11/2012 Olchovy et al.
D681,267 S * 4/2013 Touzjian D27/162
D707,339 S 6/2014 Garbusi et al.
D716,997 S * 11/2014 Freeland D23/367
D806,311 S * 12/2017 Smith D27/162
D806,850 S 1/2018 D'Amico
D828,950 S * 9/2018 Gu D27/141

OTHER PUBLICATIONS

“Flowermate v5 pro” Found online Apr. 10, 2018 at www.planetofthevapes.com. Page dated Nov. 2, 2016. Retrieved from <https://www.planetofthevapes.com/products/flormer-mate-v5-pro>.

“Davinici Vaporizer” Found online Apr. 10, 2018 at www.davincivaporizer.com. Page dated Nov. 23, 2016. Retrieved from <https://www.davincivaporizer.com/iq-vaporizer/>.

Non Final Rejection issued in U.S. Appl. No. 29/600,786, dated Jul. 13, 2018.

Final Rejection issued in U.S. Appl. No. 29/600,786, dated Dec. 18, 2018.

* cited by examiner

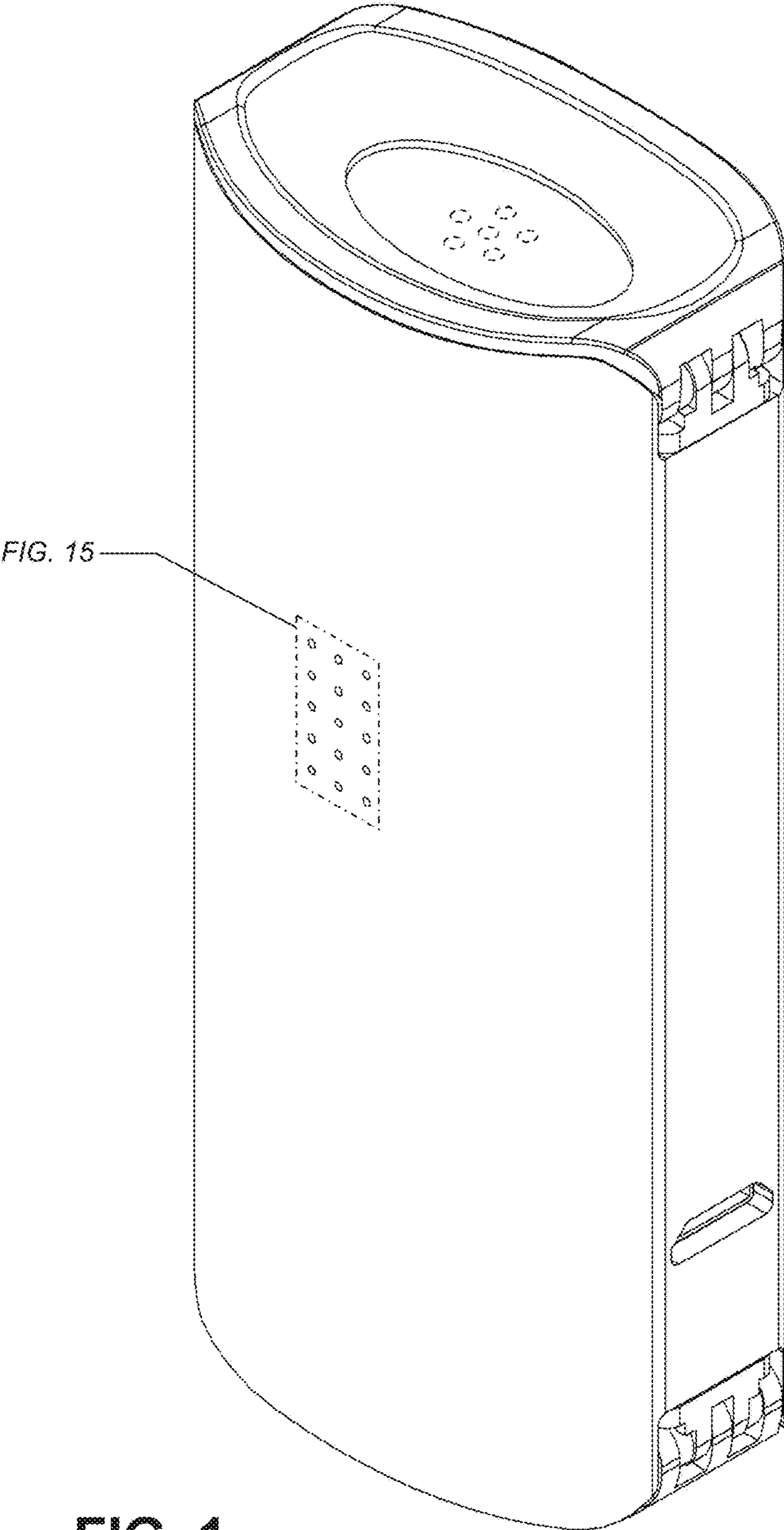


FIG. 1

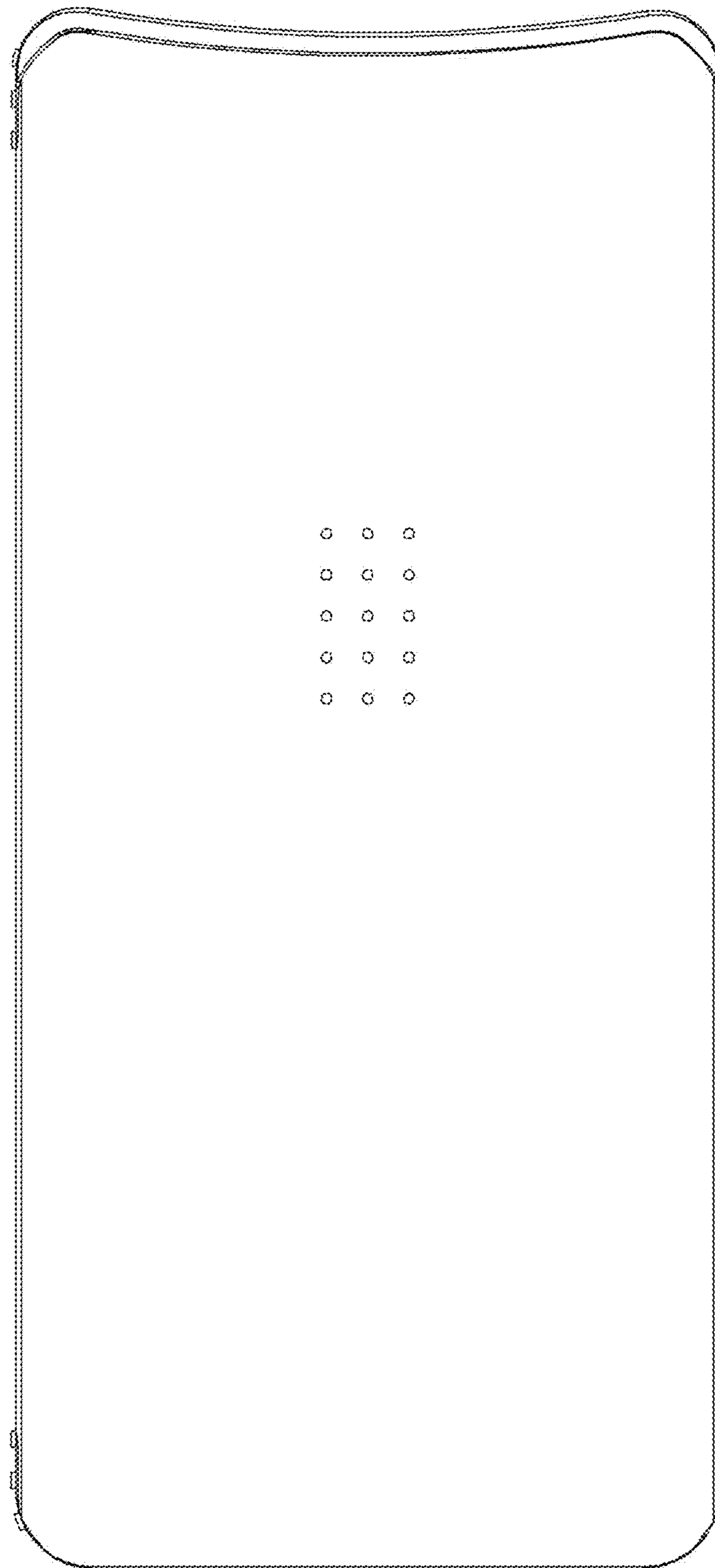


FIG. 2

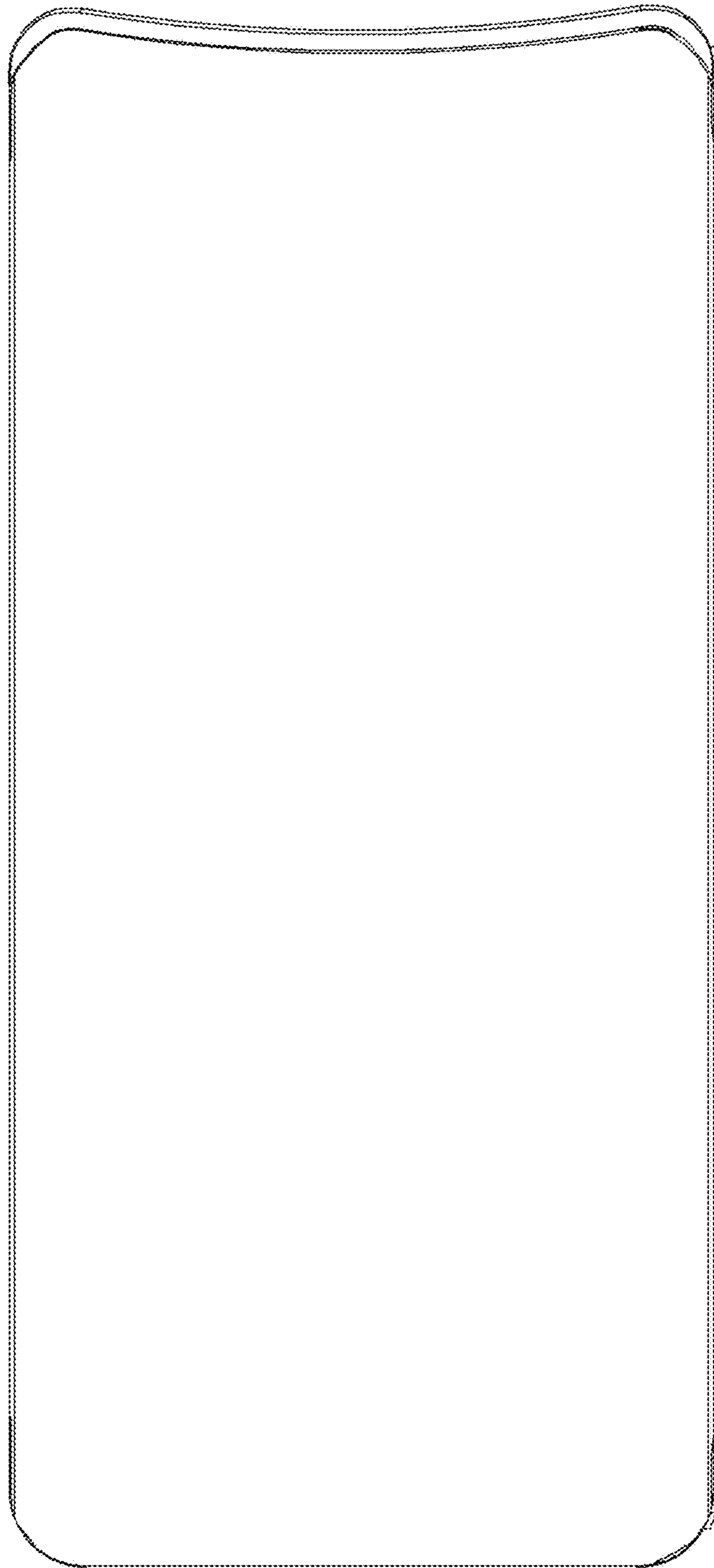


FIG. 3

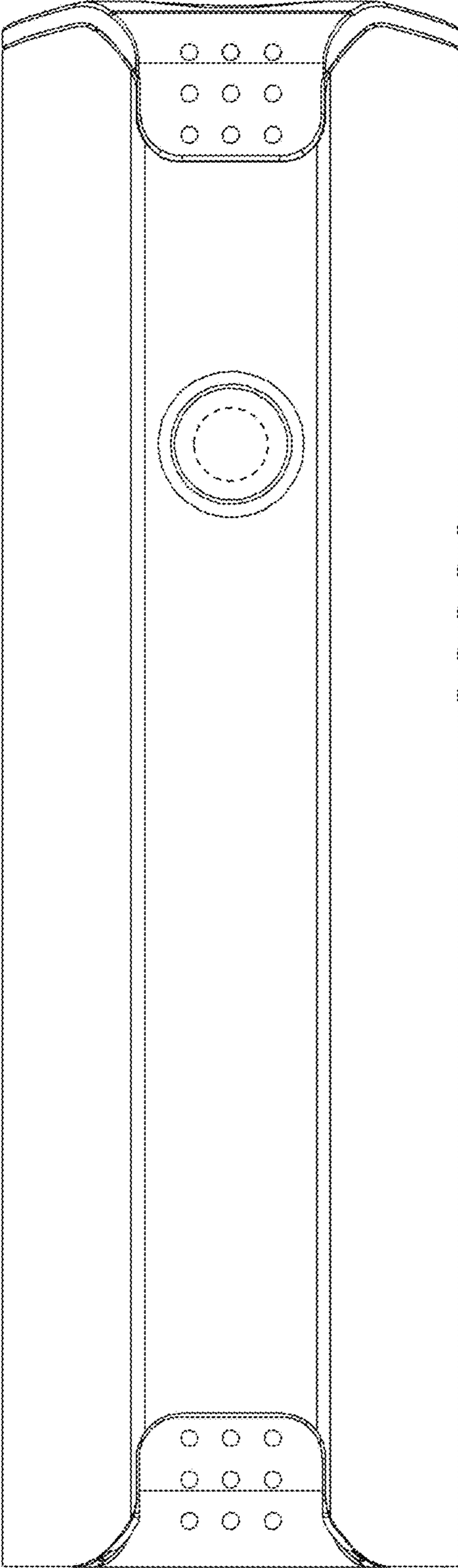


FIG. 4

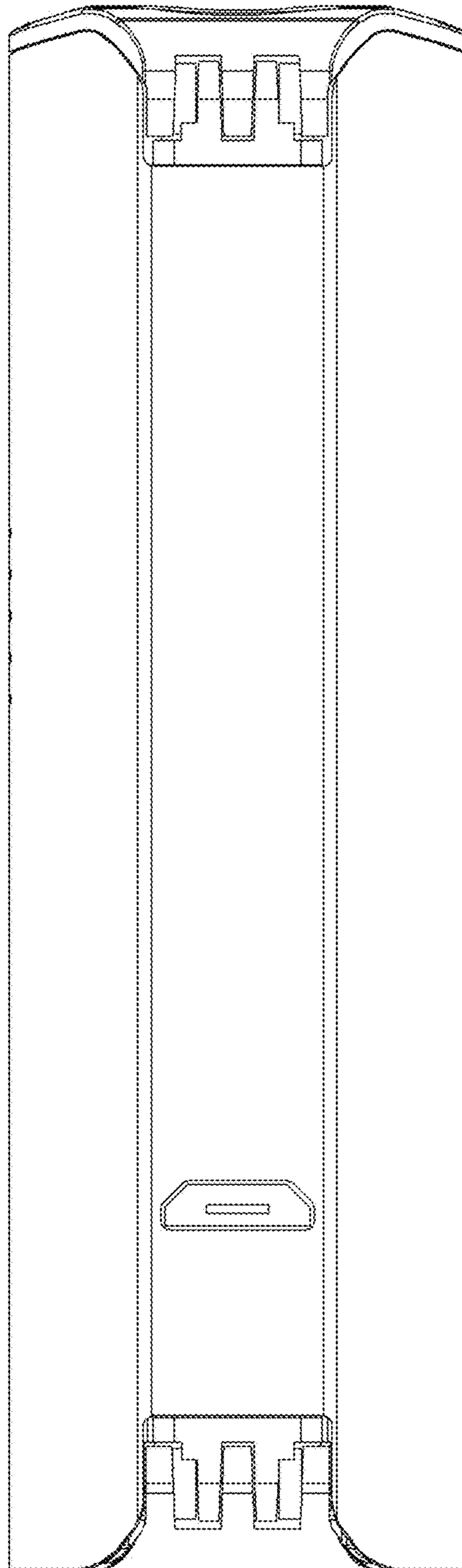


FIG. 5

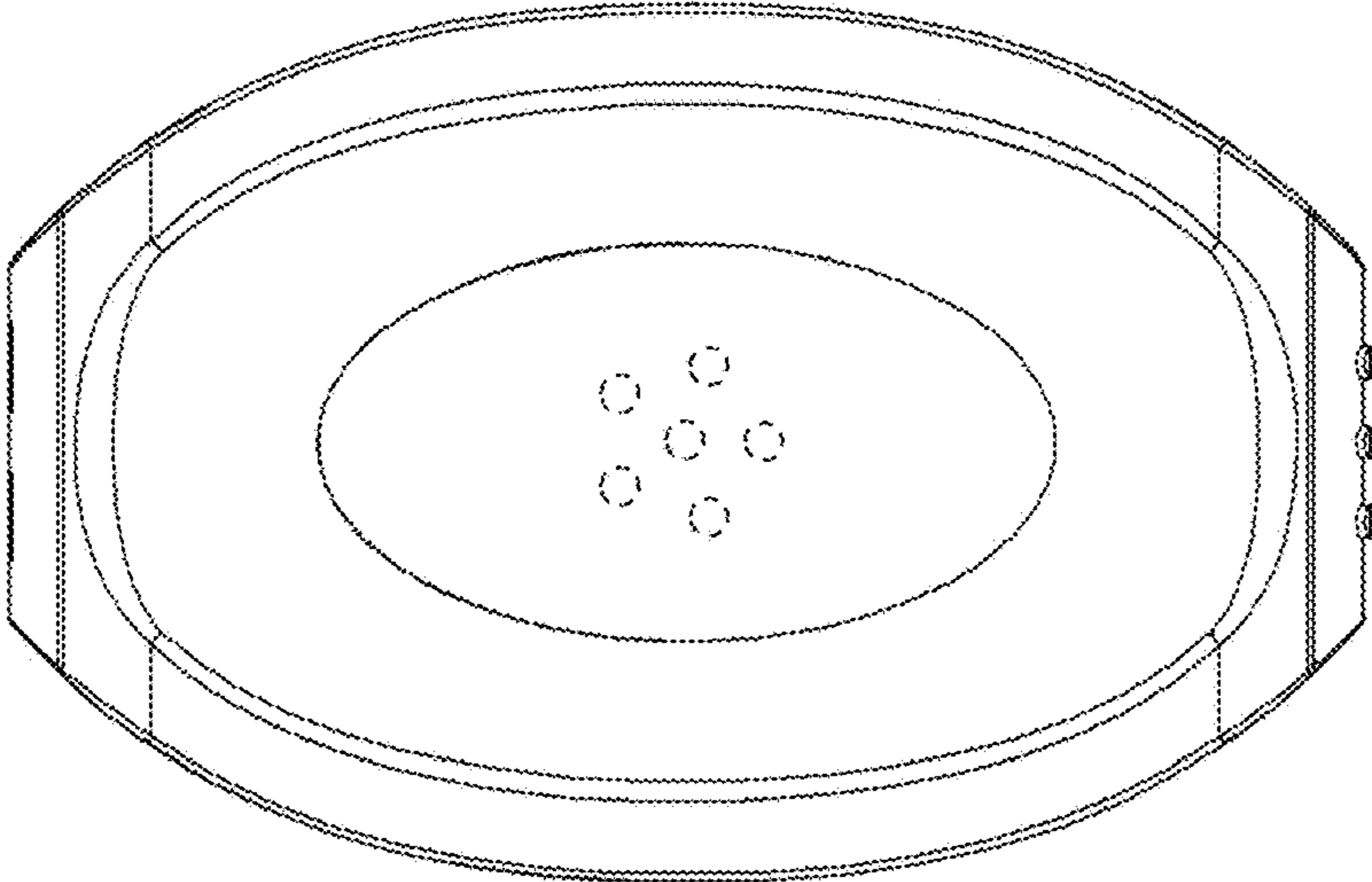


FIG. 6

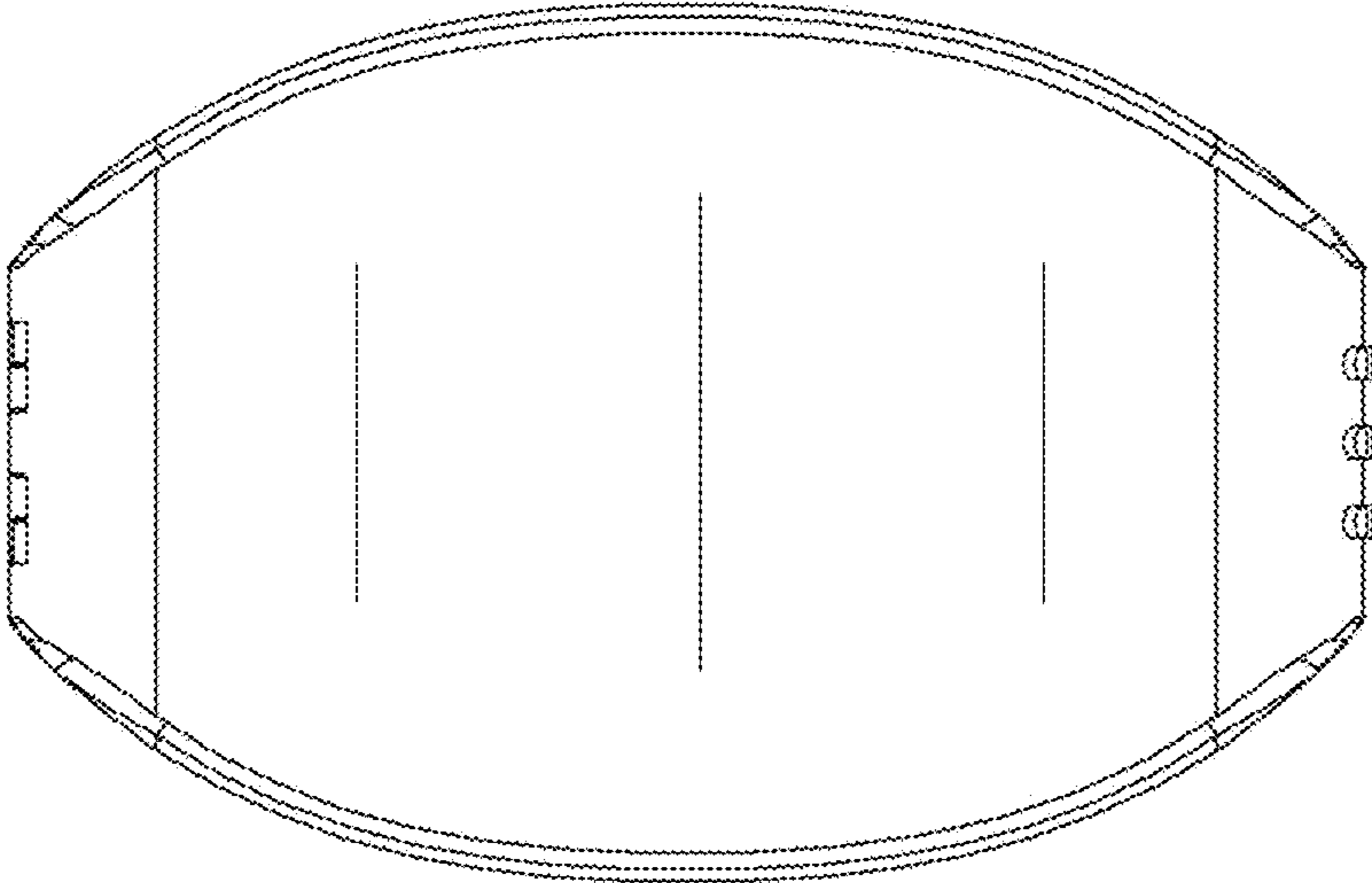


FIG. 7

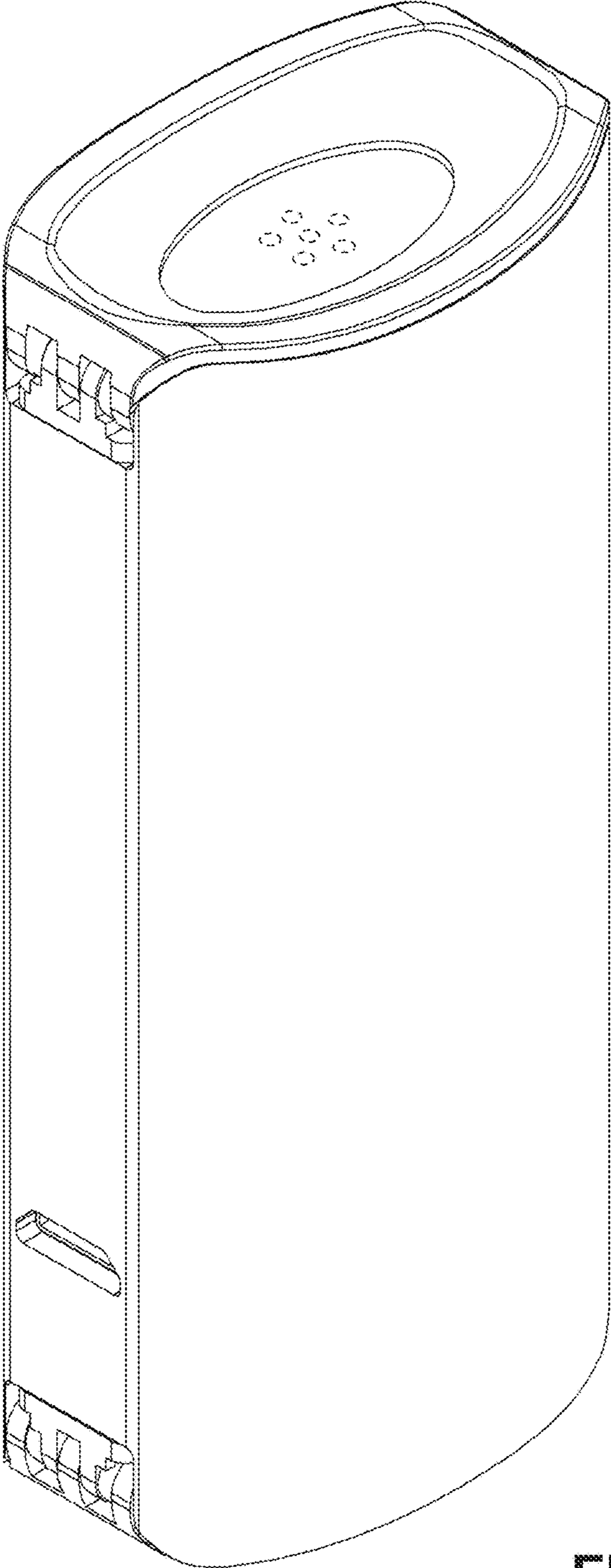


FIG. 8

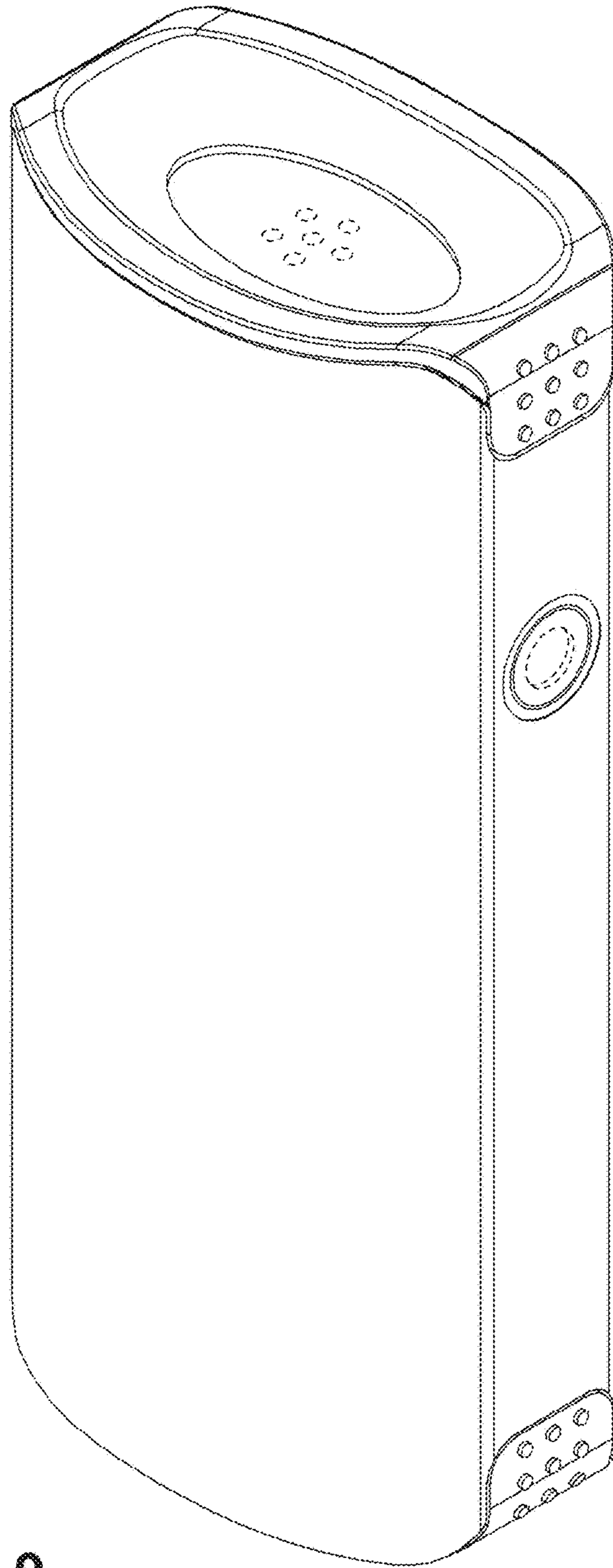


FIG. 9

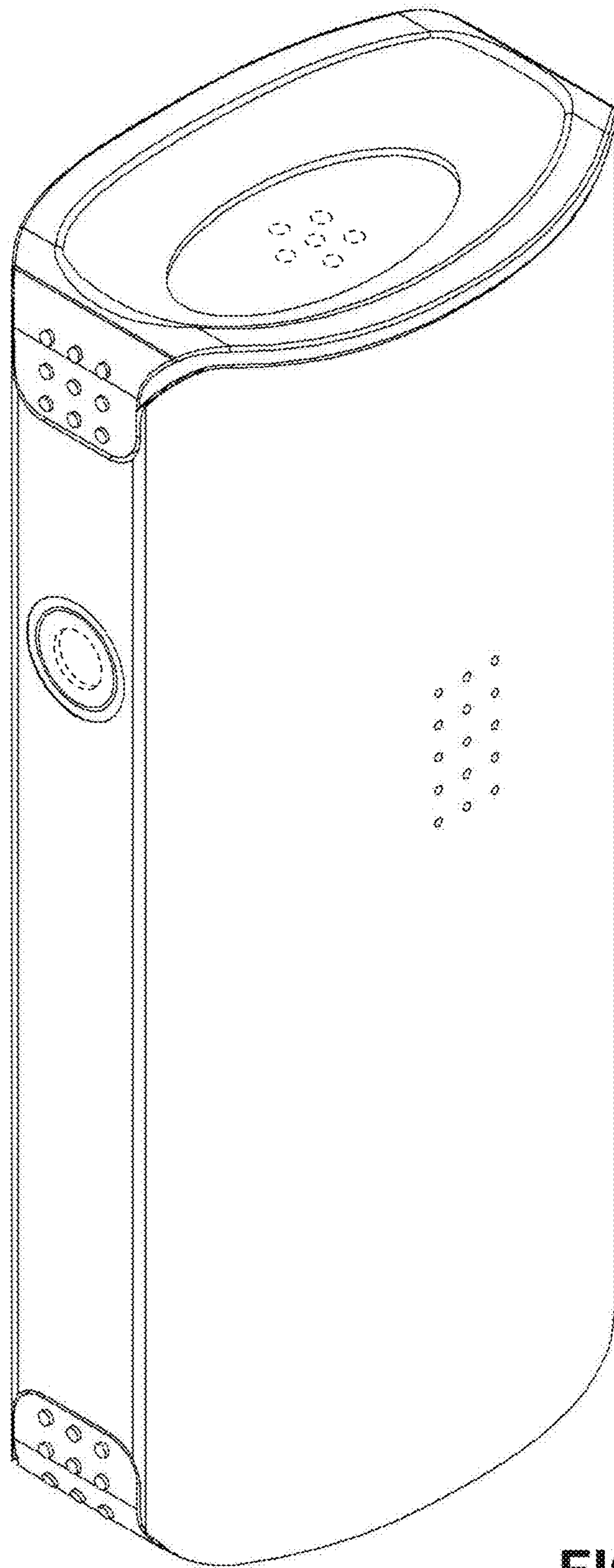


FIG. 10

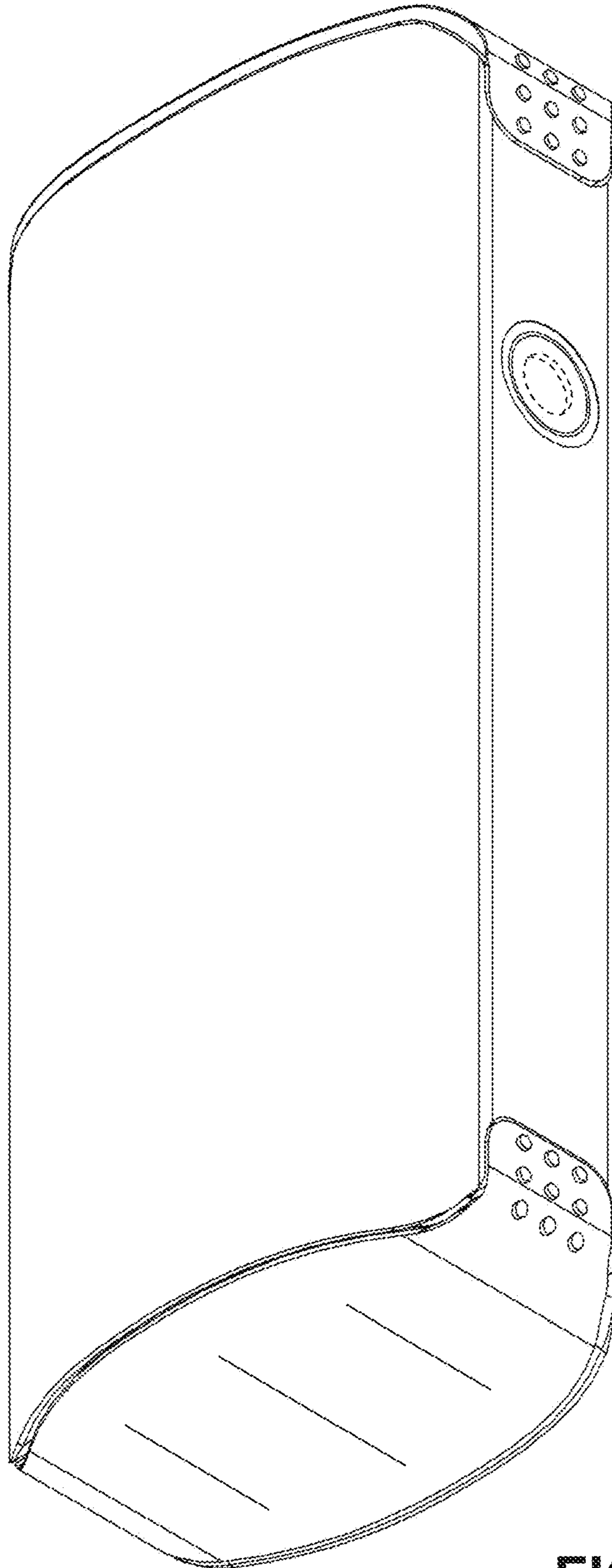


FIG. 11

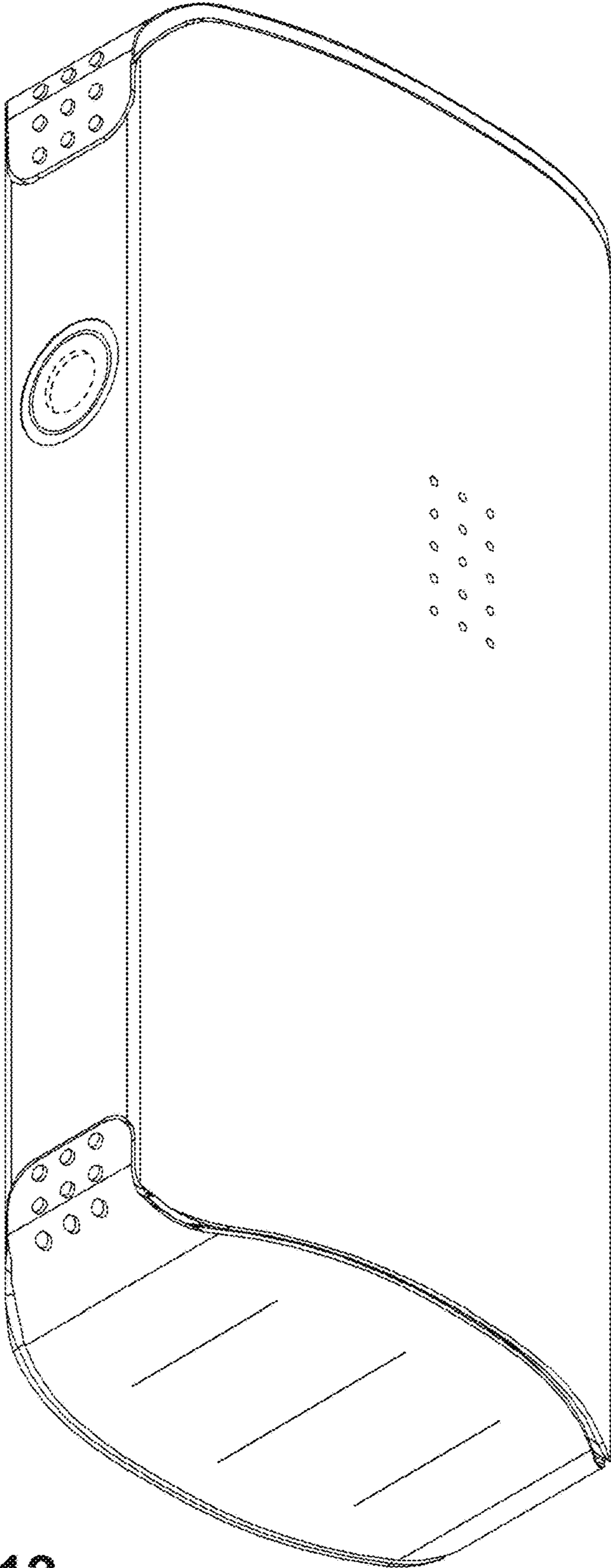


FIG. 12

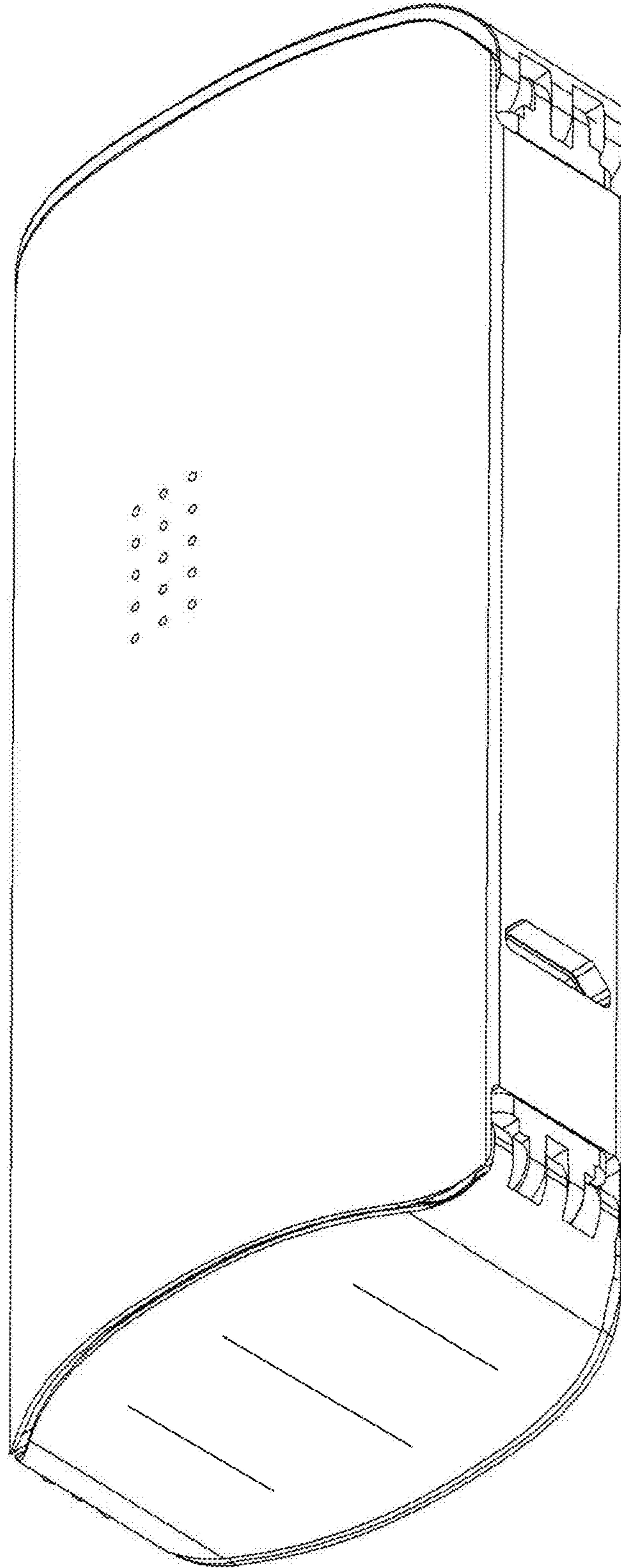


FIG. 13

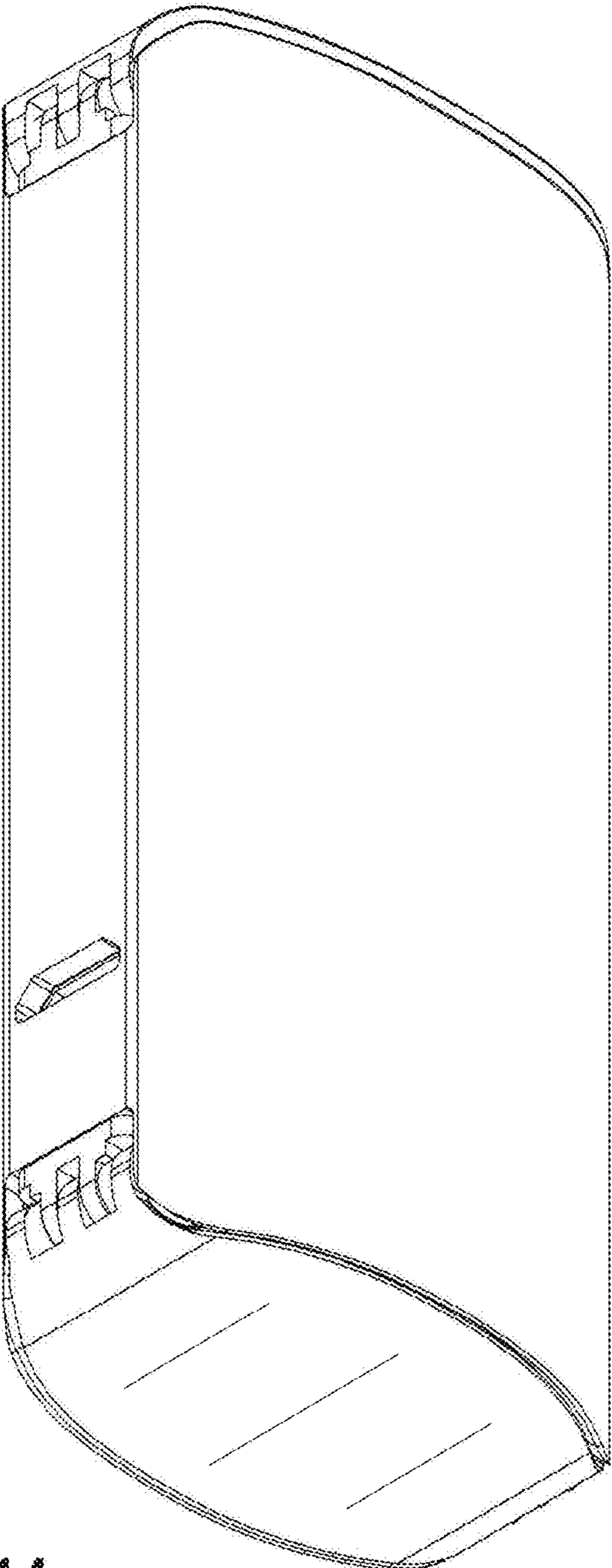


FIG. 14

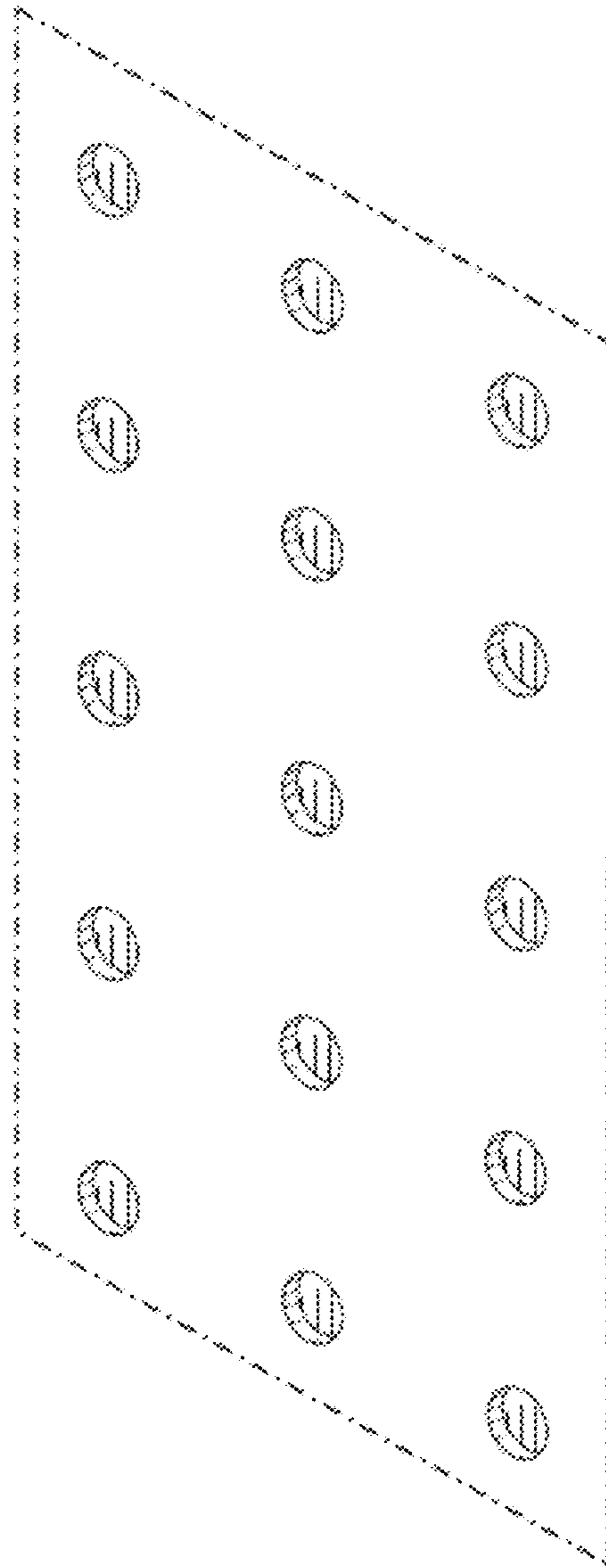


FIG. 15