



US00D851325S

(12) **United States Design Patent**  
**Wang**

(10) **Patent No.:** **US D851,325 S**  
(45) **Date of Patent:** **\*\* Jun. 11, 2019**

(54) **OUTDOOR LAMP**

(71) Applicant: **Xiaodong Wang**, Henan (CN)

(72) Inventor: **Xiaodong Wang**, Henan (CN)

(\*\*) Term: **15 Years**

(21) Appl. No.: **29/623,065**

(22) Filed: **Oct. 23, 2017**

(51) **LOC (11) Cl.** ..... **26-99**

(52) **U.S. Cl.**  
USPC ..... **D26/113; D26/63**

(58) **Field of Classification Search**

USPC ..... D26/1, 24, 61, 63, 65, 85, 92, 113  
CPC ..... F21V 21/14; F21V 21/00; F21V 14/00;  
F21V 15/01; F21V 14/02; F21V 21/30;  
F21S 8/00; F21S 8/003; F21S 8/043;  
F21Y 2105/001

See application file for complete search history.

(56) **References Cited**

**U.S. PATENT DOCUMENTS**

D573,285 S \* 7/2008 Zettl ..... D26/63  
D587,833 S \* 3/2009 Bina ..... D26/63

D589,636 S \* 3/2009 Pinette ..... D26/63  
D634,871 S \* 3/2011 Wooh ..... D26/63  
D827,896 S \* 9/2018 Yang ..... D26/63  
D827,897 S \* 9/2018 Yang ..... D26/63  
D829,356 S \* 9/2018 Yang ..... D26/63

\* cited by examiner

*Primary Examiner* — Brian N. Vinson

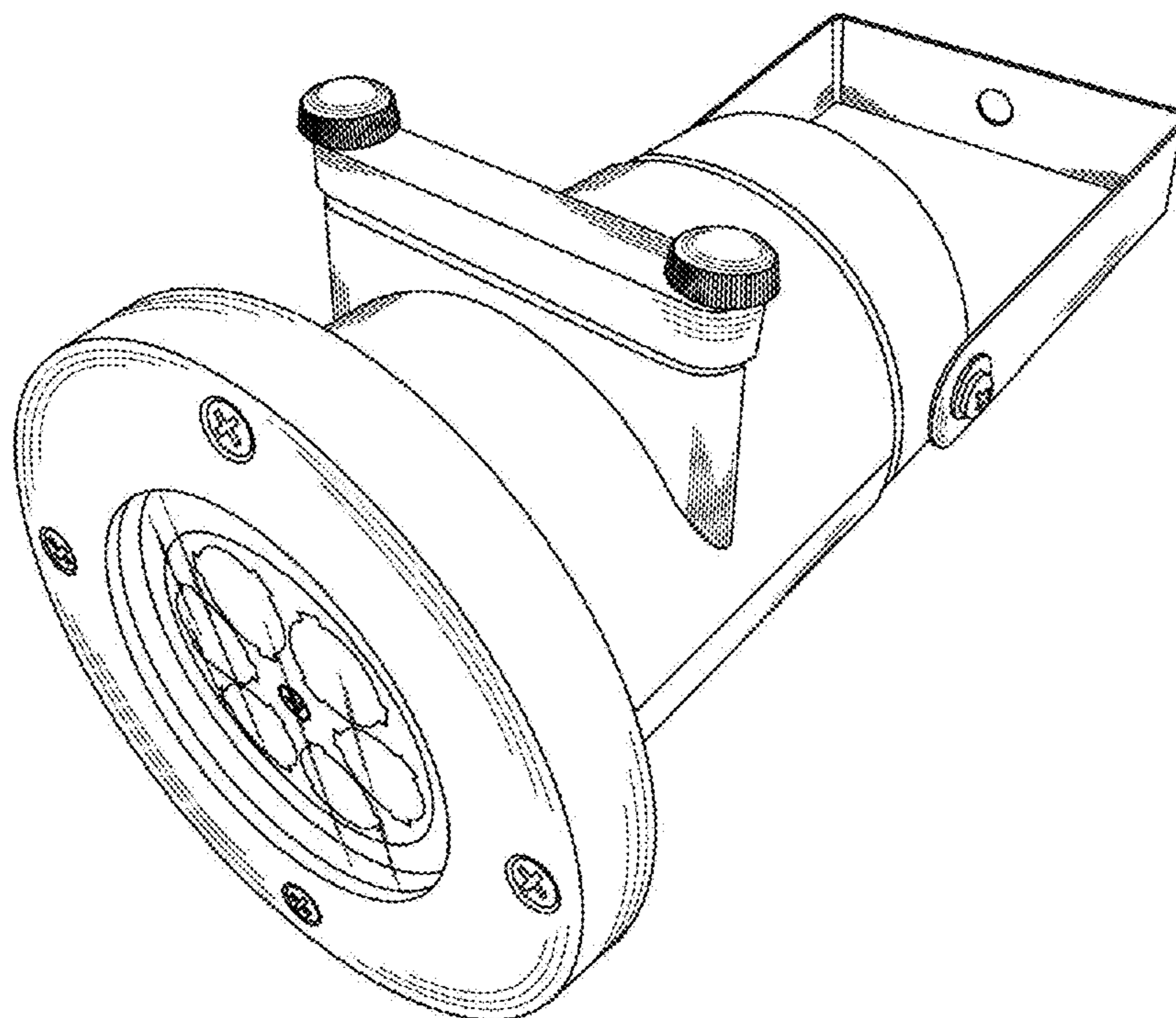
(57) **CLAIM**

I claim the ornamental design for an outdoor lamp, as shown and described.

**DESCRIPTION**

FIG. 1 is a perspective view of an outdoor lamp showing my new design;  
FIG. 2 is a front elevational view thereof;  
FIG. 3 is a rear elevational view thereof;  
FIG. 4 is a left side elevational view thereof;  
FIG. 5 is a right side elevational view thereof;  
FIG. 6 is a top plan view thereof; and,  
FIG. 7 is a bottom plan view thereof.

**1 Claim, 7 Drawing Sheets**



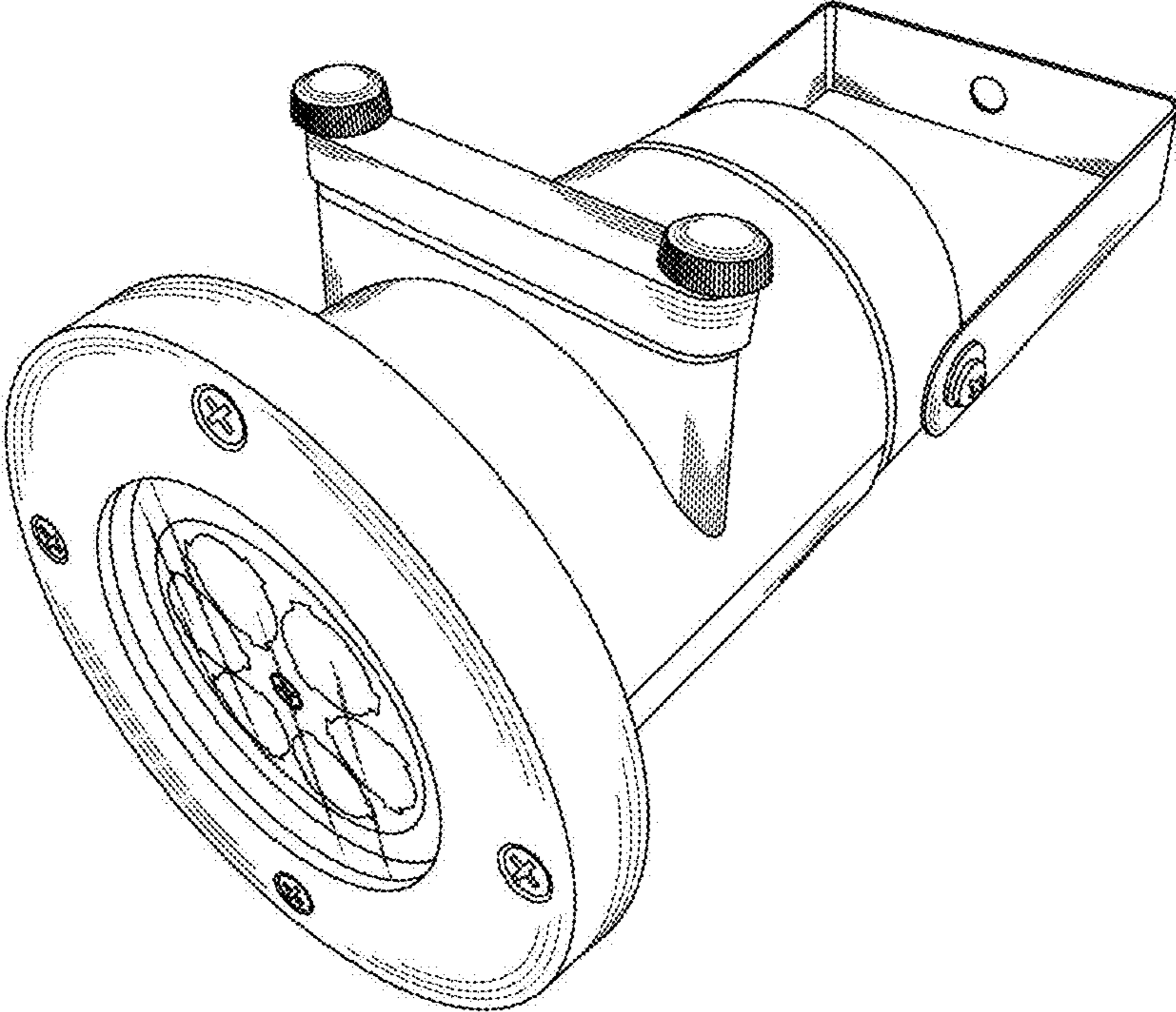


FIG.1

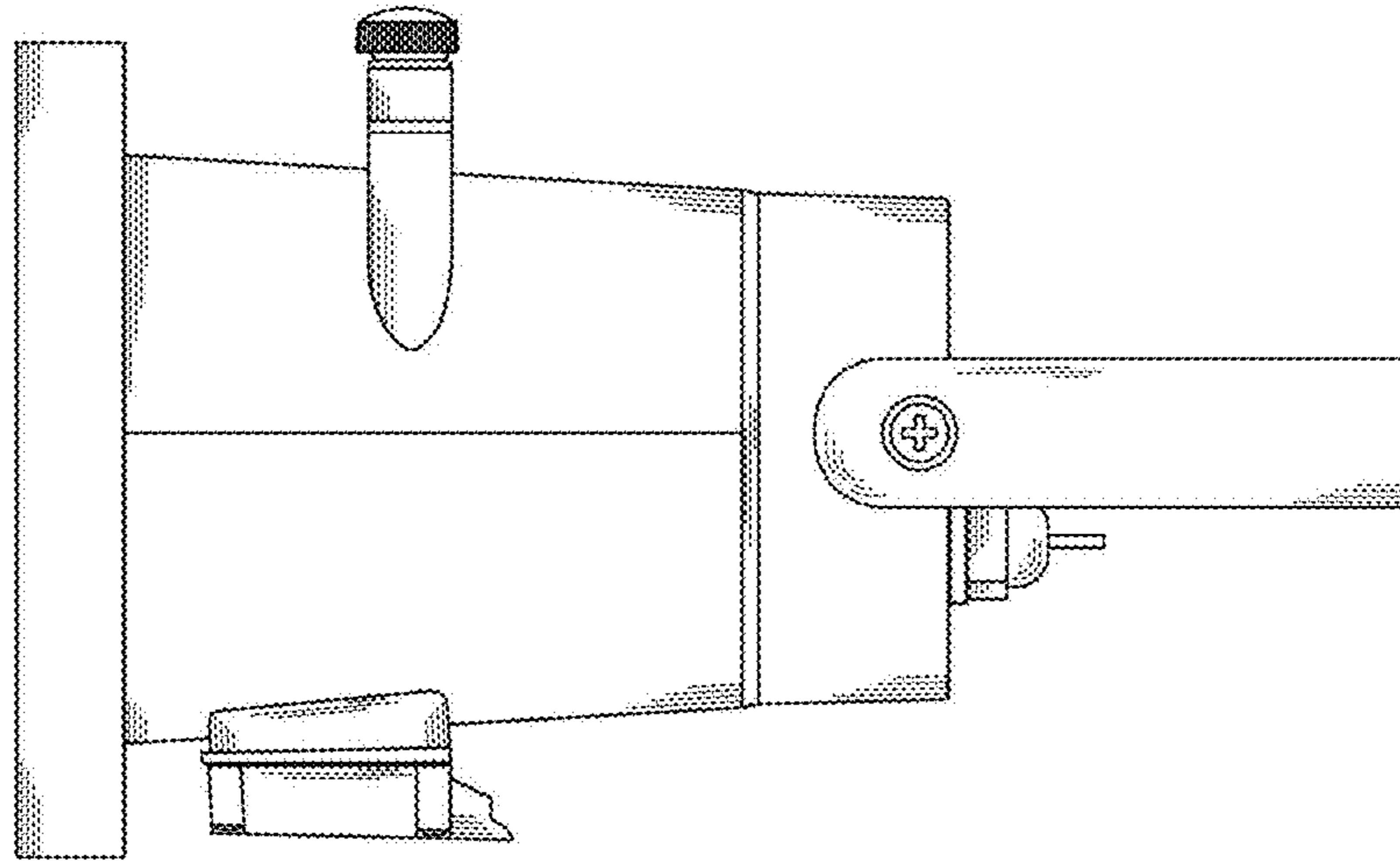


FIG.2

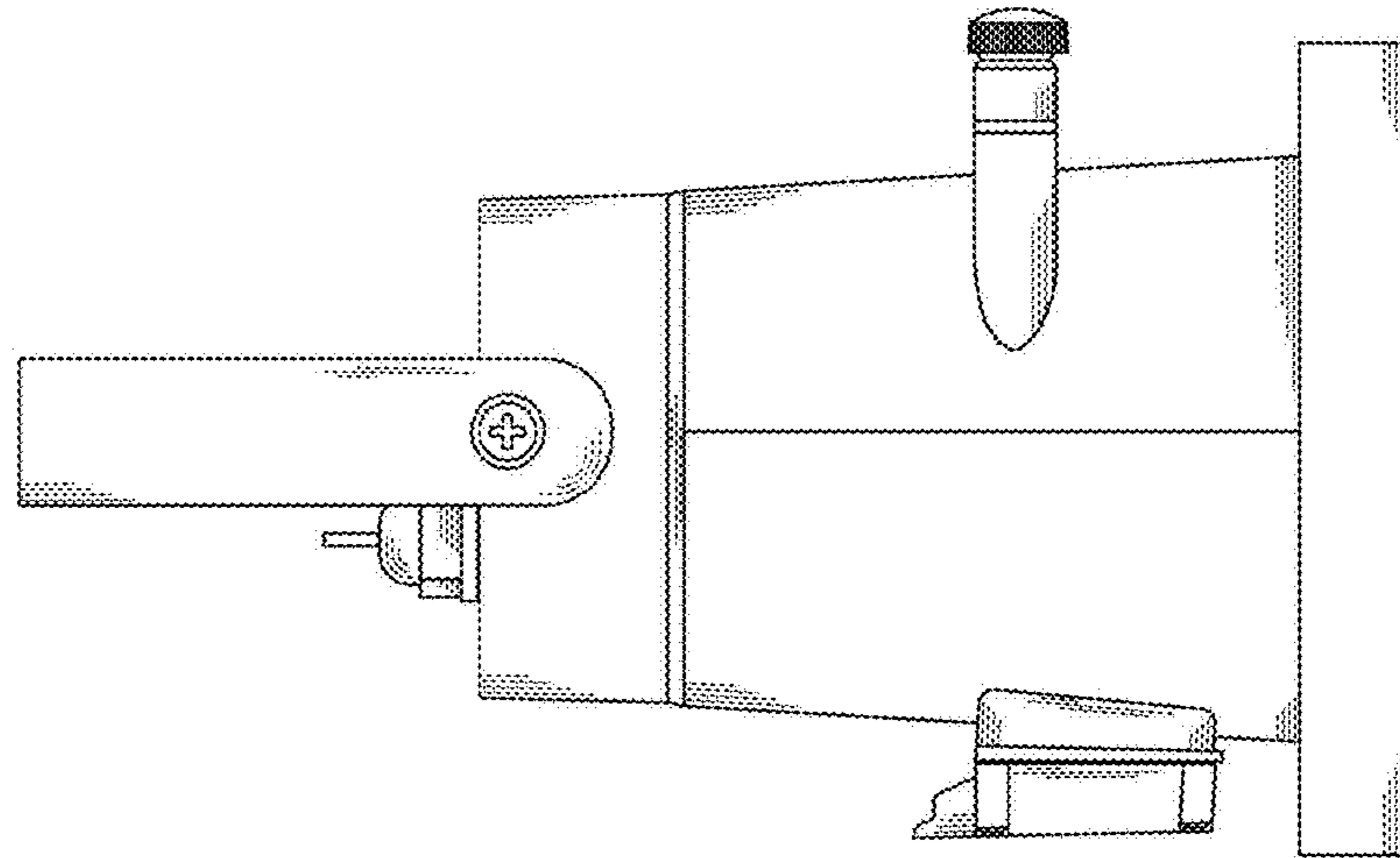


FIG.3

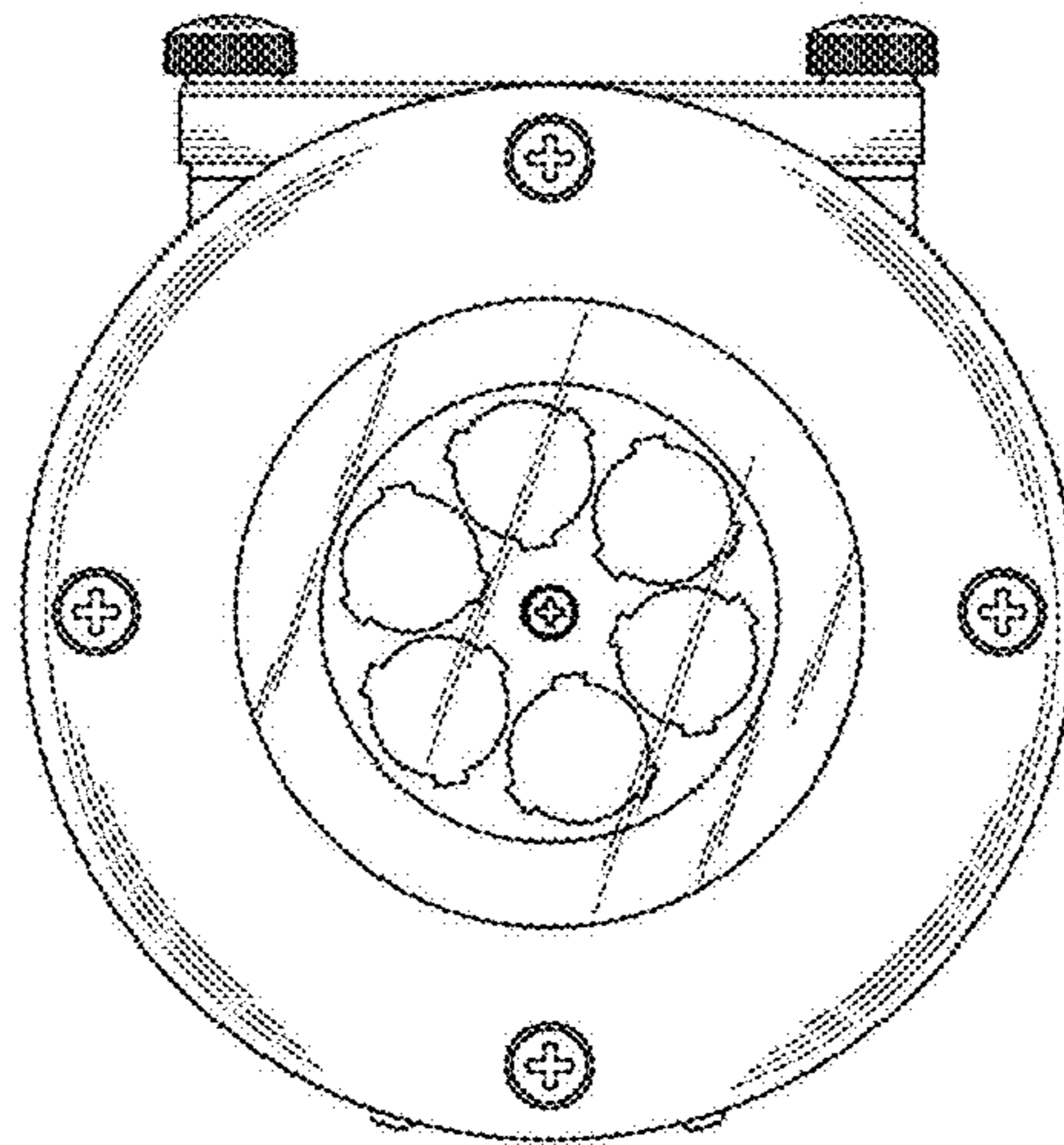


FIG.4

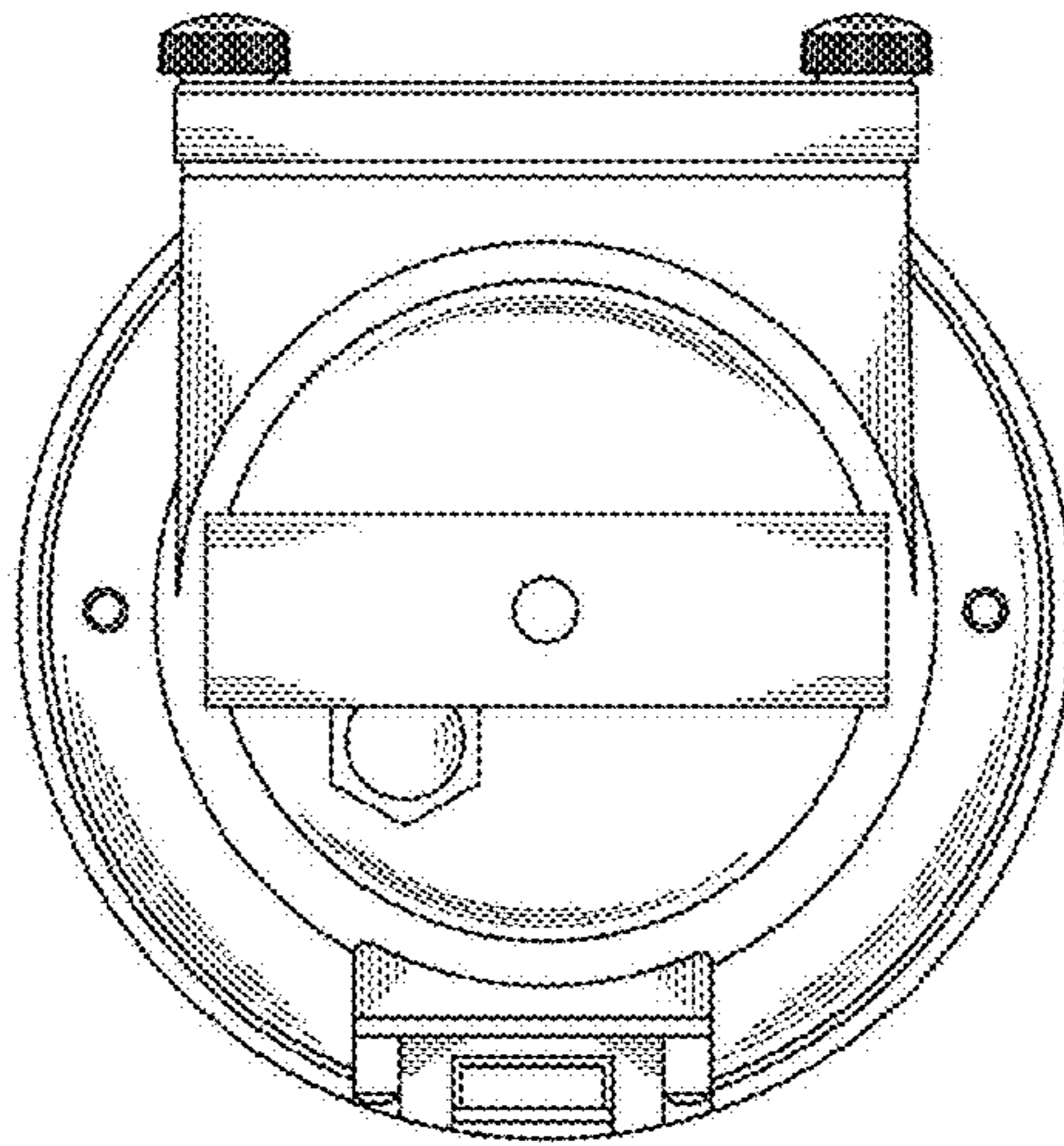


FIG.5

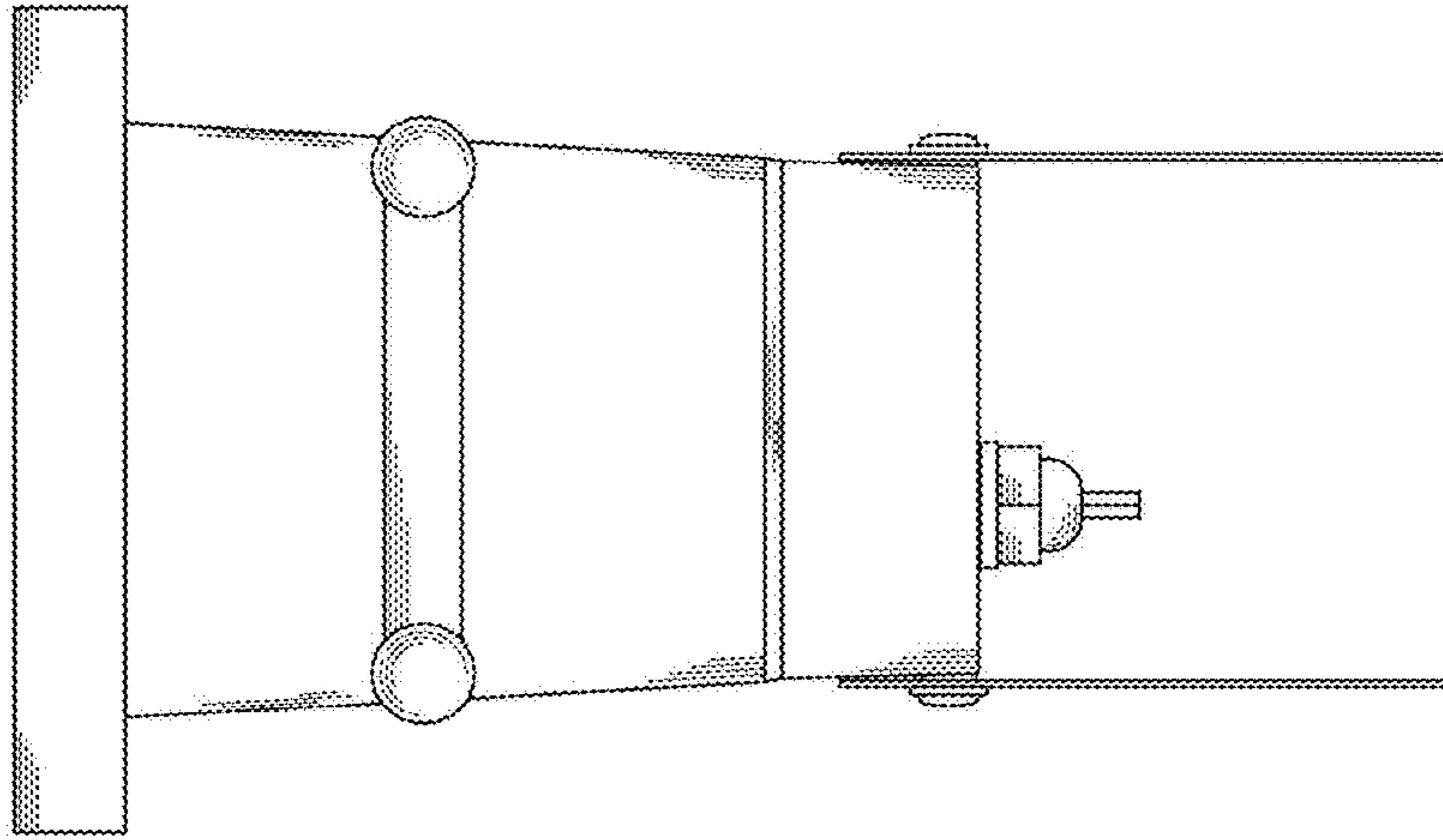


FIG.6

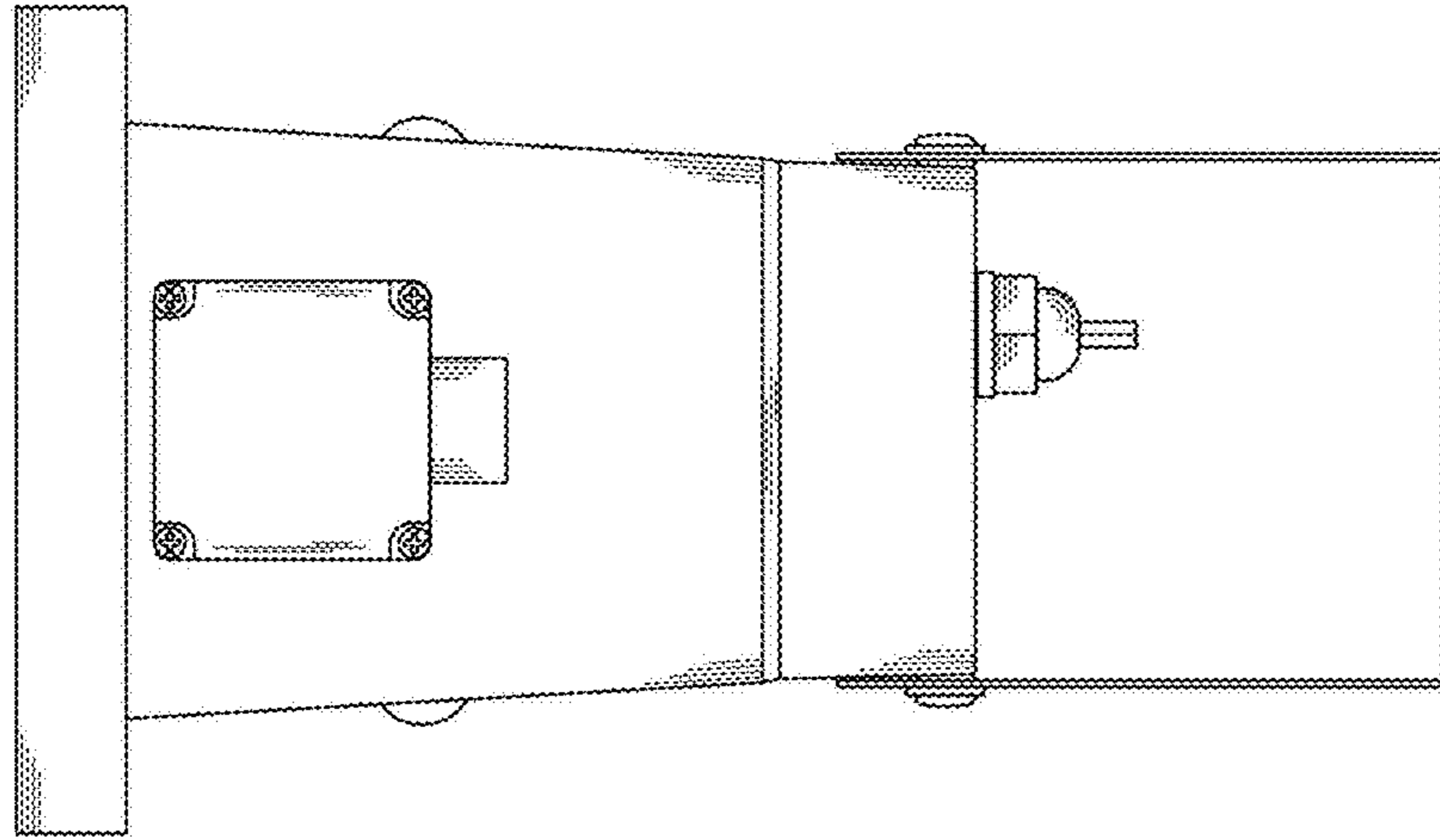


FIG.7