



US00D851321S

(12) **United States Design Patent**
Vanslambrouck

(10) **Patent No.:** **US D851,321 S**
(45) **Date of Patent:** **** Jun. 11, 2019**

- (54) **CEILING LIGHTING FIXTURE**
- (71) Applicant: **SIGNIFY HOLDING B.V.**, Eindhoven (NL)
- (72) Inventor: **Frederik André Martin Vanslambrouck**, Oostrozebeke (BE)
- (73) Assignee: **SIGNIFY HOLDING B.V.**, Eindhoven (NL)
- (**) Term: **15 Years**
- (21) Appl. No.: **35/502,690**
- (22) Filed: **Feb. 28, 2017**
- (80) **Hague Agreement Data**
 Int. Filing Date: **Feb. 28, 2017**
 Int. Reg. No.: **DM/095257**
 Int. Reg. Date: **Feb. 28, 2017**
 Int. Reg. Pub. Date: **Mar. 24, 2017**

D501,573 S *	2/2005	Benensohn	D26/89
D549,385 S *	8/2007	Lissoni	D26/89
D556,938 S *	12/2007	Russello	D26/89
D558,386 S *	12/2007	Bickler	D26/89
D578,243 S *	10/2008	Salatto-Rose	D26/89
D583,981 S *	12/2008	Meyer	D26/89
D601,744 S *	10/2009	Sakuma	D26/89
D617,035 S *	6/2010	Sabernig	D26/79
D630,368 S *	1/2011	de Rijck	D26/89
D633,644 S *	3/2011	Sprengers	D26/89
D639,488 S *	6/2011	Yoshida	D26/89
D641,518 S *	7/2011	Van den Akker	D26/89
D656,656 S *	3/2012	Wauters	D26/89
D667,985 S *	9/2012	Gielen	D26/89
D712,584 S *	9/2014	Orozco	D26/89
D729,970 S *	5/2015	Jepson	D26/89
D759,877 S *	6/2016	Hewitt	D26/89
D770,076 S *	10/2016	Li	D26/89
D773,102 S *	11/2016	Meise	D26/89
D773,103 S *	11/2016	Recker	D26/89
D776,326 S *	1/2017	Van Winkle	D26/89
D779,106 S *	2/2017	Krueckeberg	D26/89
D780,980 S *	3/2017	Starck	D26/89
D781,487 S *	3/2017	Starck	D26/89

(Continued)

Primary Examiner — Darlington Ly

- (30) **Foreign Application Priority Data**
 Sep. 8, 2016 (EM) 003370600-0003
- (51) **LOC (11) Cl.** **26-03**
- (52) **U.S. Cl.**
 USPC **D26/89**
- (58) **Field of Classification Search**
 USPC D26/67, 72, 83, 85, 86, 88, 89
 CPC F21S 8/06; F21S 8/061; F21S 8/063; F21S
 8/065; F21S 8/068; F21V 3/0418; F21V
 3/0427; F21V 3/0436; F21V 3/0445;
 F21V 21/008; F21V 21/104
 See application file for complete search history.

- (56) **References Cited**
 U.S. PATENT DOCUMENTS

D213,464 S *	3/1969	Meyer	D26/89
D493,246 S *	7/2004	Benensohn	D26/79

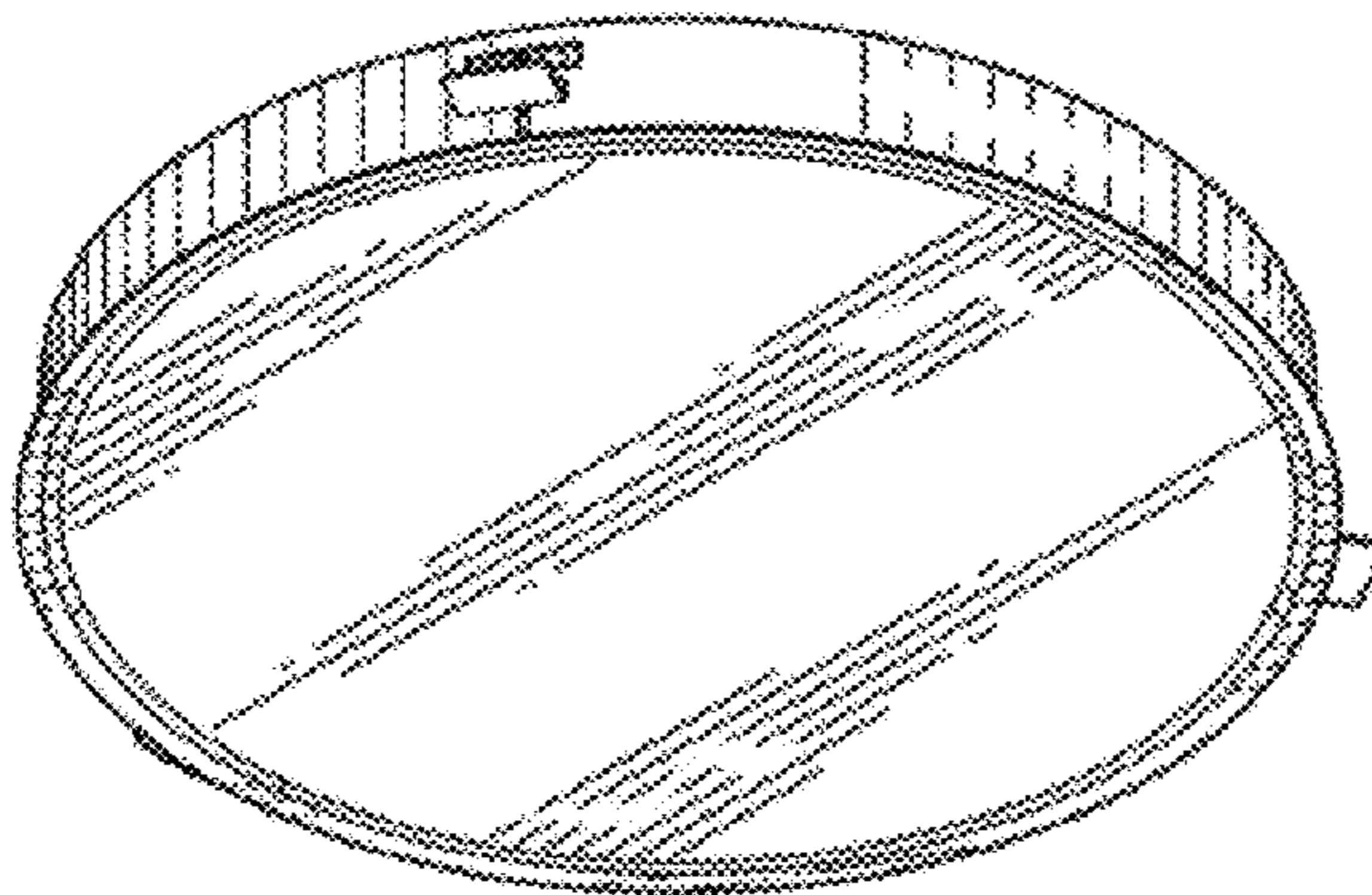
(57) **CLAIM**

The ornamental design for a ceiling lighting fixture, as shown and described.

DESCRIPTION

1.1 is a perspective view of a ceiling lighting fixture showing my new design;
 1.2 is a front elevation view thereof;
 1.3 is a rear elevation view thereof;
 1.4 is a right side elevation view thereof;
 1.5 is a left side elevation view thereof; and,
 1.6 is a bottom plan view thereof.
 The broken lines in the reproductions illustrate portions of the ceiling lighting fixture that form not part of the claimed design.

1 Claim, 3 Drawing Sheets



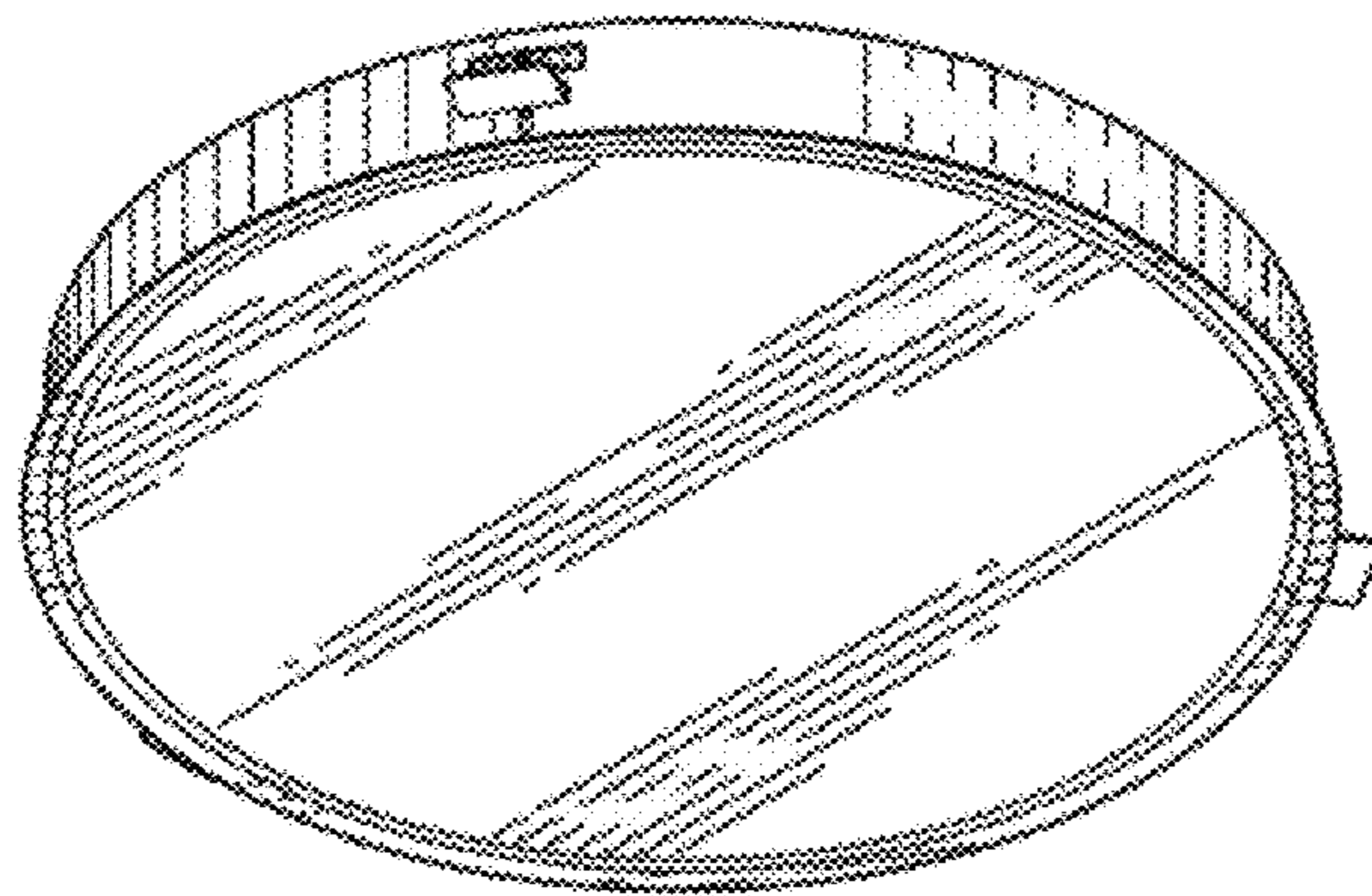
(56)

References Cited

U.S. PATENT DOCUMENTS

D785,848 S *	5/2017	Couture	D26/89
D794,864 S *	8/2017	Sonneman	D26/87
D797,980 S *	9/2017	Maxik	D26/89
D800,370 S *	10/2017	Sonneman	D26/89

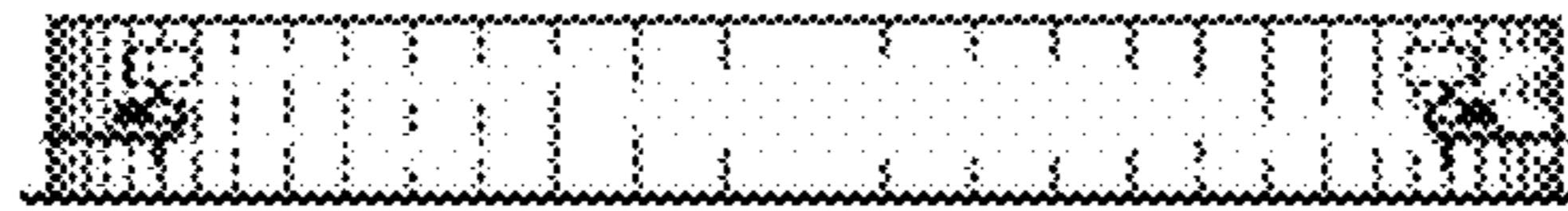
* cited by examiner



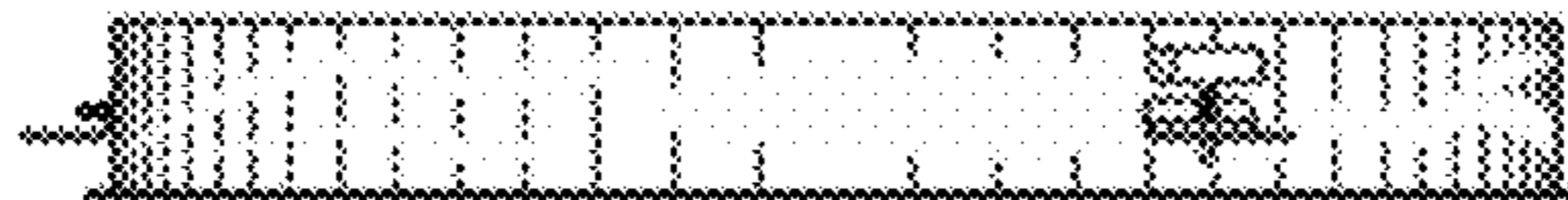
1.1



1.2



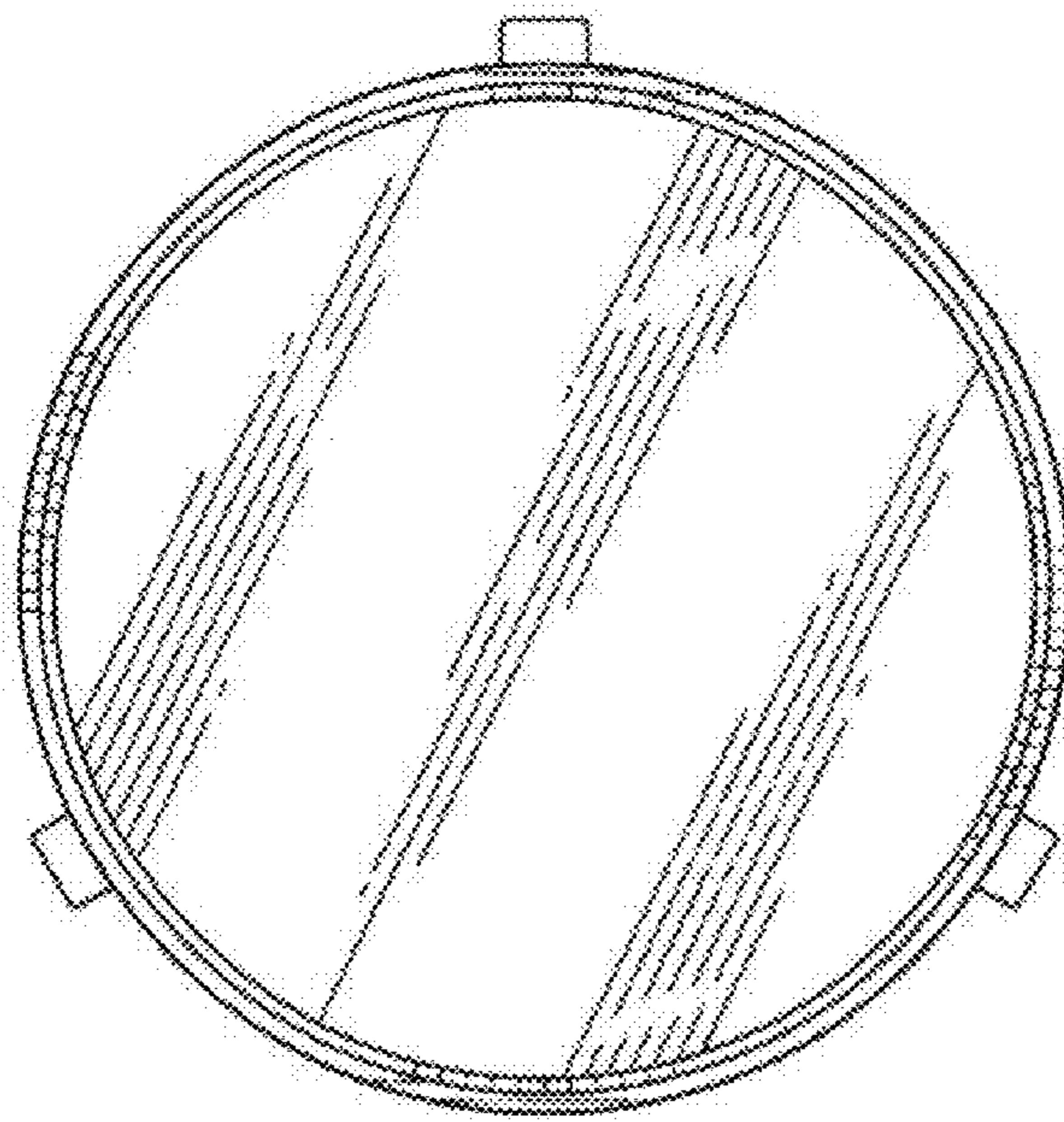
1.3



1.4



1.5



1.6