



US00D851318S

(12) **United States Design Patent** (10) **Patent No.:** **US D851,318 S**
Amato et al. (45) **Date of Patent:** **** Jun. 11, 2019**

(54) **LIGHTING FIXTURE**

(71) Applicant: **The Urban Electric Company**, North Charleston, SC (US)

(72) Inventors: **Michael Amato**, London (GB); **David Dawson**, Charleston, SC (US); **Jonathan Charpia**, Summerville, SC (US); **Joeangel Casanova**, North Charleston, SC (US); **Brianna Magagnoli**, North Charleston, SC (US); **Janis Golubeckis**, Mount Pleasant, SC (US)

(73) Assignee: **The Urban Electric Company**, North Charleston, SC (US)

(**) Term: **15 Years**

(21) Appl. No.: **29/642,742**

(22) Filed: **Apr. 2, 2018**

(51) **LOC (11) Cl.** **26-03**

(52) **U.S. Cl.**
USPC **D26/87**

(58) **Field of Classification Search**
USPC D26/72, 80-92, 118
CPC F21S 8/03; F21S 8/033; F21S 8/036; F21S 8/037; F21S 8/038; F21S 8/04; F21S 8/043; F21S 8/046; F21S 8/06; F21S 8/061; F21S 8/063; F21S 8/065; F21S 8/068

See application file for complete search history.

(56) **References Cited**

U.S. PATENT DOCUMENTS

D83,940 S * 4/1931 Aglow D26/81
D195,350 S * 6/1963 Simkins D26/85
D384,764 S * 10/1997 Littman D26/87
D403,097 S * 12/1998 Littman D26/87

D413,998 S * 9/1999 Littman D26/87
D438,665 S * 3/2001 Rochon D26/87
D441,125 S * 4/2001 Crosby D26/87
D487,815 S * 3/2004 Hoernig D26/87
D539,962 S * 4/2007 Hsu D26/81
D563,024 S * 2/2008 Hetfield D26/72
D617,034 S * 6/2010 Compton D26/85
D629,955 S * 12/2010 Compton D26/85
D731,694 S * 6/2015 Tomlinson D26/87

OTHER PUBLICATIONS

1 Light Wall Sconce, Model No. 1721-AGB from the Soriano Collection by Hudson Valley Lighting. Found at jacklondonkitchenandbath.com, visited Mar. 7, 2019. (Year: 2019).*
FINN wall sconce from Urban Electric, spec sheet ©2019. urbanelectric.com visited Mar. 12, 2019. (Year: 2019).*

* cited by examiner

Primary Examiner — Clare E Heflin

(74) *Attorney, Agent, or Firm* — Jeffrey T. Stover; Haynsworth Sinkler Boyd, P.A.

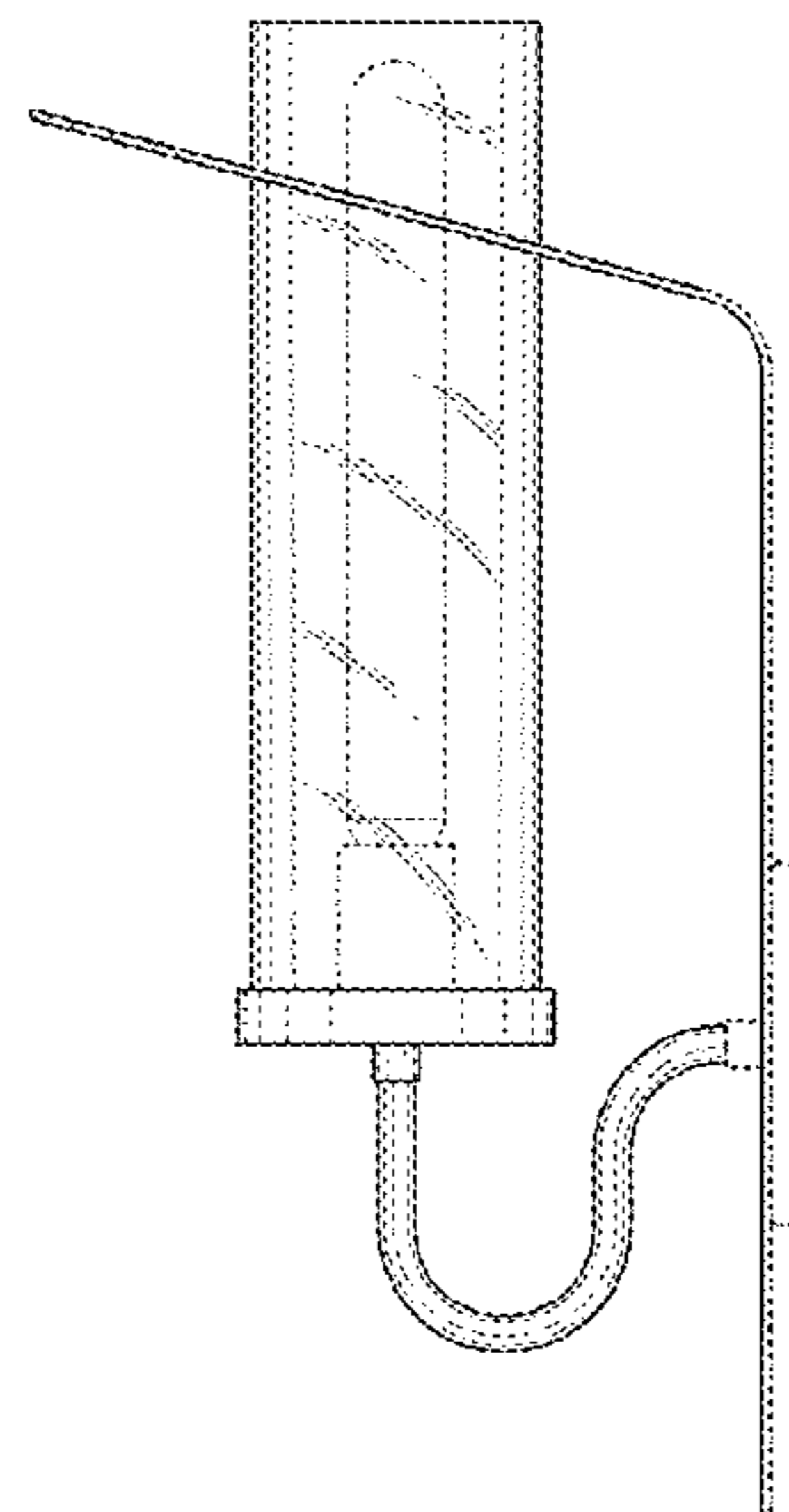
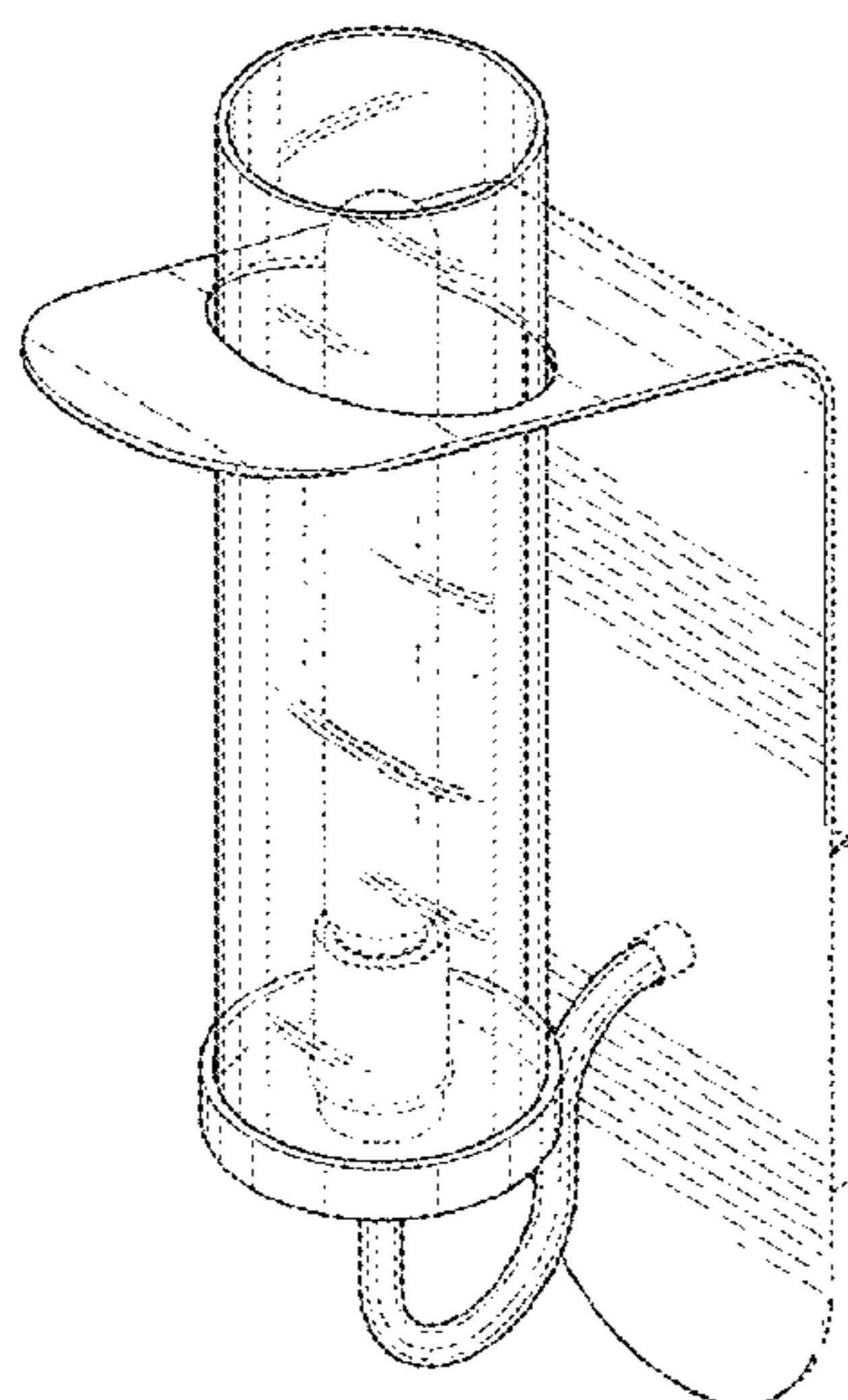
(57) **CLAIM**

The ornamental design for a lighting fixture, as shown and described.

DESCRIPTION

FIG. 1 is a front perspective view of a new lighting fixture; FIG. 2 is a back perspective view thereof; FIG. 3 is a front elevational view thereof; FIG. 4 is a left elevational view thereof; FIG. 5 is a right elevational view thereof; FIG. 6 is a top plan view thereof; FIG. 7 is a bottom plan view thereof; and, FIG. 8 is a back elevational view thereof. The broken line disclosures in the views represent portions of the lighting fixture which form no part of the claimed design.

1 Claim, 8 Drawing Sheets



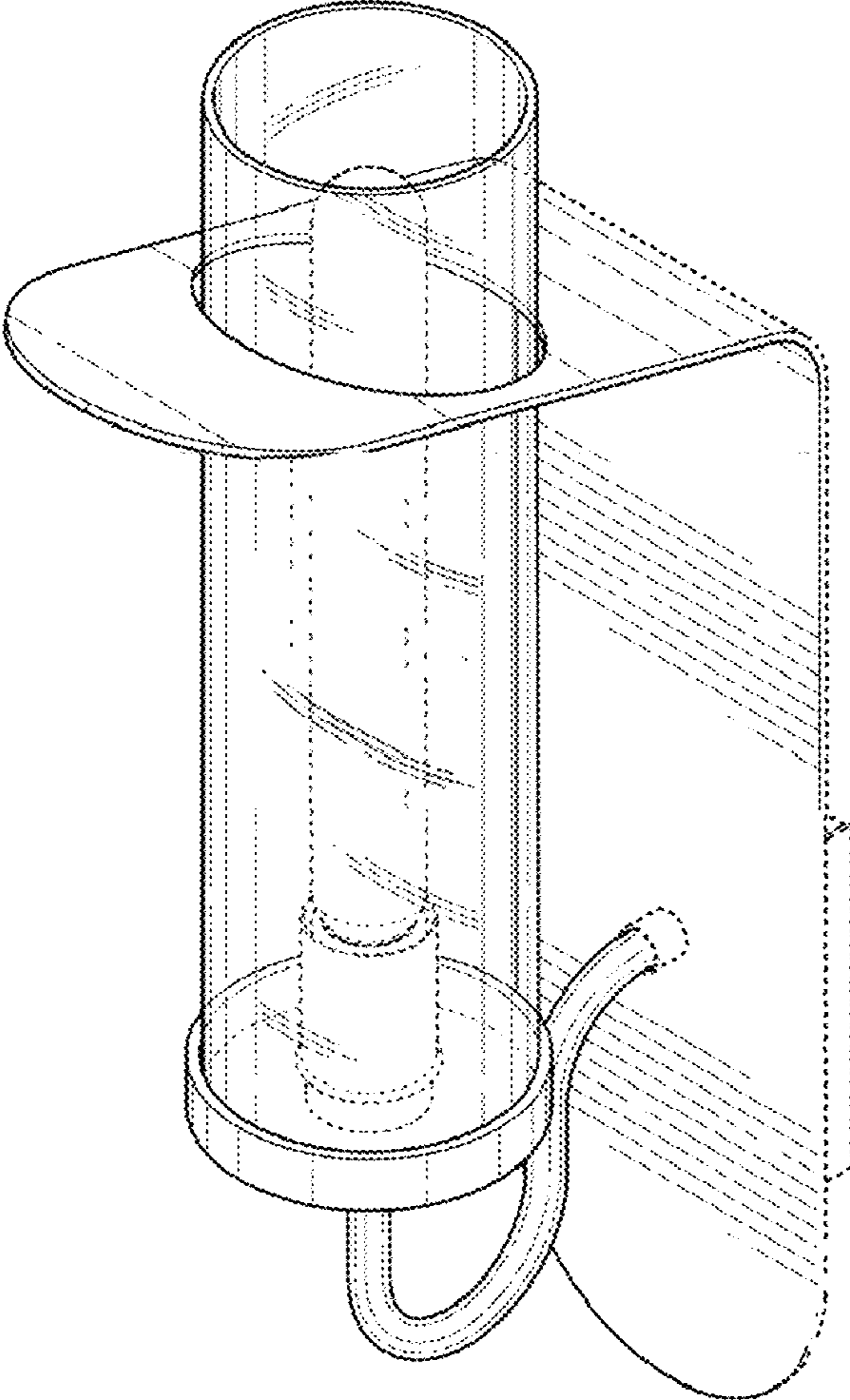


FIG. 1

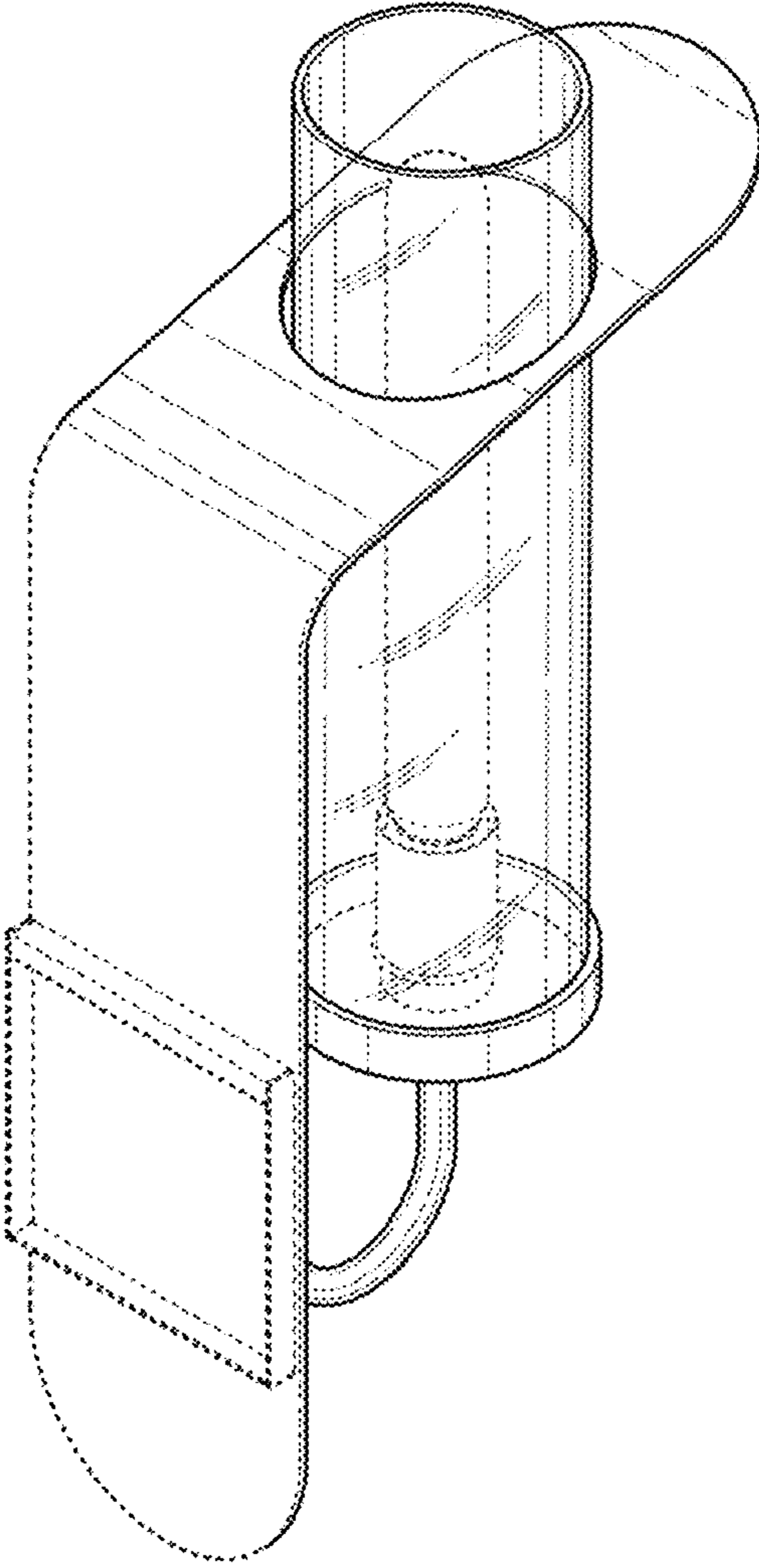


FIG. 2

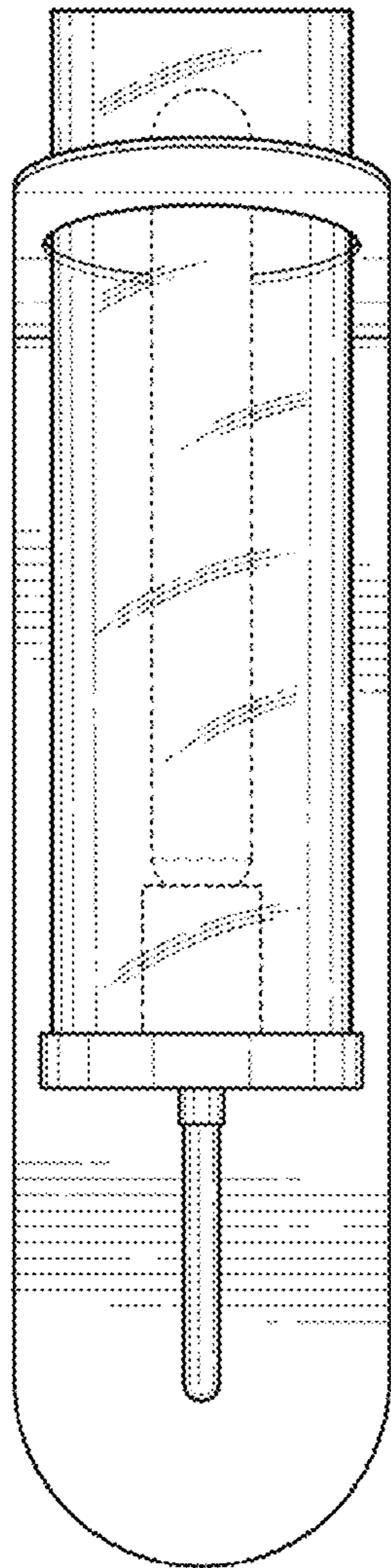


FIG. 3

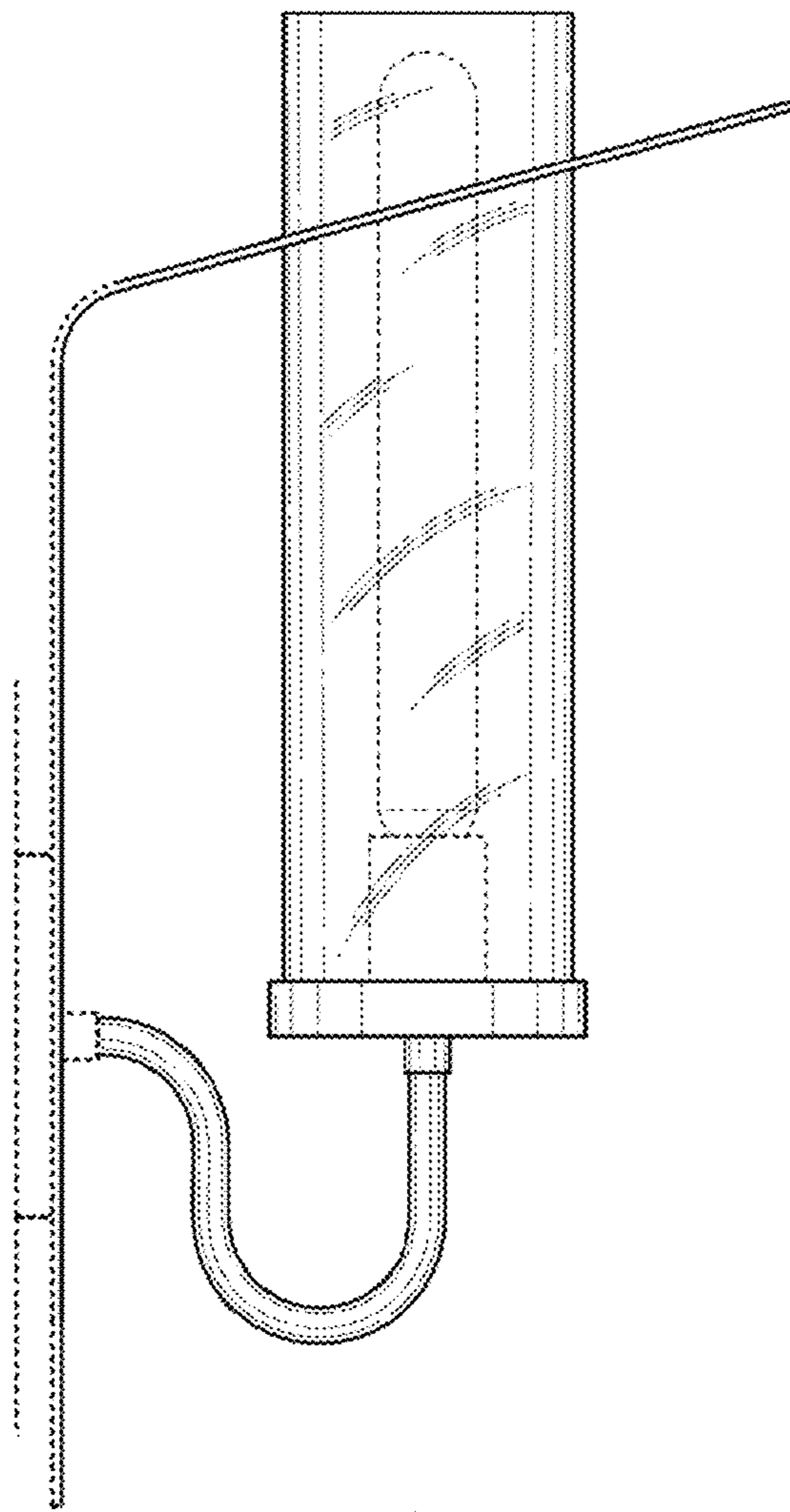


FIG. 4

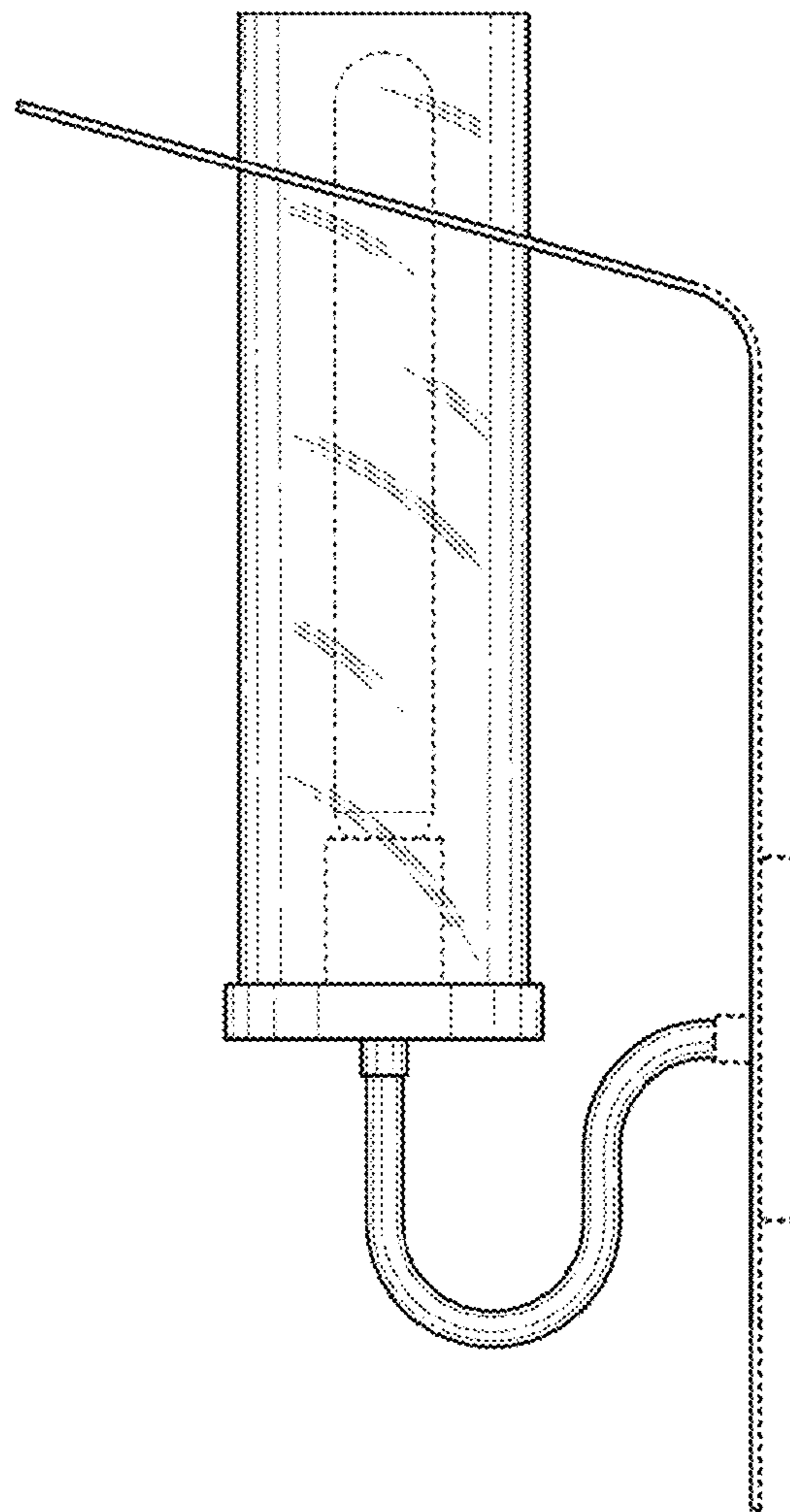


FIG. 5

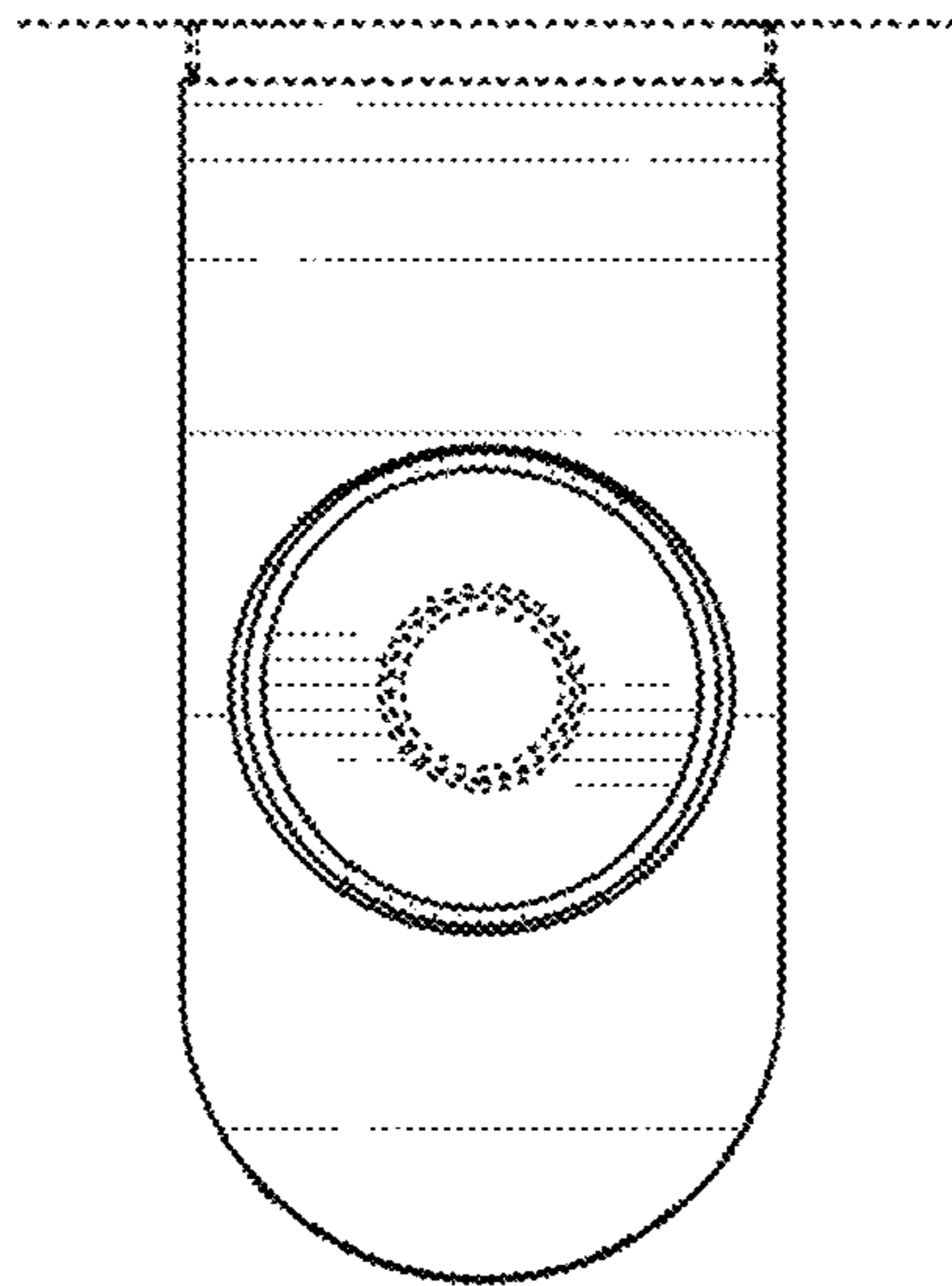


FIG. 6

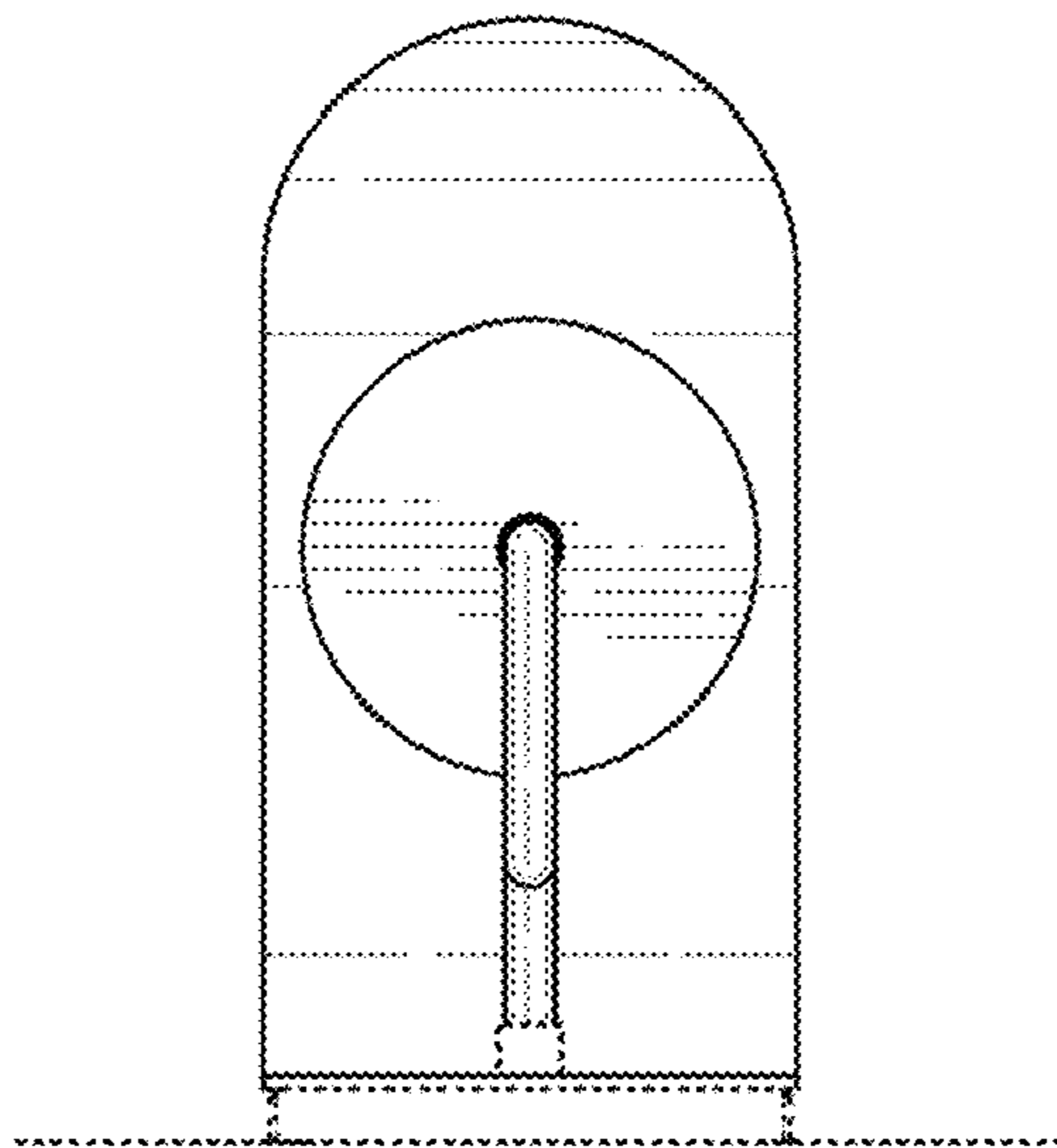


FIG. 7

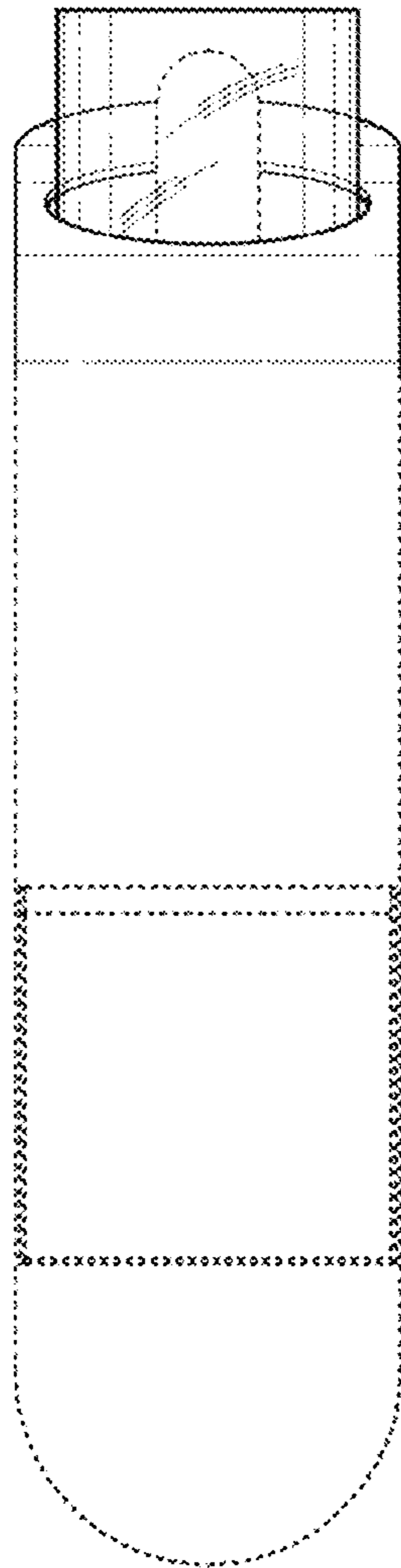


FIG. 8