



US00D851316S

(12) **United States Design Patent**  
**Gregory**

(10) **Patent No.:** **US D851,316 S**

(45) **Date of Patent:** **\*\* Jun. 11, 2019**

(54) **LIGHTING FIXTURE**

(71) Applicant: **SIGNIFY HOLDING B.V.**, Eindhoven (NL)

(72) Inventor: **Dennis Gregory**, Eindhoven (NL)

(73) Assignee: **SIGNIFY HOLDING B.V.**, Eindhoven (NL)

(\*\*) Term: **15 Years**

(21) Appl. No.: **29/608,944**

(22) Filed: **Jun. 27, 2017**

(51) **LOC (11) Cl.** ..... **26-05**

(52) **U.S. Cl.**  
USPC ..... **D26/74**

(58) **Field of Classification Search**  
USPC ..... D26/74, 72, 75, 76, 77, 78, 85, 88, 89,  
D26/118, 138, 141; 362/364, 365, 373,  
362/145, 146, 147, 148, 150, 153, 153.1,  
362/294, 296.01, 296.07, 296.08  
See application file for complete search history.

(56) **References Cited**

**U.S. PATENT DOCUMENTS**

D320,863 S \* 10/1991 Macaluso ..... D26/29  
5,426,572 A \* 6/1995 Weinstock ..... F21S 8/00  
362/133

D624,688 S \* 9/2010 Johnson ..... D26/74  
D627,913 S \* 11/2010 Gielen ..... D26/74  
D639,994 S \* 6/2011 Wauters ..... D26/83  
D641,909 S \* 7/2011 Johnson ..... D26/74  
D646,416 S \* 10/2011 Wauters ..... D26/63  
D646,417 S \* 10/2011 Wauters ..... D26/63  
D662,642 S \* 6/2012 Huang ..... D26/74  
D665,524 S \* 8/2012 Bush ..... D26/76  
D666,349 S \* 8/2012 Sprengers ..... D26/63  
D785,853 S \* 5/2017 DeBellis ..... D26/138  
D791,382 S \* 7/2017 Holscher ..... D26/74  
D791,996 S \* 7/2017 Holscher ..... D26/74  
2016/0320007 A1 \* 11/2016 Araki ..... F21S 8/026

\* cited by examiner

*Primary Examiner* — Angela J Lee

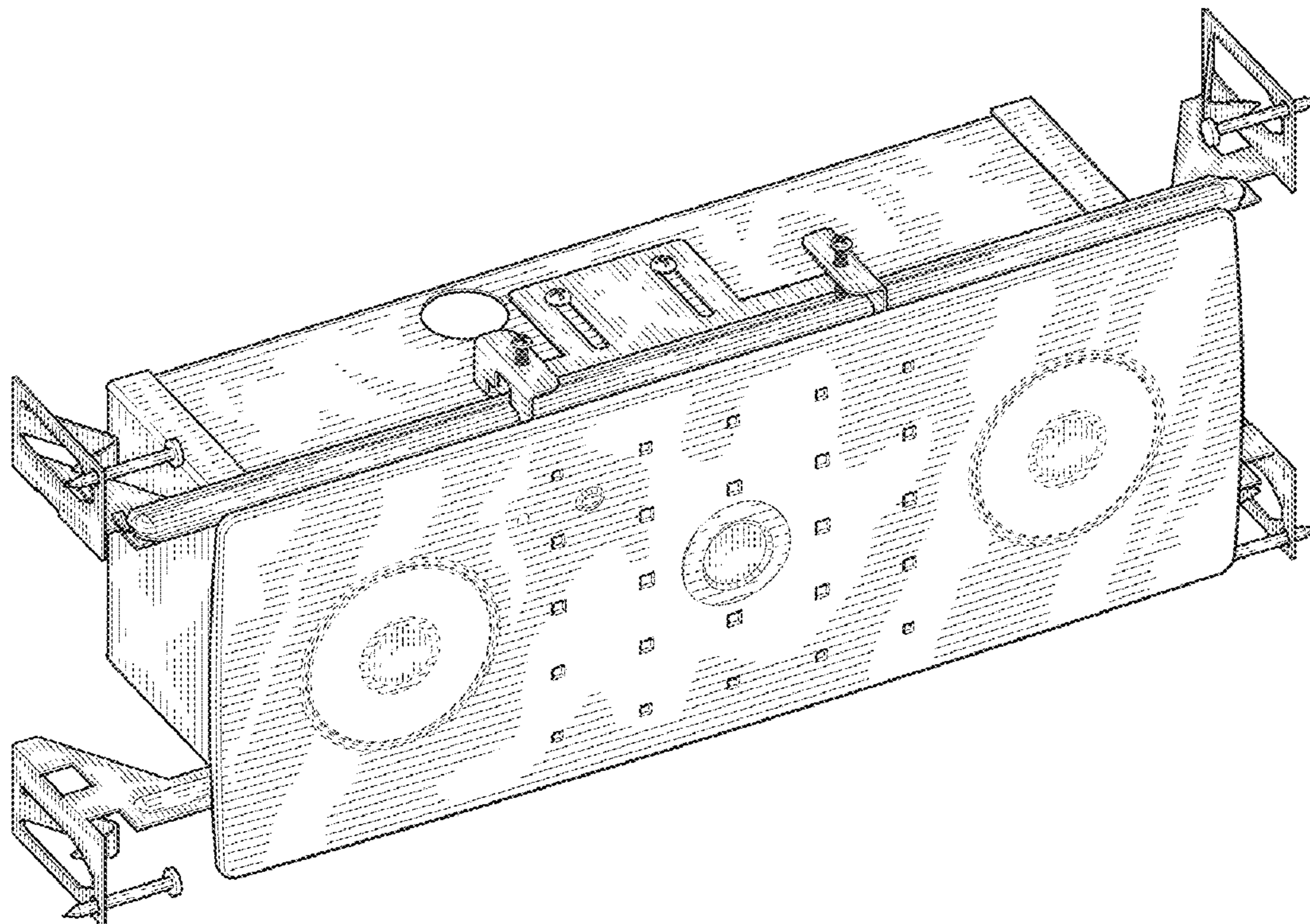
(57) **CLAIM**

The ornamental design for a “lighting fixture”, as shown and described.

**DESCRIPTION**

FIG. 1 is a perspective view showing my design;  
FIG. 2 is a front elevational view thereof;  
FIG. 3 is a rear elevational view thereof;  
FIG. 4 is a right side elevational view thereof;  
FIG. 5 is a left side elevational view thereof;  
FIG. 6 is a top plan view thereof; and,  
FIG. 7 is a bottom plan view thereof.  
The broken lines in the figures illustrate portions of the lighting fixture that form no part of the claimed design.

**1 Claim, 3 Drawing Sheets**



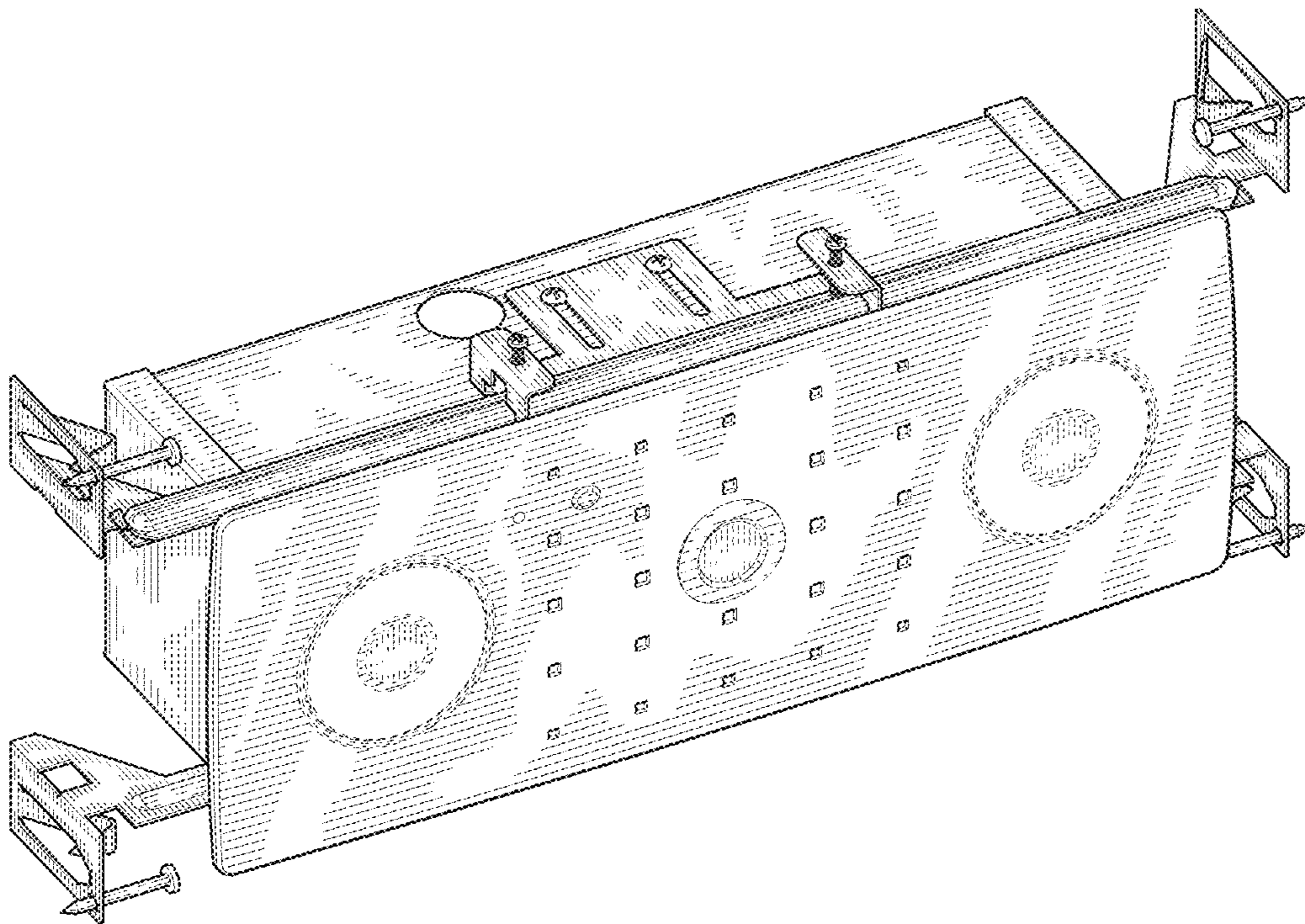


FIG. 1

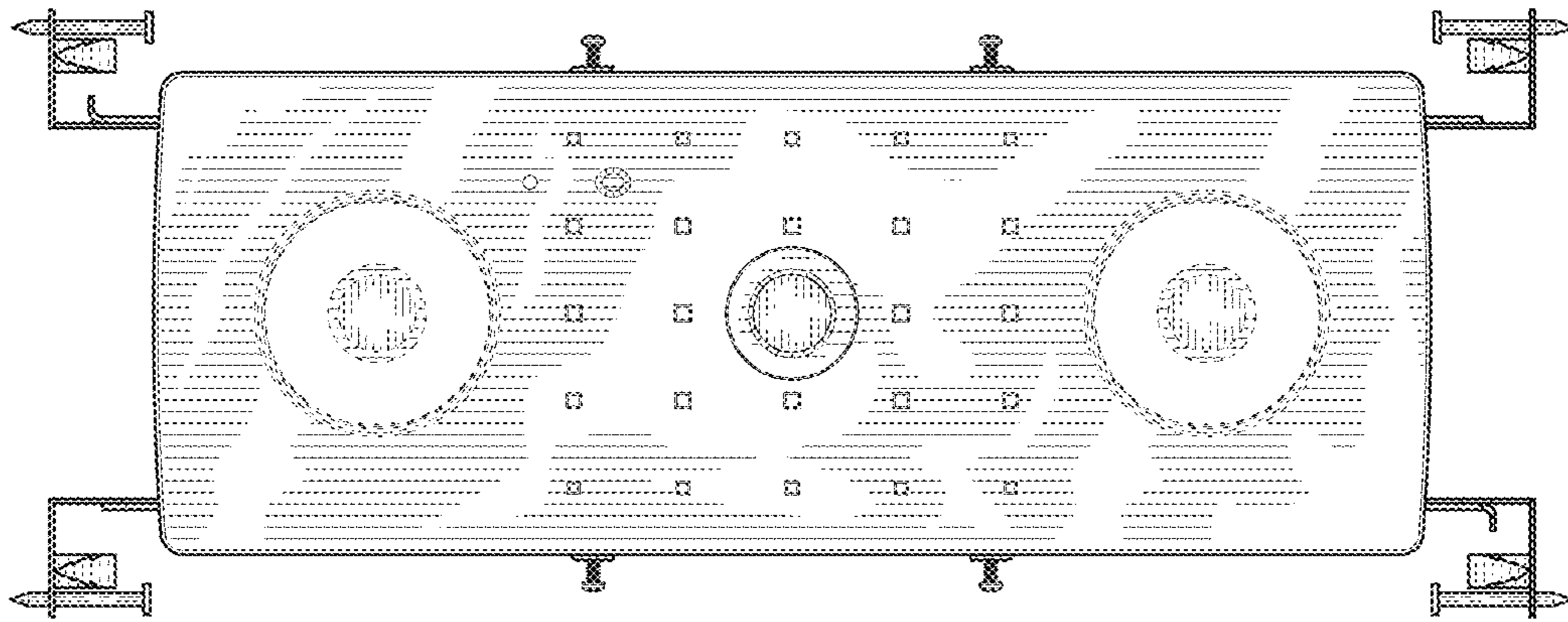


FIG. 2

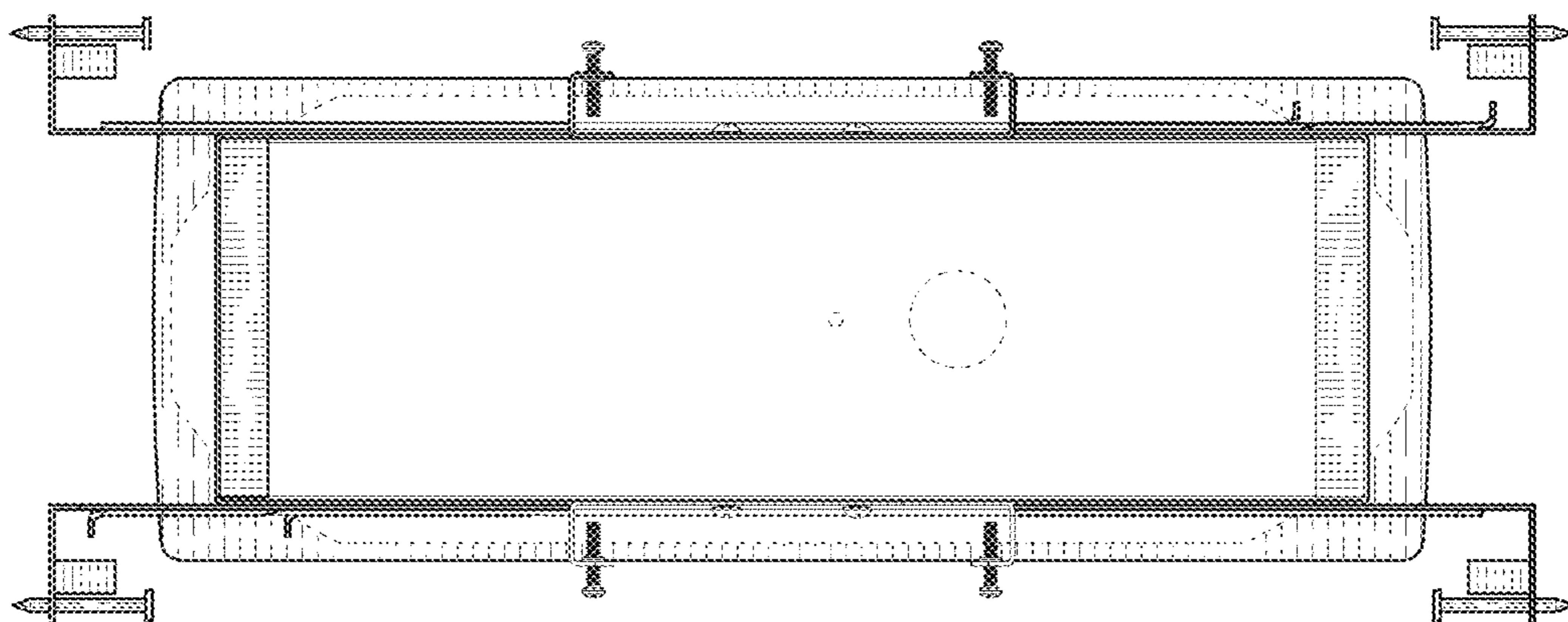


FIG. 3

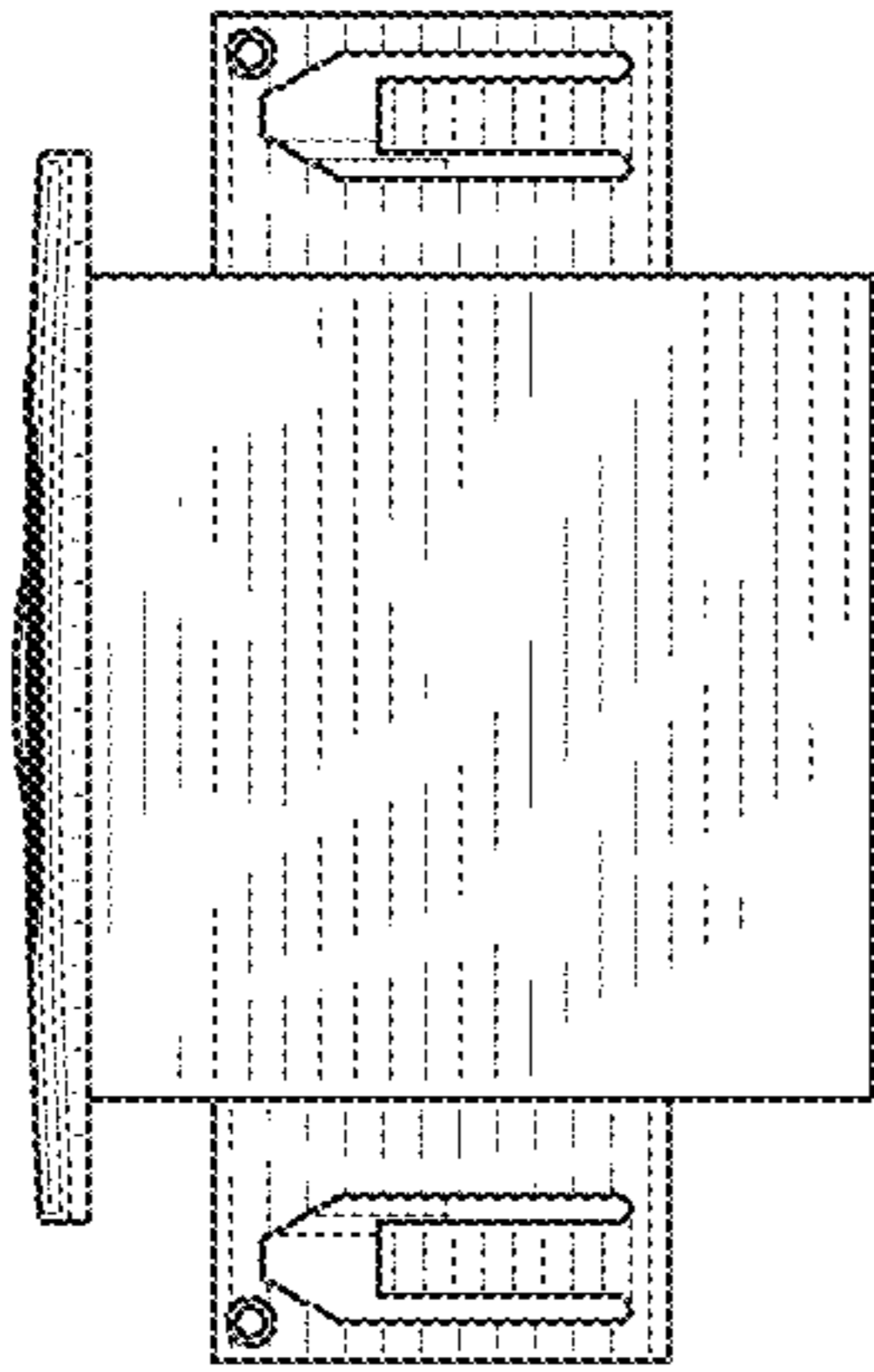


FIG. 4

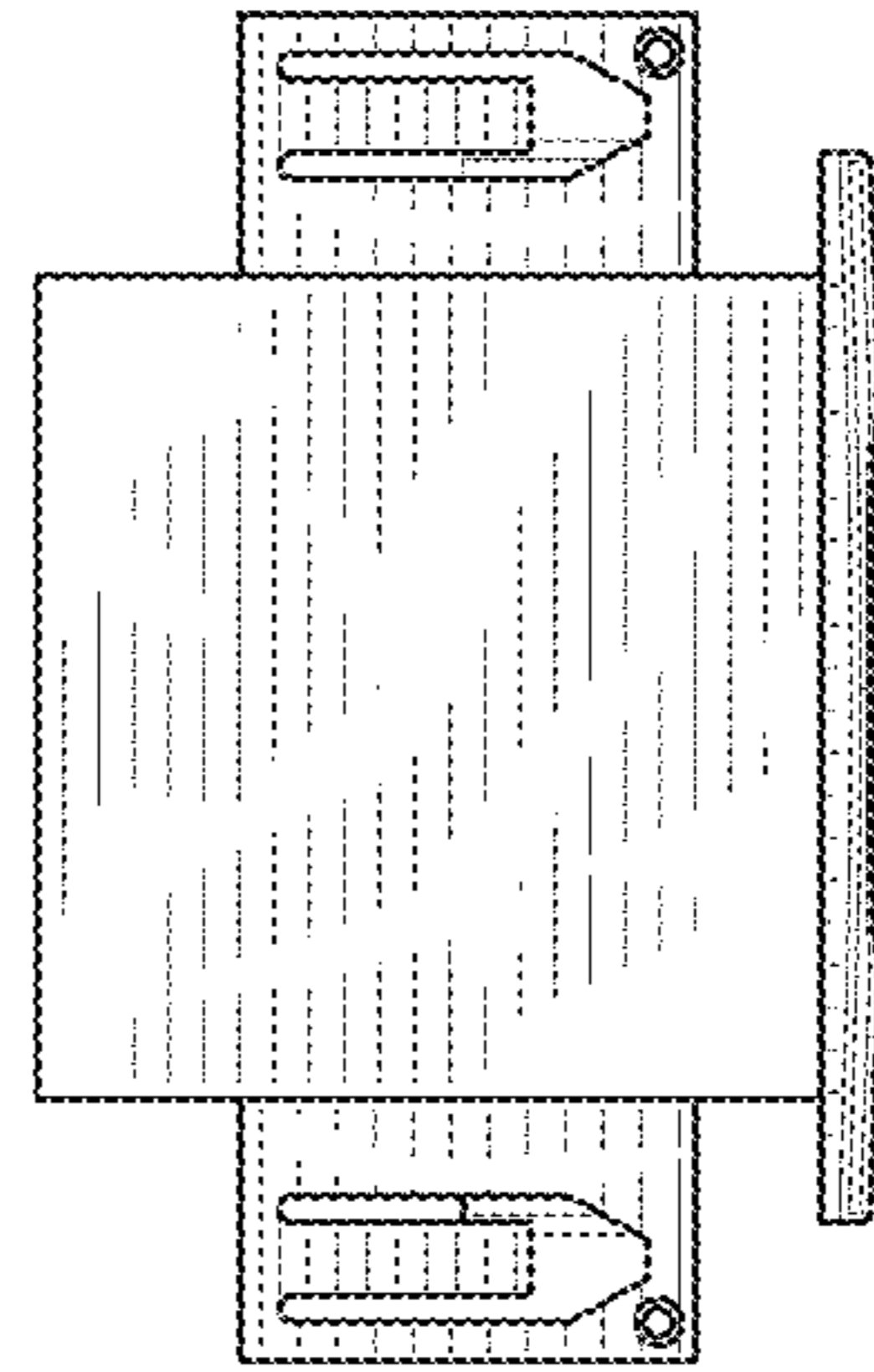


FIG. 5

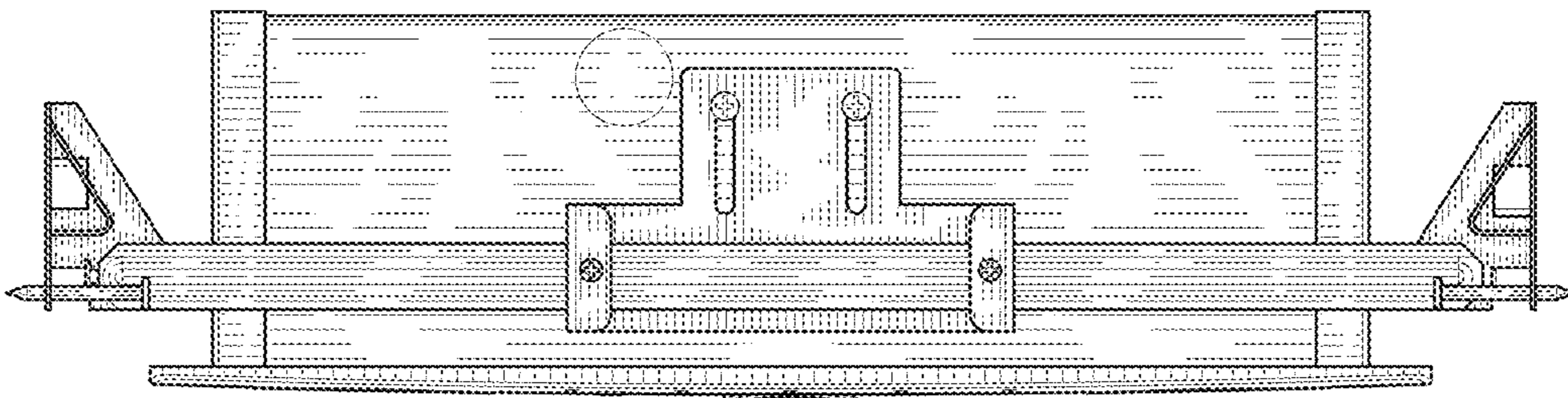


FIG. 6

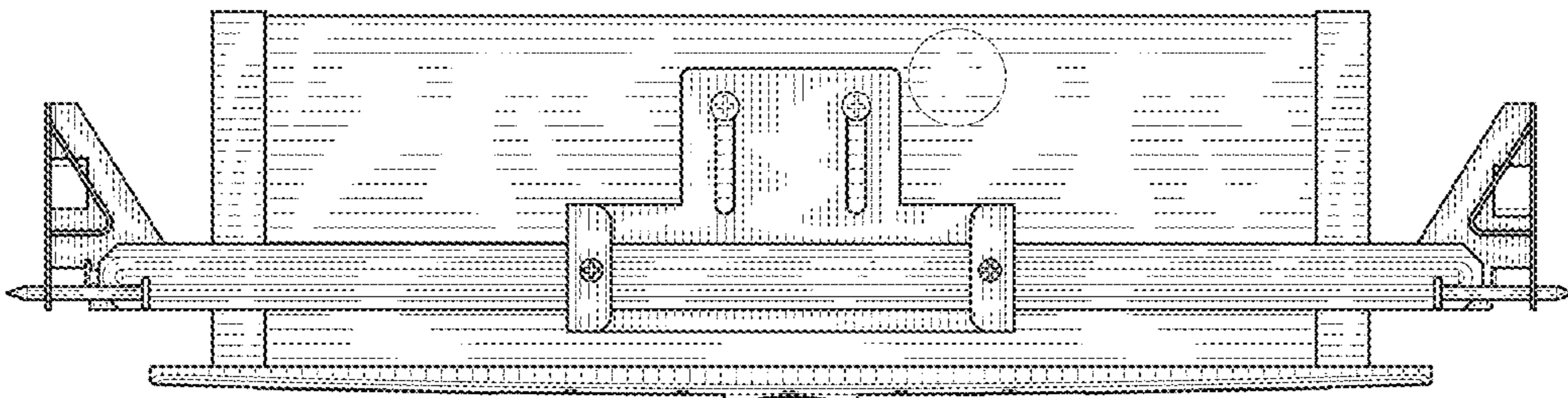


FIG. 7