



US00D851314S

(12) **United States Design Patent**  
**Stathis et al.**

(10) **Patent No.:** **US D851,314 S**  
(45) **Date of Patent:** **\*\* Jun. 11, 2019**

(54) **LIGHTING FIXTURE**

(71) Applicants: **Peter Stathis**, The Sea Ranch, CA  
(US); **Matthew Boyko**, San Francisco,  
CA (US)

(72) Inventors: **Peter Stathis**, The Sea Ranch, CA  
(US); **Matthew Boyko**, San Francisco,  
CA (US)

(\*\*) Term: **15 Years**

(21) Appl. No.: **29/605,254**

(22) Filed: **May 24, 2017**

(51) **LOC (11) Cl.** ..... **26-03**

(52) **U.S. Cl.**  
USPC ..... **D26/65**

(58) **Field of Classification Search**  
USPC ..... D26/60, 61, 62, 63, 65, 67, 93, 99, 107  
CPC .... F21V 21/088; F21V 21/0885; F21V 21/30;  
F21S 6/003  
See application file for complete search history.

(56) **References Cited**

**U.S. PATENT DOCUMENTS**

D330,266 S	*	10/1992	Lin	.....	D26/65
D588,735 S	*	3/2009	Woodard	.....	D26/61
D606,694 S	*	12/2009	Sabernig	.....	D26/65
D689,644 S		9/2013	Stathis et al.		
D689,645 S		9/2013	Stathis et al.		

D704,874 S	*	5/2014	Kelleghan	.....	D26/62
D772,462 S	*	11/2016	Lucchi	.....	D26/65
D814,091 S	*	3/2018	Lowe	.....	D26/65

\* cited by examiner

*Primary Examiner* — Brian N. Vinson  
(74) *Attorney, Agent, or Firm* — United IP Counselors,  
LLC

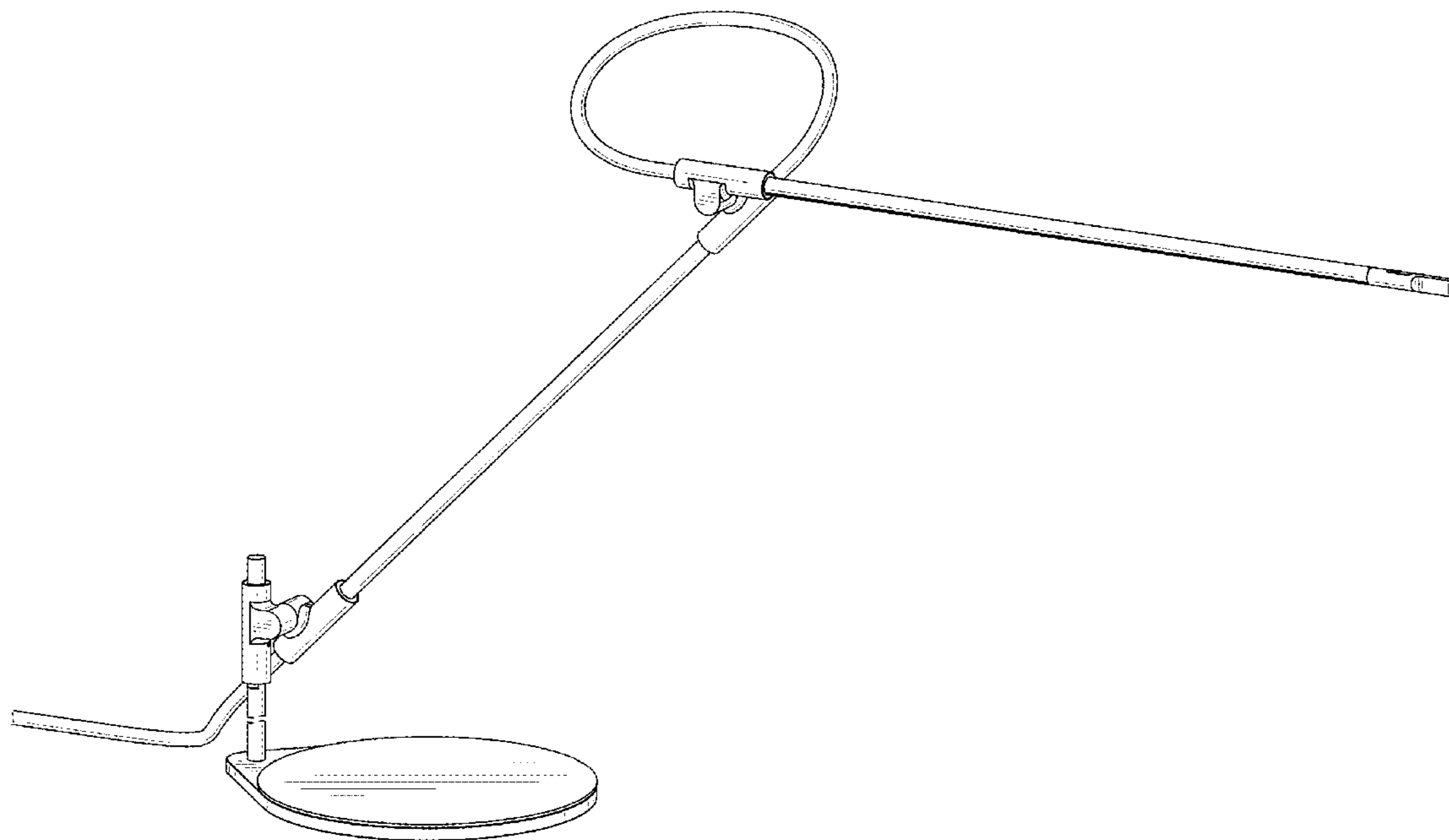
(57) **CLAIM**

The ornamental design for a lighting fixture, as shown and described.

**DESCRIPTION**

FIG. 1 is a perspective view of a lighting fixture, illustrating our new design;  
FIG. 2 is a side elevational view of one side of the lighting fixture;  
FIG. 3 is a side elevational view of the other side of the lighting fixture;  
FIG. 4 is a front elevational view of the lighting fixture;  
FIG. 5 is a rear elevational view of the lighting fixture;  
FIG. 6 is a top plan view of the lighting fixture; and,  
FIG. 7 is a bottom plan view of the lighting fixture.  
In the drawing figures, the broken lines immediately adjacent the shaded areas represent the bounds of the claimed design. The broken lines form no part of the claimed design.

**1 Claim, 7 Drawing Sheets**



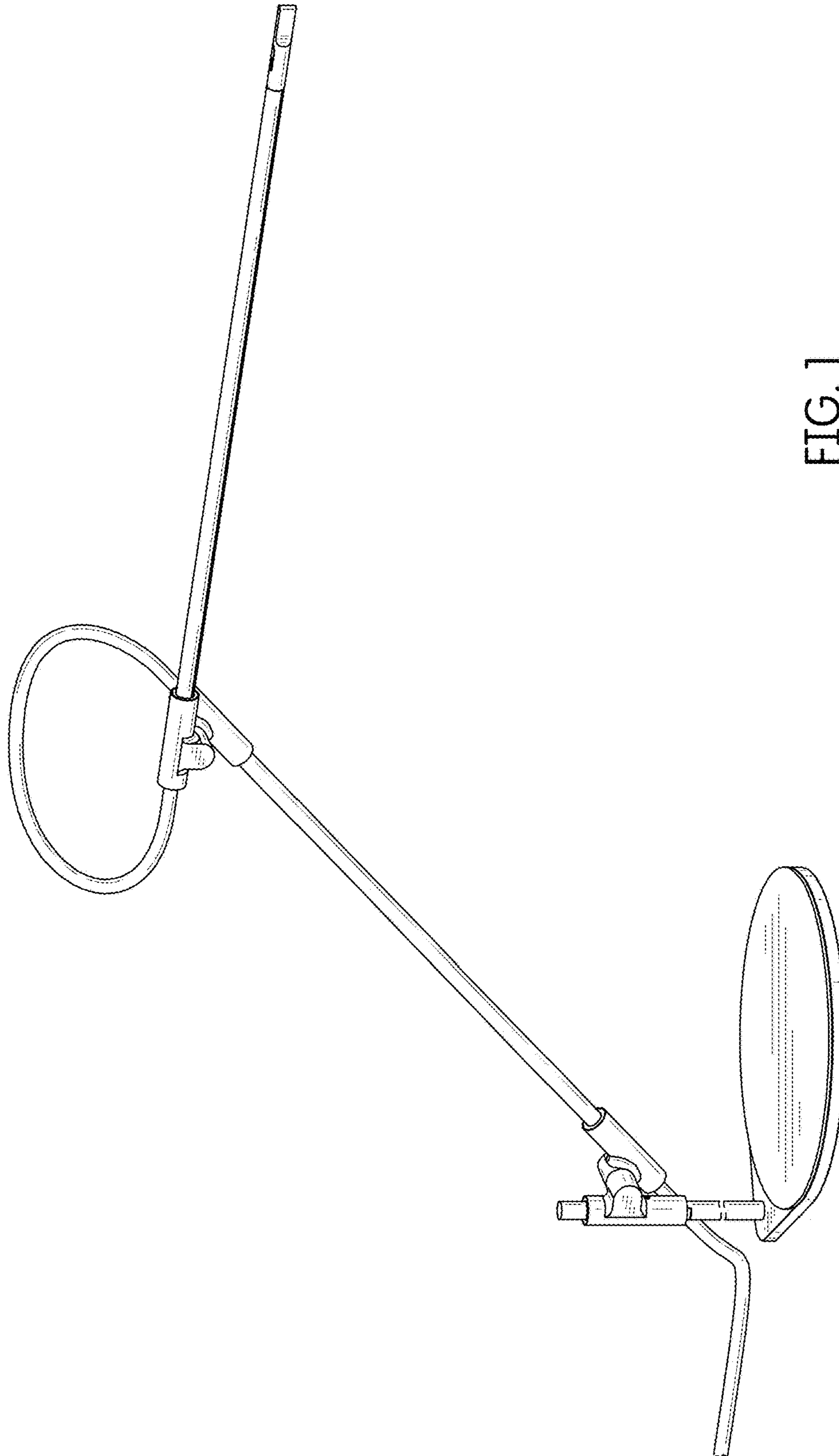


FIG. 1

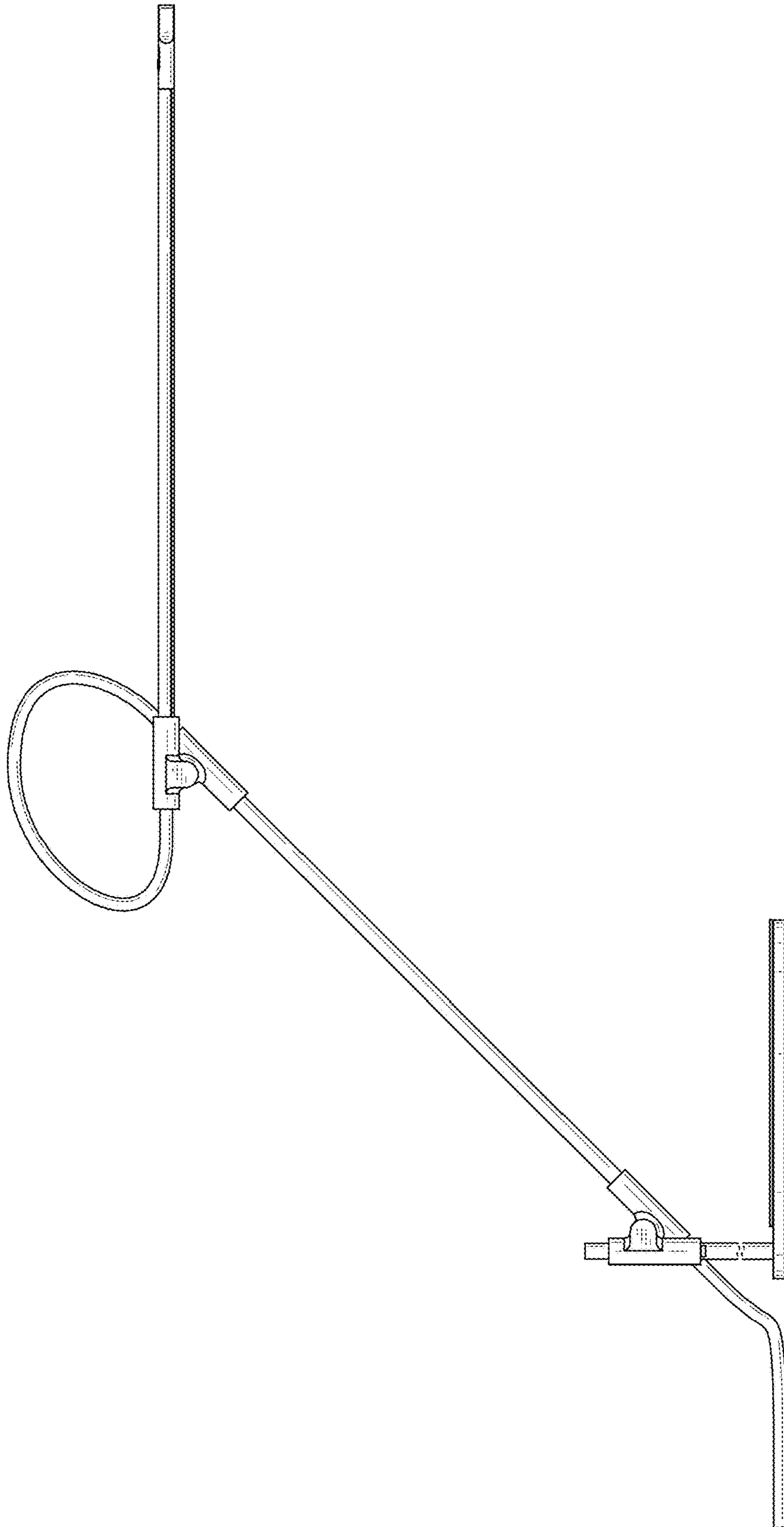


FIG. 2

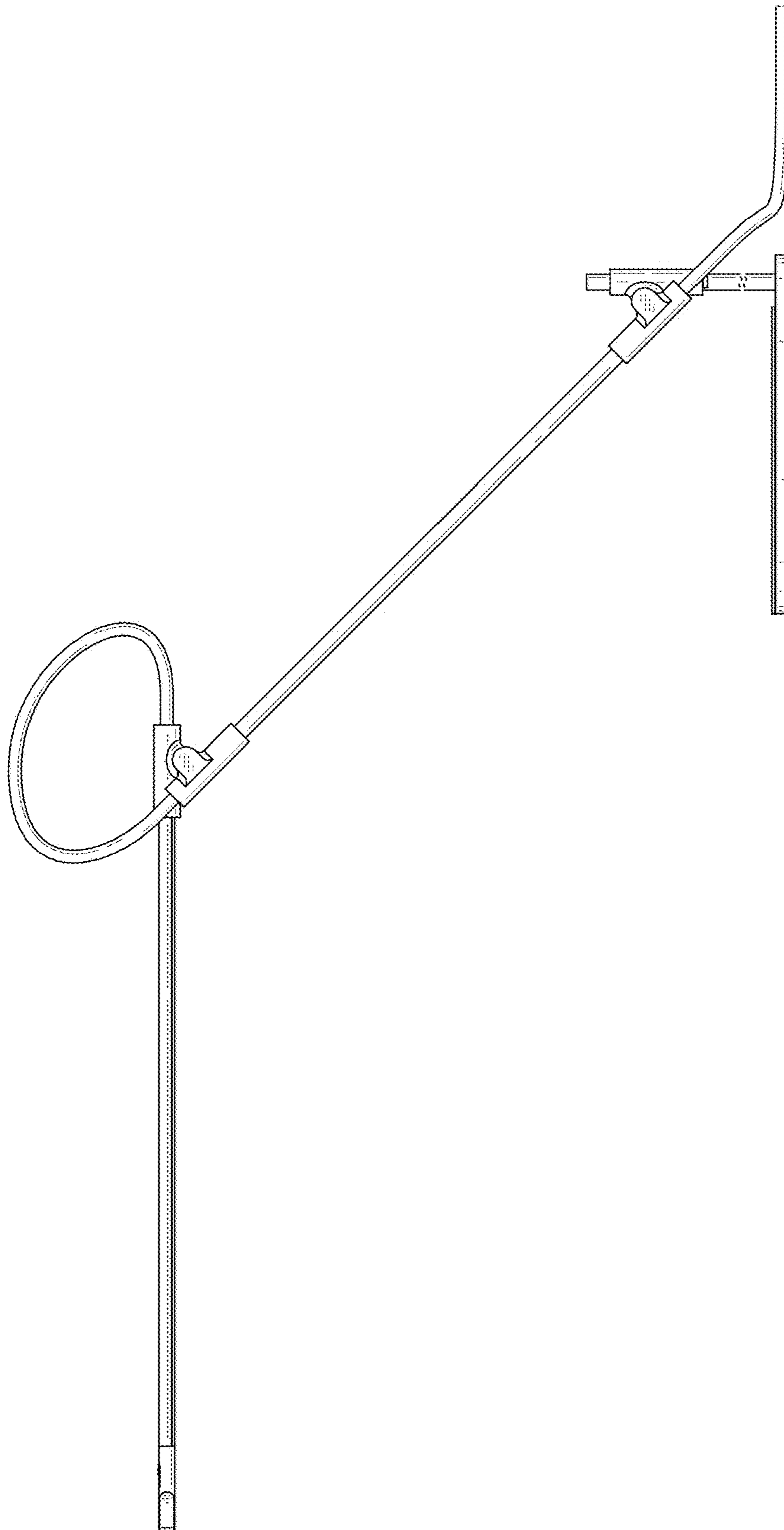


FIG. 3

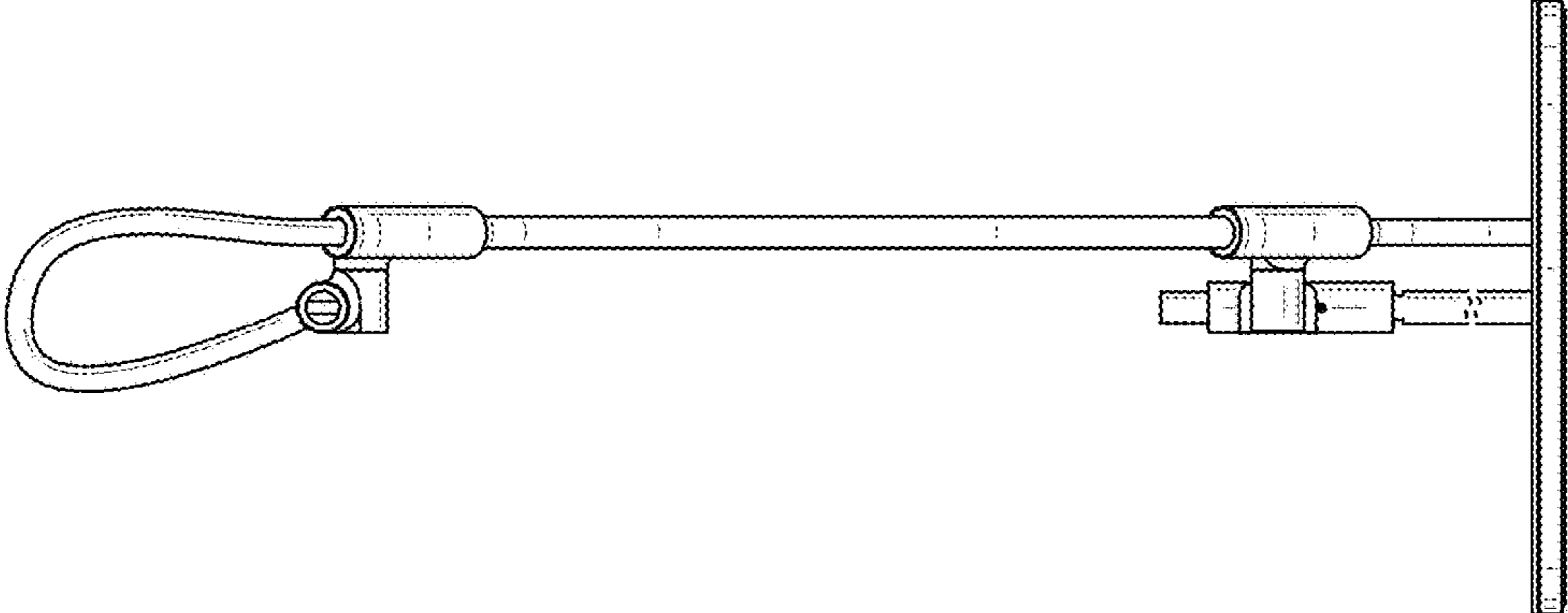


FIG. 4

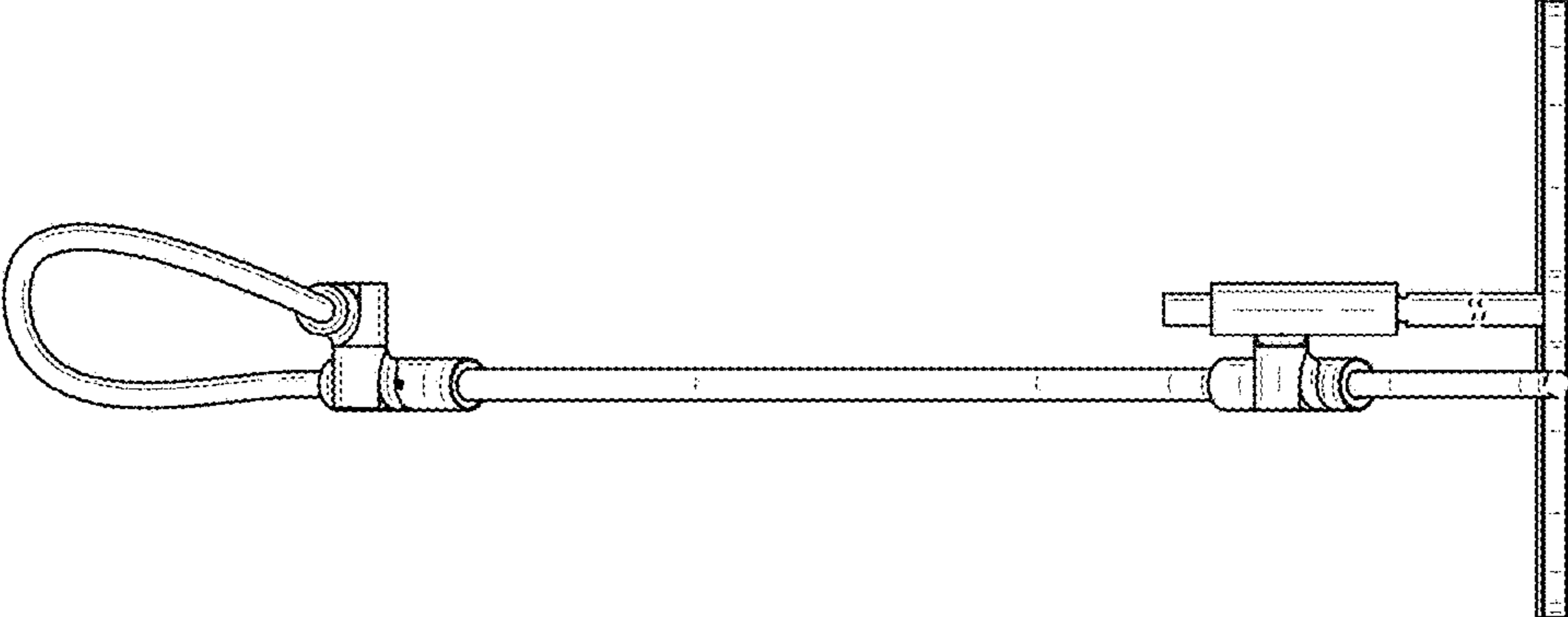


FIG. 5

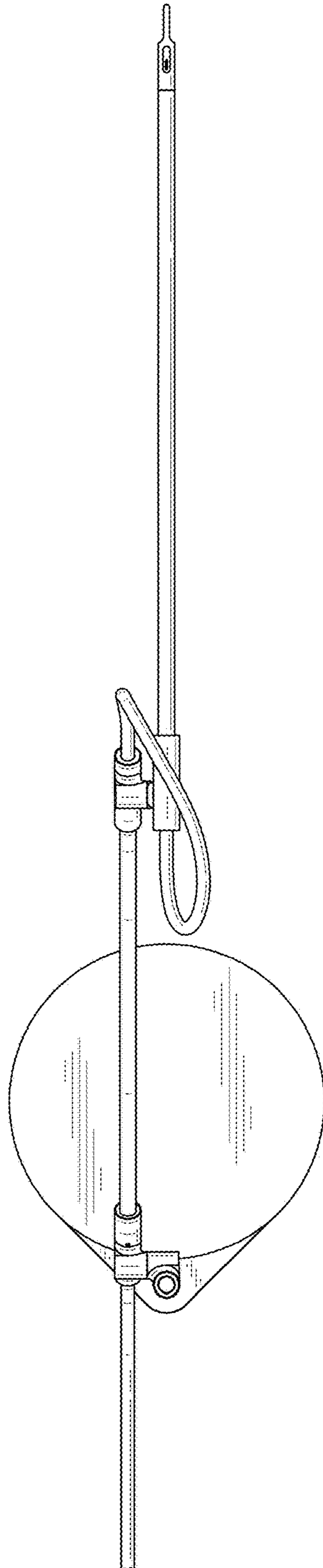


FIG. 6

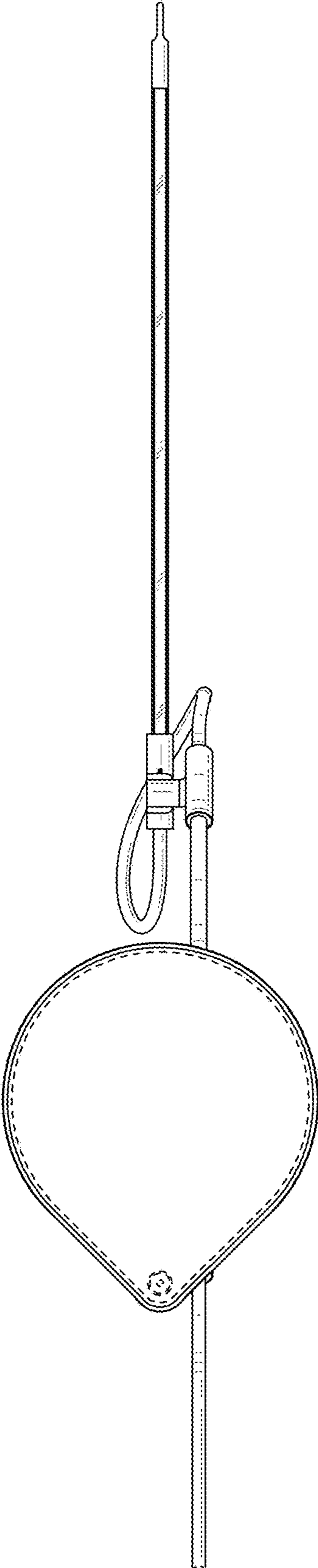


FIG. 7