



US00D851312S

(12) **United States Design Patent**
Hwa et al.

(10) **Patent No.:** **US D851,312 S**
(45) **Date of Patent:** **** Jun. 11, 2019**

- (54) **LASER LIGHT PROJECTOR**
- (71) Applicant: **Willis Electric Co., Ltd.**, Taipei (TW)
- (72) Inventors: **Alec Hwa**, Taipei (TW); **Robert Parsons**, Taipei (TW)
- (73) Assignee: **Willis Electric Co., Ltd.**, Taipei (TW)
- (**) Term: **15 Years**
- (21) Appl. No.: **29/604,761**
- (22) Filed: **May 19, 2017**
- (51) **LOC (11) Cl.** **26-03**
- (52) **U.S. Cl.**
USPC **D26/63**
- (58) **Field of Classification Search**
USPC D26/24, 60-71, 85, 92, 113, 118, 119
CPC F21V 21/14; F21V 15/01; F21V 14/02;
F21V 21/30; F21V 14/00; F21Y
2105/001; F21S 8/00
See application file for complete search history.

- D732,218 S * 6/2015 Ko D26/63
- D773,707 S * 12/2016 Lentine D26/63
- D797,974 S * 9/2017 Liang D26/63
- D821,013 S * 6/2018 Mizobe D26/63

* cited by examiner

Primary Examiner — Brian N. Vinson
(74) *Attorney, Agent, or Firm* — Christensen, Fonder,
Dardi & Herbert PLLC

(57) **CLAIM**

We claim the ornamental design for laser light projector, as shown and described.

DESCRIPTION

FIG. 1 is a front corner perspective view of a laser light projector according to the invention. The view from the opposite front corner being a mirror image thereto. FIG. 2 is a front elevational view of the projector. FIG. 3 is a right side elevational view of the projector. FIG. 4 is a rear elevational view of the projector. FIG. 5 is a left side elevational view of the projector. FIG. 6 is a top plan view of the projector; and, FIG. 7 is a bottom plan view of the projector.

1 Claim, 6 Drawing Sheets

(56) **References Cited**

U.S. PATENT DOCUMENTS

- 6,612,720 B1 * 9/2003 Beadle F21V 17/02
362/287
- D542,959 S * 5/2007 Yao D26/63

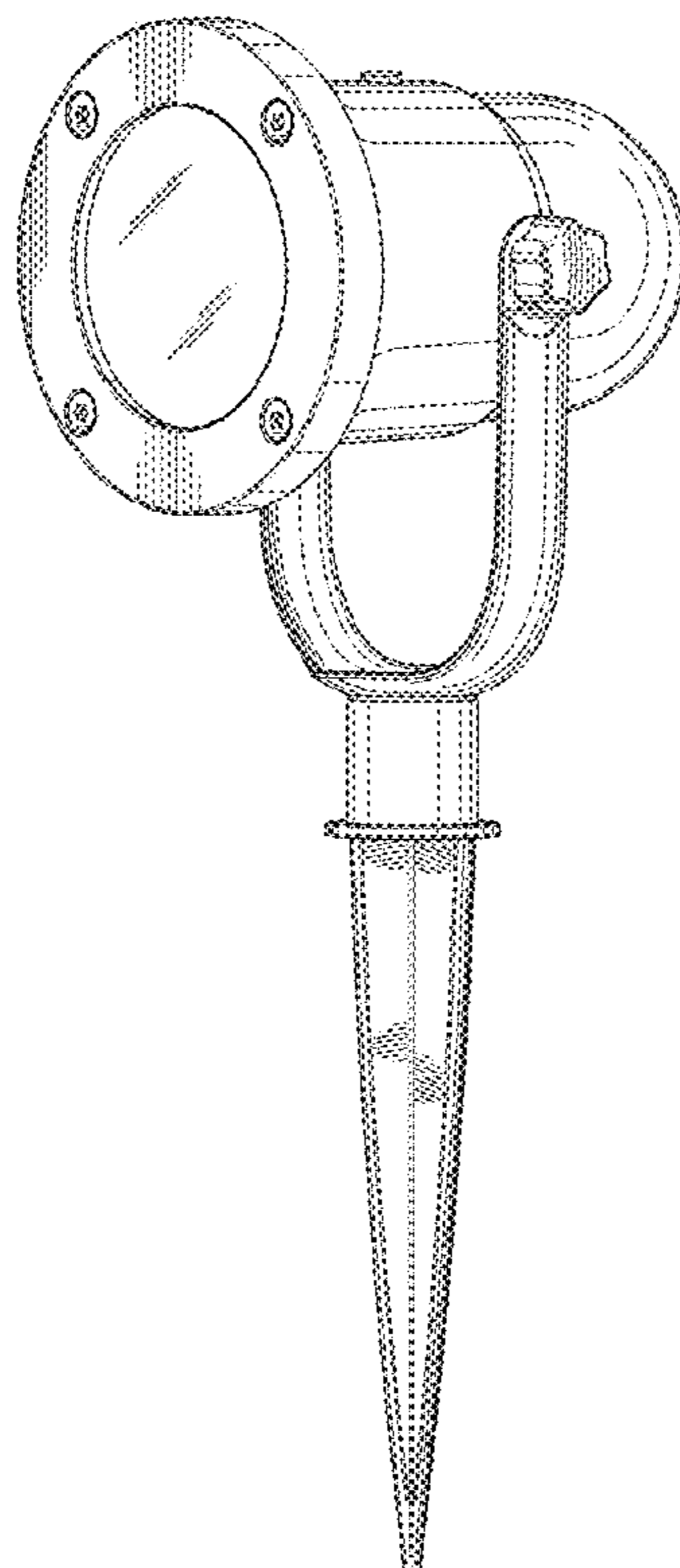


Fig. 1

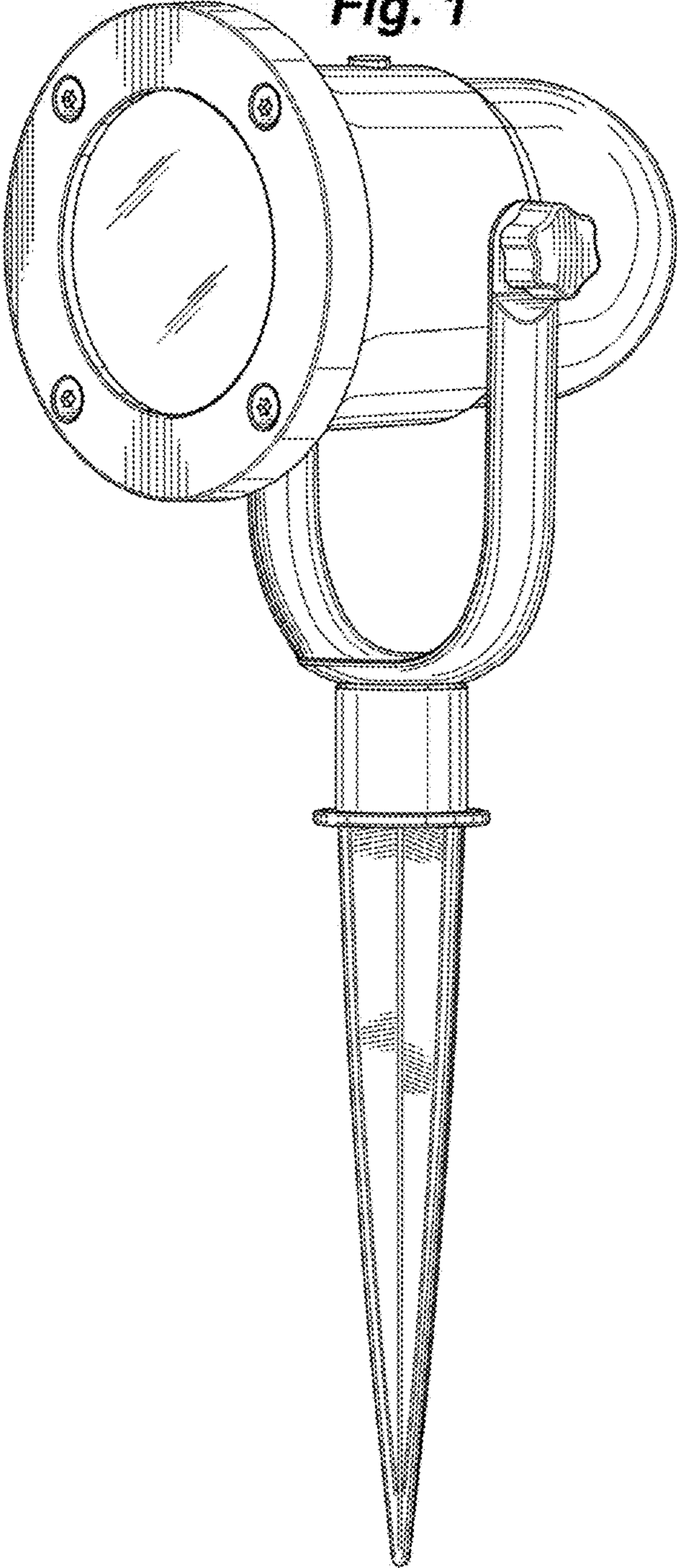


Fig. 2

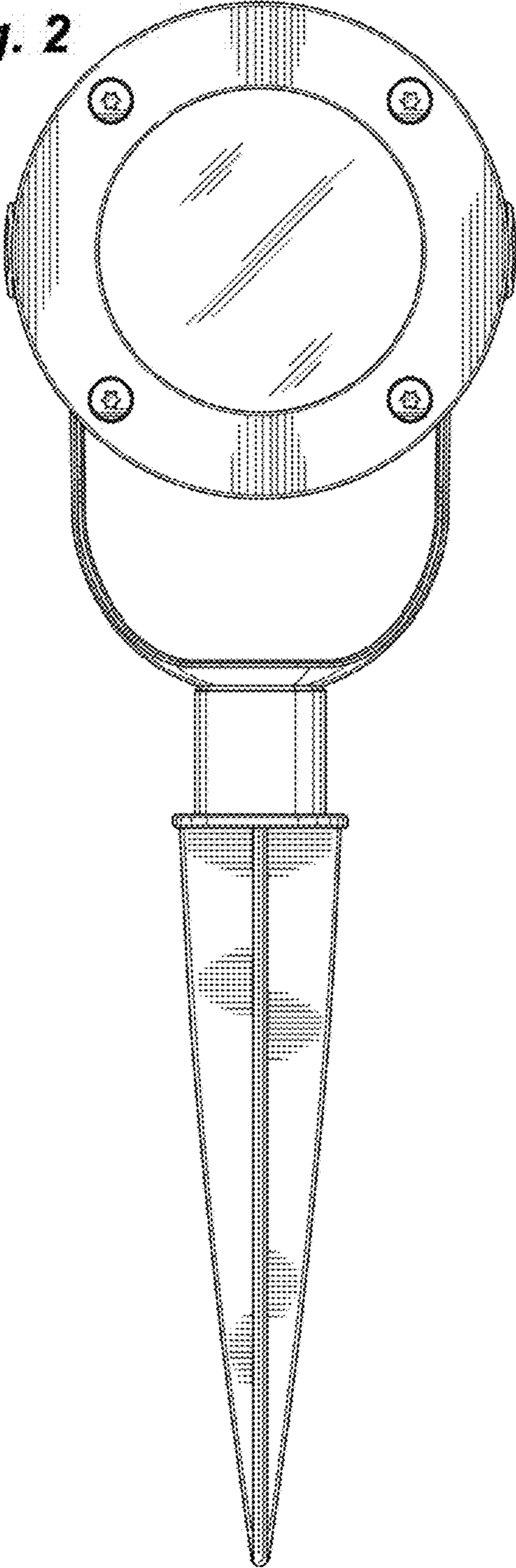


Fig. 3

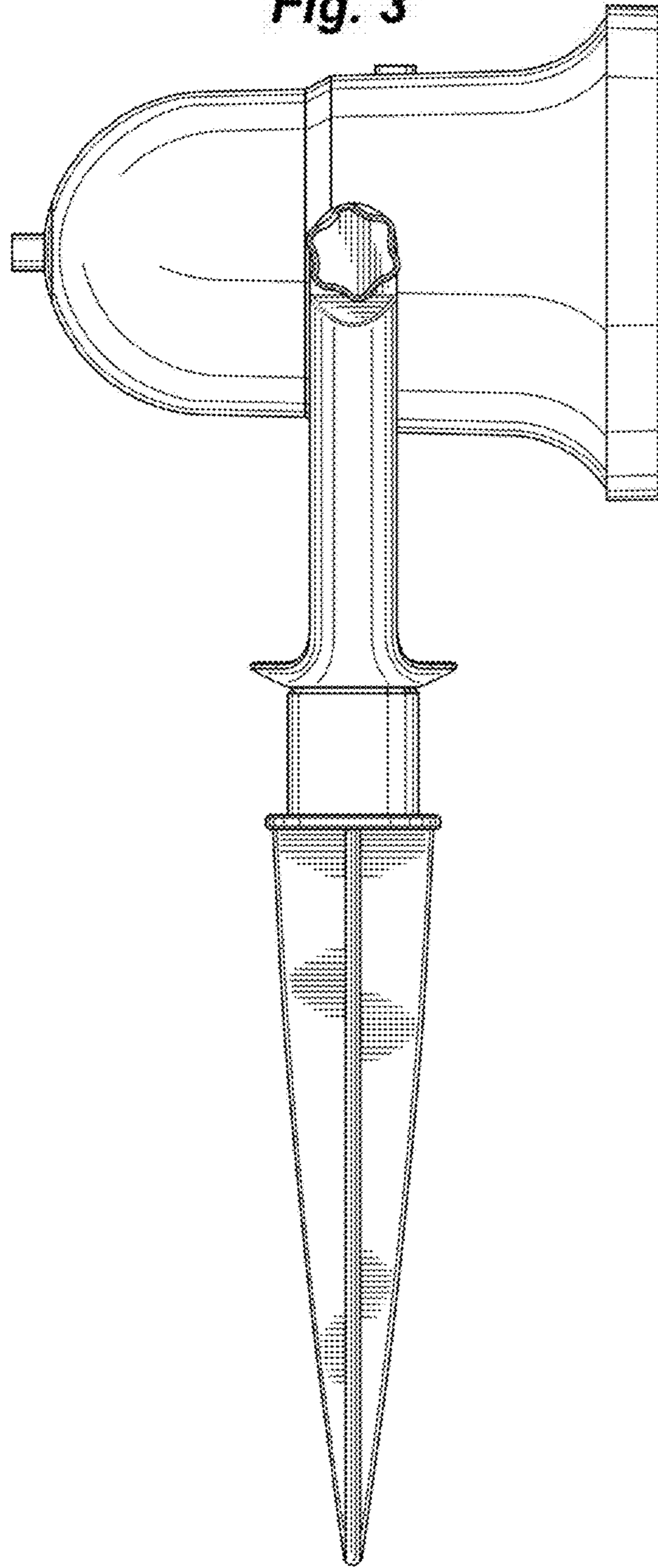
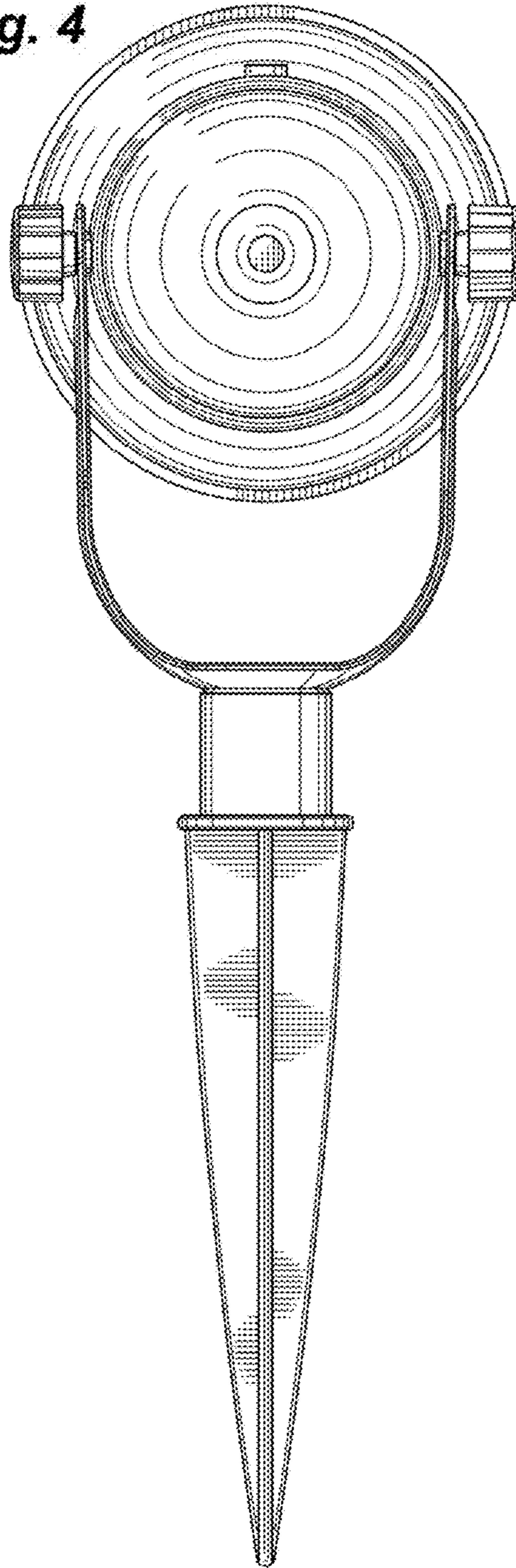


Fig. 4



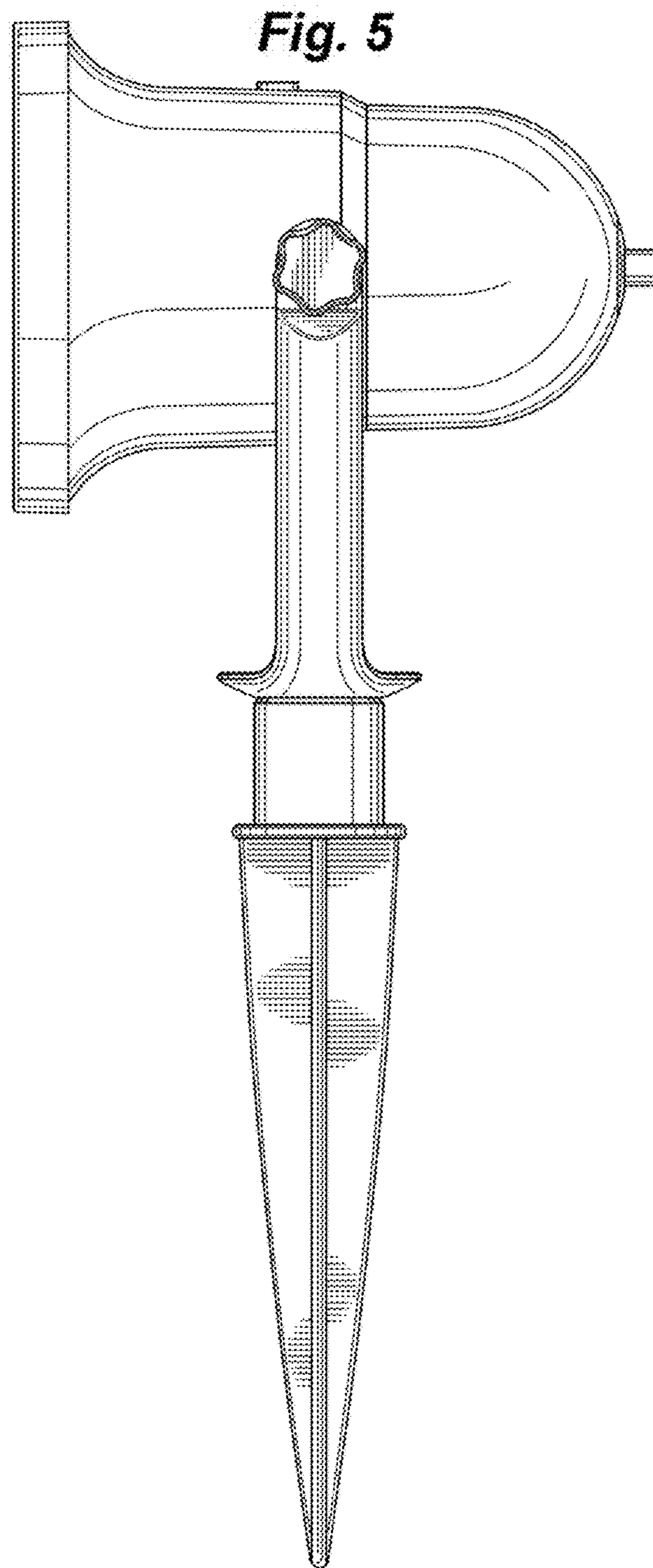


Fig. 6

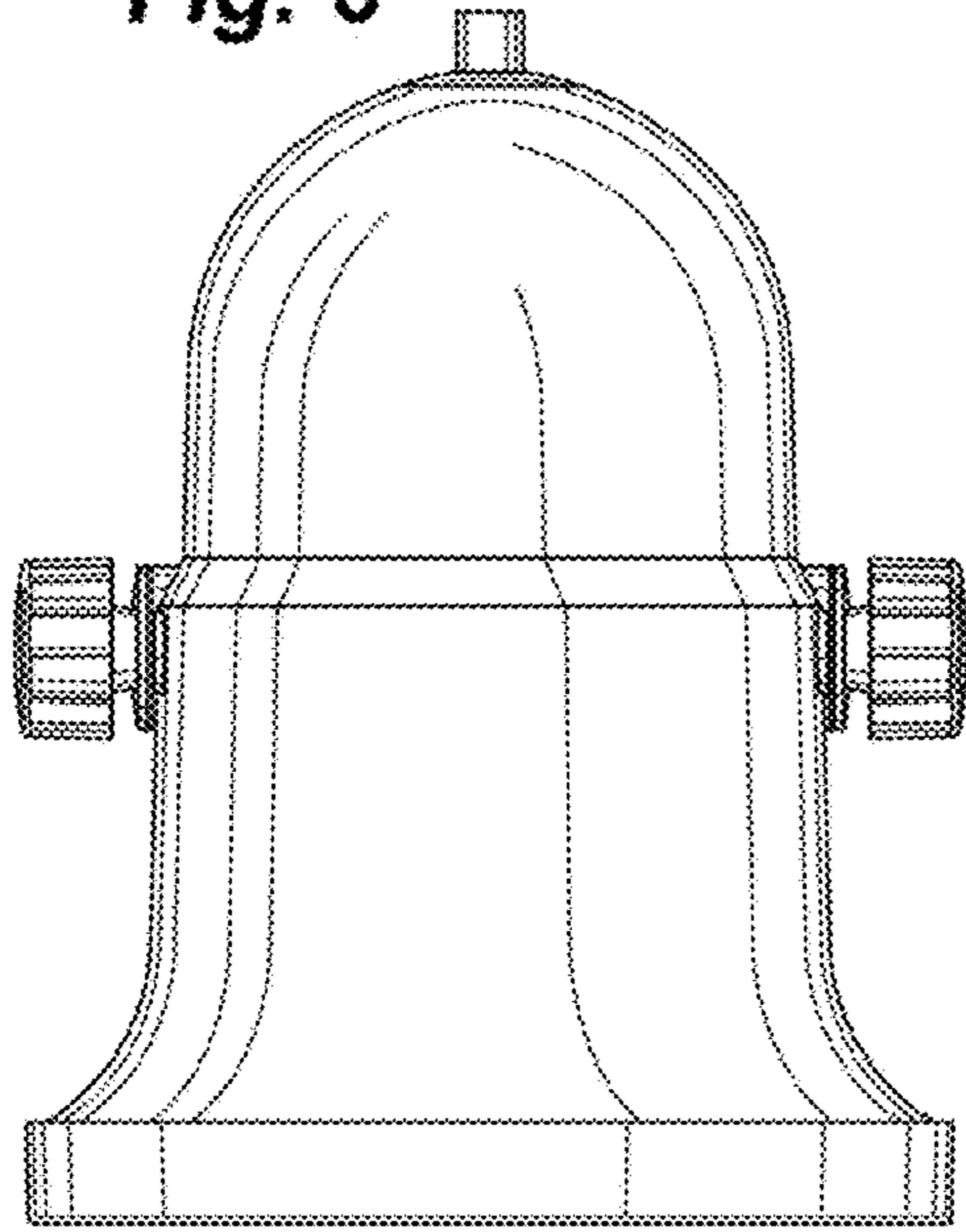


Fig. 7

