



US00D851311S

(12) **United States Design Patent**  
**Fan**

(10) **Patent No.:** **US D851,311 S**  
(45) **Date of Patent:** **\*\* Jun. 11, 2019**

(54) **CLIP LAMP**

(71) Applicant: **Chao Fan**, Zhejiang (CN)

(72) Inventor: **Chao Fan**, Zhejiang (CN)

(\*\*) Term: **15 Years**

(21) Appl. No.: **29/630,022**

(22) Filed: **Dec. 19, 2017**

(51) **LOC (11) Cl.** ..... **26-03**

(52) **U.S. Cl.**  
USPC ..... **D26/60**

(58) **Field of Classification Search**

USPC ..... D26/1, 24, 60, 61, 63, 65, 85, 92

CPC ..... F21V 21/14; F21V 15/01; F21V 14/02;

F21V 21/30; F21V 21/00; F21V 14/00;

F21S 8/00; F21S 8/003; F21S 8/043;

F21Y 2105/001

See application file for complete search history.

(56) **References Cited**

**U.S. PATENT DOCUMENTS**

D214,941 S \* 8/1969 Hilzon ..... D26/63

D226,534 S \* 3/1973 Anderson, Jr. .... D26/63

D316,303 S \* 4/1991 Layne ..... D26/63

D376,865 S \* 12/1996 Chan ..... D26/60

D383,559 S \* 9/1997 Chan ..... D26/60

D754,900 S \* 4/2016 Mumma ..... D26/60

D806,297 S \* 12/2017 Du ..... D26/60

\* cited by examiner

*Primary Examiner* — Brian N. Vinson

(57) **CLAIM**

The ornamental design for a clip lamp, as shown and described.

**DESCRIPTION**

FIG. 1 is a perspective view of a clip lamp showing my new design;

FIG. 2 is a front elevational view of the clip lamp of FIG. 1;

FIG. 3 is a rear elevational view of the clip lamp of FIG. 1;

FIG. 4 is a left side elevational view of the clip lamp of FIG. 1;

FIG. 5 is a right side elevational view of the clip lamp of FIG. 1;

FIG. 6 is a top plan view of the clip lamp of FIG. 1;

FIG. 7 is a bottom plan view of the clip lamp of FIG. 1;

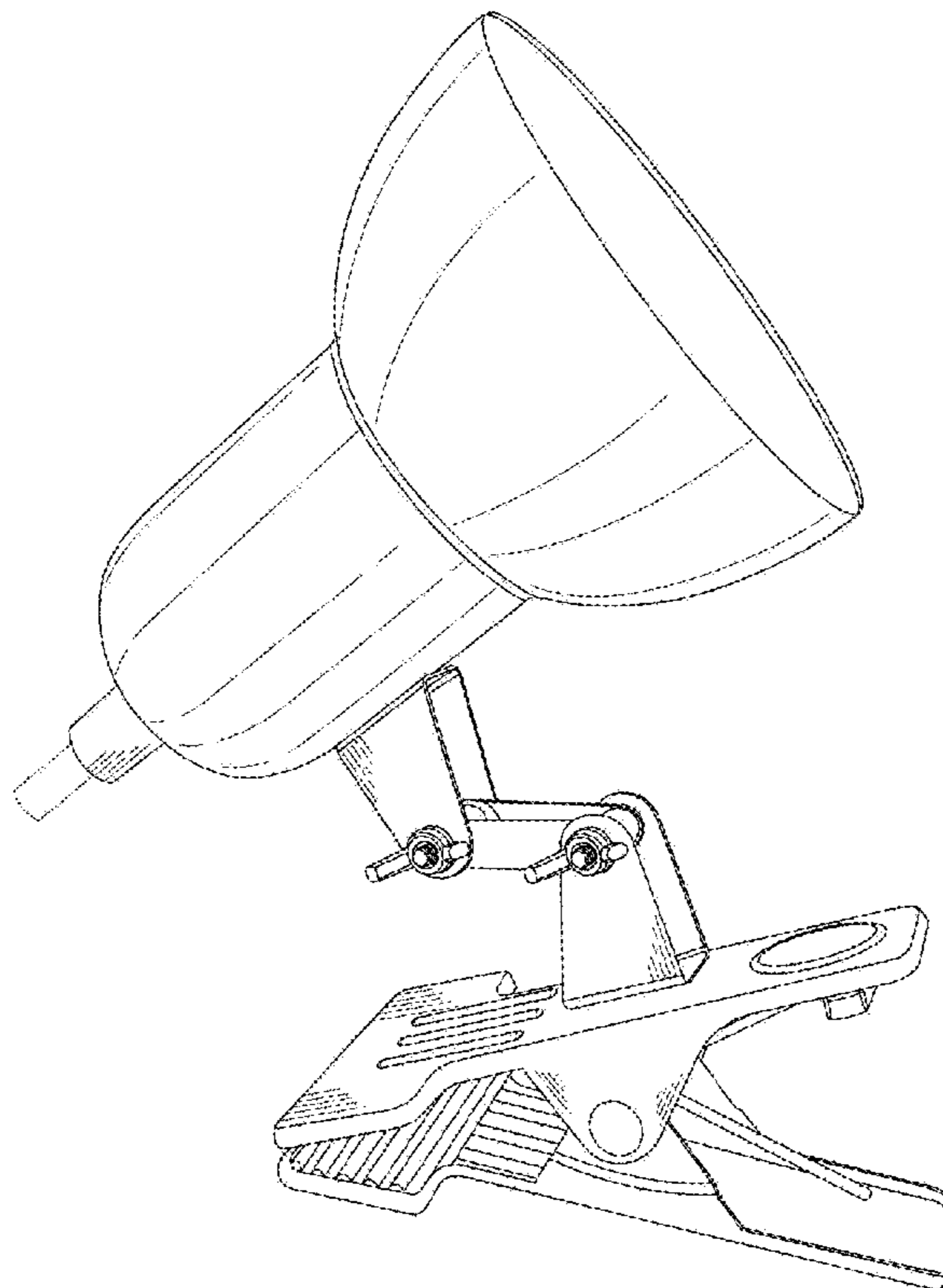
FIG. 8 is a perspective view of the clip lamp when the lamp holder folded together;

FIG. 9 is the back view of the view shown in FIG. 8; and,

FIG. 10 is a perspective view of the clip lamp that is further extended relative to FIG. 1 and is rotated by a certain angle.

The portions of the clip lamp shown in broken lines in the disclosure form no part of the claimed design.

**1 Claim, 10 Drawing Sheets**



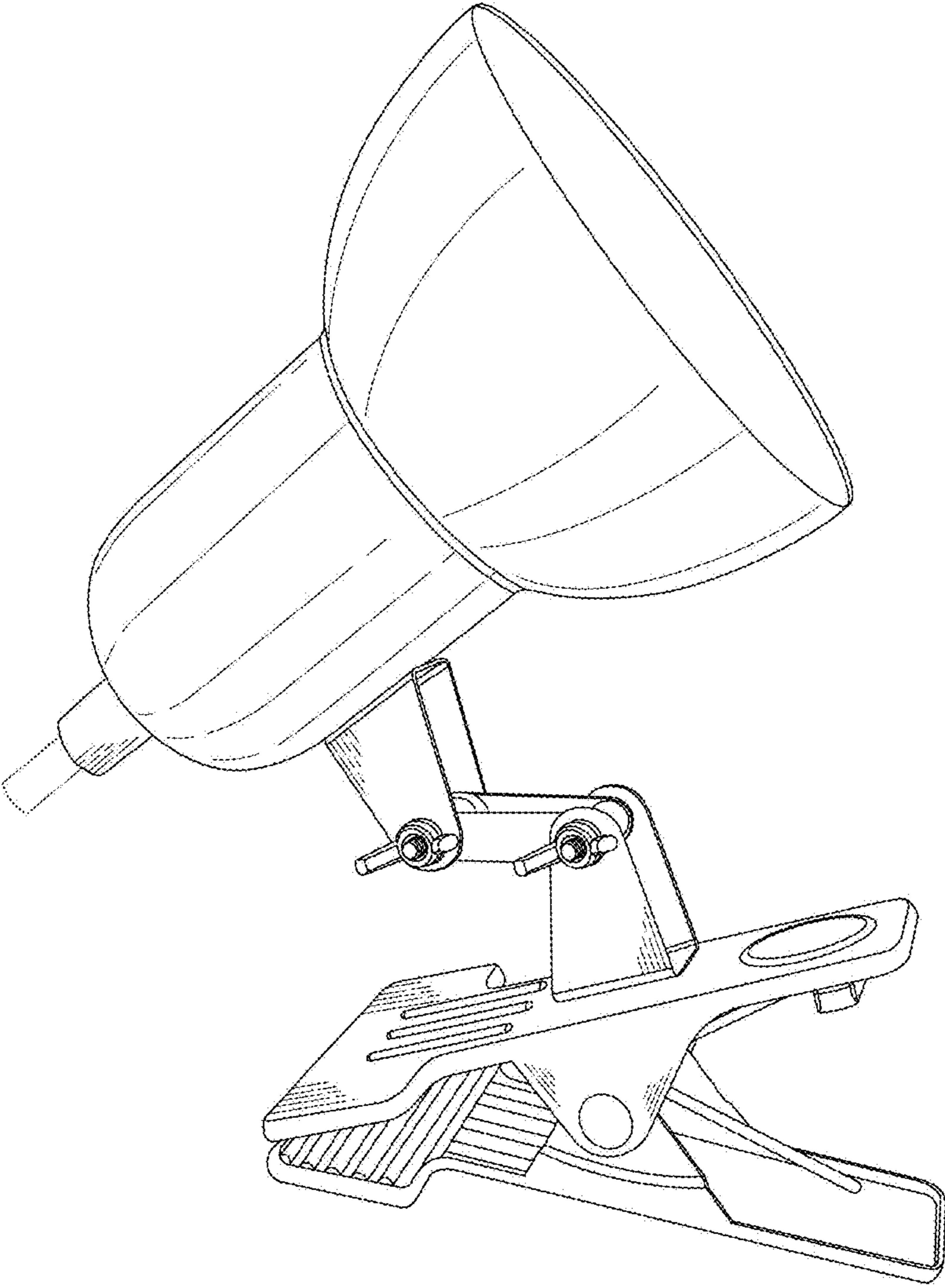


FIG.1

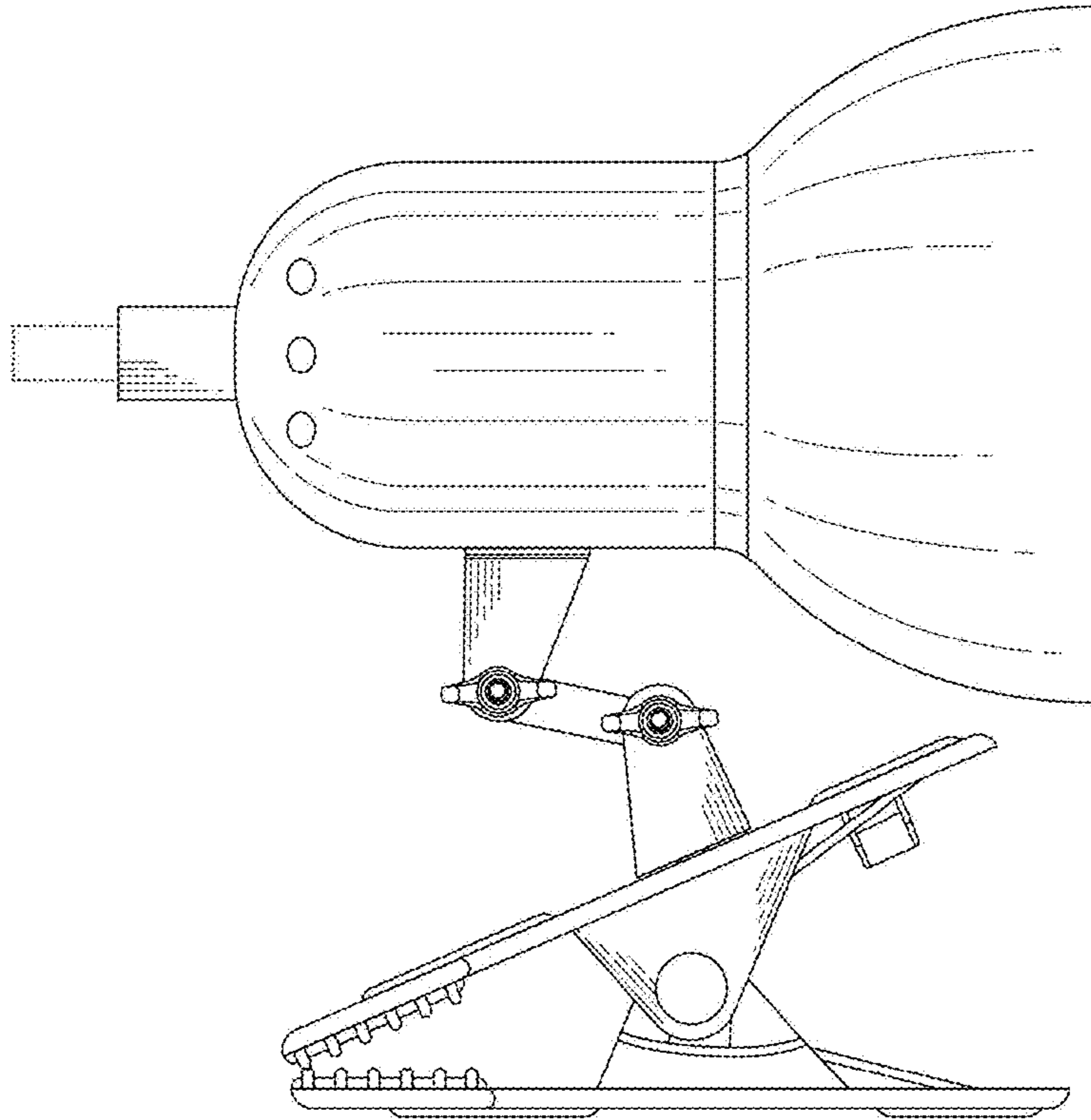


FIG.2

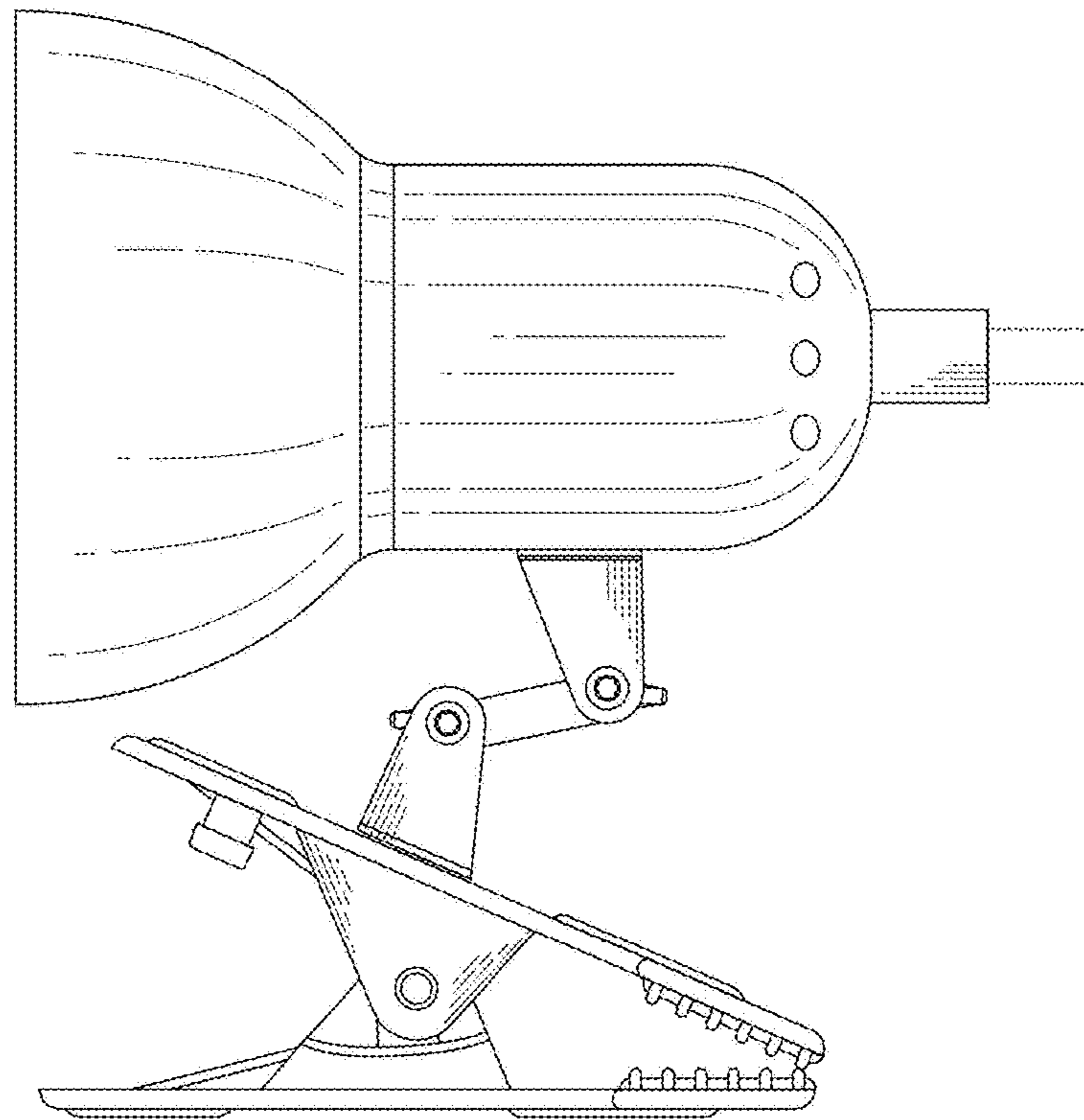


FIG.3

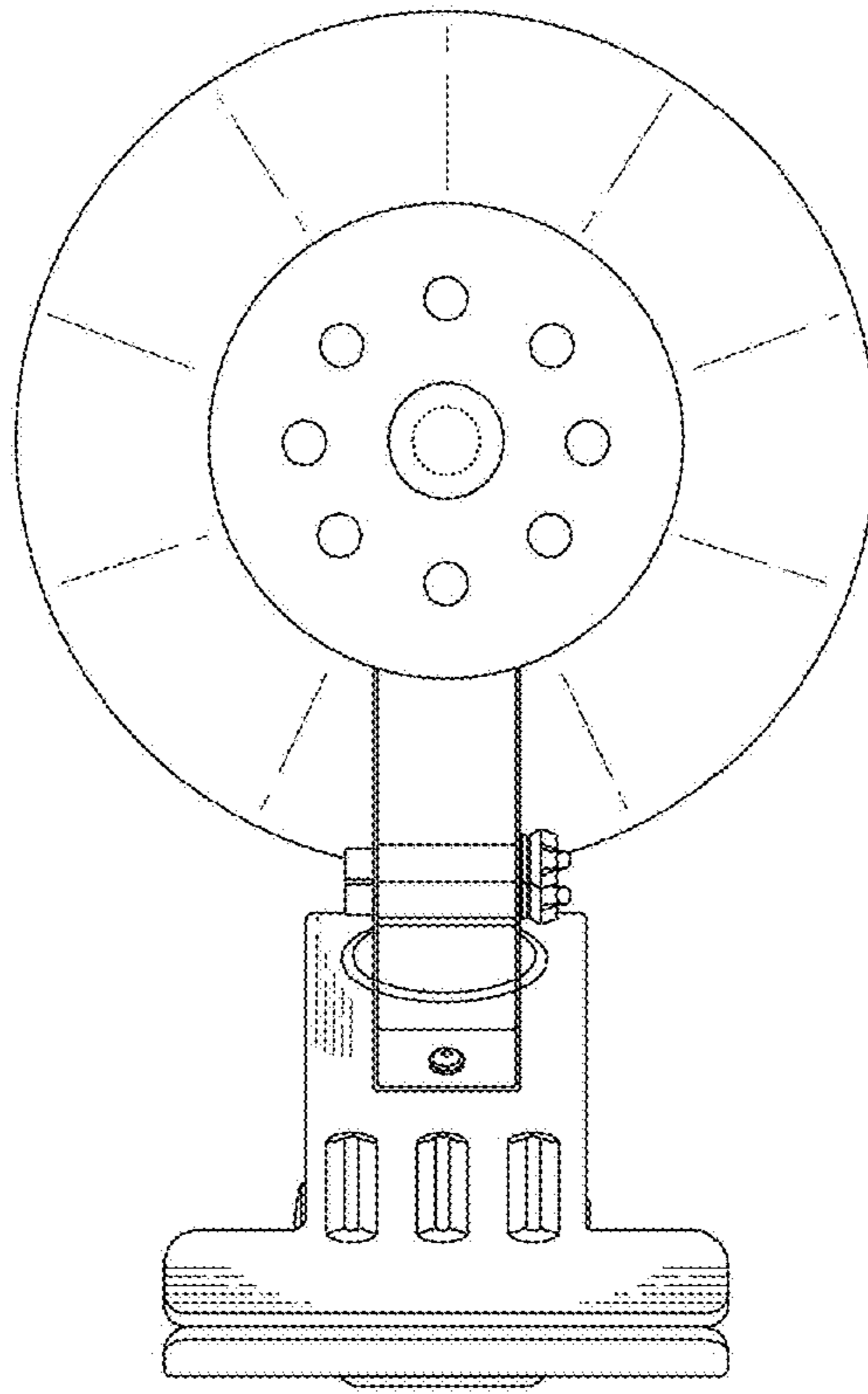


FIG.4

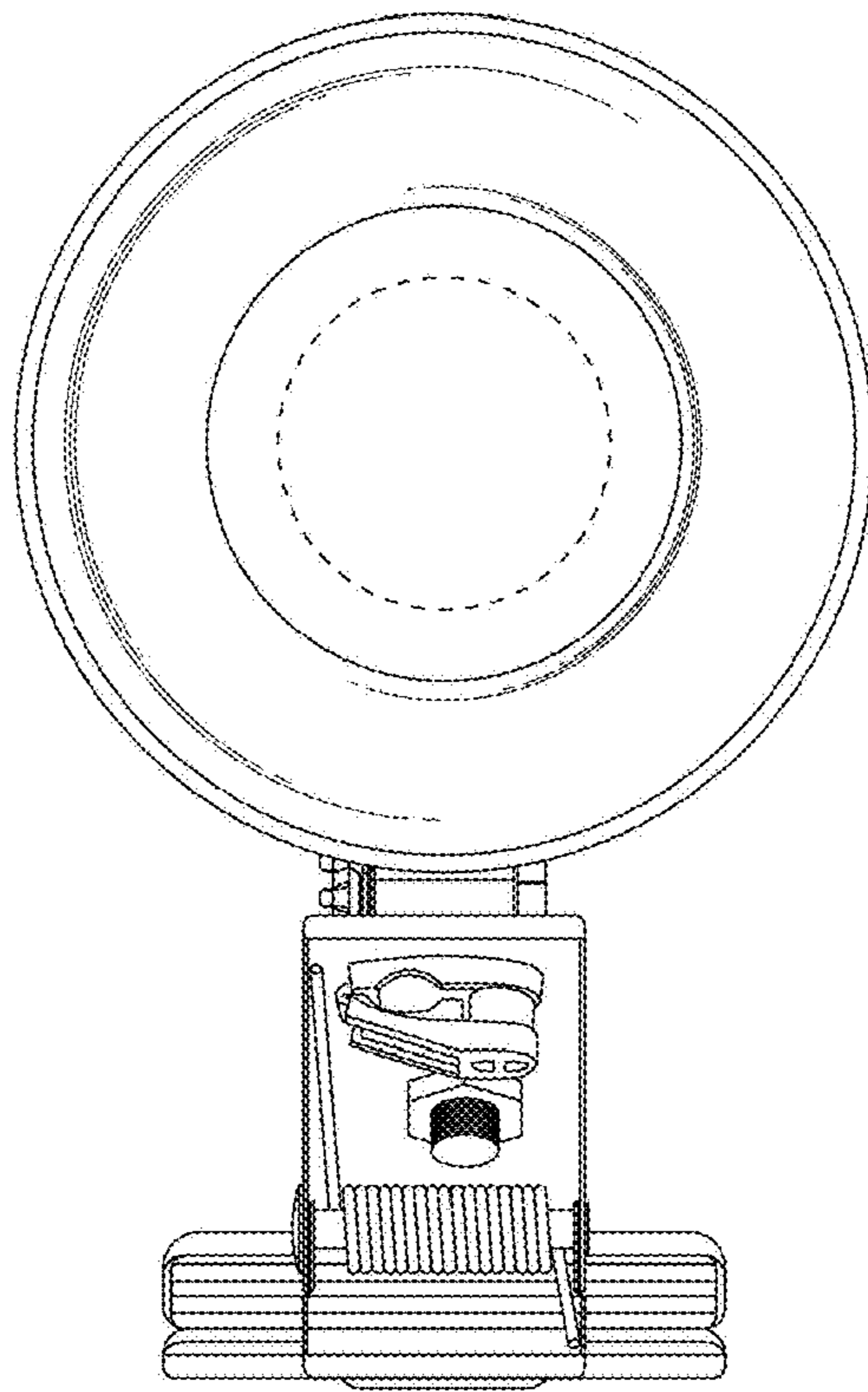


FIG.5



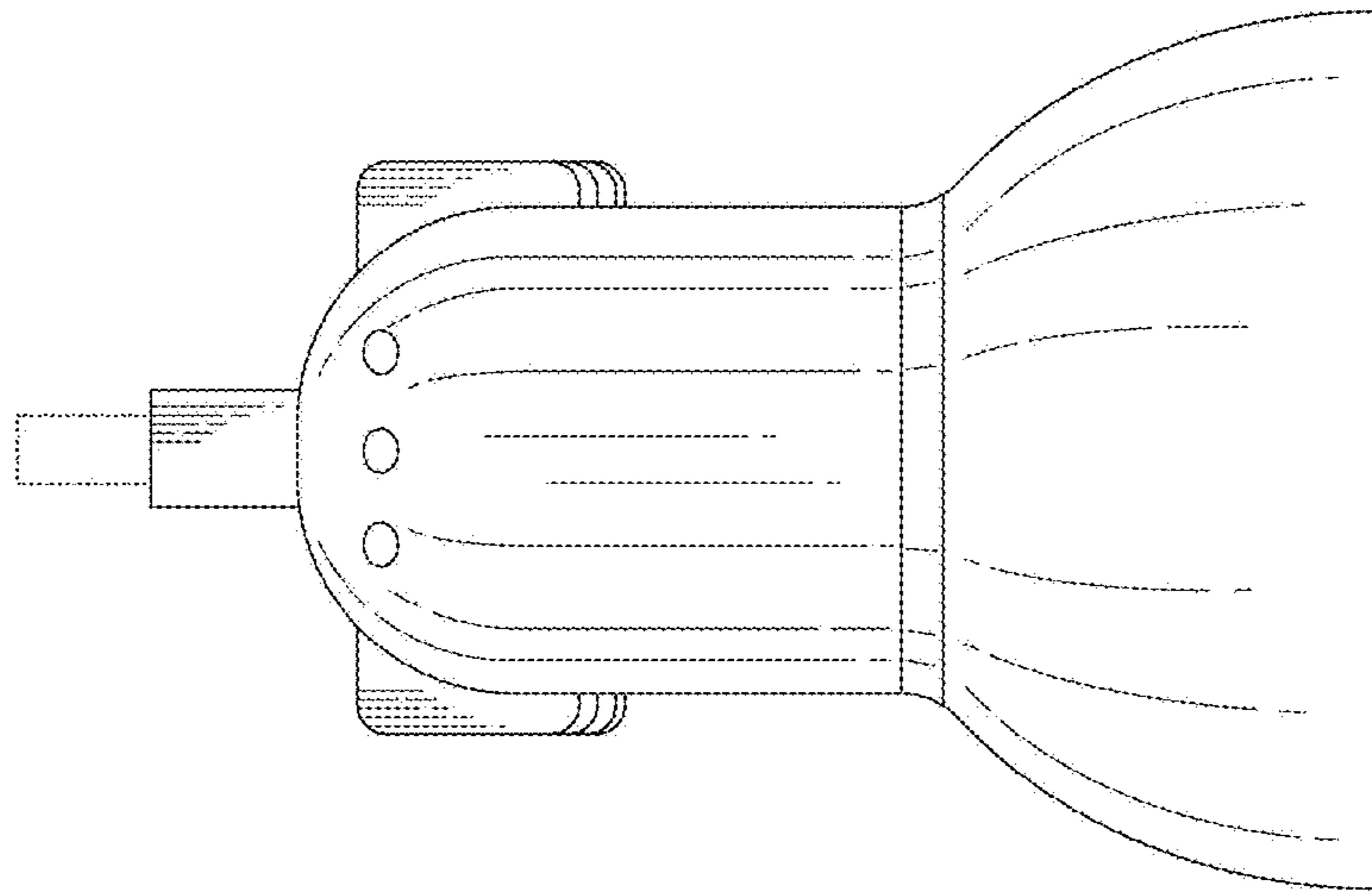


FIG.6

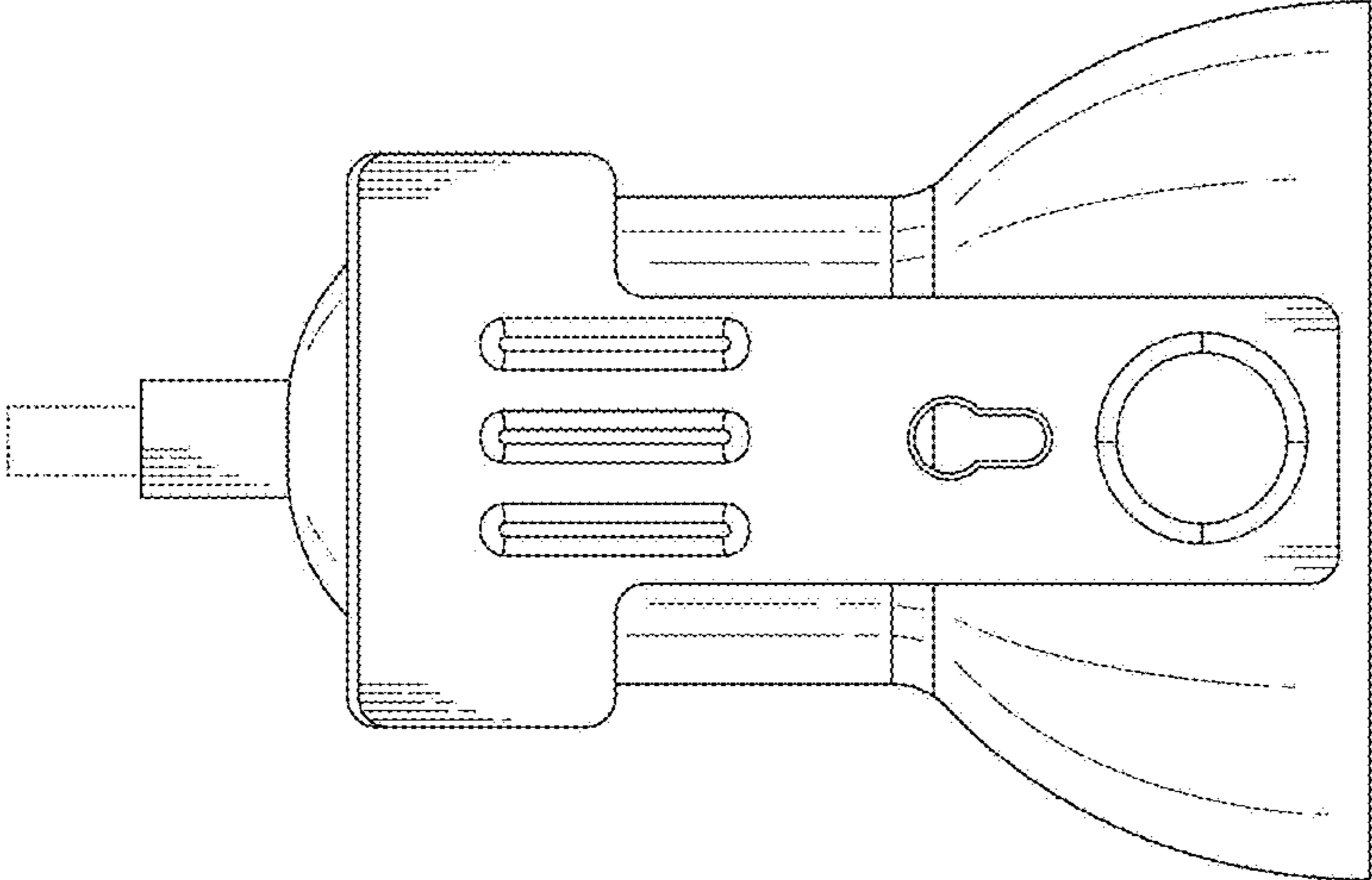


FIG. 7



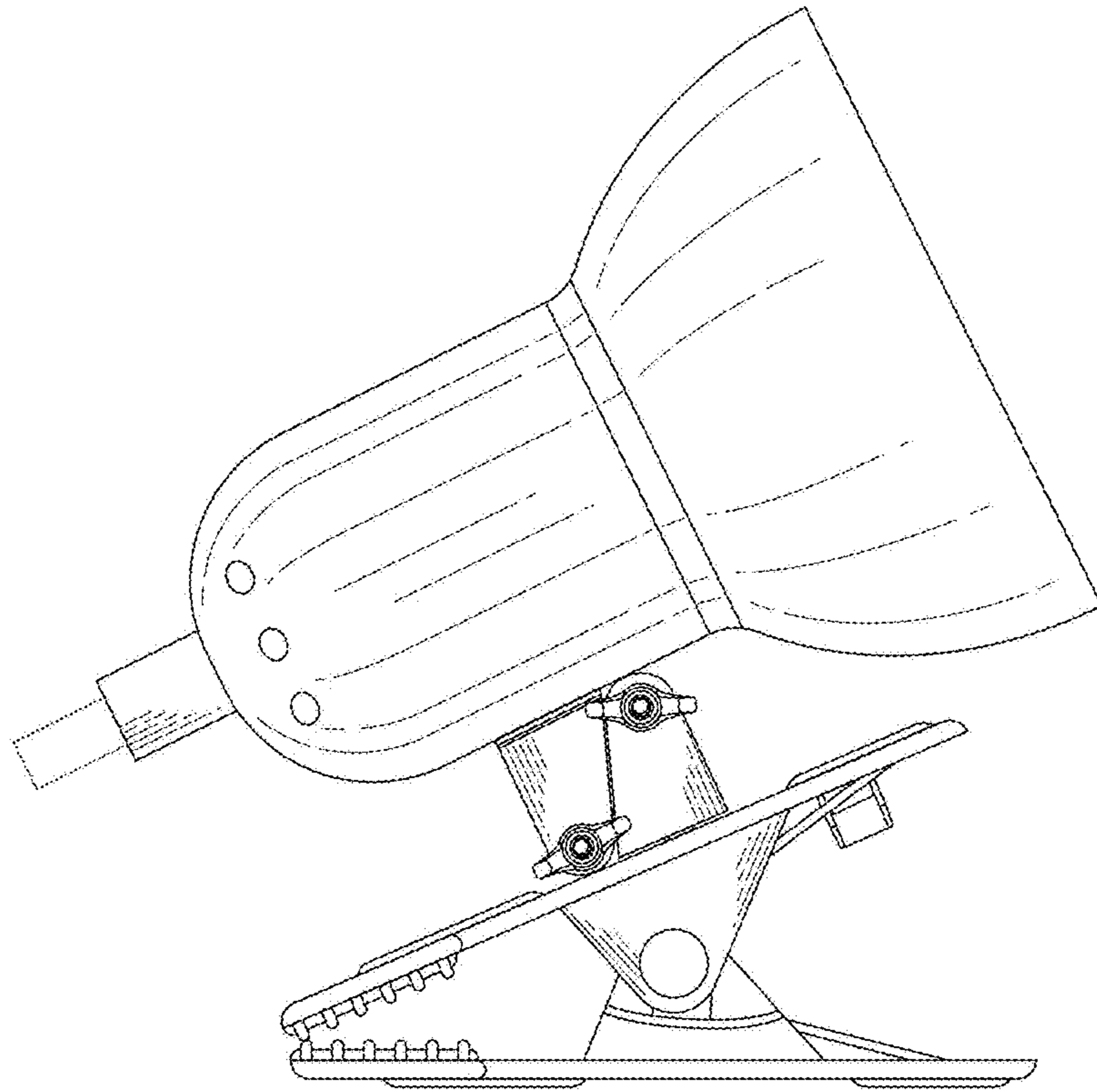


FIG.8

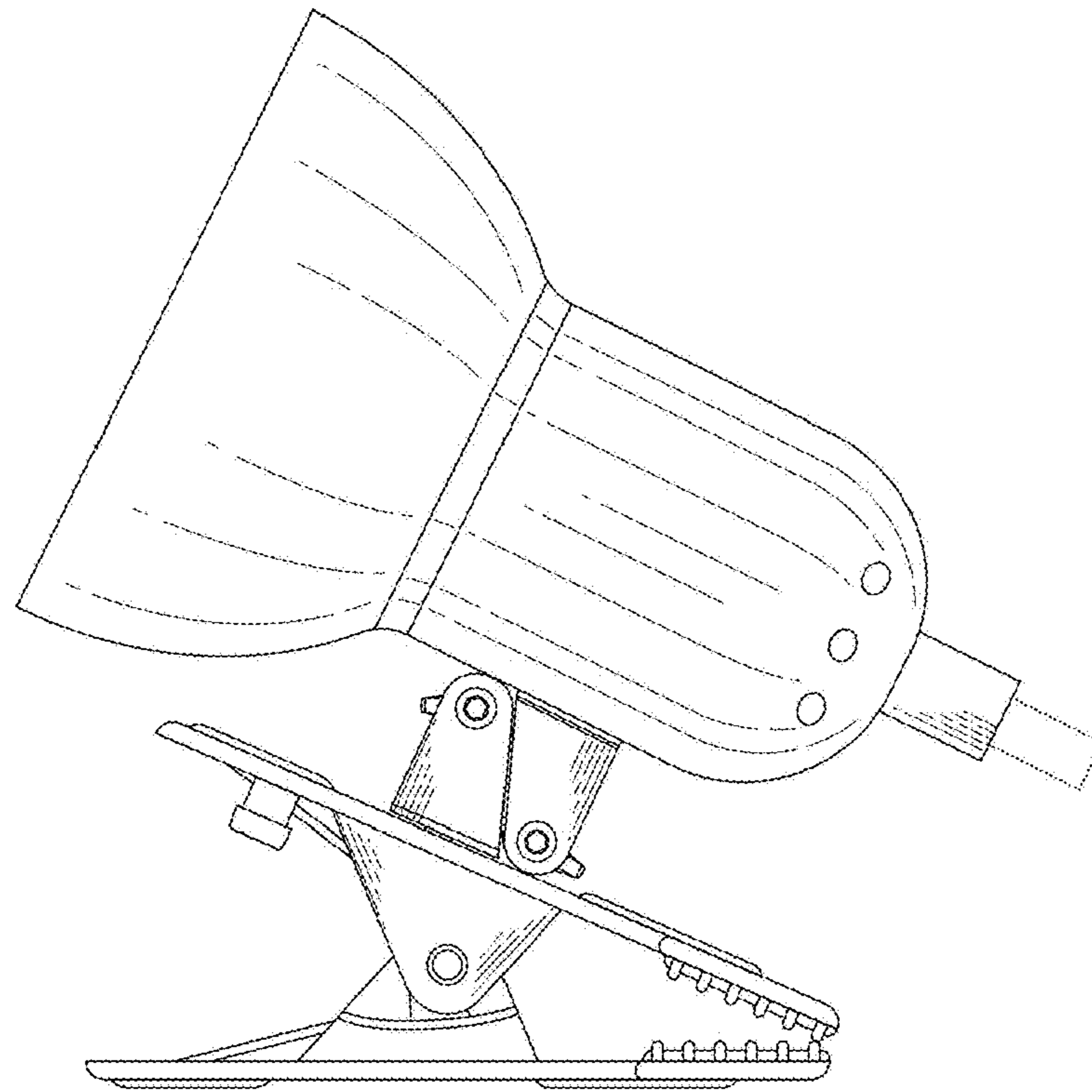


FIG.9

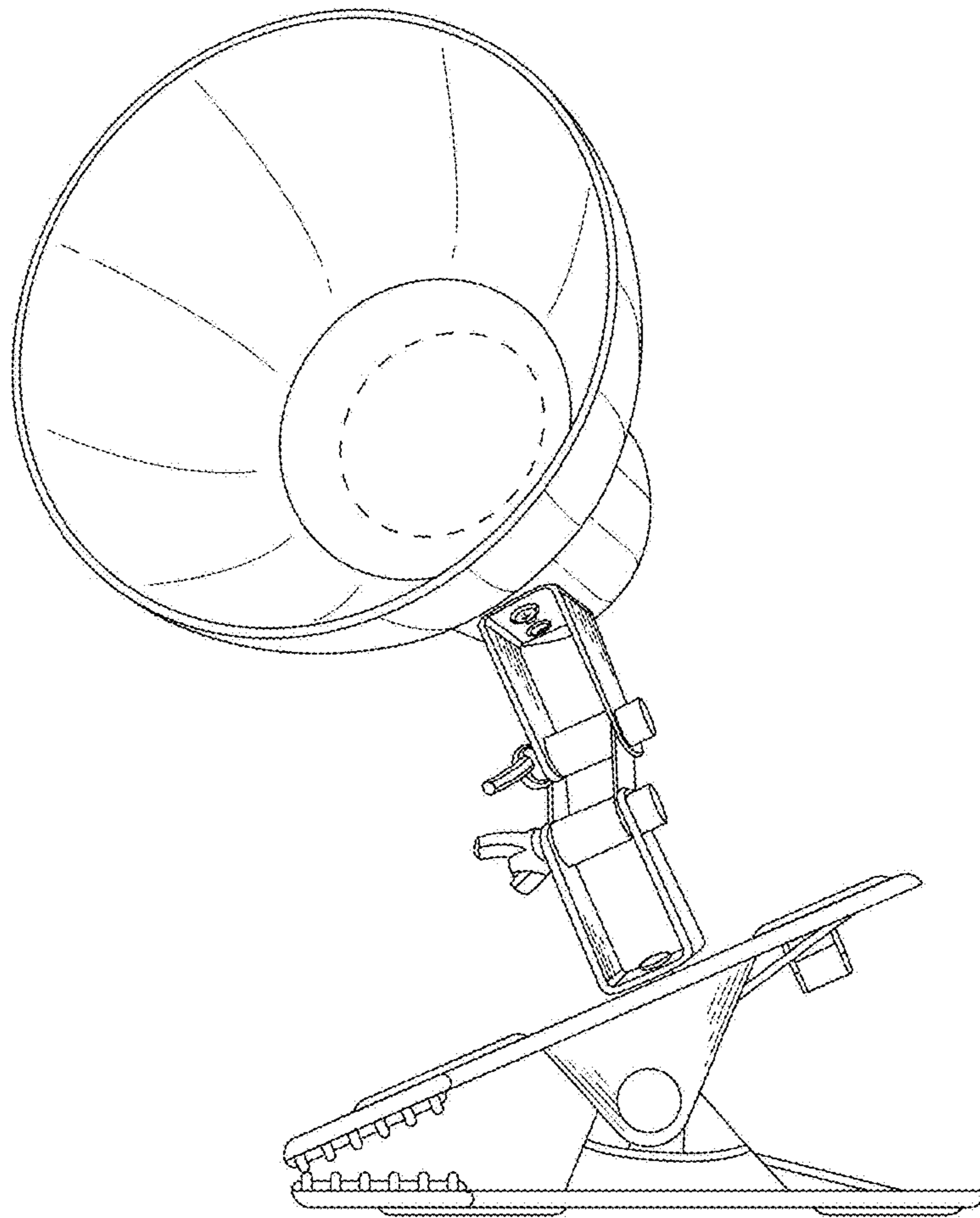


FIG.10