



US00D851310S

(12) **United States Design Patent**
Windom et al.

(10) **Patent No.:** **US D851,310 S**

(45) **Date of Patent:** **** Jun. 11, 2019**

(54) **PULL-OUT LIGHT**

(71) Applicant: **COAST CUTLERY CO.**, Portland, OR (US)

(72) Inventors: **Gregory David Windom**, Portland, OR (US); **Douglas R. Hutchens**, Lake Oswego, OR (US)

(73) Assignee: **Coast Cutlery Co.**, Portland, OR (US)

(**) Term: **15 Years**

(21) Appl. No.: **29/629,344**

(22) Filed: **Dec. 12, 2017**

(51) **LOC (11) Cl.** **26-02**

(52) **U.S. Cl.**
USPC **D26/49**

(58) **Field of Classification Search**
USPC D26/37-51
CPC F21L 2003/00; F21L 4/00; F21L 4/005; F21L 4/02; F21L 4/025; F21L 4/027; F21L 4/04; F21L 4/08; F21L 2005/00; F21L 7/00; F21L 11/00; F21L 13/00; F21L 13/04; F21L 13/08; F21L 14/02; F21L 17/00; F21L 19/00; F21L 25/00

See application file for complete search history.

(56) **References Cited**

U.S. PATENT DOCUMENTS

D612,086 S *	3/2010	Brauer	D26/42
D636,512 S *	4/2011	Heath	D26/49
D647,231 S *	10/2011	Bertken	D26/38
D698,959 S *	2/2014	Shen	D26/46
D706,475 S *	6/2014	Lee	D26/49
D706,969 S *	6/2014	Casciotti	D26/49
D716,982 S *	11/2014	Corey	D26/49
D738,021 S *	9/2015	Wang	D26/41
D743,075 S *	11/2015	Keaton	D22/108

D765,898 S *	9/2016	Caito	D26/42
D797,336 S *	9/2017	Inskeep	D26/49
D802,192 S *	11/2017	Windom	D26/49
D823,510 S *	7/2018	Kunzendorf	D26/49
D827,893 S *	9/2018	Kunzendorf	D26/49
D831,250 S *	10/2018	Wu	D26/49

* cited by examiner

Primary Examiner — Lakiya G Rogers

Assistant Examiner — Carissa C Fitts

(74) *Attorney, Agent, or Firm* — Schwabe Williamson & Wyatt, P.C.

(57) **CLAIM**

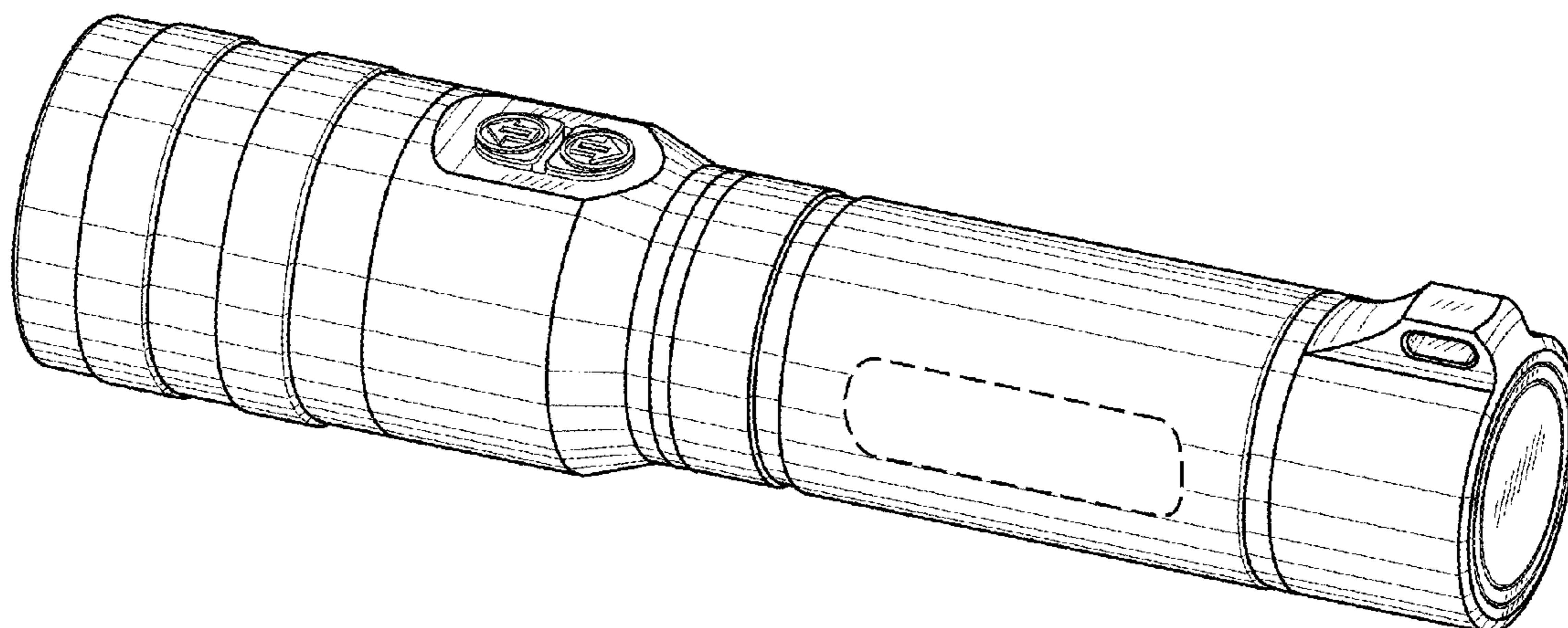
We claim the ornamental design for a pull-out flashlight, as shown and described.

DESCRIPTION

FIG. 1 is a perspective view showing our new design; FIG. 2 is a perspective view thereof, with the flashlight extended; FIG. 3 is a side elevation view thereof from the left side; FIG. 4 is a top plan elevation view thereof; FIG. 5 is an elevation view thereof from the underside; FIG. 6 is an end elevation view thereof from the front of the flashlight; FIG. 7 is an end elevation view thereof from the rear of the flashlight; FIG. 8 is a side elevation view thereof from the left side, with the flashlight extended; FIG. 9 is a side elevation view thereof from the right side, with the flashlight extended; FIG. 10 is a top plan view thereof with the flashlight extended; and, FIG. 11 is an elevation view thereof from the underside, with the flashlight extended.

The broken line showing represents portions of the article not claimed and forms no part of the claimed design.

1 Claim, 4 Drawing Sheets



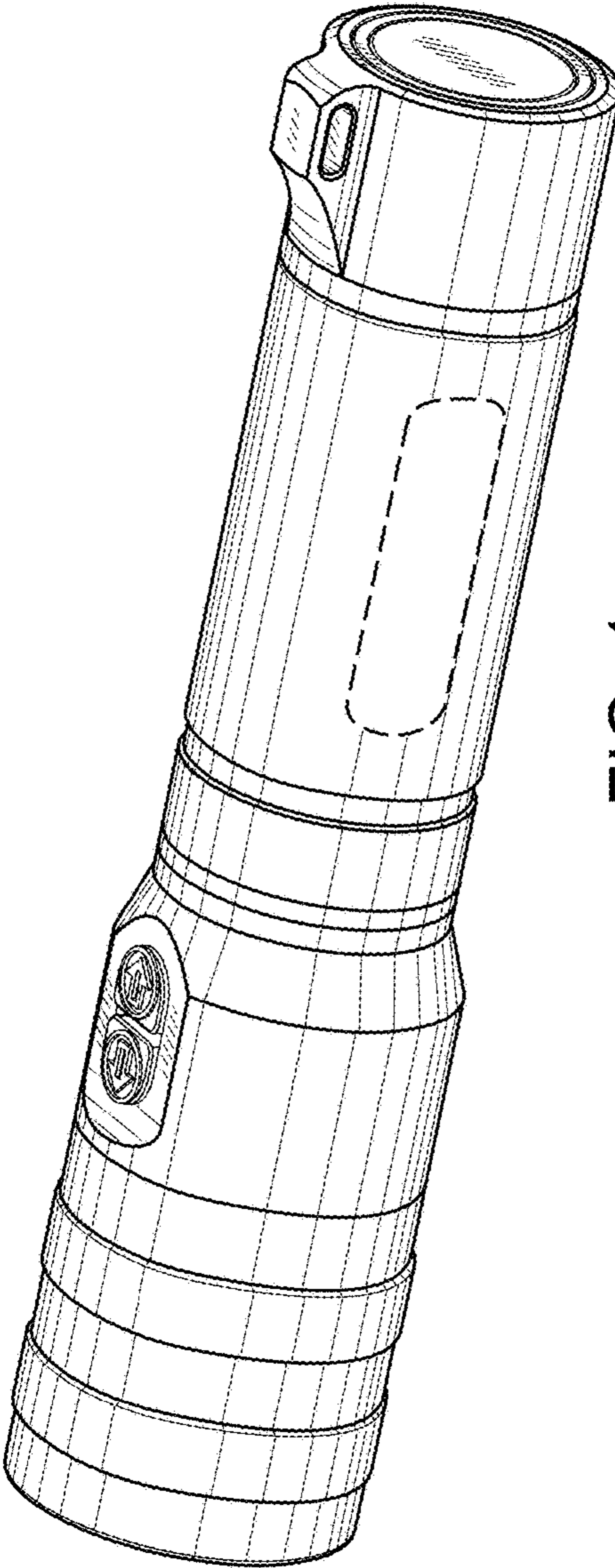


FIG. 1

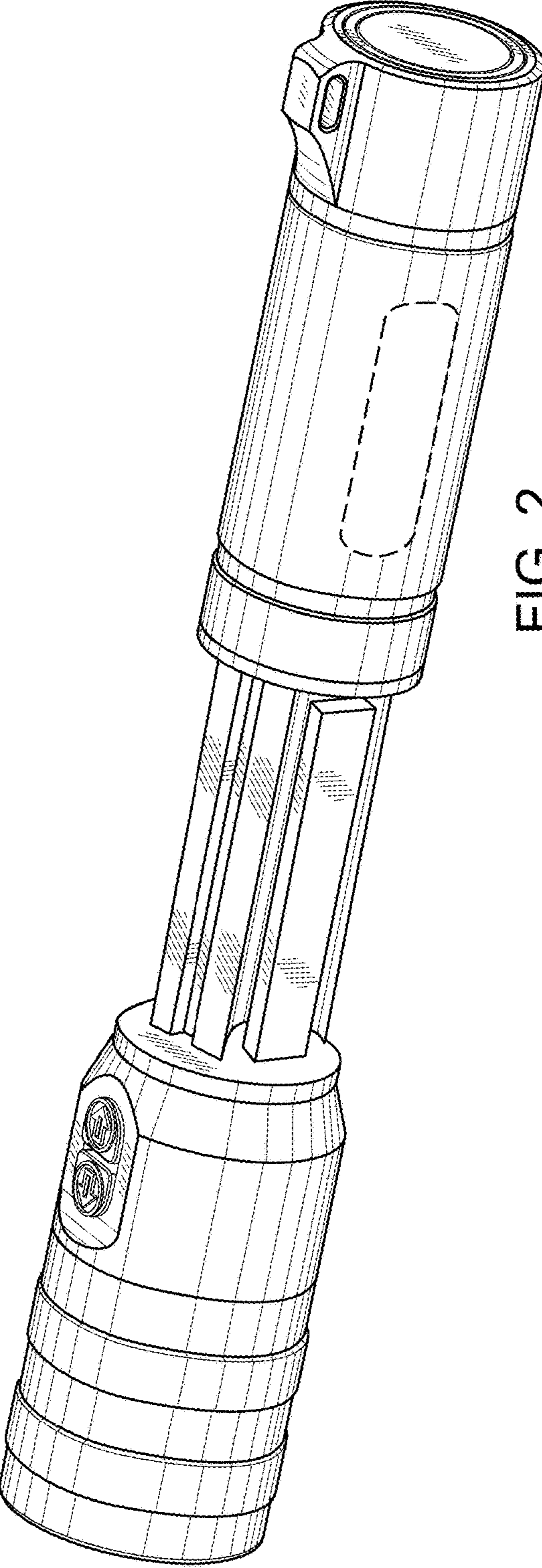


FIG. 2

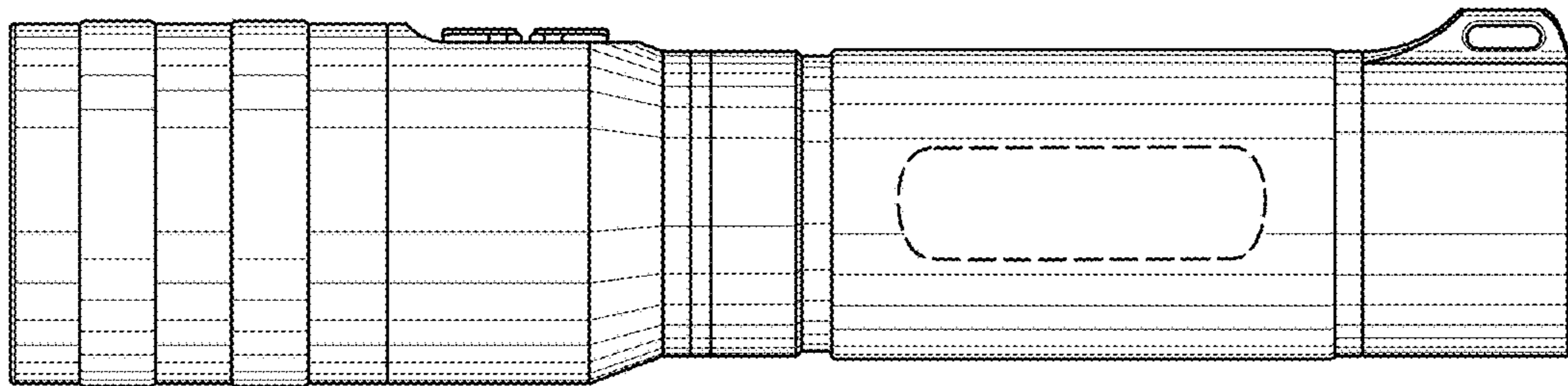


FIG. 3

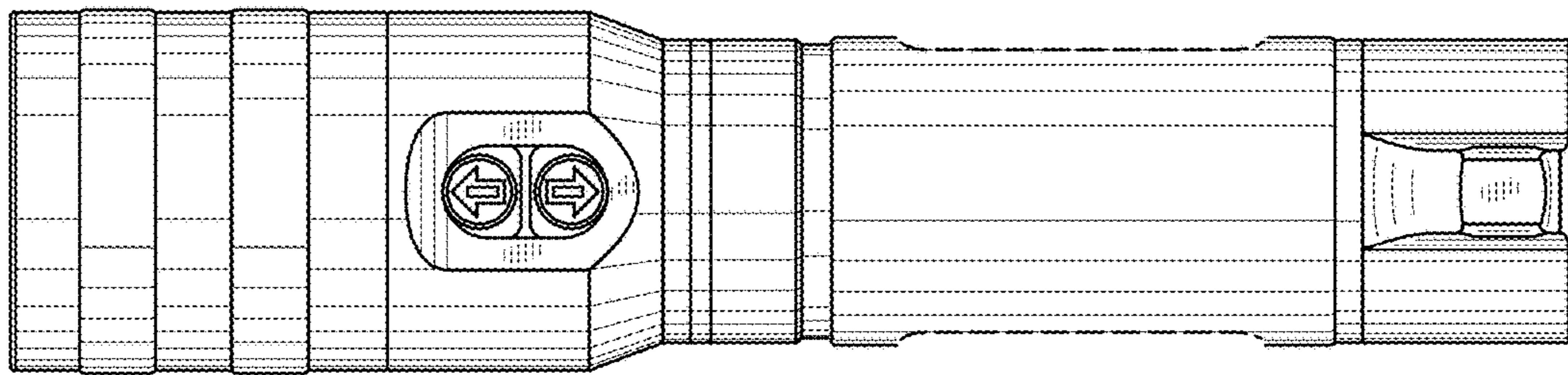


FIG. 4

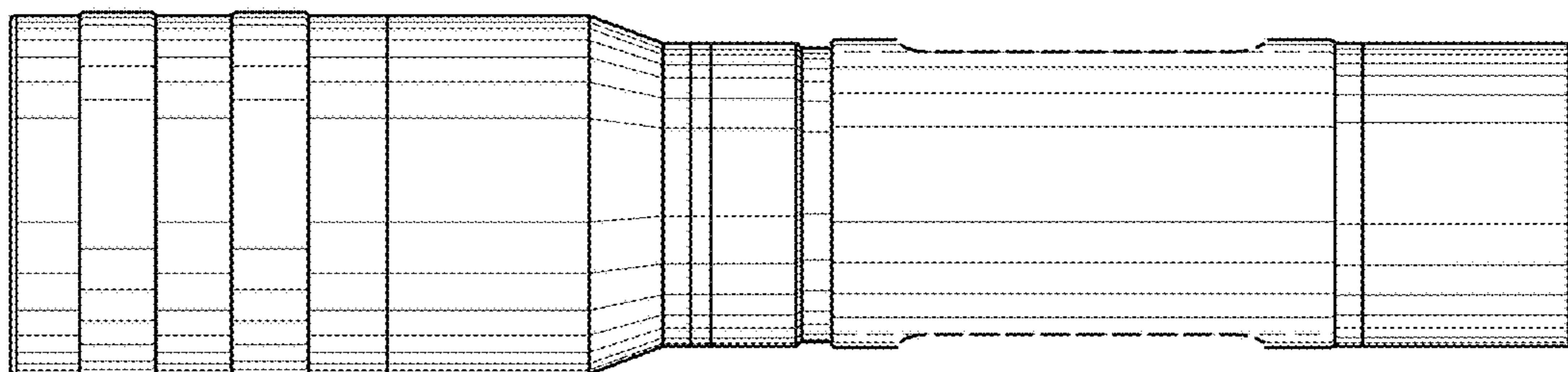


FIG. 5

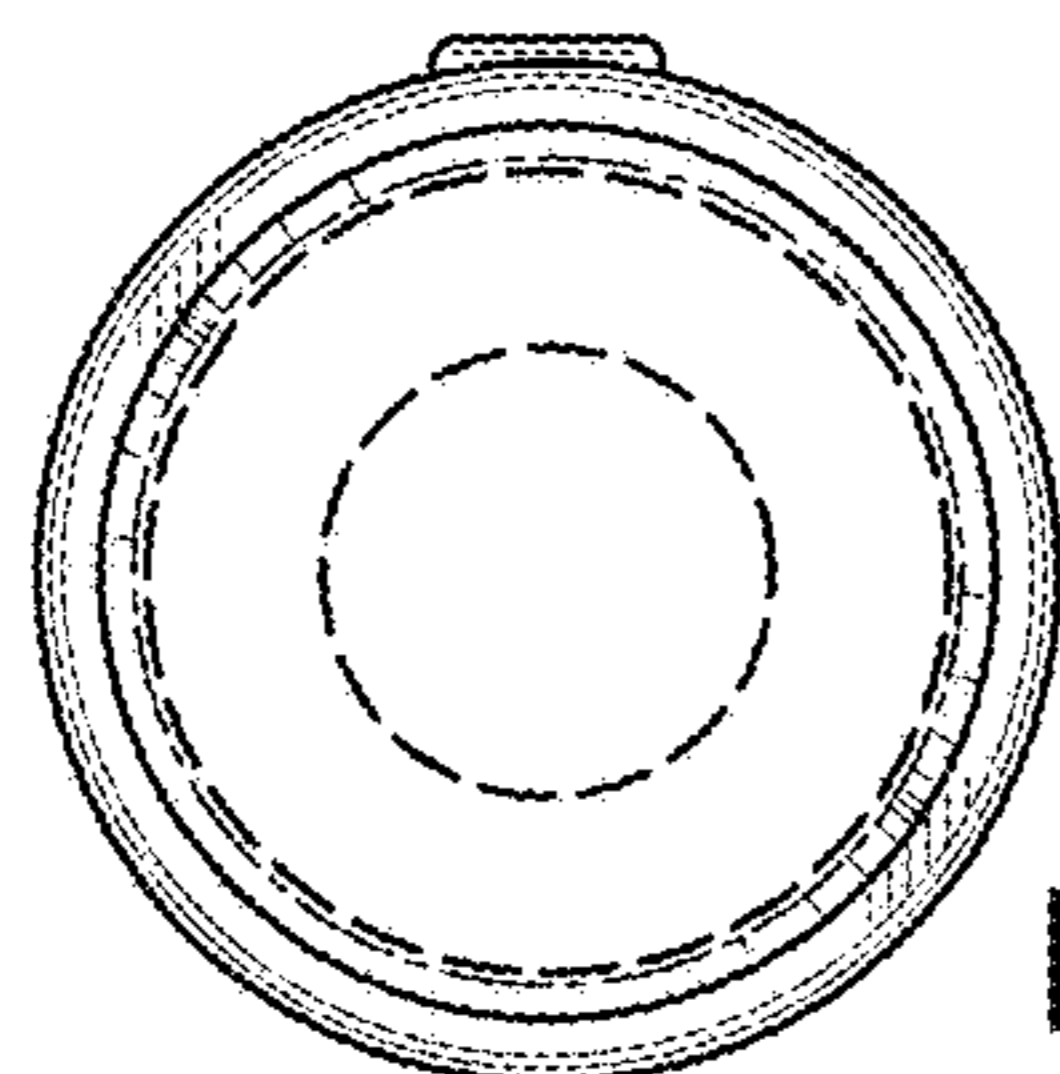


FIG. 6

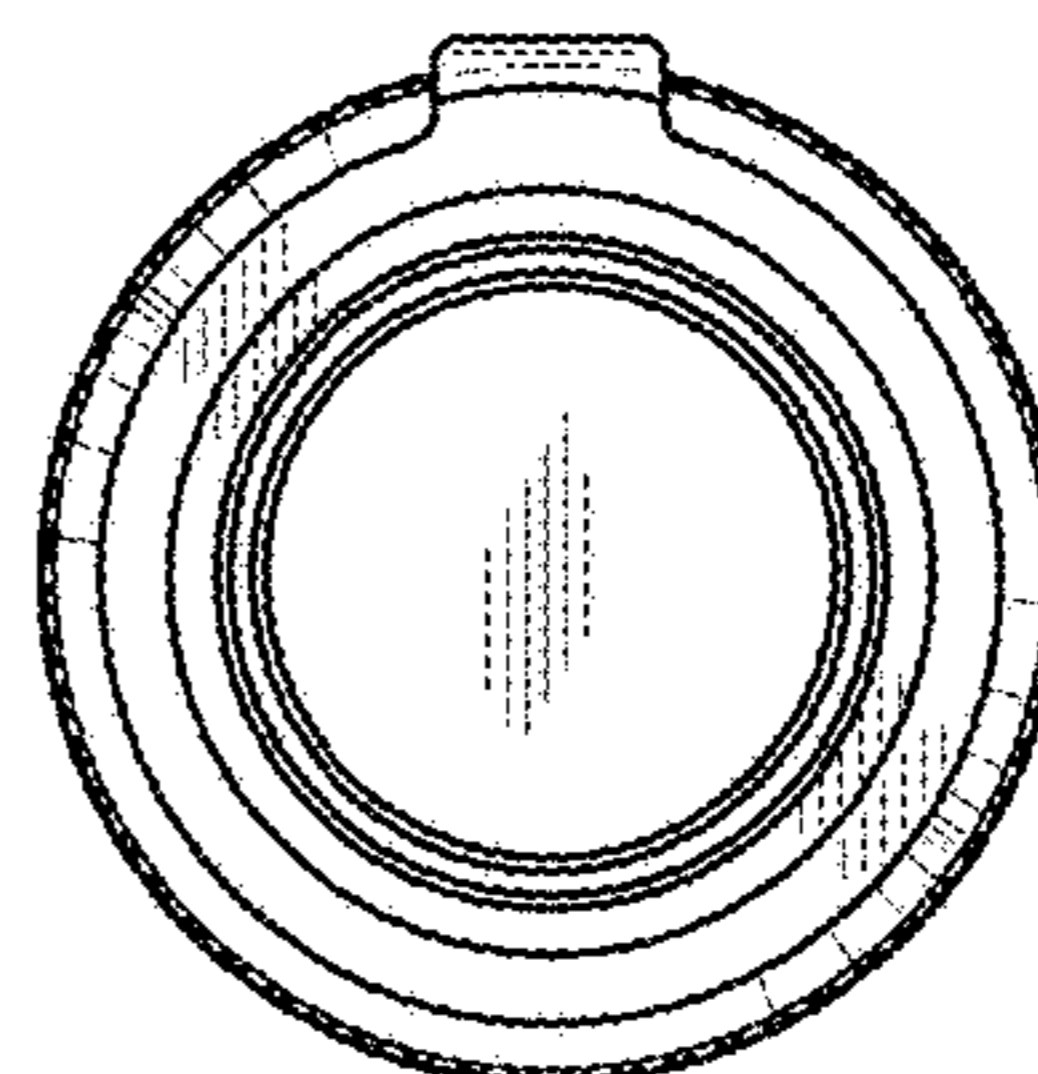


FIG. 7

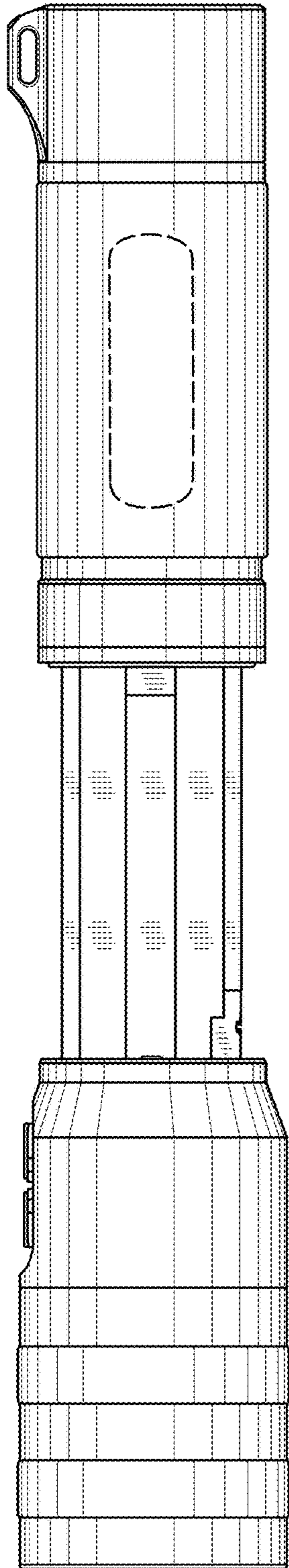


FIG. 8

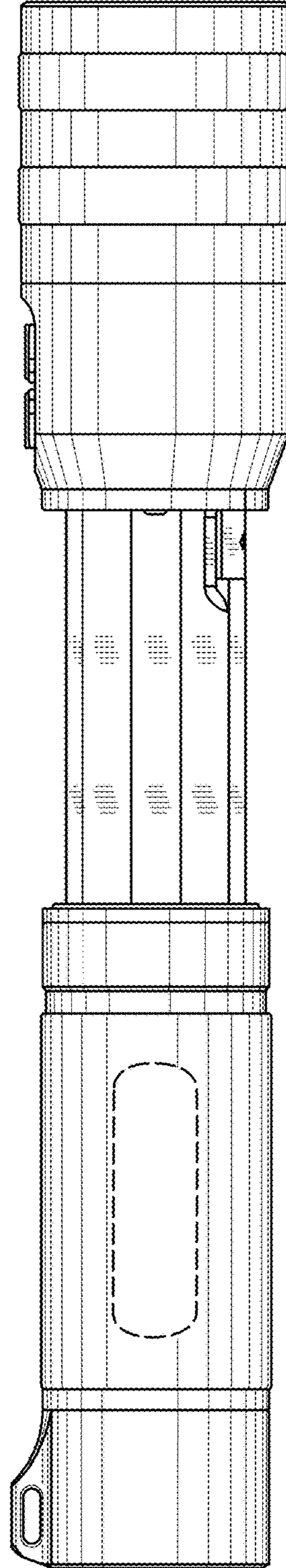


FIG. 9

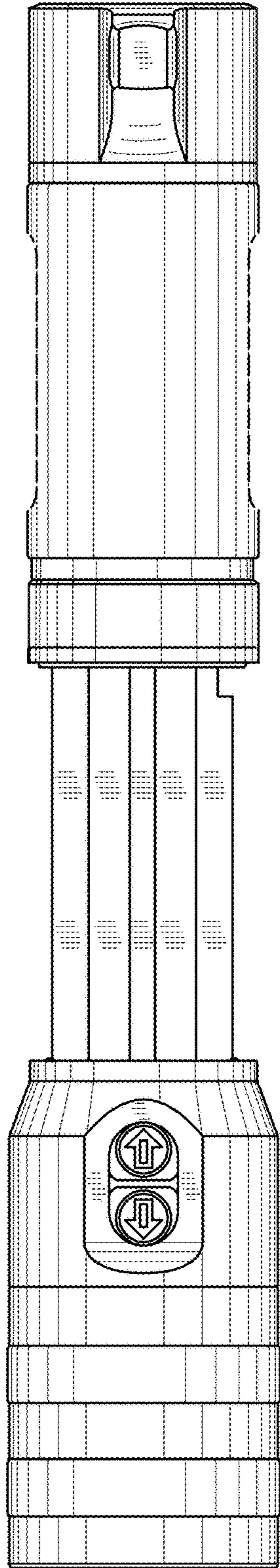


FIG. 10

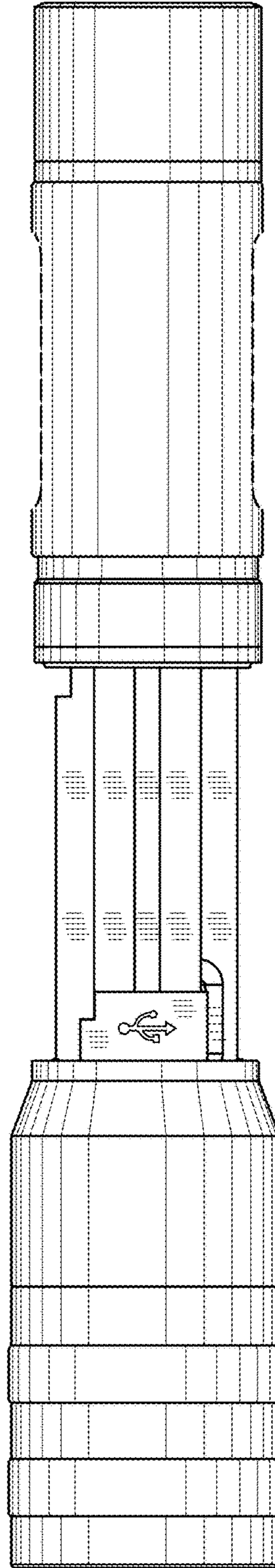


FIG. 11