



US00D851309S

(12) **United States Design Patent**
Sharrah et al.

(10) **Patent No.:** **US D851,309 S**
(45) **Date of Patent:** **** Jun. 11, 2019**

(54) **LIGHTING DEVICE**

(71) Applicant: **Streamlight, Inc.**, Eagleville, PA (US)

(72) Inventors: **Raymond L. Sharrah**, Collegeville, PA (US); **Cleatis Eichelberger**, East Norriton, PA (US); **Donald J. Keeley**, Emmaus, PA (US)

(73) Assignee: **Streamlight, Inc.**, Eagleville, PA (US)

(**) Term: **15 Years**

(21) Appl. No.: **29/621,055**

(22) Filed: **Oct. 4, 2017**

(51) **LOC (11) Cl.** **26-02**

(52) **U.S. Cl.**
USPC **D26/44; D26/42**

(58) **Field of Classification Search**
USPC D26/37-51
CPC F21L 2003/00; F21L 4/00; F21L 4/005;
F21L 4/02; F21L 4/025; F21L 4/027;
F21L 4/04; F21L 4/08; F21L 2005/00;
F21L 7/00; F21L 11/00; F21L 13/00;
F21L 13/04; F21L 13/08; F21L 14/02;
F21L 17/00; F21L 19/00; F21L 25/00
See application file for complete search history.

(56) **References Cited**

U.S. PATENT DOCUMENTS

5,653,529	A	8/1997	Spocharski	
6,857,756	B2	2/2005	Reiff et al.	
D505,217	S *	5/2005	Bayat	D26/42
7,338,189	B2	3/2008	Kovacik et al.	
7,492,063	B2	2/2009	Bayat et al.	
D590,532	S *	4/2009	Levine	D26/60
7,625,099	B2	12/2009	Newton et al.	
D615,681	S *	5/2010	Thomson	D26/63
D656,646	S *	3/2012	Kawase	D26/44
D661,417	S *	6/2012	Kung	D26/42

D672,894	S	12/2012	Bayat et al.	
8,414,142	B2 *	4/2013	Tucker	F21L 4/027 362/184
D691,310	S *	10/2013	Zhou	D26/37
D698,959	S *	2/2014	Shen	D26/46
D703,356	S *	4/2014	Grandadam	D26/44

(Continued)

OTHER PUBLICATIONS

Ultra Slim Rechargeable Worklight Light Torch 150 Degree Folding Head 15 LEDs, [online], [Retrieved on Sep. 25, 2017], Retrieved from the internet: <<http://www.ebay.co.uk/itm/Ultra-Slim-Rechargeable-Worklight-Light-Torch-150-Degree-Folding-Head-15-LED-s-142162906109>>.

(Continued)

Primary Examiner — Karen E Kearney
Assistant Examiner — Carissa C Fitts
(74) *Attorney, Agent, or Firm* — Design IP

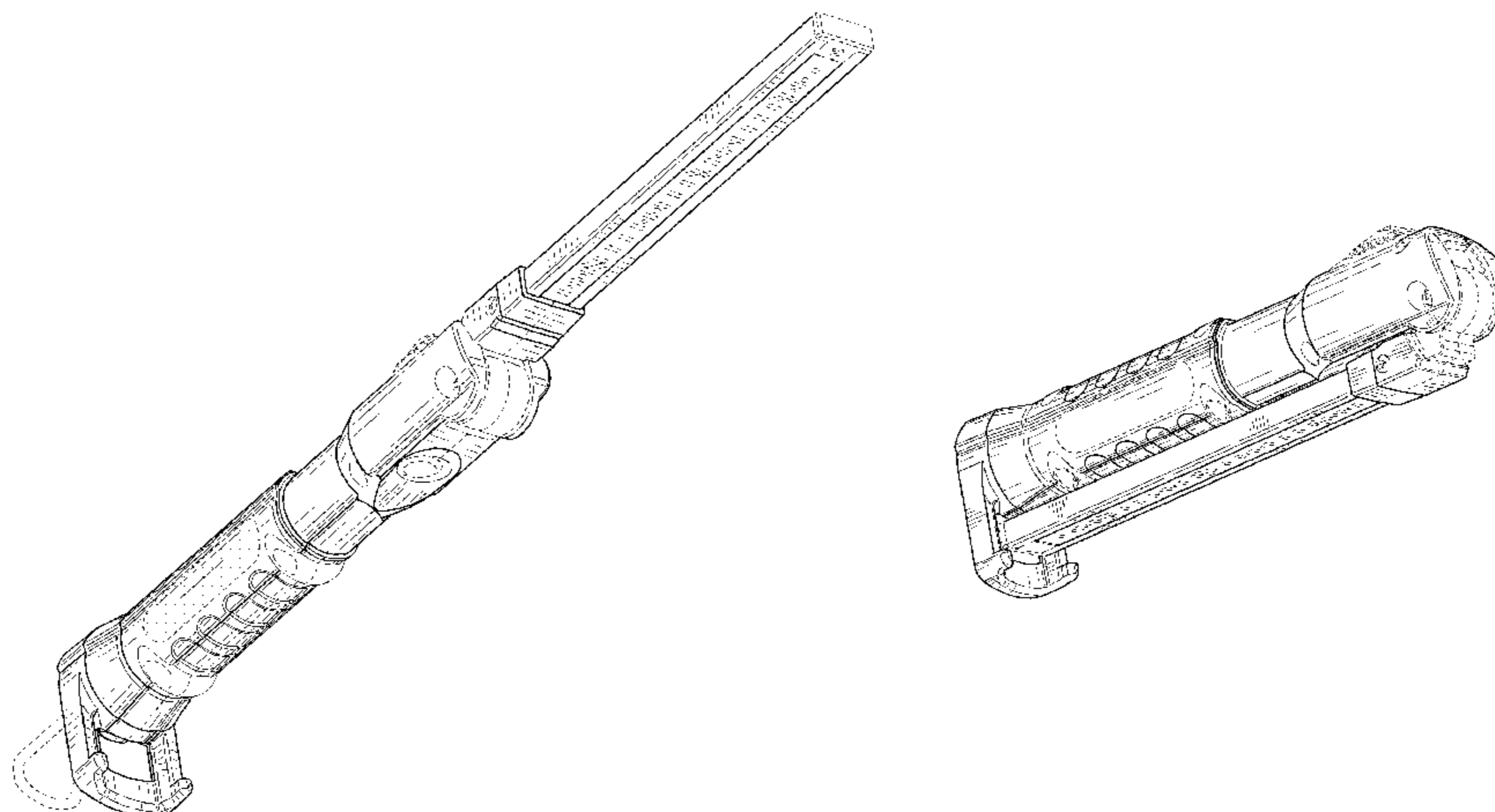
(57) **CLAIM**

The ornamental design for a lighting device, as shown and described.

DESCRIPTION

FIG. 1 is a front perspective view of a lighting device showing our new design;
FIG. 2 is a front elevation view thereof;
FIG. 3 is a rear elevation view thereof;
FIG. 4 is a left side elevation view thereof;
FIG. 5 is a right side elevation view thereof;
FIG. 6 is a top plan view thereof; and,
FIG. 7 is a front perspective view thereof, with a portion of the lighting device in an alternate configuration.
The dashed broken lines in FIGS. 1-7 show unclaimed portions of the lighting device. The dashed-dotted broken lines in FIGS. 1-7 show unclaimed boundaries between claimed and unclaimed subject matter. The oblique line shading in FIGS. 1-3 and 7 show a translucent or transparent material. The remaining line shading in FIGS. 1-7 show surface contours, not surface ornamentation. The bottom view is omitted and forms no part of the claimed design.

1 Claim, 4 Drawing Sheets



(56)

References Cited

U.S. PATENT DOCUMENTS

D703,357 S * 4/2014 Grandadam D26/44
 D732,215 S * 6/2015 Su D26/37
 D740,987 S 10/2015 Keeley
 D765,898 S * 9/2016 Caito D26/42
 D767,183 S * 9/2016 Caito D26/42
 D794,236 S * 8/2017 Kovacik D26/42
 D819,245 S * 5/2018 Garza F21V 21/30
 D26/44

2005/0007778 A1 1/2005 Lin
 2009/0290335 A1 11/2009 Levine

OTHER PUBLICATIONS

Illumibrite COB LED Foldable Work Light, [online], [Retrieved on Sep. 25, 2017], Retrieved from the internet: <http://www.premierproducts.com/Illumibrite-COB-LED-Foldable-Work-Light_p_50.html>.

Saber ATD-80345 500 Lumen COB LED Thin Light with Top Light, [online], [Retrieved on Sep. 25, 2017], Retrieved from the internet: <<https://atdtools.com/80345>>.

Saber ATD-80350 Thin Light with Top Light, [online], [Retrieved on Sep. 25, 2017], Retrieved from the internet: <<https://atdtools.com/80350>>.

Saber ATD-80369 Folding Mini Thin Light with Top Light, [online], [Retrieved on Sep. 25, 2017], Retrieved from the internet: <<https://atdtools.com/80369>>.

Streamlight Stinger Lite Pipe, [online], [Retrieved on Sep. 25, 2017], Retrieved from the internet: <<http://www.streamlight.com/en/products/detail/index/stinger-lite-pipe>>.

* cited by examiner

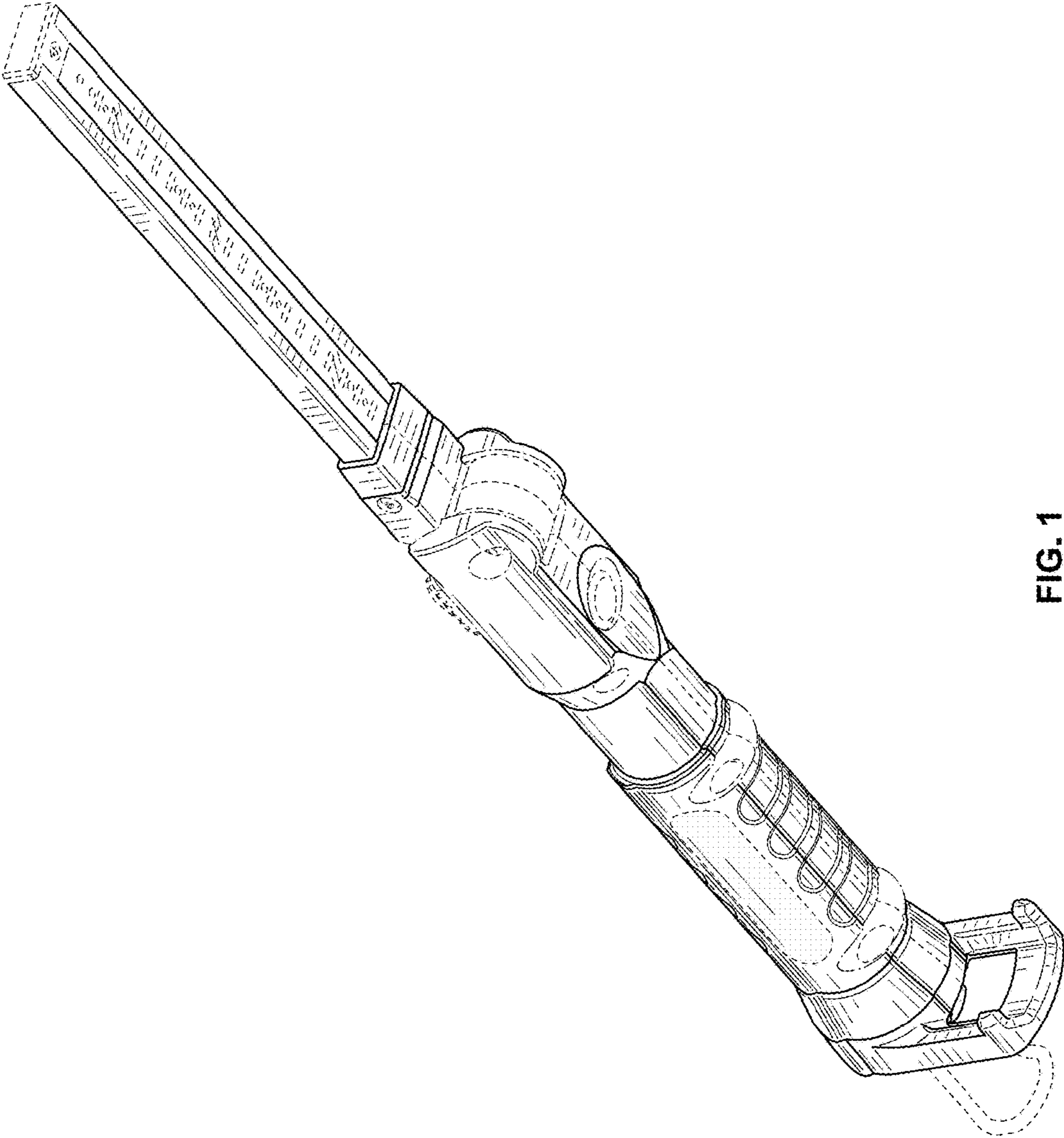


FIG. 1

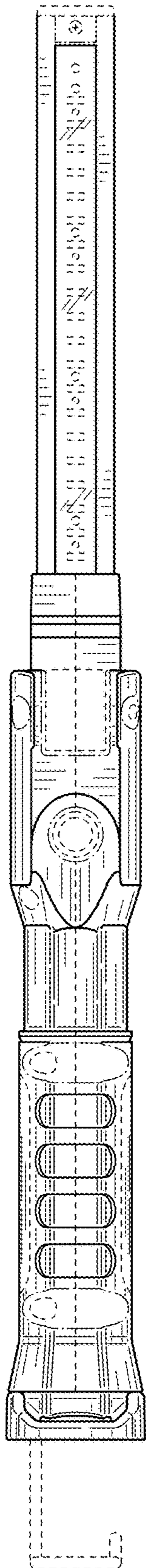


FIG. 2

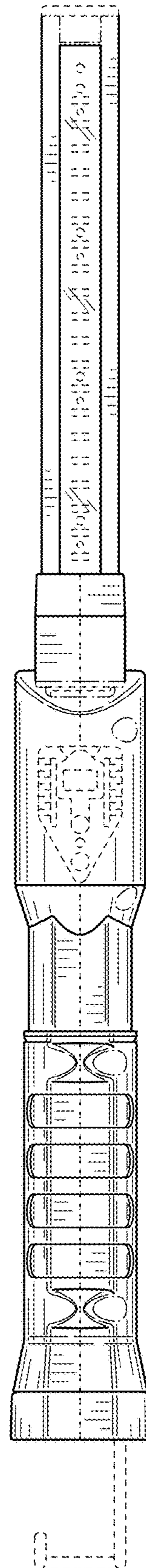
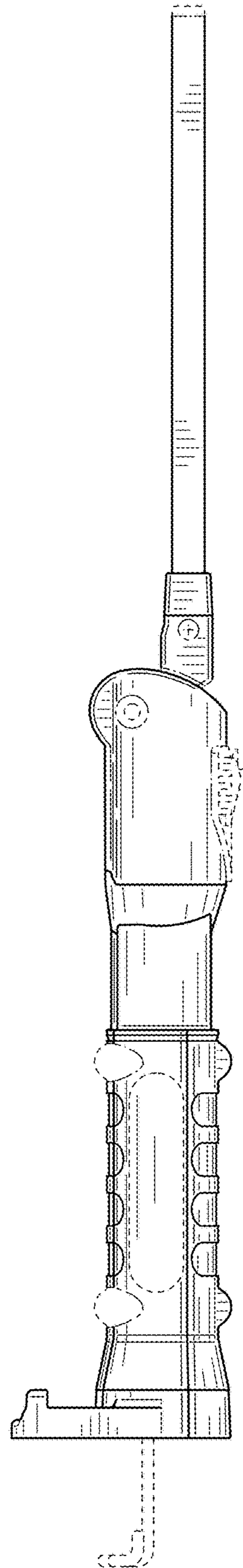
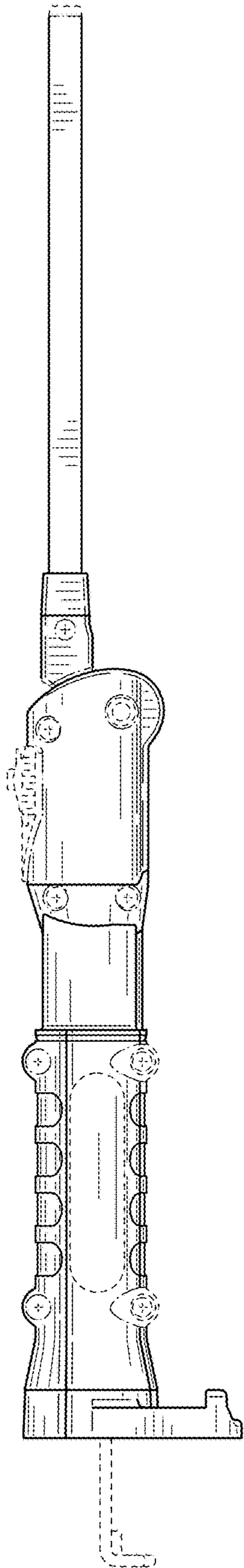


FIG. 3



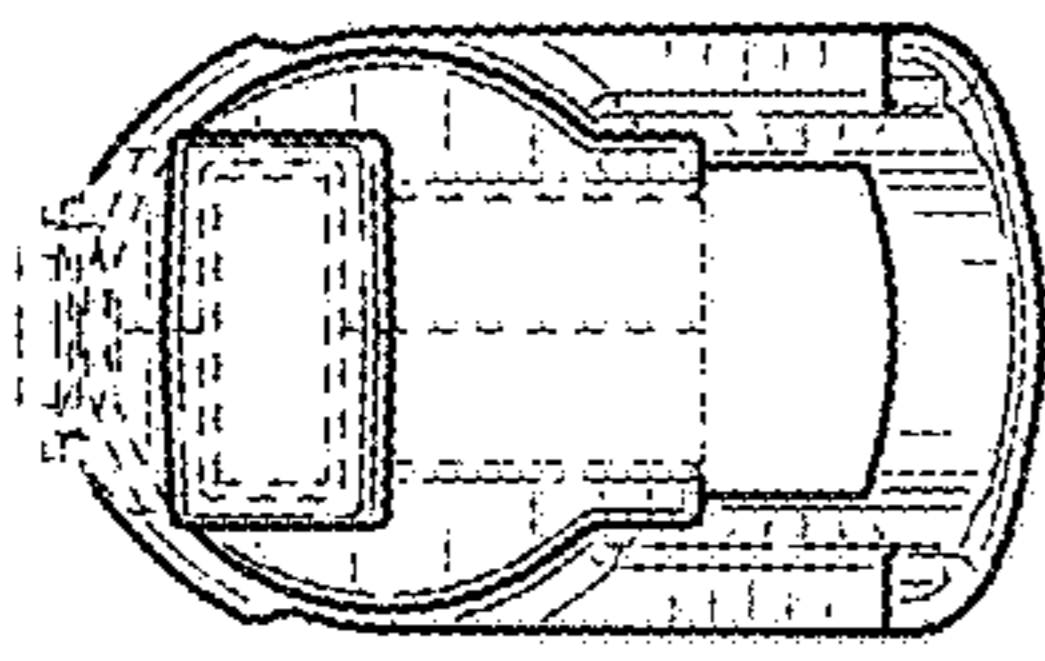


FIG. 6

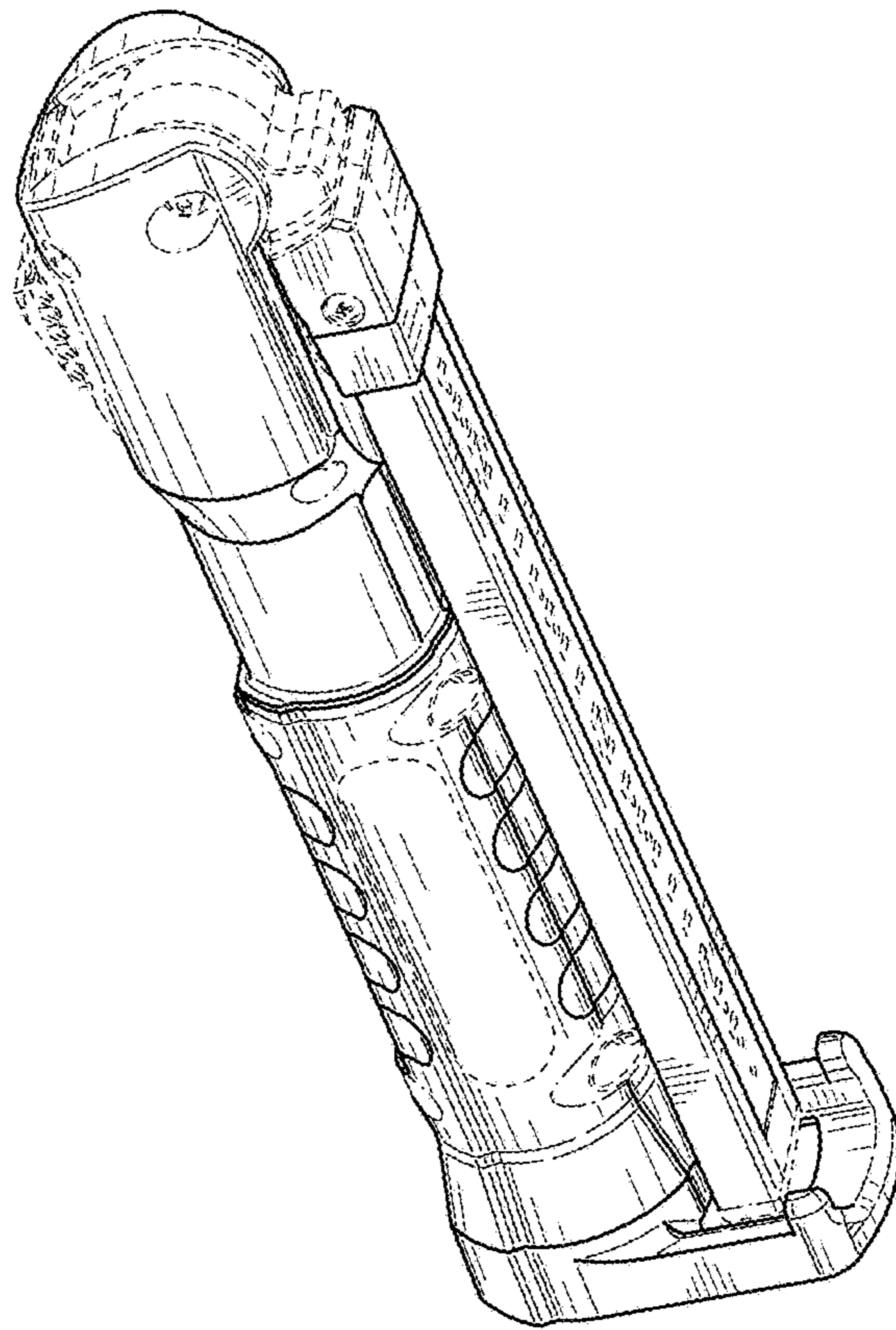


FIG. 7