



US00D851308S

(12) **United States Design Patent**
Ohara et al.

(10) **Patent No.:** **US D851,308 S**
(45) **Date of Patent:** **** Jun. 11, 2019**

(54) **LANTERN**

(71) Applicant: **Panasonic Intellectual Property Management Co., Ltd., Osaka (JP)**

(72) Inventors: **Kazuaki Ohara, Osaka (JP); Kazuma Uematsu, Kyoto (JP)**

(73) Assignee: **Panasonic Intellectual Property Management Co., Ltd., Osaka (JP)**

(**) Term: **15 Years**

(21) Appl. No.: **29/596,560**

(22) Filed: **Mar. 9, 2017**

(30) **Foreign Application Priority Data**

Sep. 21, 2016 (JP) 2016-020302

(51) **LOC (11) Cl.** **26-02**

(52) **U.S. Cl.**
USPC **D26/41; D26/44**

(58) **Field of Classification Search**
USPC D26/37-51, 63
CPC F21L 2003/00; F21L 4/00; F21L 4/005;
F21L 4/02; F21L 4/025; F21L 4/027;
F21L 4/04; F21L 4/08; F21L 2005/00;
F21L 7/00; F21L 11/00; F21L 13/00;
F21L 13/04; F21L 13/08; F21L 14/02;
F21L 17/00
See application file for complete search history.

(56) **References Cited**

U.S. PATENT DOCUMENTS

D293,481 S * 12/1987 Ohashi D26/38
5,685,631 A * 11/1997 Dobert F21V 21/096
362/158
D426,661 S * 6/2000 Yuen D26/38

D524,962 S * 7/2006 Farmer D26/37
D550,385 S * 9/2007 Hamilton D26/37
D553,771 S * 10/2007 Watson D26/37
D612,969 S * 3/2010 Schoch D26/50
D633,541 S * 3/2011 Khubani D16/135
D693,039 S * 11/2013 Poon D26/37
D695,434 S * 12/2013 Shen D26/41
D698,471 S * 1/2014 Poon D26/37
D737,491 S * 8/2015 Shen D26/50
D738,022 S * 9/2015 Shen D26/50
D821,014 S * 6/2018 Long D26/63

FOREIGN PATENT DOCUMENTS

JP D1401561 11/2010

* cited by examiner

Primary Examiner — Lakiya G Rogers

Assistant Examiner — Carissa C Fitts

(74) *Attorney, Agent, or Firm* — Panasonic IP Management; Kerry S. Culpepper

(57) **CLAIM**

We claim the ornamental design for a lantern, as shown and described.

DESCRIPTION

FIG. 1 is a front perspective view of a lantern of the present invention;
FIG. 2 is a front view thereof;
FIG. 3 is a rear view thereof;
FIG. 4 is a first side view thereof;
FIG. 5 is a second side view thereof;
FIG. 6 is a top view thereof;
FIG. 7 is a bottom view thereof, and,
FIG. 8 is a perspective view thereof shown in an opened position; and,
FIG. 9 is a perspective view thereof shown in a hooked and opened position.

1 Claim, 9 Drawing Sheets

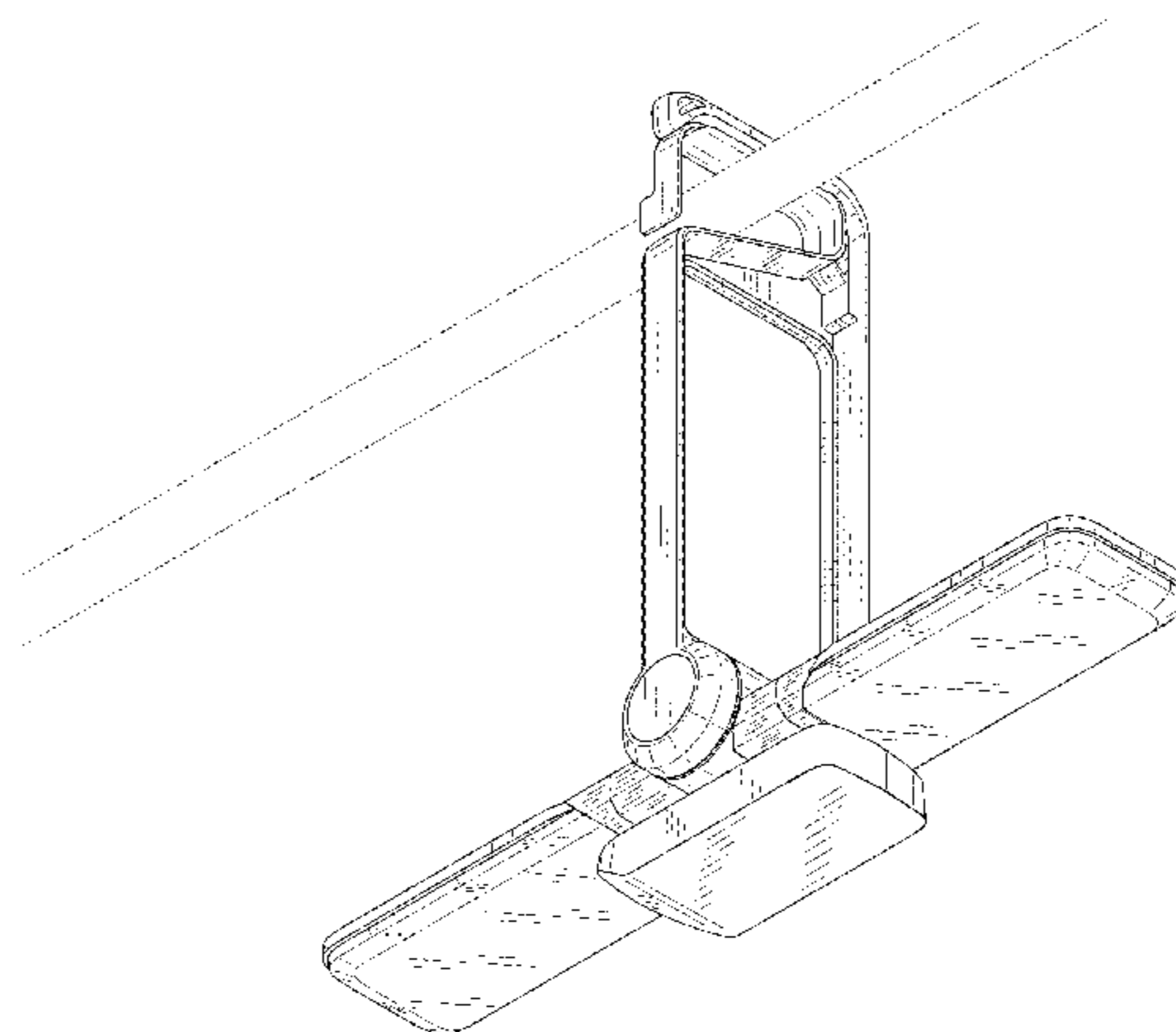
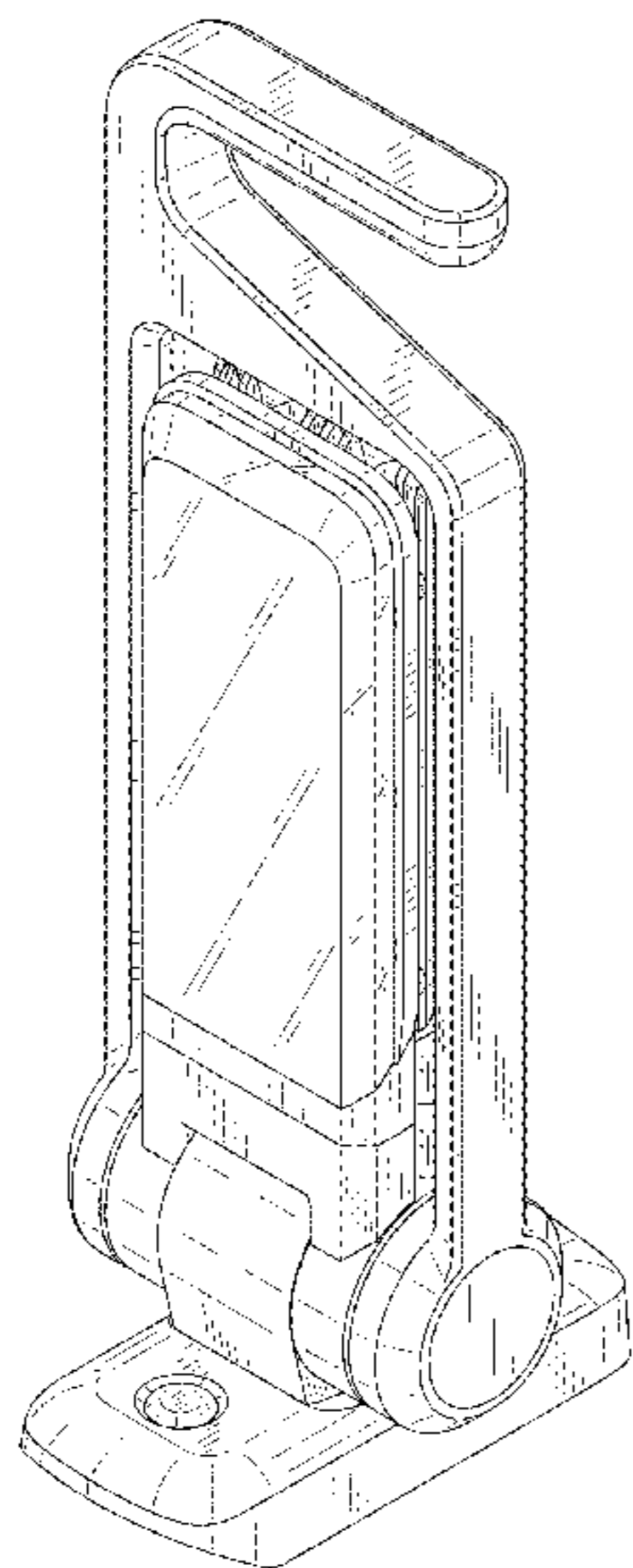


FIG. 1

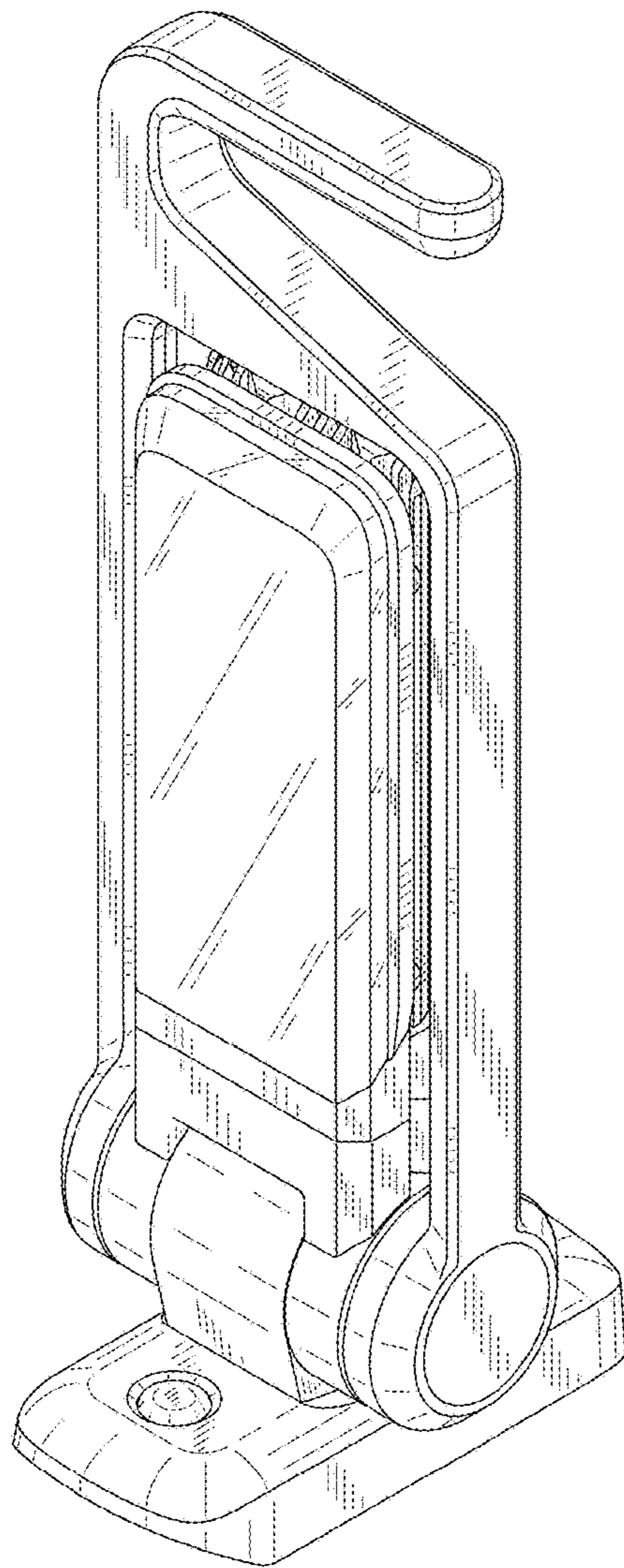


FIG. 2

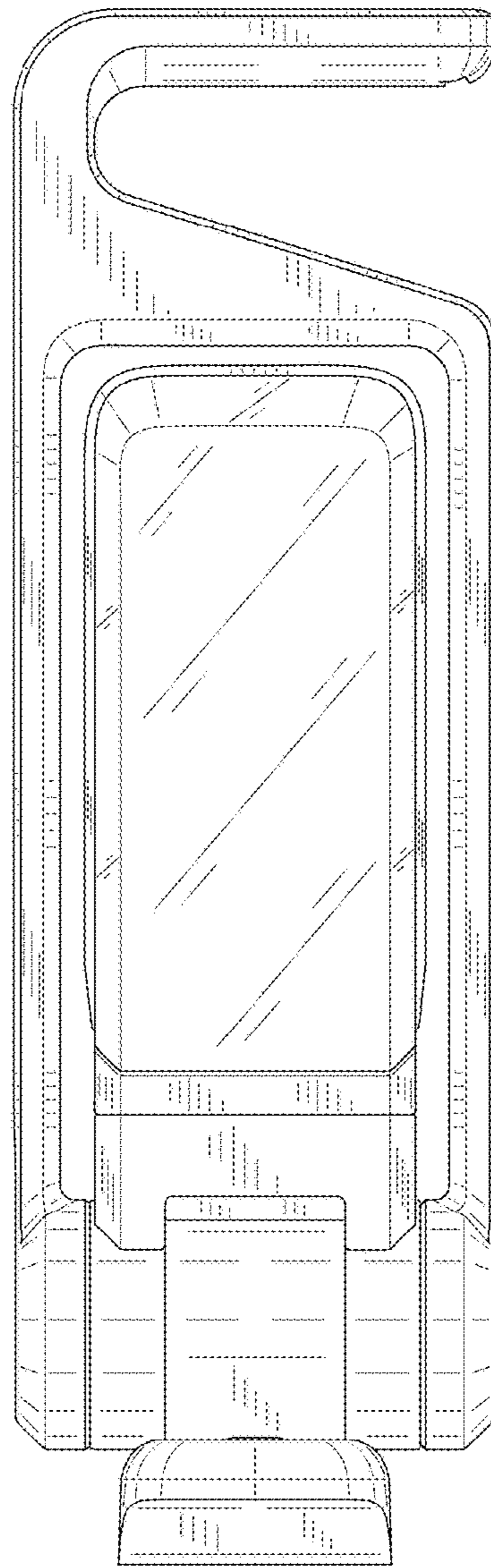


FIG. 3

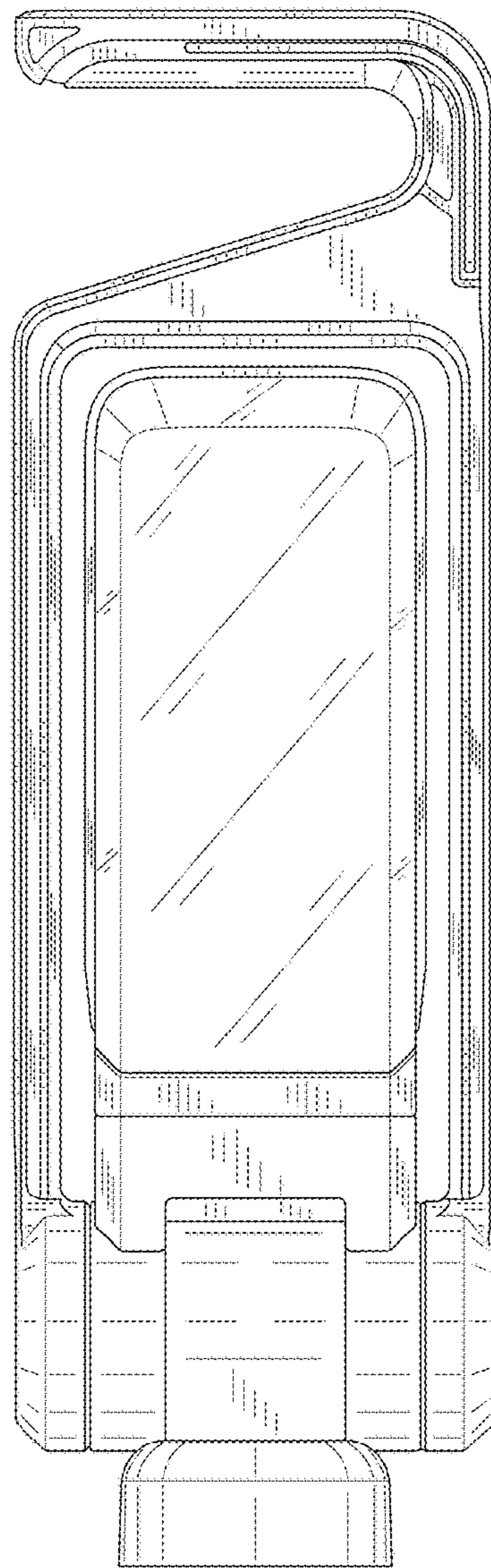


FIG. 4

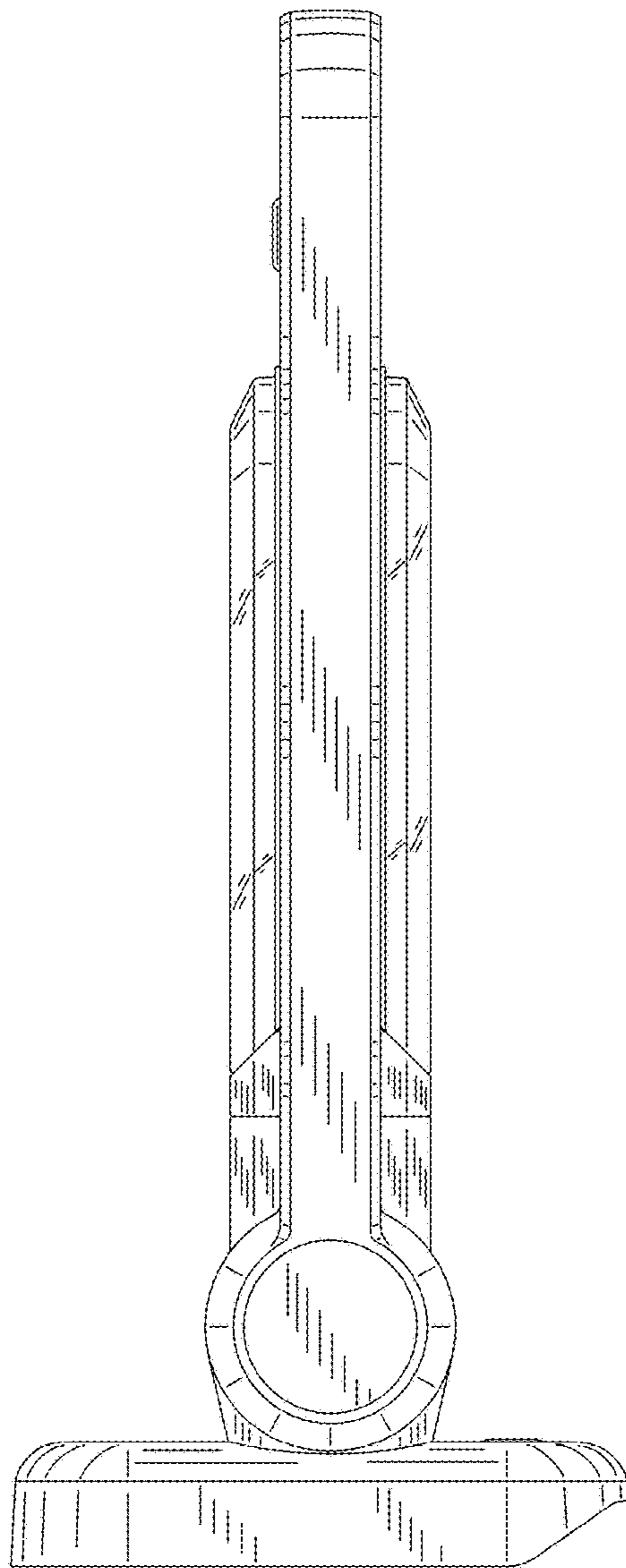


FIG. 5

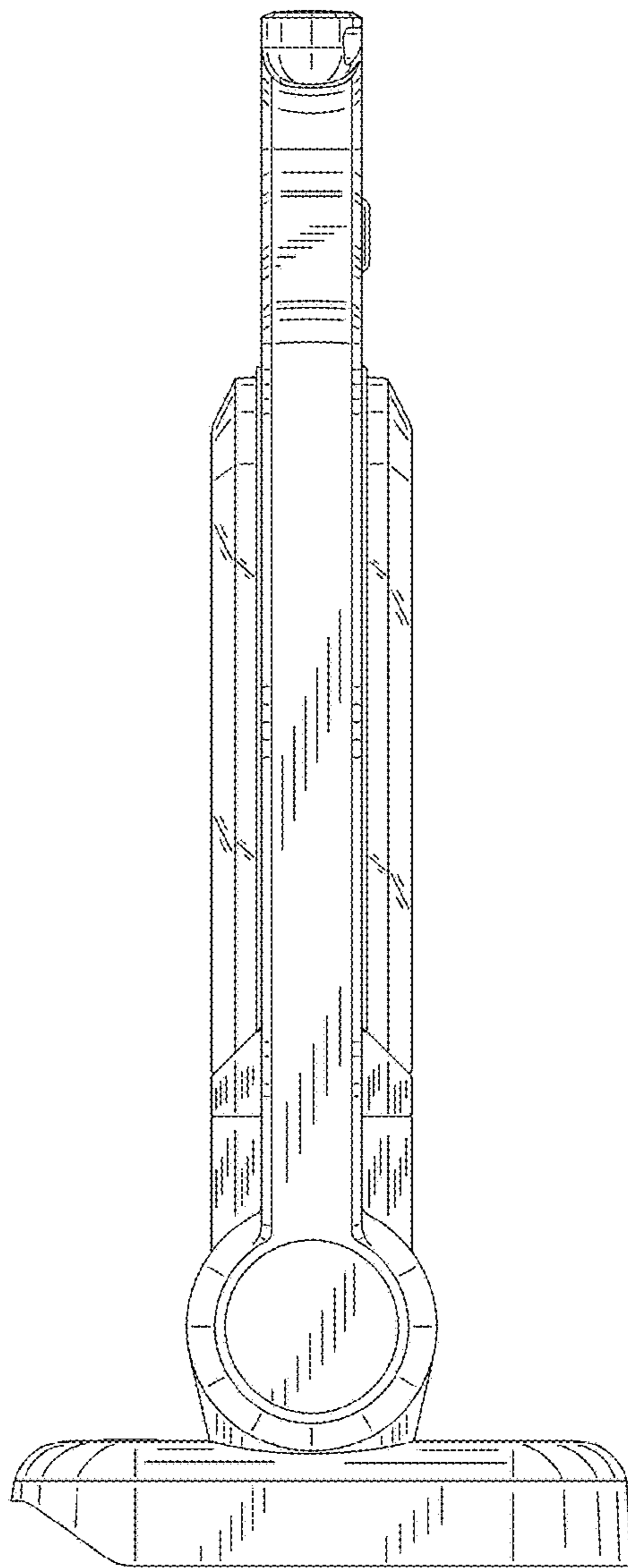


FIG. 6

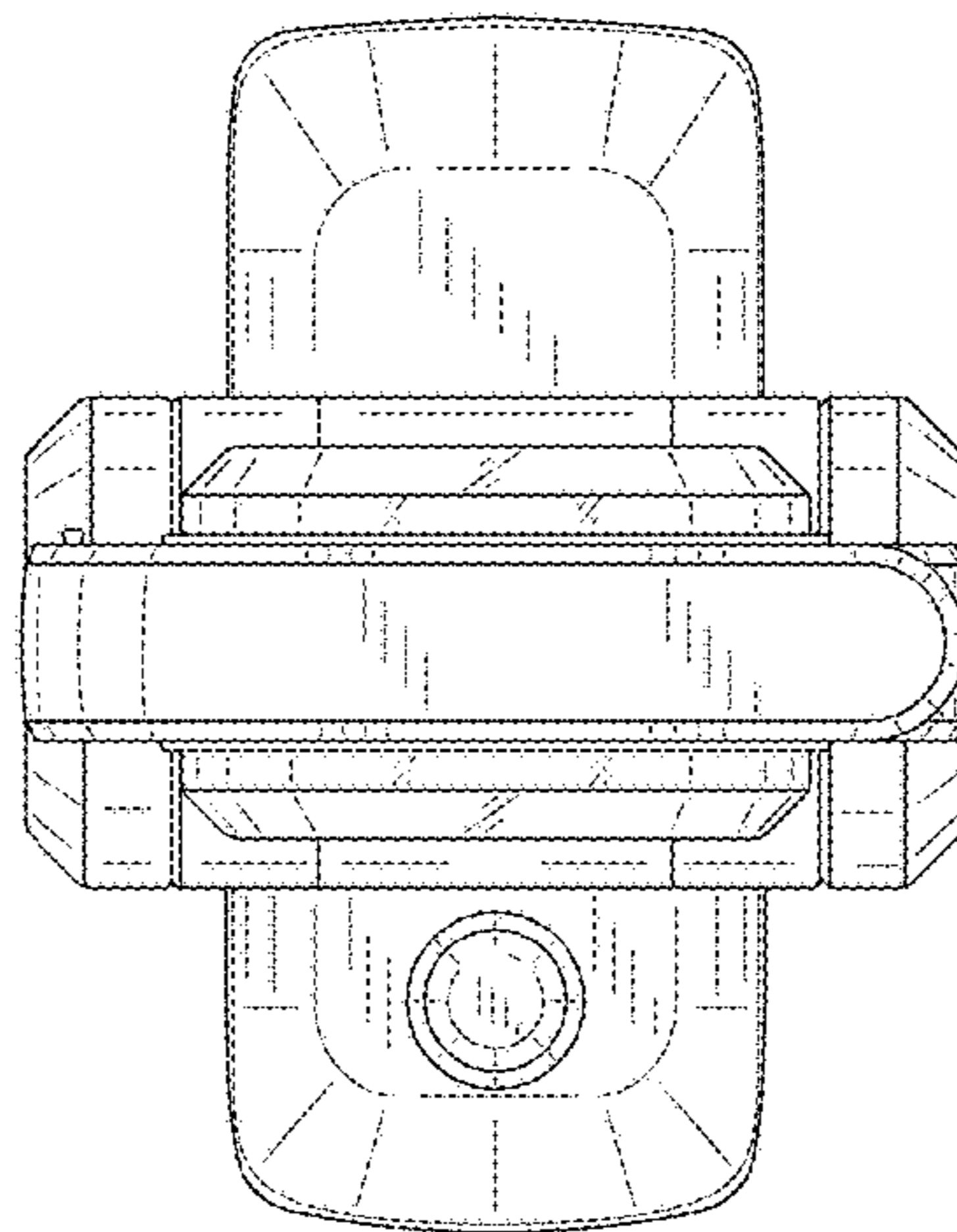


FIG. 7

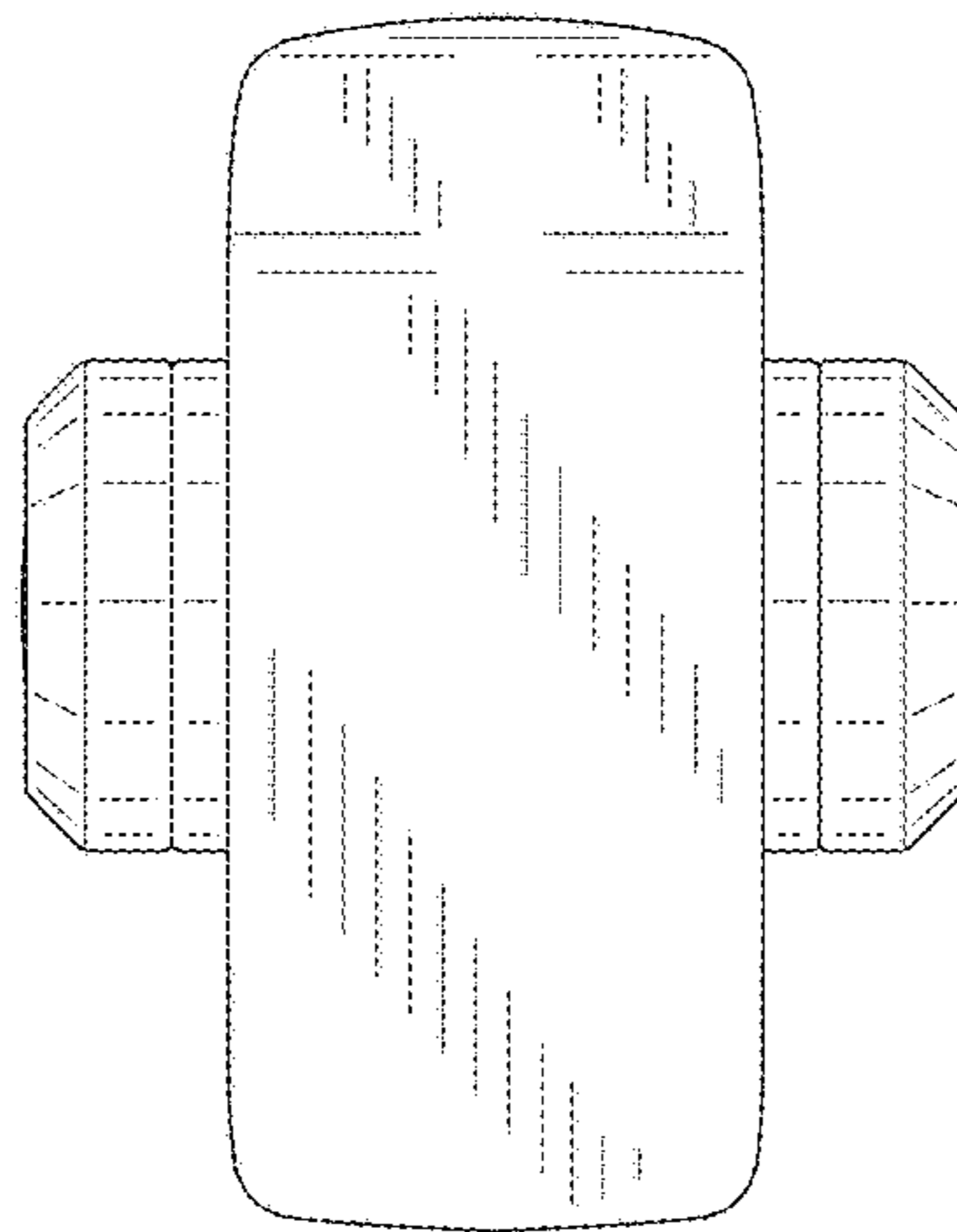


FIG. 8

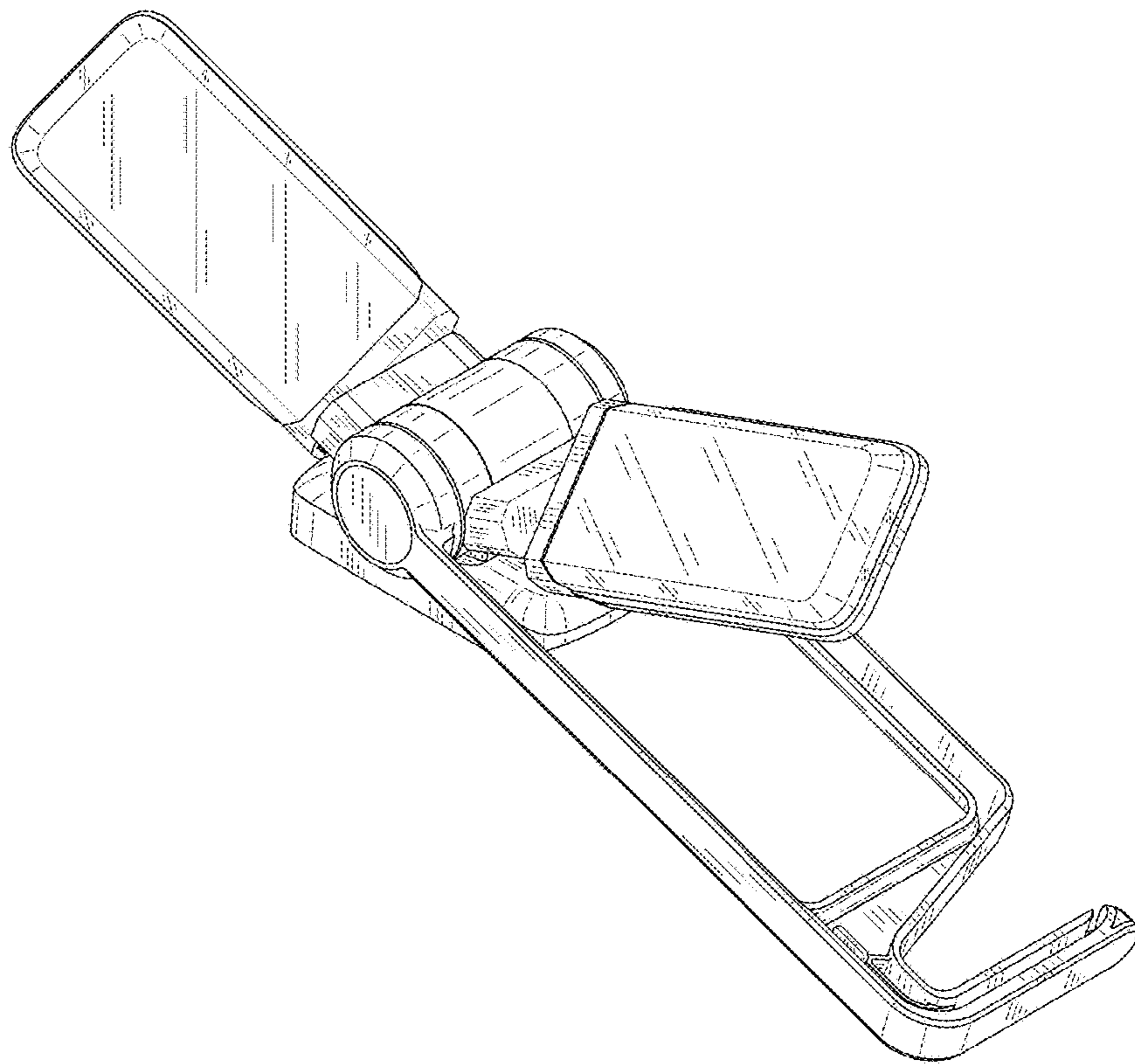


FIG. 9

