



US00D851304S

(12) **United States Design Patent** (10) **Patent No.:** **US D851,304 S**
Ko (45) **Date of Patent:** **** Jun. 11, 2019**

(54) **VEHICLE LAMP**

(56) **References Cited**

(71) Applicants: **In Hong Ko**, Seoul (KR); **VISION X ASIA CO., LTD.**, Hwaseong-si (KR)

U.S. PATENT DOCUMENTS

(72) Inventor: **In Hong Ko**, Seoul (KR)

D578,678 S * 10/2008 Huang D26/28
D693,035 S * 11/2013 Datz D26/28
D711,565 S * 8/2014 Tsai D26/28
D715,976 S * 10/2014 Chou D26/28

(73) Assignees: **In Hong Ko**, Seoul (KR); **VISION X ASIA CO., LTD.**, Gyeonggi-Do, Hwaseong-si (KR)

* cited by examiner

(**) Term: **15 Years**

Primary Examiner — Marcus A Jackson

(21) Appl. No.: **29/638,871**

(74) *Attorney, Agent, or Firm* — Cantor Colburn LLP

(22) Filed: **Mar. 1, 2018**

(57) **CLAIM**

The ornamental design for a vehicle lamp, as shown and described.

(30) **Foreign Application Priority Data**

DESCRIPTION

Sep. 7, 2017 (KR) 30-2017-0041900

(51) **LOC (11) Cl.** **26-06**

(52) **U.S. Cl.**
USPC **D26/28**

(58) **Field of Classification Search**
USPC D26/28-36
CPC F21S 48/00; F21S 48/10; F21S 48/115;
F21S 48/225; F21S 48/1233; F21S 48/1266; F21S 48/1388; F21S 48/2268;
F21V 13/00; F21V 21/04; F21V 29/004

FIG. 1 is a perspective view of a vehicle lamp showing my new design;

FIG. 2 is a front elevational view thereof;

FIG. 3 is a rear elevational view thereof;

FIG. 4 is a left side elevational view thereof;

FIG. 5 is a right side elevational view thereof;

FIG. 6 is a top plan view thereof; and,

FIG. 7 is a bottom plan view thereof.

The broken lines are included for illustrative purposes only and form no part of the claimed design.

See application file for complete search history.

1 Claim, 6 Drawing Sheets

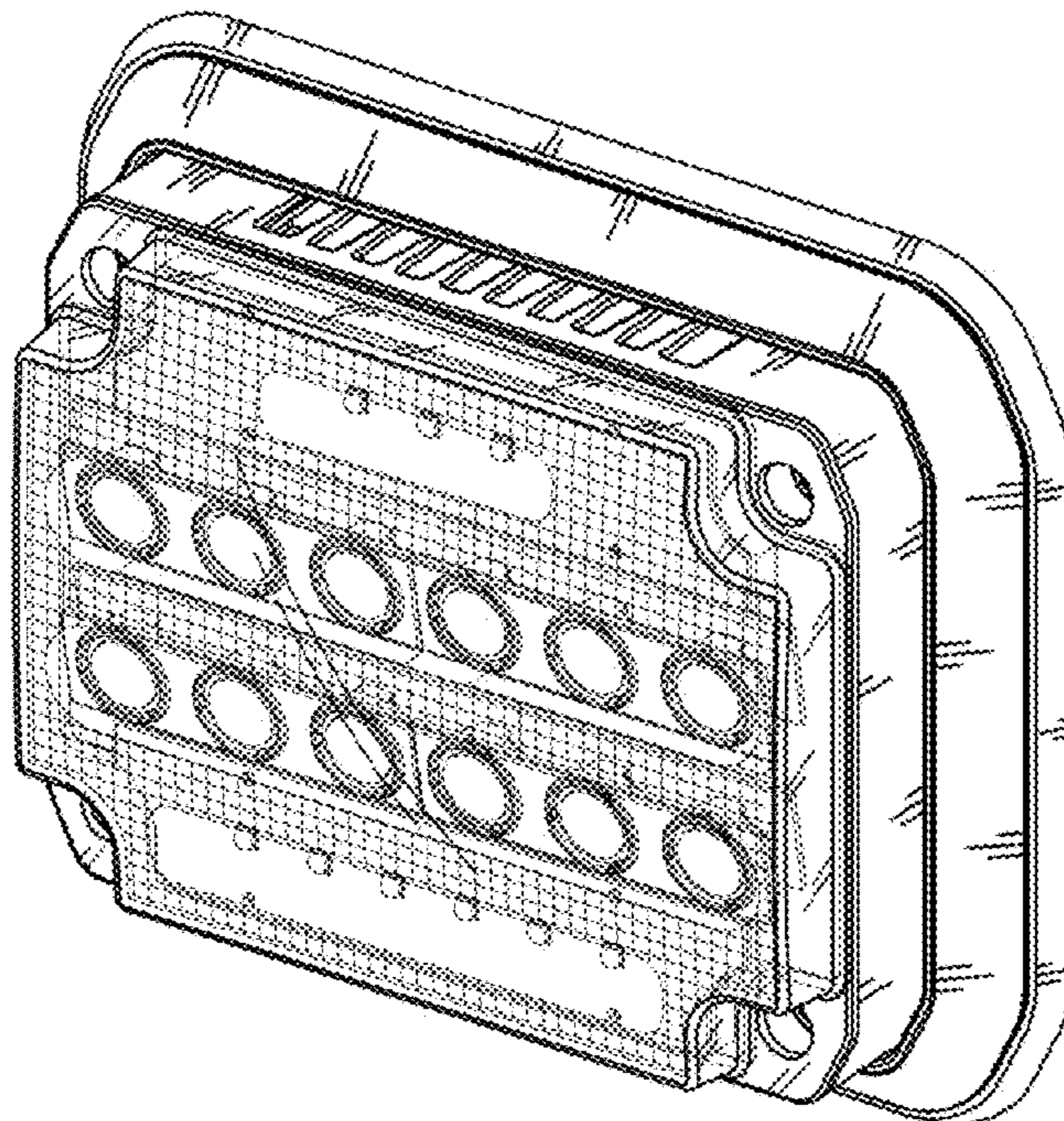


FIG. 1

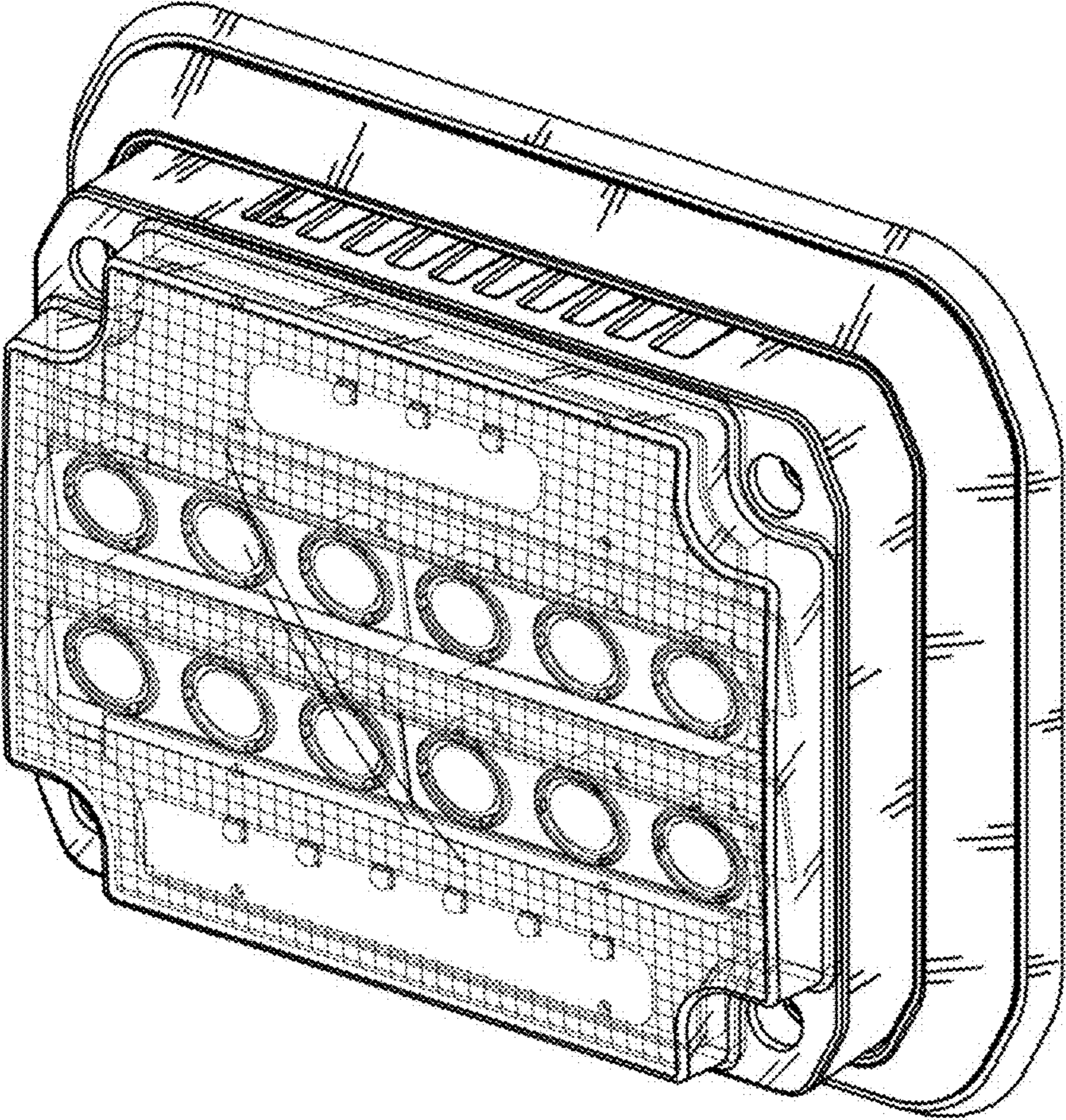


FIG. 2

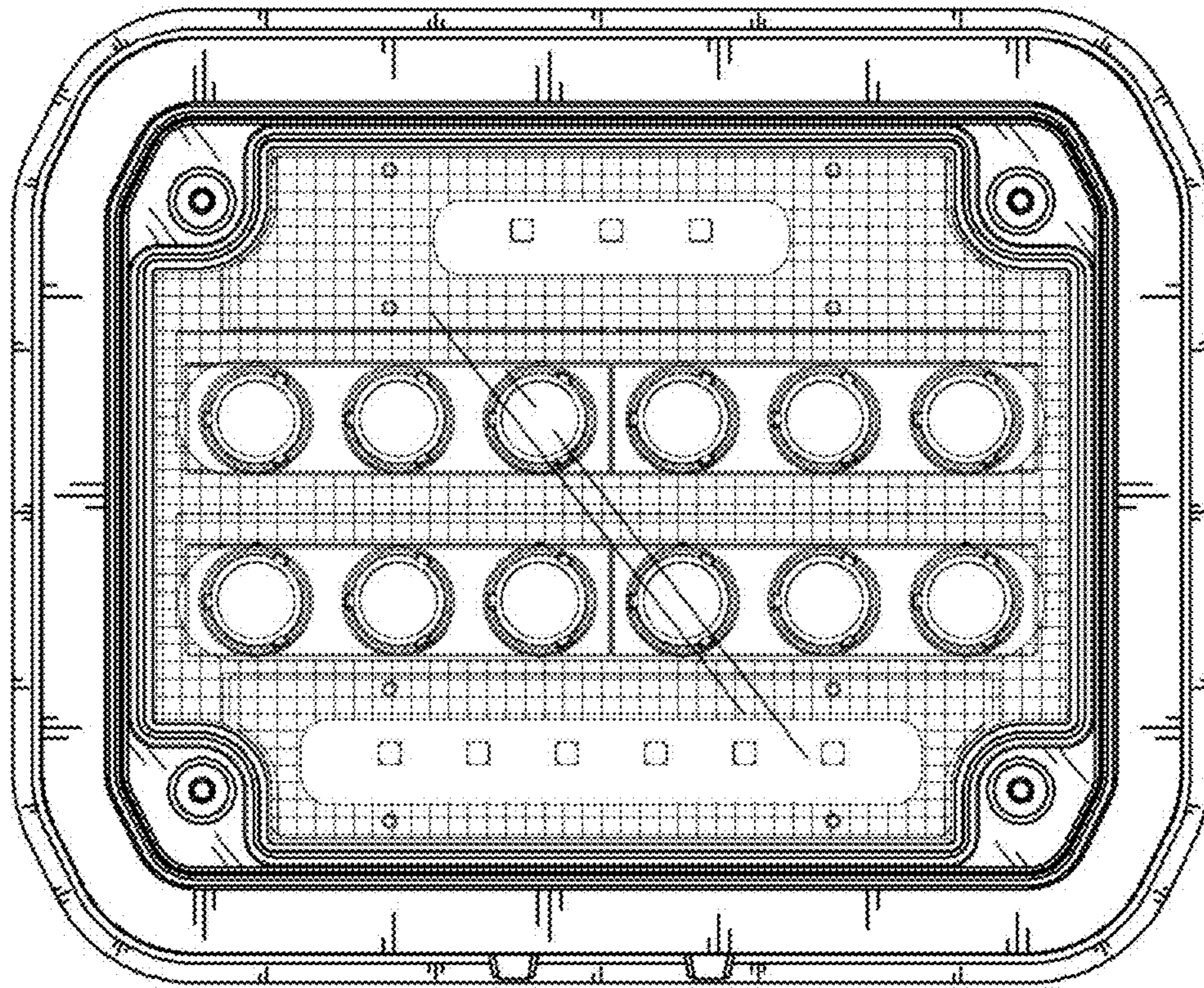


FIG. 3

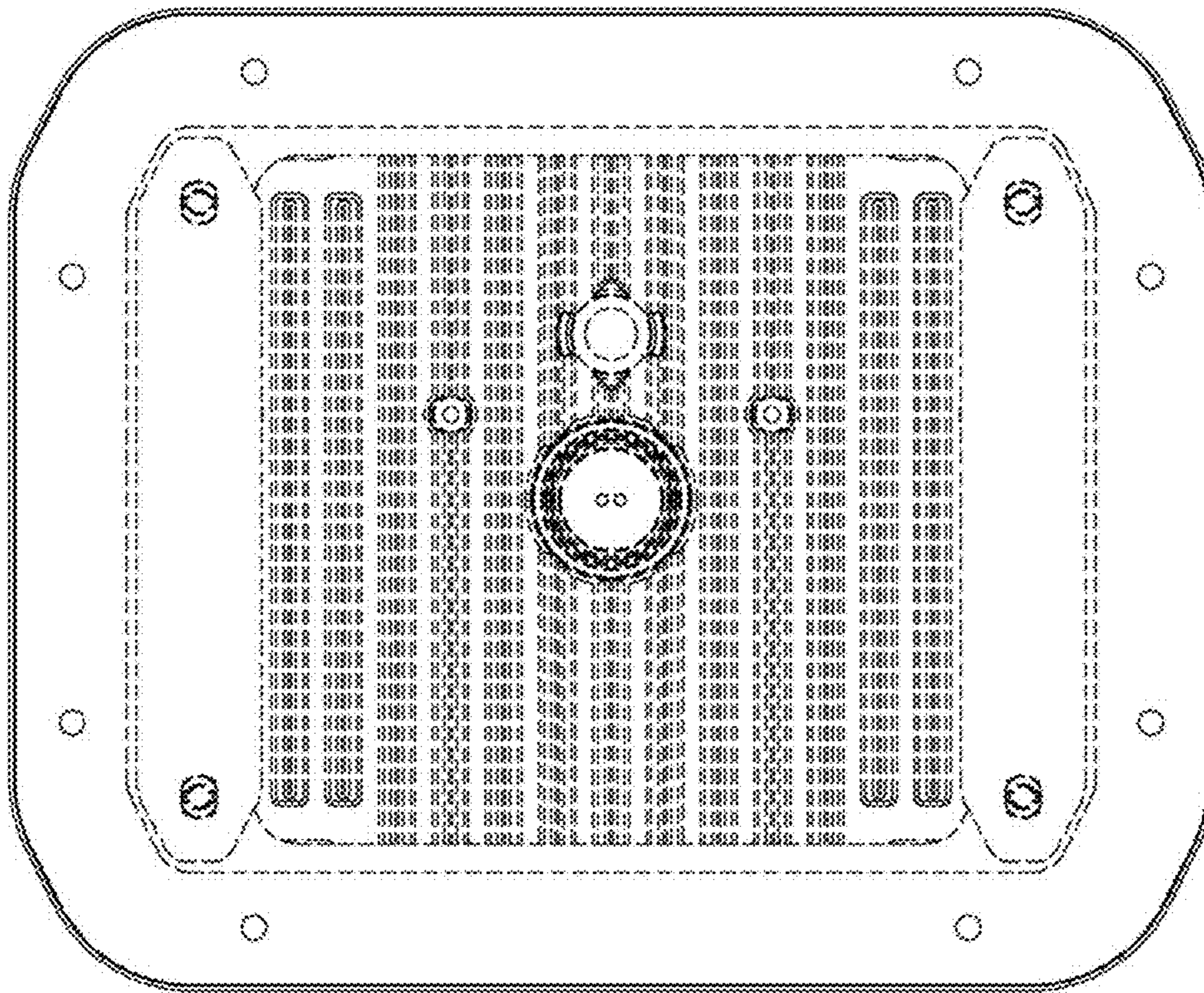


FIG. 4

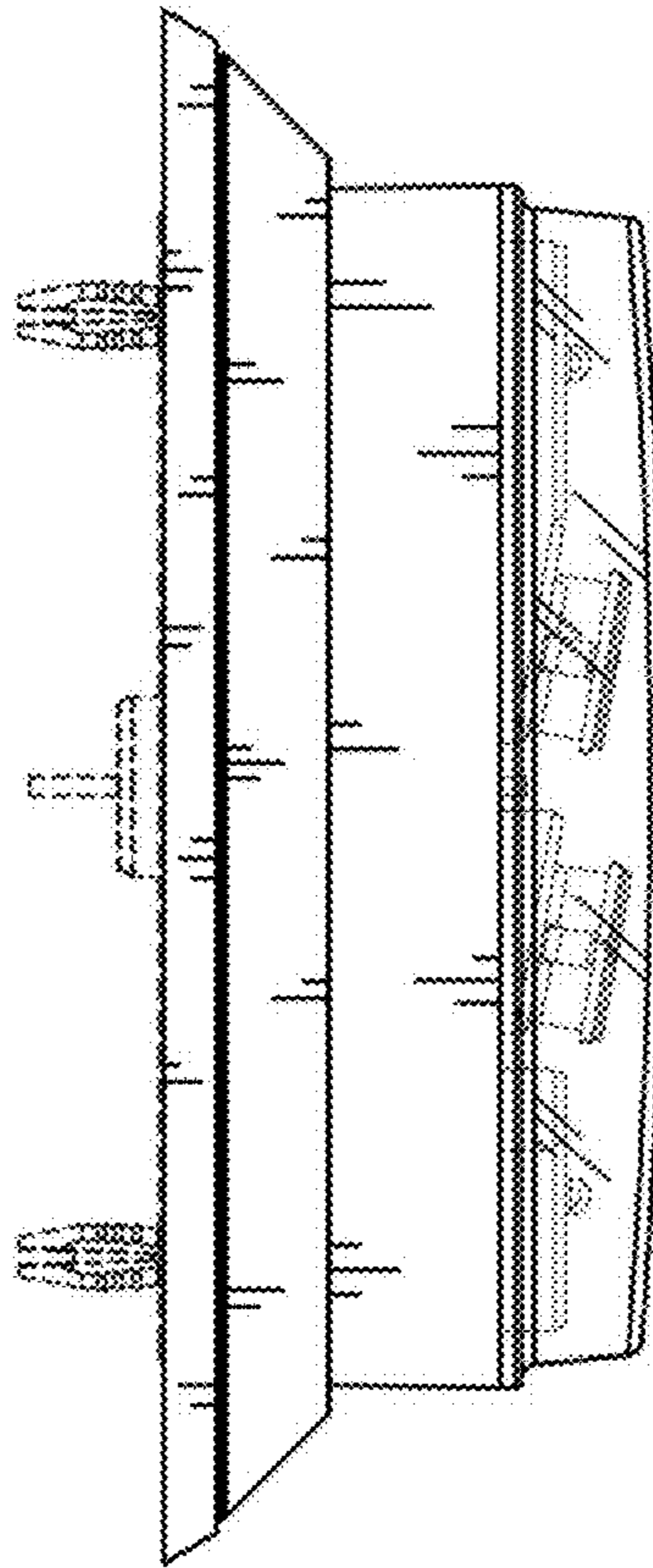


FIG. 5

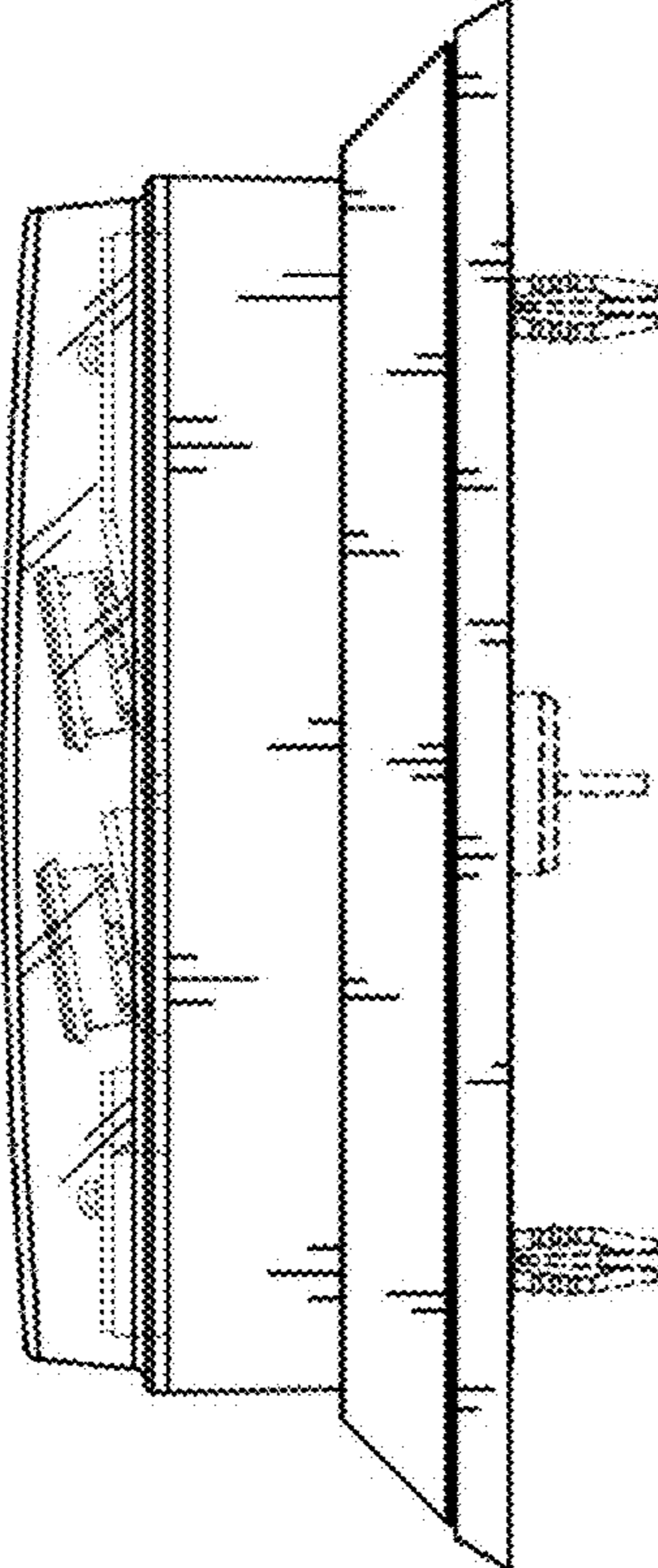


FIG. 6

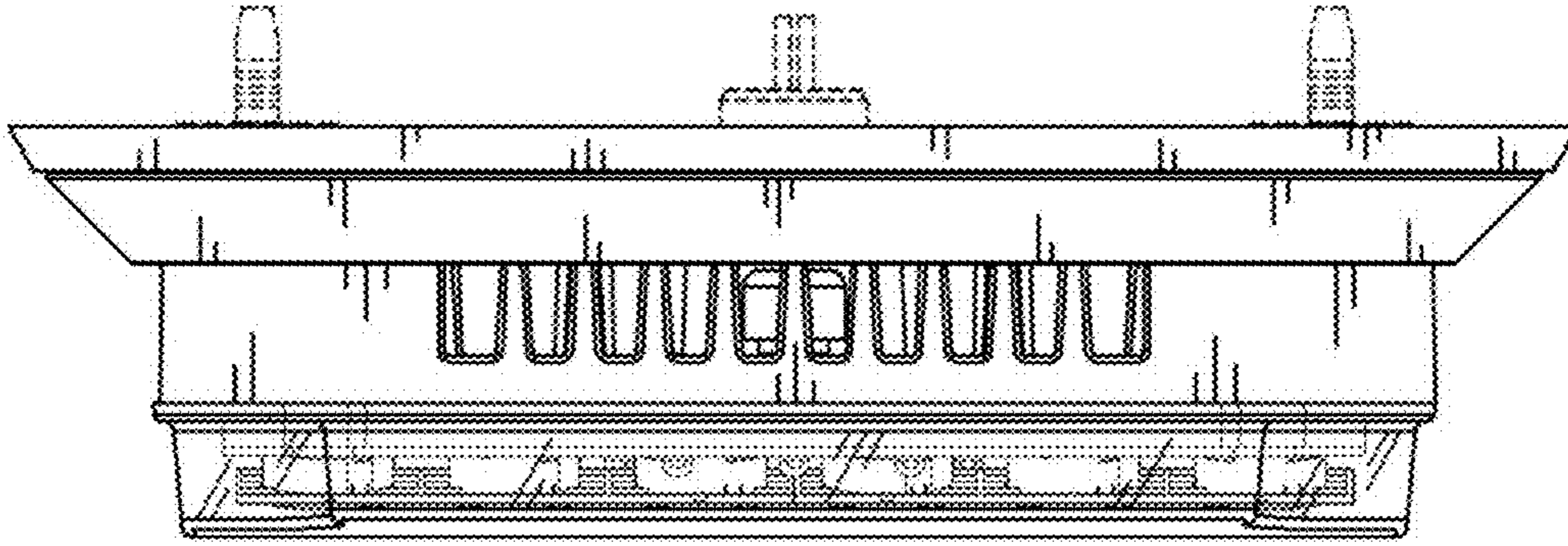


FIG. 7

