



US00D851299S

(12) **United States Design Patent** (10) **Patent No.:** **US D851,299 S**
Woodhouse et al. (45) **Date of Patent:** **** Jun. 11, 2019**

(54) **VEHICLE HEADLIGHT**
(71) Applicant: **Ford Global Technologies, LLC**,
Dearborn, MI (US)
(72) Inventors: **David Woodhouse**, Troy, MI (US);
Earl C. Lucas, Southfield, MI (US);
Solomon H. Song, Farmington Hills,
MI (US); **Viet Nguyen**, Madison
Heights, MI (US)
(73) Assignee: **Ford Global Technologies, LLC**,
Dearborn, MI (US)
(**) Term: **15 Years**
(21) Appl. No.: **29/624,238**
(22) Filed: **Oct. 31, 2017**
(51) **LOC (11) Cl.** **26-06**
(52) **U.S. Cl.**
USPC **D26/28**
(58) **Field of Classification Search**
USPC D12/86, 90-92, 114, 163, 169, 171-173,
D12/181, 190, 196, 197, 199, 400;
D17/1, 222; D26/28-36
CPC .. B62J 6/02; B62J 6/00; B60Q 3/0279; B60Q
3/104; B60Q 3/10408; B60Q 3/10466;
B60Q 3/12653; B60Q 3/128; F21S 48/00;
F21S 48/10; F21S 48/115; F21S 48/225;
F21S 48/1233; F21S 48/1266; F21S
48/1388; F21S 48/2268; F21V 21/04
See application file for complete search history.

(56) **References Cited**
U.S. PATENT DOCUMENTS
D657,482 S * 4/2012 Kong D26/28
D670,417 S * 11/2012 Svensson D26/28
D676,166 S * 2/2013 Lai D26/28
D706,471 S * 6/2014 Lai D26/28

D716,478 S * 10/2014 Loeb D26/28
D718,893 S * 12/2014 Lai D26/28
D720,870 S * 1/2015 Lim D26/28
D721,450 S * 1/2015 Lai D26/28
D742,045 S * 10/2015 Futschik D26/28
D746,495 S * 12/2015 Gorsten Schuenemann .. D26/28
D761,463 S * 7/2016 Lai D26/28
D765,894 S * 9/2016 Lai D26/28
D779,090 S * 2/2017 Giolito D26/28
D796,715 S * 9/2017 Lin D26/28
D802,181 S * 11/2017 Cartabiano D26/28
D814,081 S * 3/2018 Ha D26/28
D819,847 S * 6/2018 Woodhouse D26/28
D833,045 S * 11/2018 Metros D26/28
D835,308 S * 12/2018 Metros D26/28
D837,425 S * 1/2019 Badstuebner D26/28
2014/0192548 A1 * 7/2014 Kracker F21S 41/147
362/538

* cited by examiner

Primary Examiner — Philip S Hyder
Assistant Examiner — Cary M Robinson
(74) *Attorney, Agent, or Firm* — Vichit Chea

(57) **CLAIM**

The ornamental design for a vehicle headlight, as shown and described.

DESCRIPTION

FIG. 1 is a top, front, and left side perspective view a left vehicle headlight, showing our new design;
FIG. 2 is a bottom, front, and left side perspective view thereof;
FIG. 3 is a top, rear, and left side perspective view thereof;
FIG. 4 is a front elevational view thereof;
FIG. 5 is a rear elevational view thereof;
FIG. 6 is a left side elevational view thereof;
FIG. 7 is a right side elevational view thereof;
FIG. 8 is a top plan view thereof; and,
FIG. 9 is a bottom plan view thereof.

1 Claim, 9 Drawing Sheets

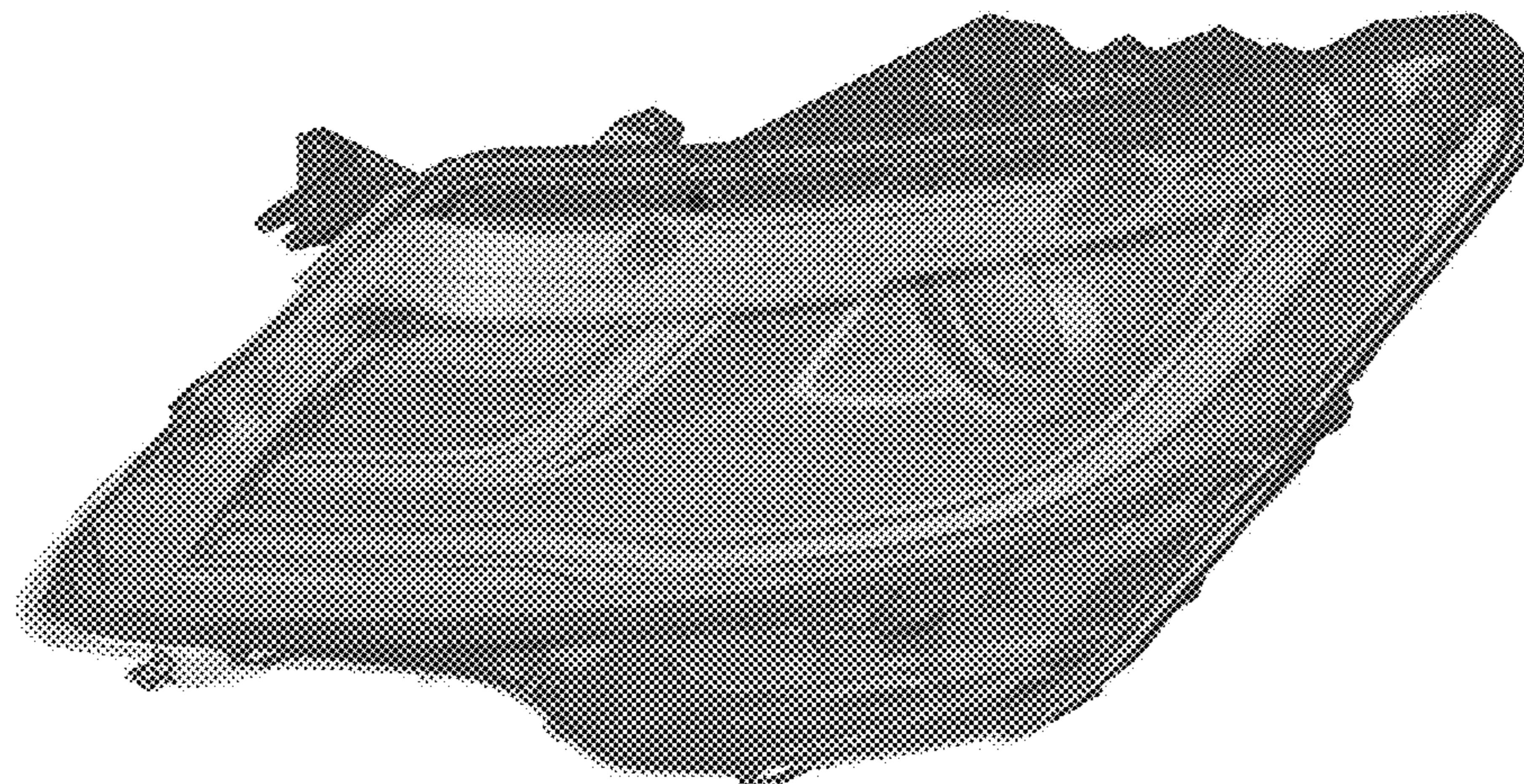
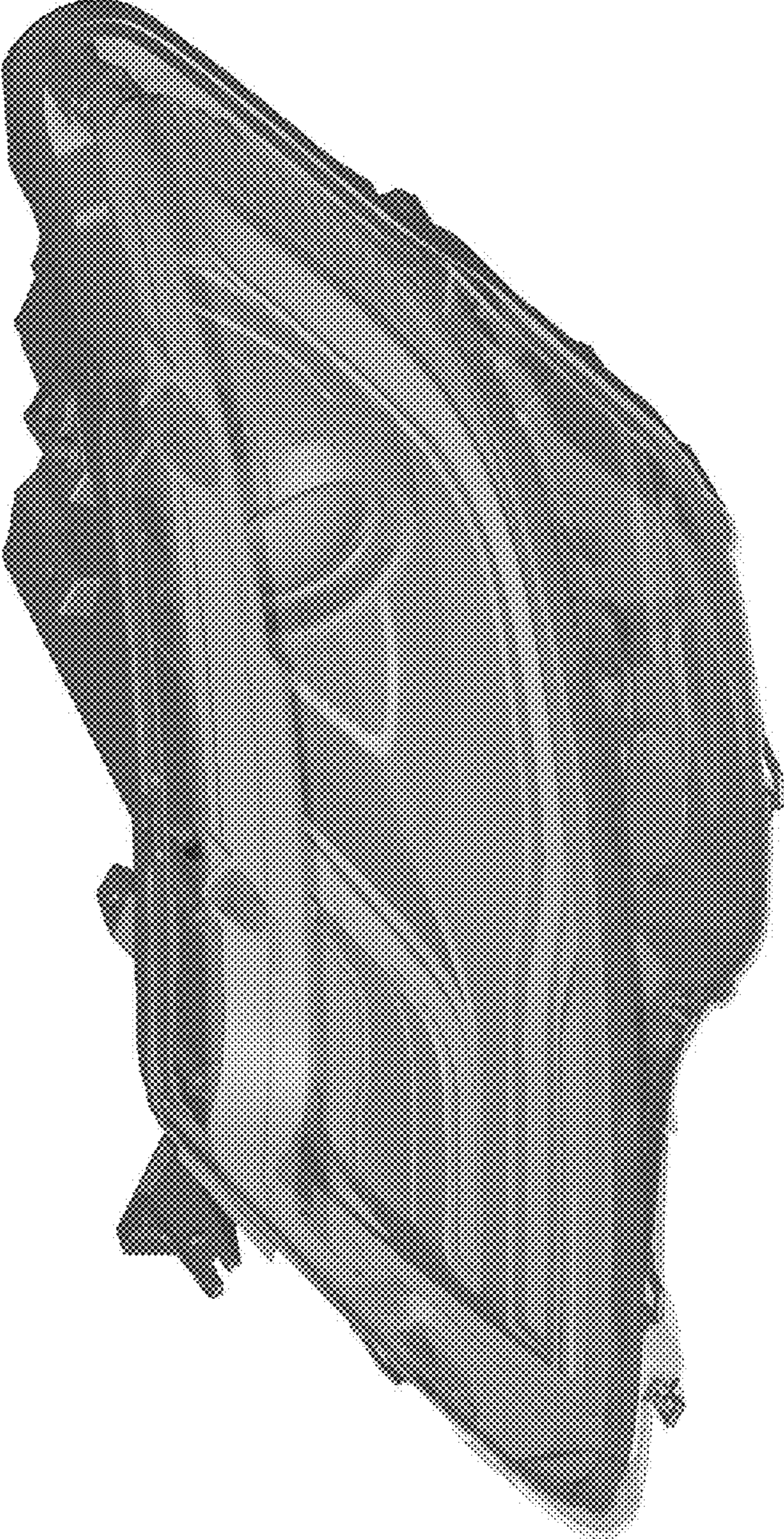


Figure 1



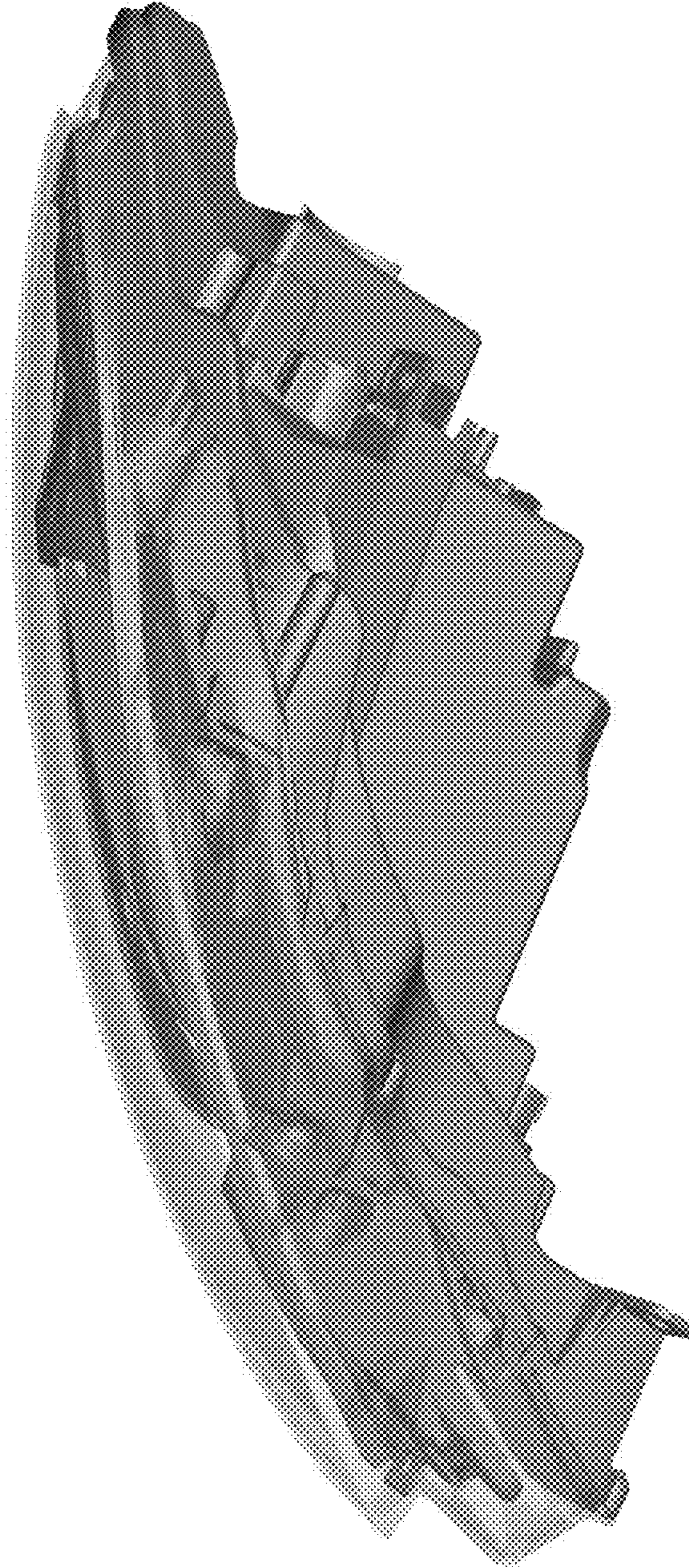
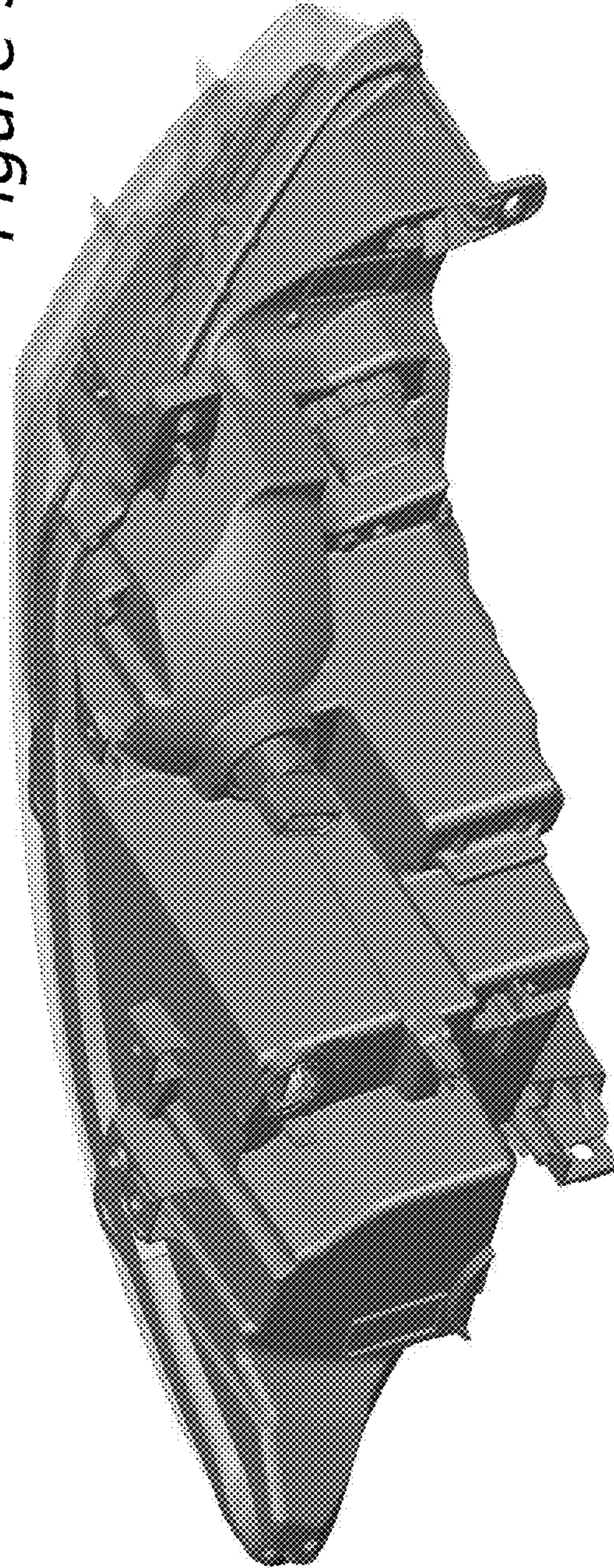


Figure 2

Figure 3



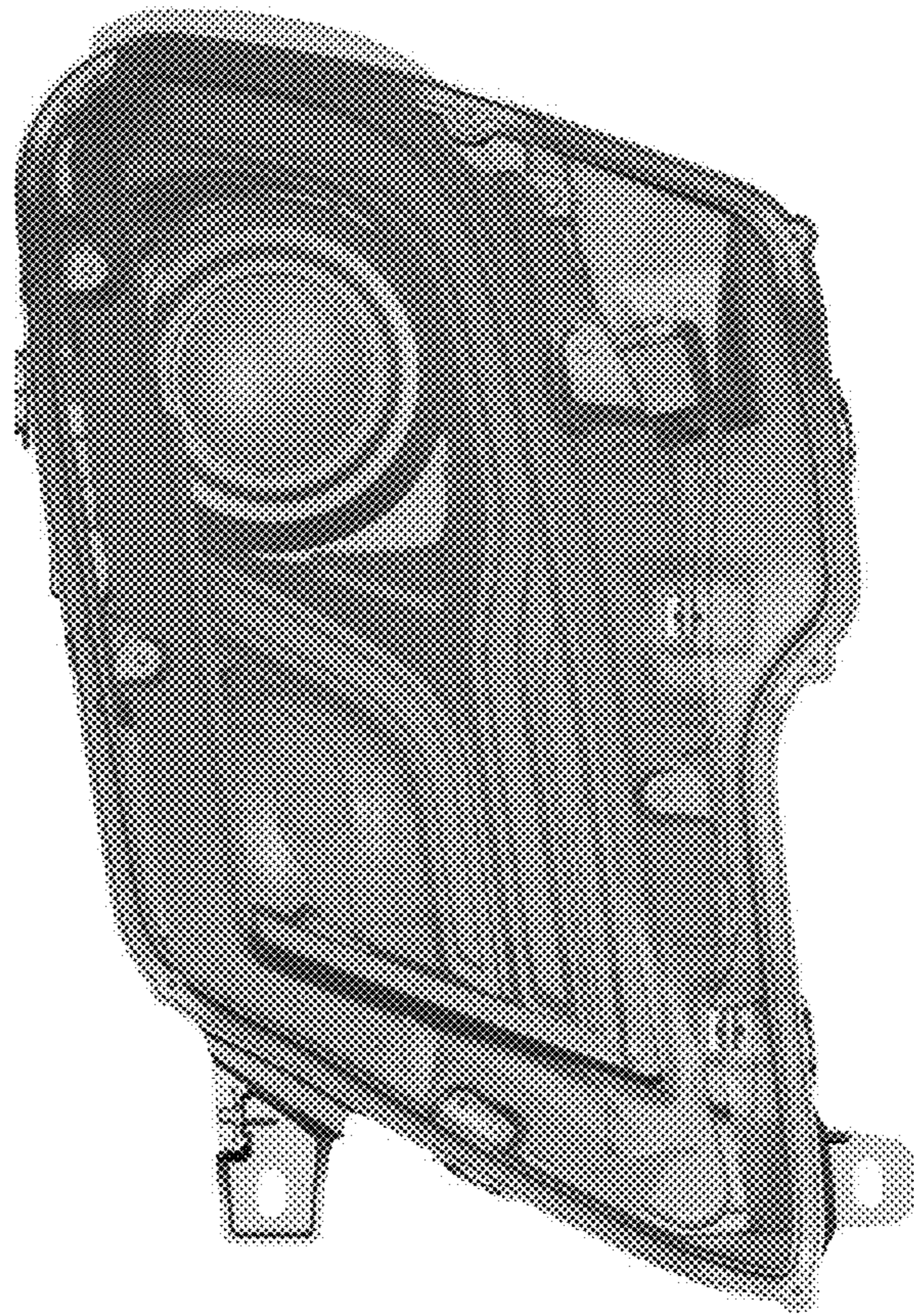


Figure 4

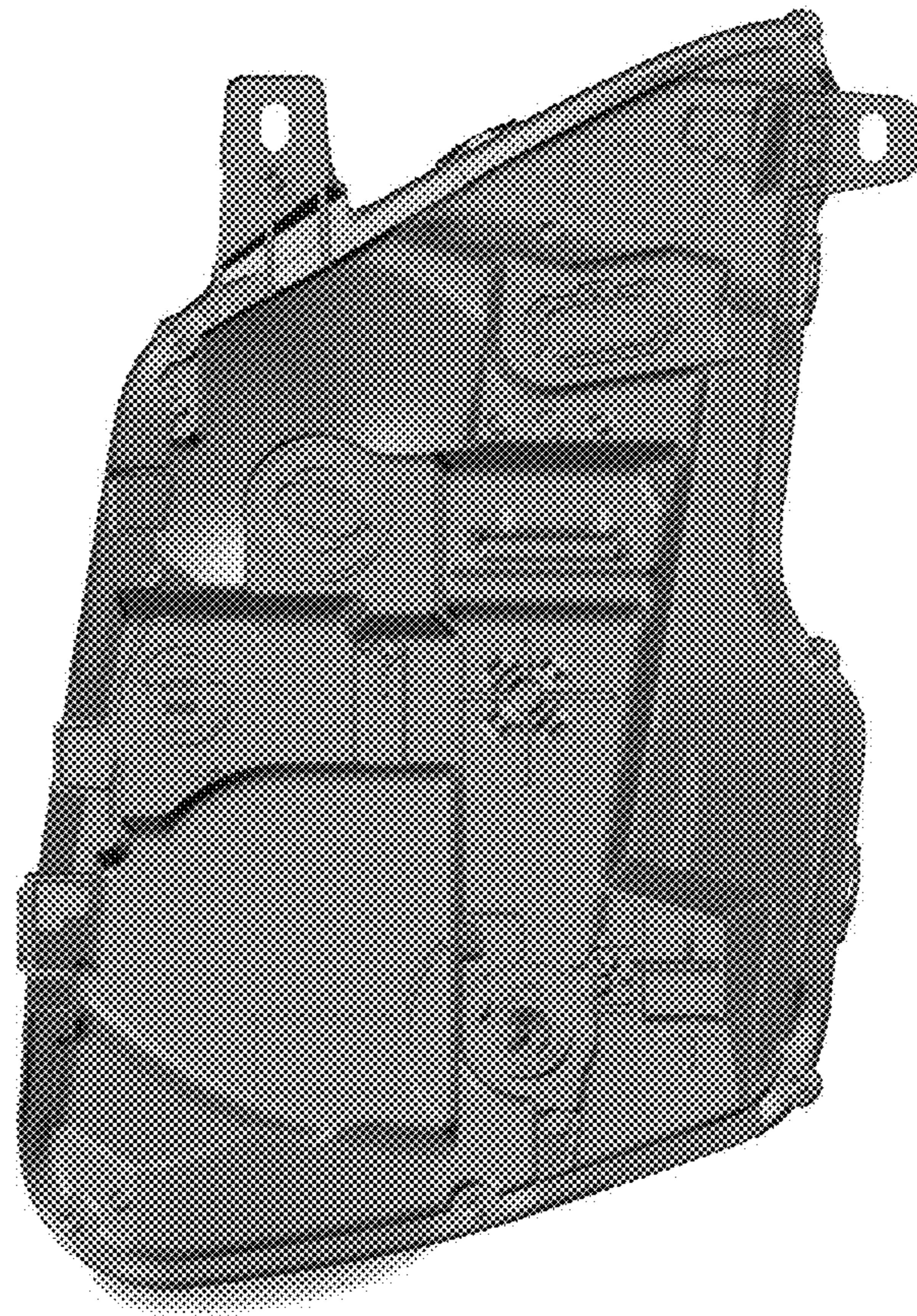


Figure 5

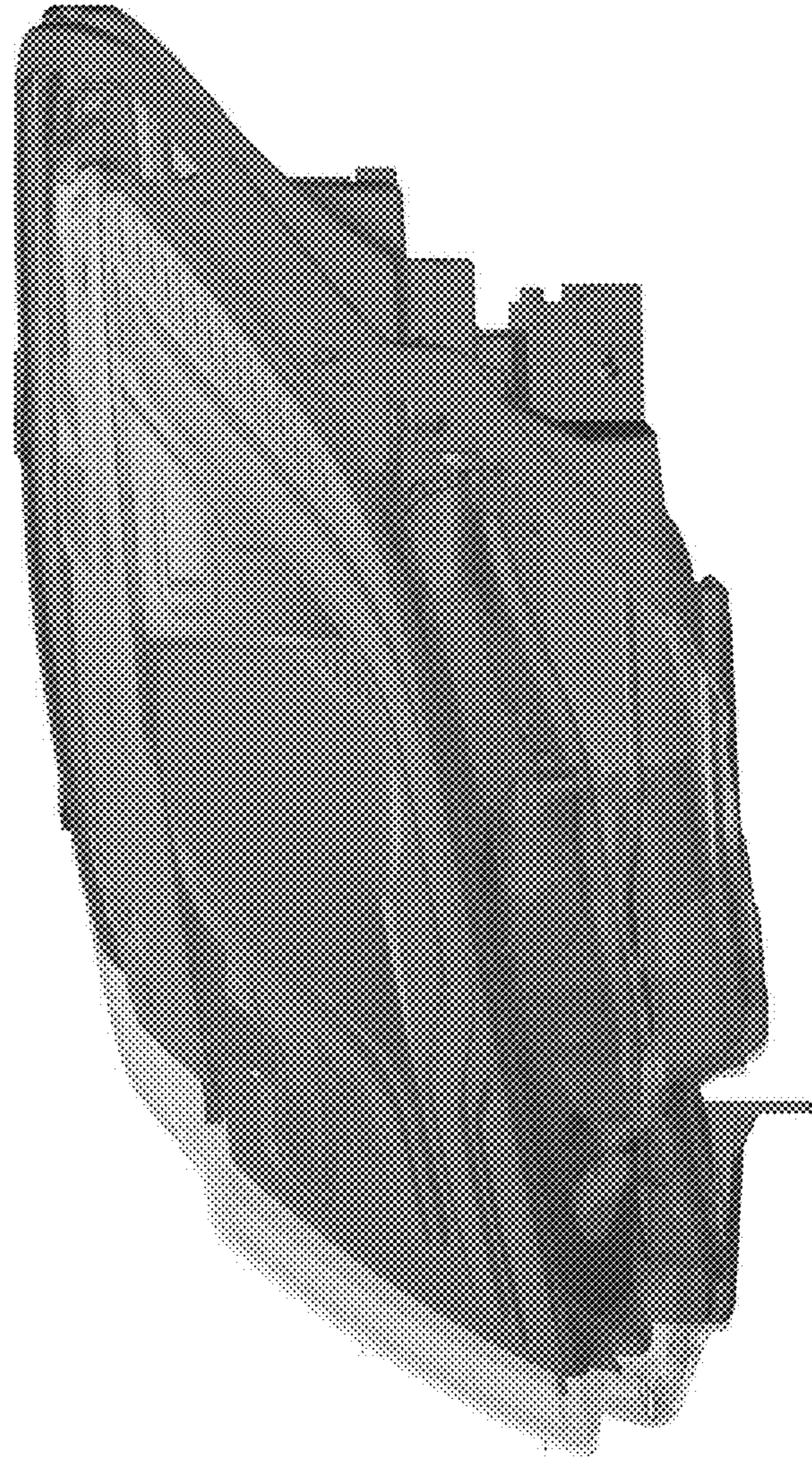


Figure 6

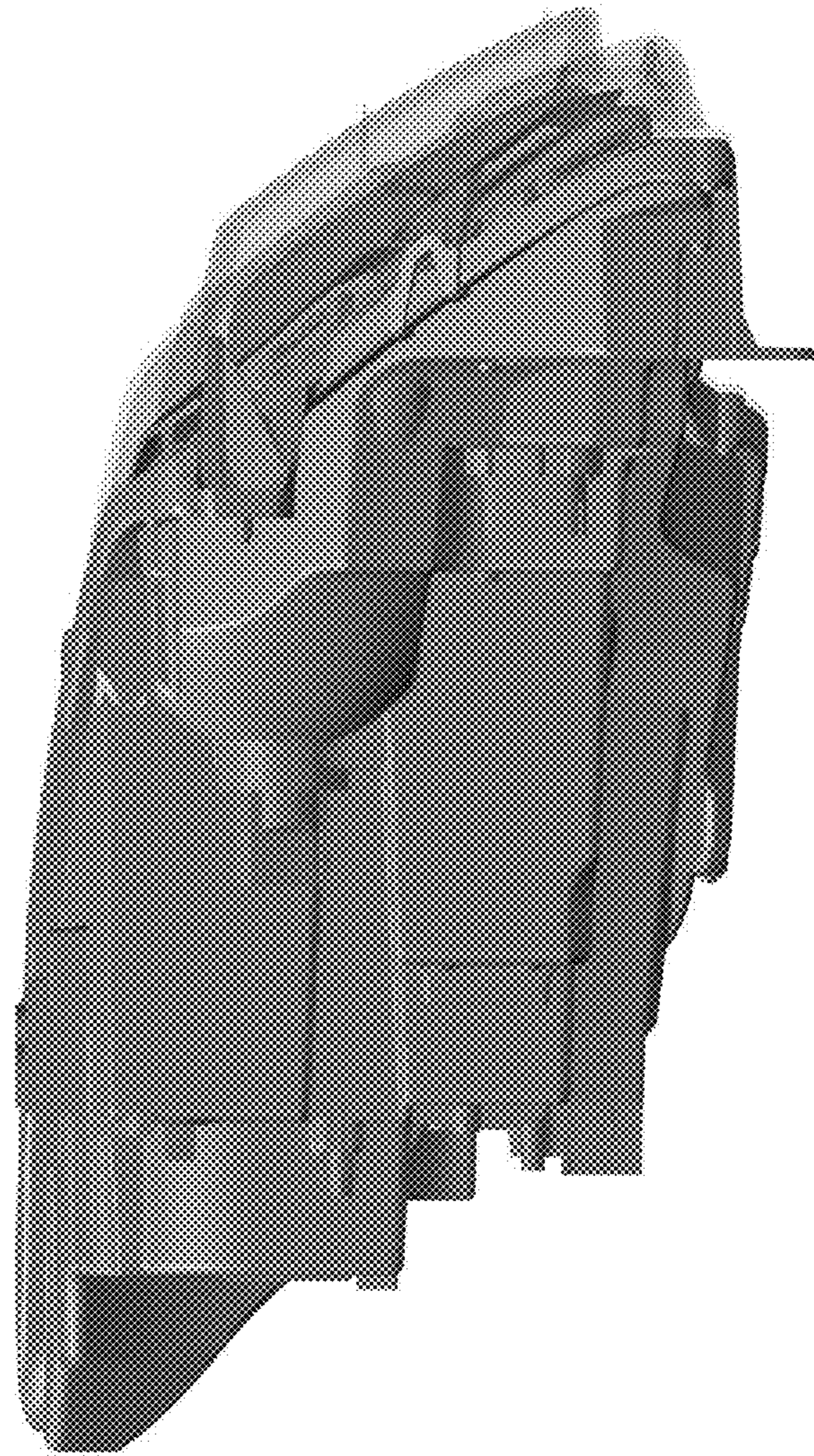


Figure 7

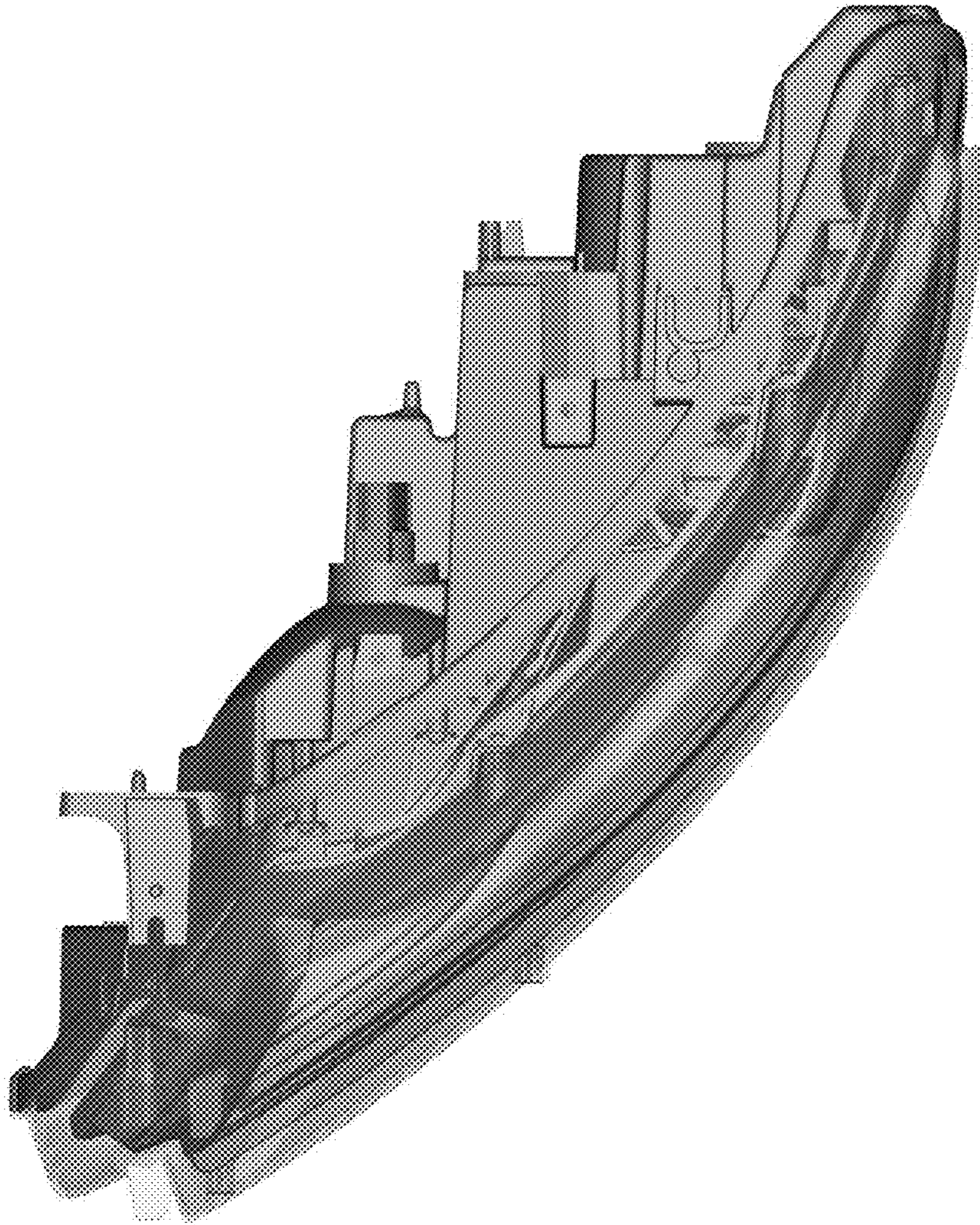


Figure 8

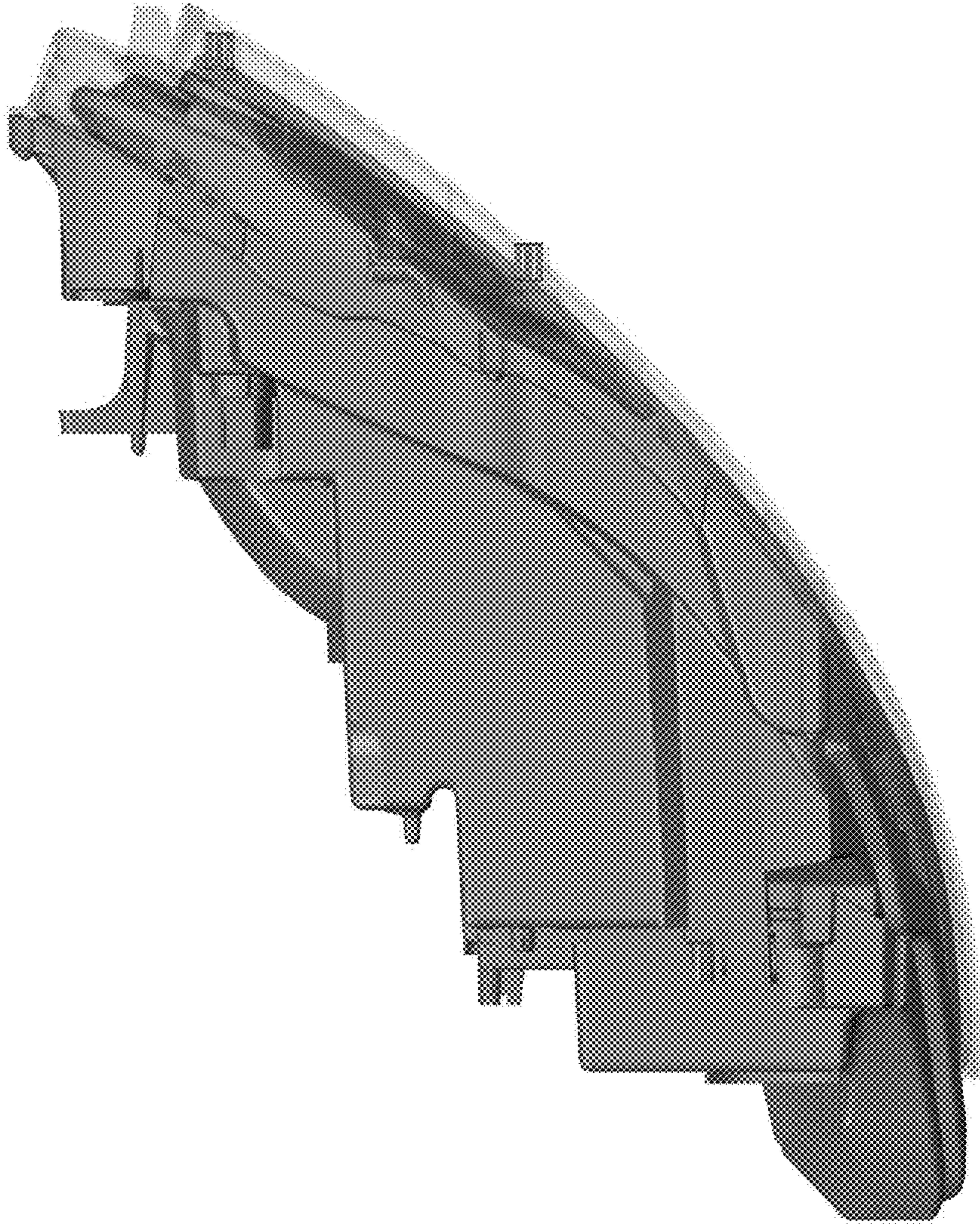


Figure 9