



US00D851298S

(12) **United States Design Patent**
Hewitt

(10) **Patent No.:** **US D851,298 S**

(45) **Date of Patent:** **** Jun. 11, 2019**

(54) **HEADLAMP ARRAY**

(71) Applicant: **Courtney P. Hewitt**, Charlestown, MA (US)

(72) Inventor: **Courtney P. Hewitt**, Charlestown, MA (US)

(73) Assignee: **OSRAM SYLVANIA Inc.**, Wilmington, MA (US)

(**) Term: **15 Years**

(21) Appl. No.: **29/619,812**

(22) Filed: **Oct. 2, 2017**

(51) **LOC (11) Cl.** **26-06**

(52) **U.S. Cl.**
USPC **D26/28**

(58) **Field of Classification Search**
USPC D12/86, 90-92, 114, 163, 169, 171-173, D12/181, 190, 196, 197, 199, 400; D17/1, 222; D26/28-36, 118, 122, 138
CPC .. B62J 6/02; B62J 6/00; B60Q 3/0279; B60Q 3/104; B60Q 3/10408; B60Q 3/10466; B60Q 3/12653; B60Q 3/128; F21S 48/00; F21S 48/10; F21S 48/115; F21S 48/225; F21S 48/1233; F21S 48/1266; F21S 48/1388; F21S 48/2268; F21V 21/04
See application file for complete search history.

(56) **References Cited**

U.S. PATENT DOCUMENTS

D627,921 S * 11/2010 Chen D26/138
D671,674 S * 11/2012 Cho D26/118
D676,990 S * 2/2013 Adams D26/31

D761,989 S * 7/2016 Dickinson D26/63
D821,636 S * 6/2018 Hewitt D26/122
D836,230 S * 12/2018 Guercio D26/63

OTHER PUBLICATIONS

Mig and Tig | Lighted Red Arrow W/White Lights, posted on Dec. 8, 2012, © 2019 MigandTig.com [online], [site visited Mar. 4, 2019]. Available from Internet, <URL: http://www.migandtig.com/Lighted-Red-Arrow-WWhite-Lights-40L-FINAL-SALE-NO-RETURNS_p_4101.html/>.*

* cited by examiner

Primary Examiner — Philip S Hyder

Assistant Examiner — Cary M Robinson

(74) *Attorney, Agent, or Firm* — Edward S. Podszus

(57) **CLAIM**

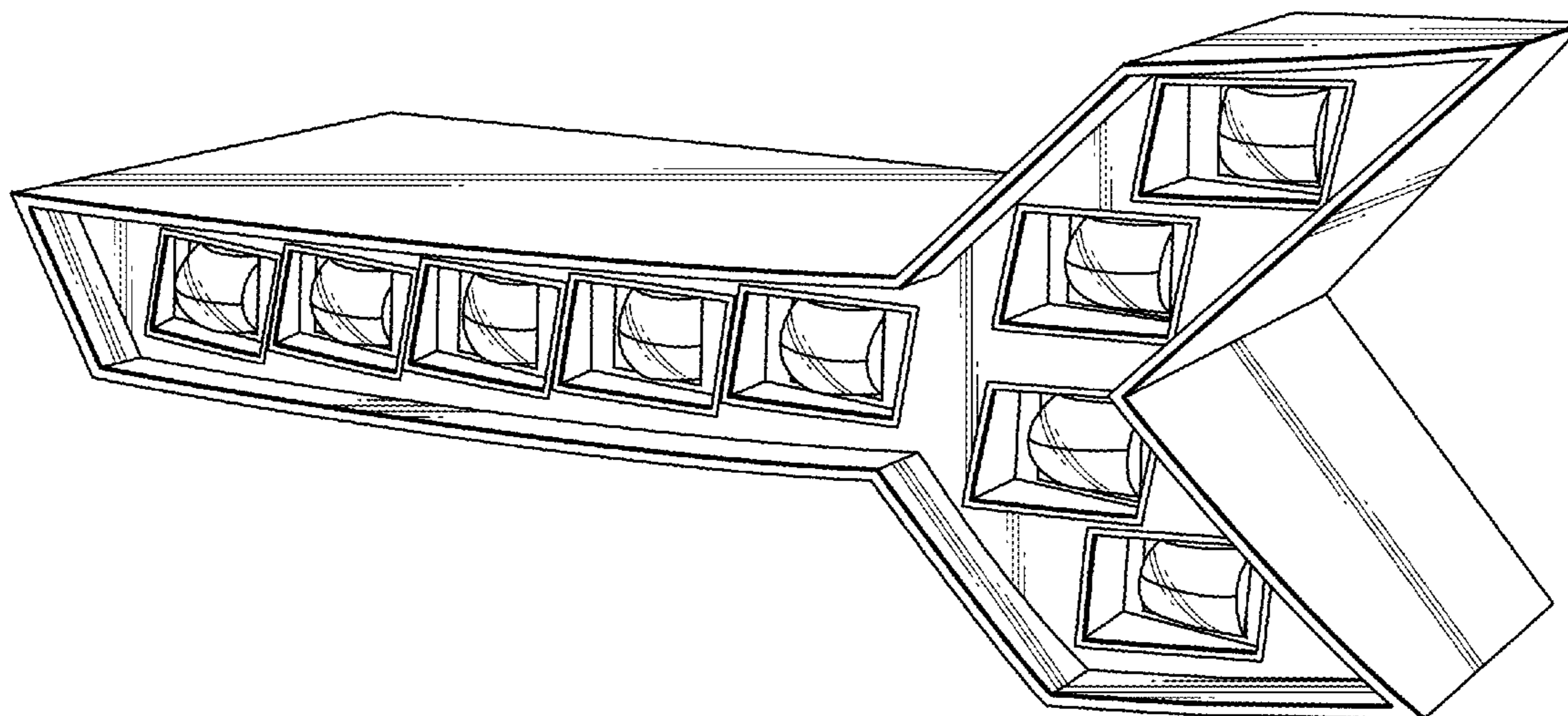
The ornamental design for a headlamp array, as shown and described.

DESCRIPTION

FIG. 1 is a perspective view of the new design for a headlamp array as seen from the front, top; FIG. 2 is a front plan view thereof; FIG. 3 is a top plan view thereof; FIG. 4 is a right side elevational view thereof; FIG. 5 is a left side elevational view thereof; FIG. 6 is a bottom plan view thereof; and, FIG. 7 is a rear plan view thereof.

The broken line disclosure illustrates portions of the headlamp array in which the design is embodied that form no part of the claimed design.

1 Claim, 6 Drawing Sheets



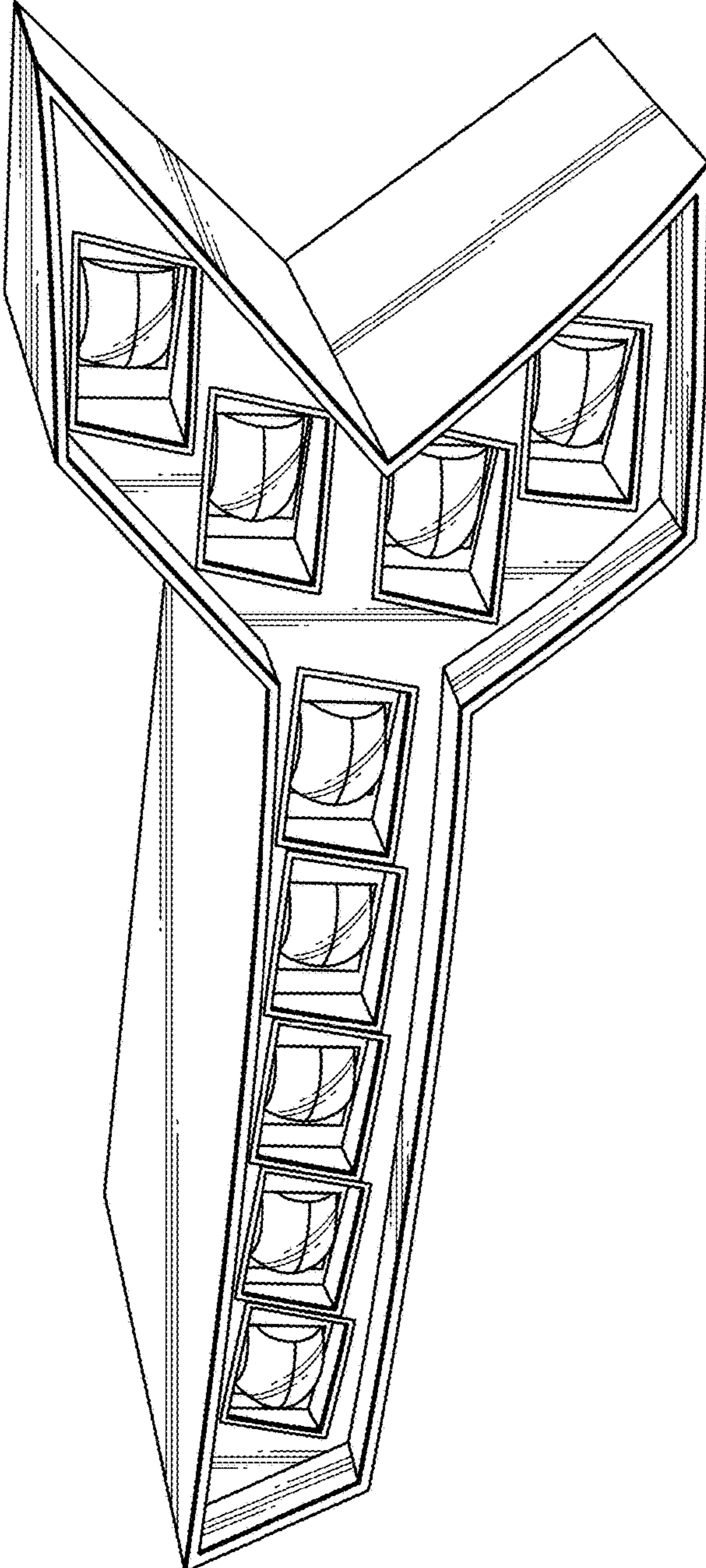


FIG. 1

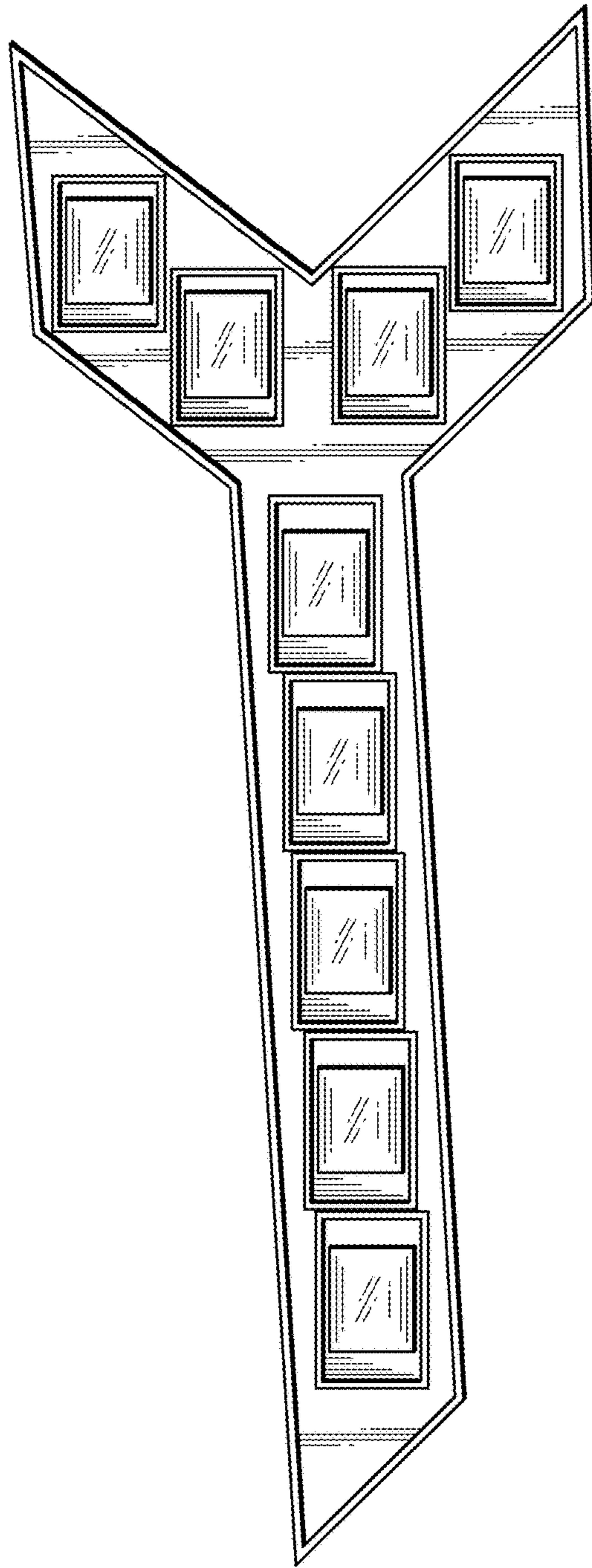


FIG. 2

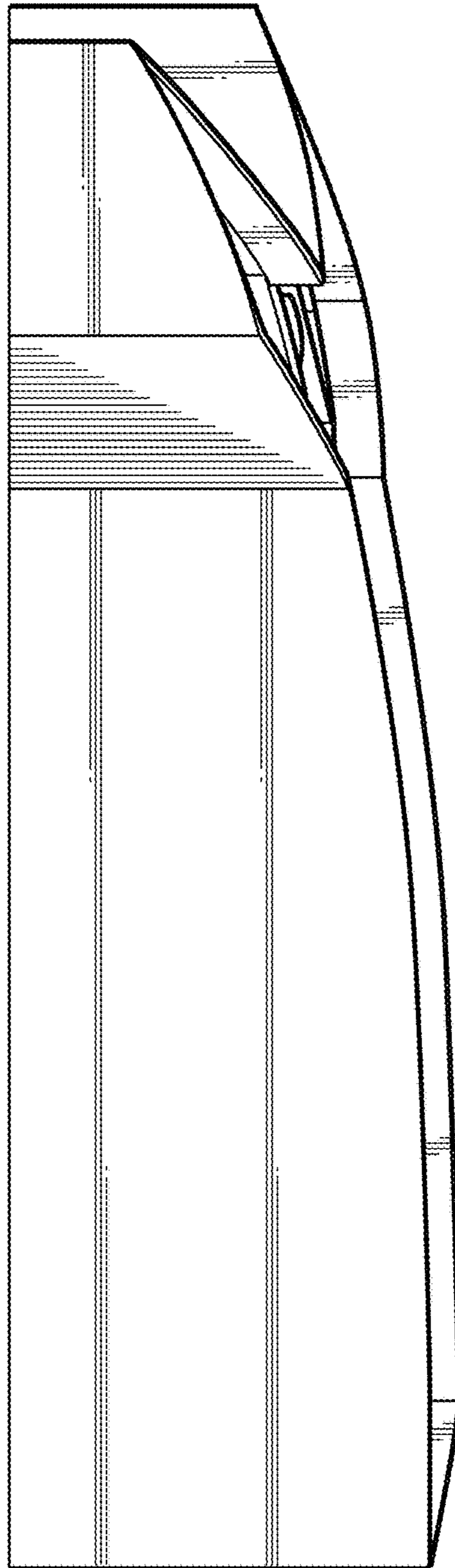


FIG. 3

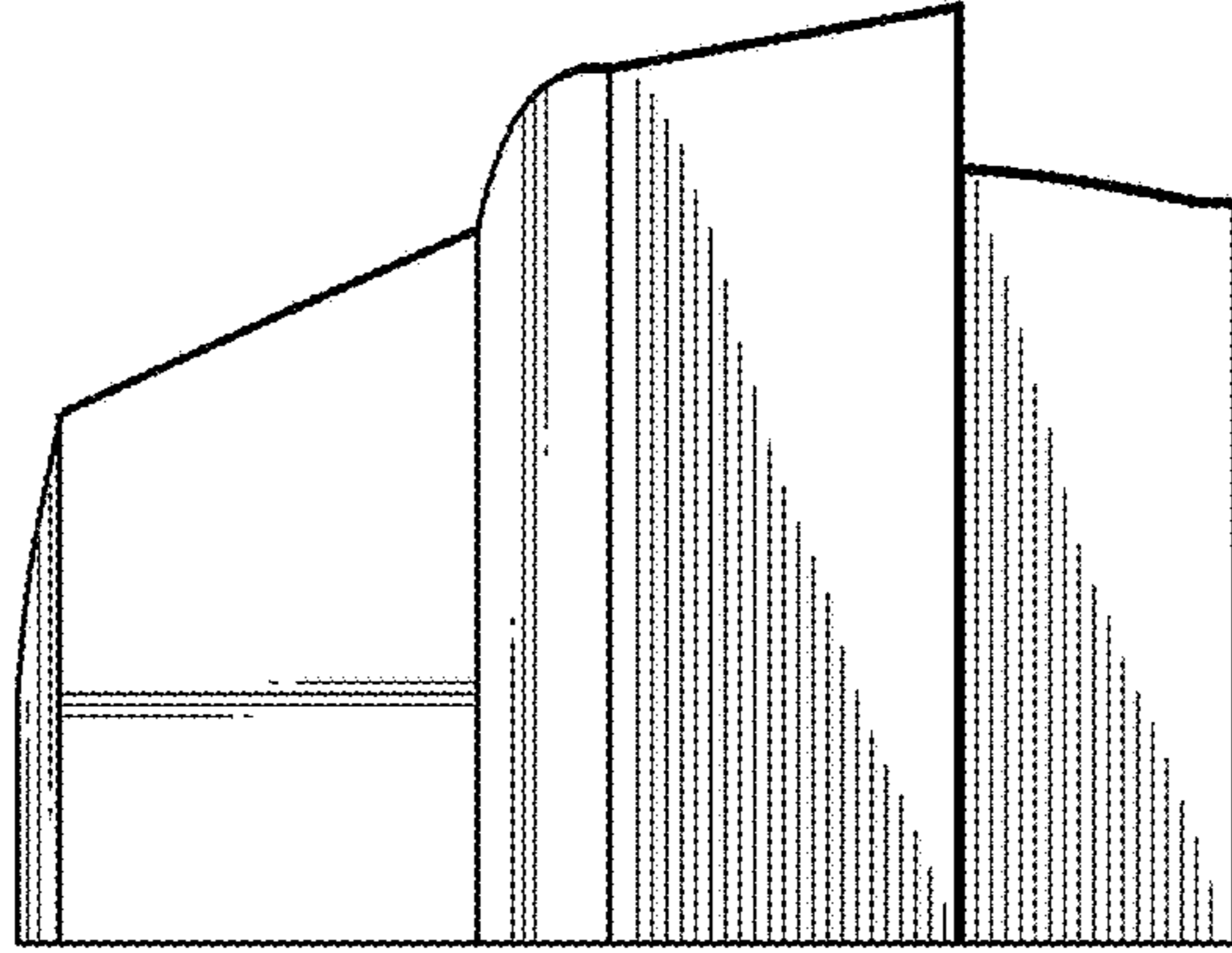


FIG. 5

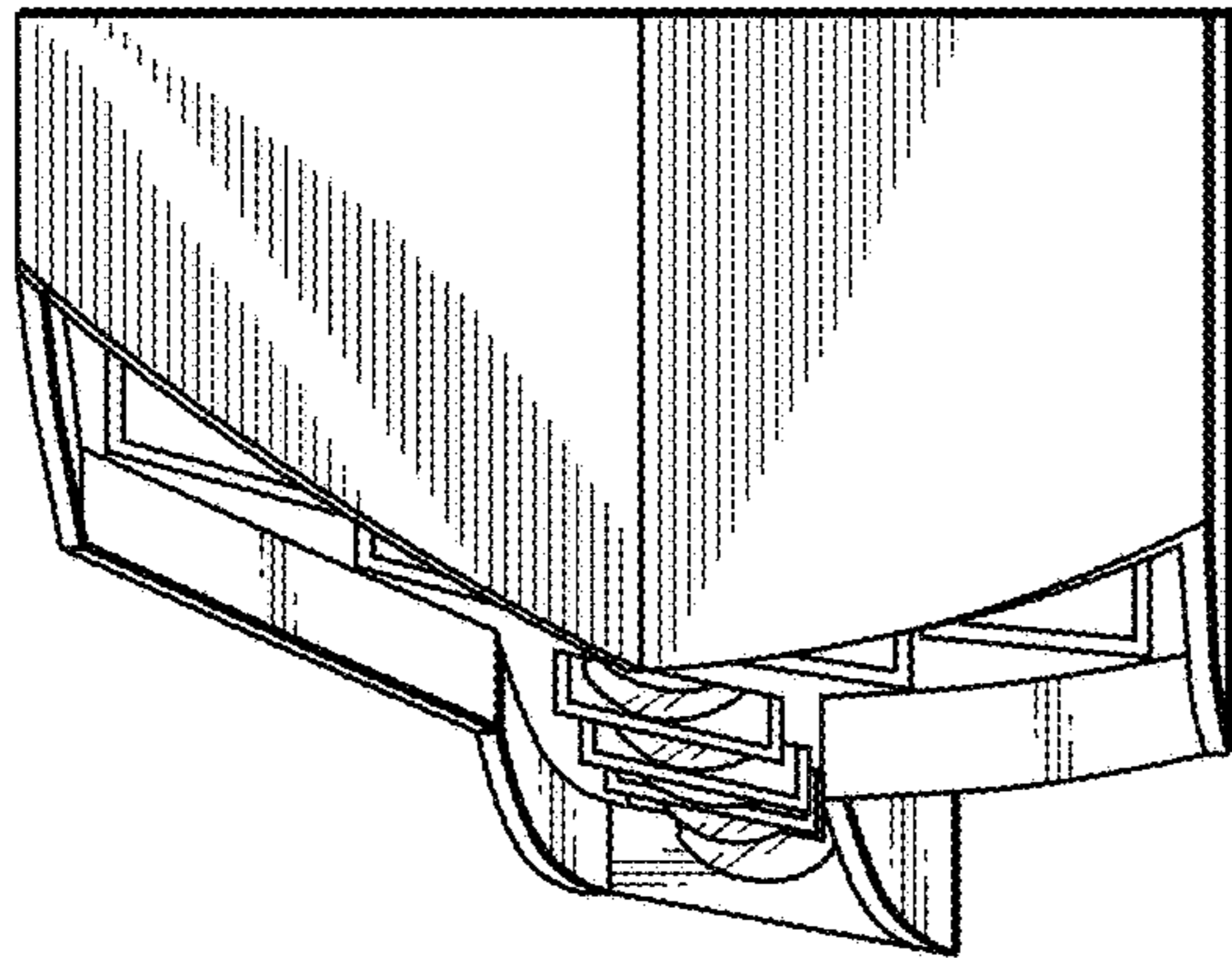


FIG. 4

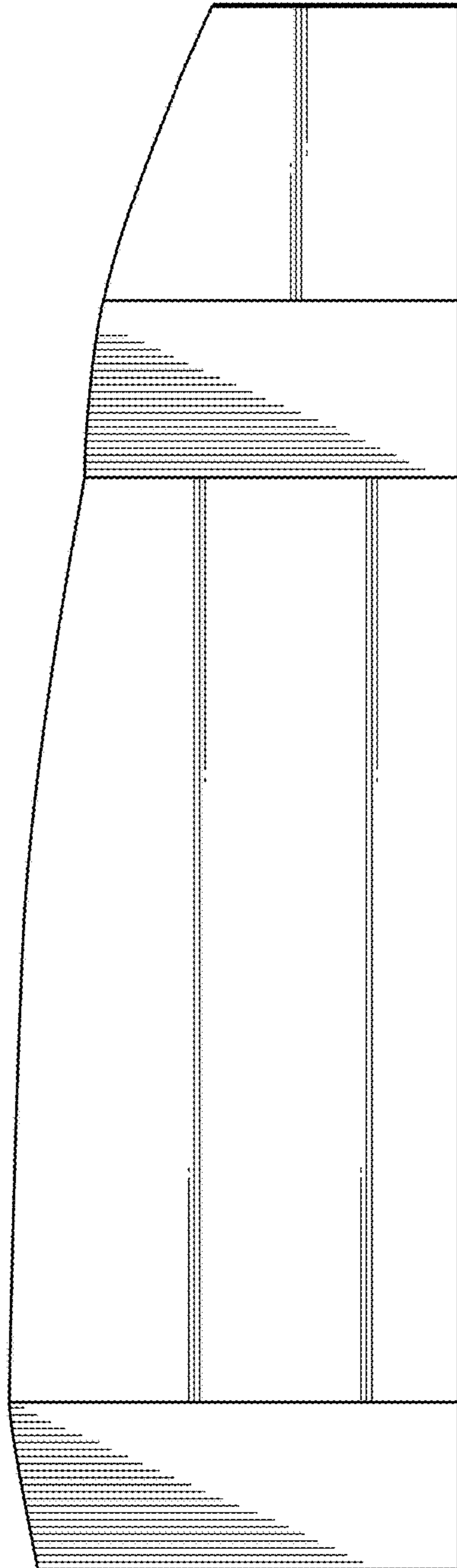


FIG. 6

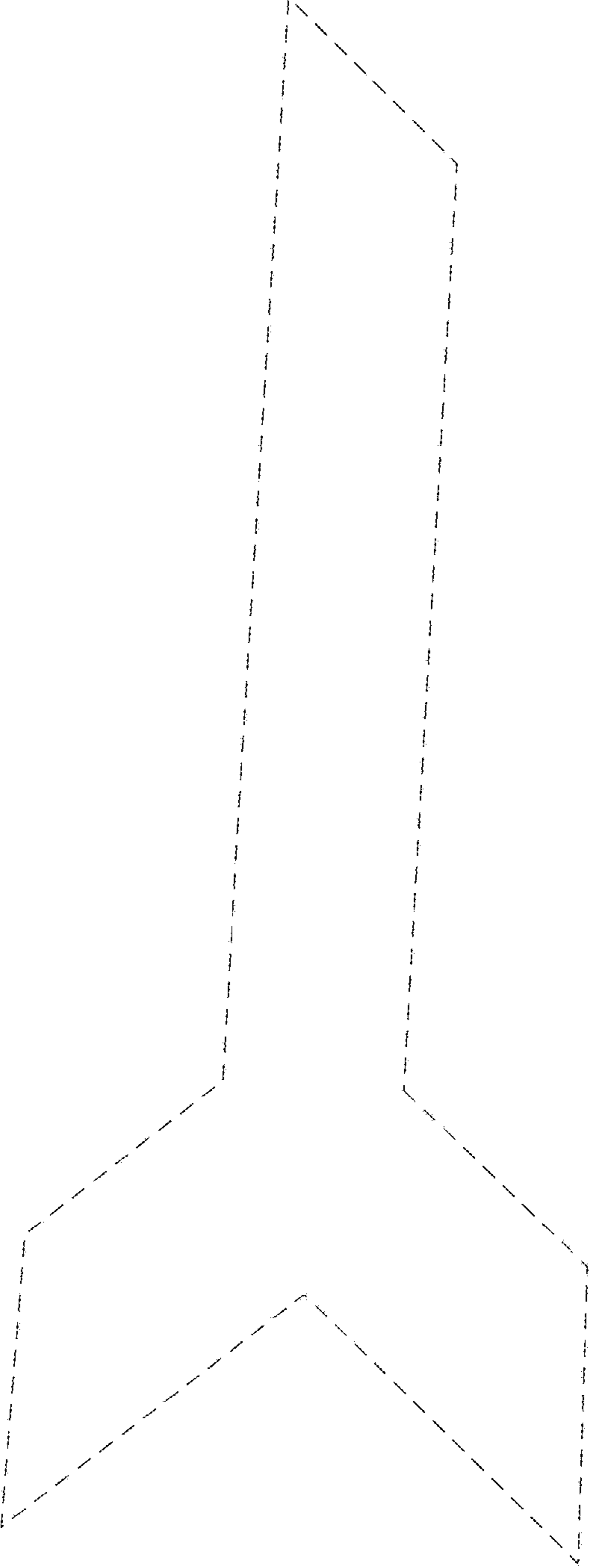


FIG. 7