



US00D851297S

(12) **United States Design Patent** (10) **Patent No.:** **US D851,297 S**
Dennis et al. (45) **Date of Patent:** **** Jun. 11, 2019**

(54) **LIGHTING DEVICE**

(71) Applicant: **Lightforce Australia Pty Ltd.,**
Hindmarsh (AU)

(72) Inventors: **Raymond L. Dennis, Adelaide (AU);**
Robert T. Dall, Adelaide (AU)

(73) Assignee: **Lightforce Australia Pty Ltd.,**
Hindmarsh (AU)

(**) Term: **15 Years**

(21) Appl. No.: **29/617,470**

(22) Filed: **Sep. 14, 2017**

(51) **LOC (11) Cl.** **26-06**

(52) **U.S. Cl.**
USPC **D26/28; D26/63**

(58) **Field of Classification Search**
USPC D26/24, 28, 63, 66, 67, 74, 118;
D14/371

CPC F21V 21/30; F21V 29/74; F21V 29/763;
F21V 5/045; F21V 15/01; F21V 23/007;
F21V 29/76; F21V 5/048; F21Y 2115/10;
F21S 45/47

See application file for complete search history.

(56) **References Cited**

U.S. PATENT DOCUMENTS

D190,922 S *	7/1961	Anthony	D26/24
4,527,224 A *	7/1985	Sangiamo	F16M 11/08
				362/269
D283,925 S *	5/1986	Sangiamo	D26/24
D300,864 S *	4/1989	Titmarsh	D26/24
D319,891 S *	9/1991	Giese	D26/24
5,086,379 A *	2/1992	Denison	F21S 8/081
				248/289.11
D355,502 S *	2/1995	Liao	D26/63
D550,880 S *	9/2007	Korpi	D26/63
D551,372 S *	9/2007	Korpi	D26/63
D564,688 S *	3/2008	Korpi	D26/63

D564,689 S *	3/2008	Korpi	D26/63
D573,285 S *	7/2008	Zettl	D26/63
D606,691 S *	12/2009	Lindholm	D26/63
D642,717 S *	8/2011	Lindholm	D26/63
D642,718 S *	8/2011	Lindholm	D26/63
D642,719 S *	8/2011	Lindholm	D26/63
D648,479 S *	11/2011	Herman	D26/118
D693,509 S *	11/2013	Hosick	D26/63
D697,241 S *	1/2014	Chen	D26/28
D698,059 S *	1/2014	Korpi	D26/63

(Continued)

OTHER PUBLICATIONS

“YouTube—Jeep Wrangler—Lightforce DIY Driving Light Installation—Striker LEDs.” Found online Jan. 2, 2019 at www.youtube.com. Video published Apr. 30, 2018. Retrieved from URL: <https://www.youtube.com/watch?v=hEjsZgD1Qf0> (Year: 2018).*

(Continued)

Primary Examiner — Garth Rademaker
Assistant Examiner — Katelin G Kloberg
(74) *Attorney, Agent, or Firm* — Wood Herron & Evans LLP

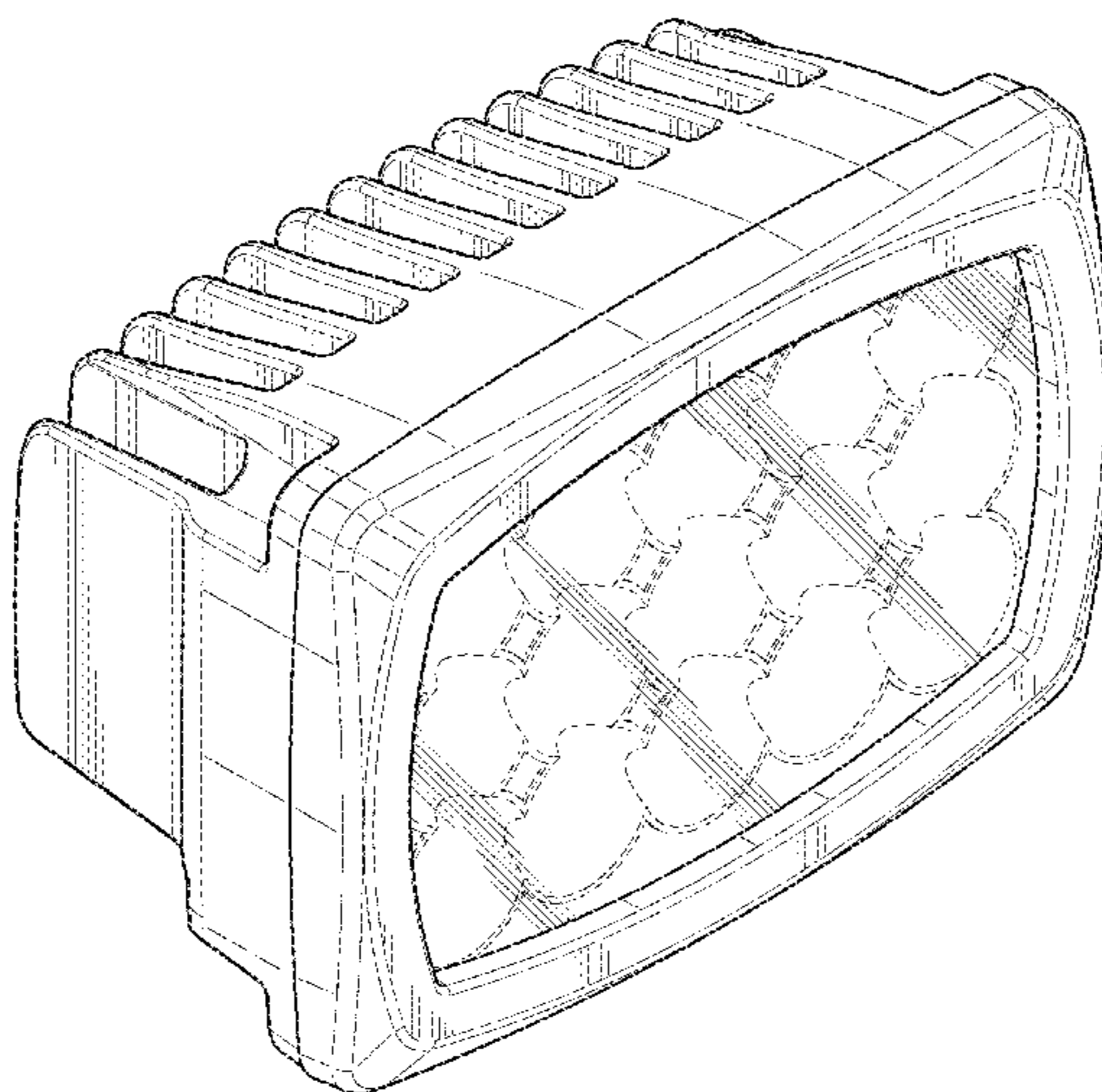
(57) **CLAIM**

The ornamental design for a lighting device, as shown and described.

DESCRIPTION

FIG. 1 is a front isometric view of the lighting device; FIG. 2 is a rear isometric view; FIG. 3 is a front elevational view; FIG. 4 is a rear elevational view; FIG. 5 is a left side elevational view; FIG. 6 is a right side elevation view; FIG. 7 is a top plan view; and, FIG. 8 is a bottom plan view. The broken lines shown in the drawings depict portions of the article and form no part of the claimed design.

1 Claim, 7 Drawing Sheets



(56)

References Cited

U.S. PATENT DOCUMENTS

D698,060	S *	1/2014	Korpi	D26/63
D698,472	S *	1/2014	Korpi	D26/63
D698,473	S *	1/2014	Korpi	D26/63
D698,474	S *	1/2014	Korpi	D26/63
D698,475	S *	1/2014	Korpi	D26/63
D704,363	S	5/2014	Adams		
D704,365	S	5/2014	Adams		
D708,778	S	7/2014	Sibitzky et al.		
D718,478	S	11/2014	Adams		
D732,219	S *	6/2015	Adams	D26/63
D734,521	S *	7/2015	Gebhard	D26/63
D739,072	S	9/2015	Adams et al.		
D761,482	S *	7/2016	Largent	D26/118
D775,401	S	12/2016	Sibitzky et al.		
D775,402	S	12/2016	Sibitzky et al.		
D775,404	S *	12/2016	Adams	D26/118
9,605,843	B2 *	3/2017	Gebhard	F21V 29/02
D784,599	S *	4/2017	Sibitzky	D26/118
D805,670	S *	12/2017	Madril	D26/63
D827,167	S *	8/2018	Deyaf	D26/28
D833,655	S *	11/2018	Ko	D26/28

OTHER PUBLICATIONS

“Turbo 511 Led Light Bar.” Found online Jan. 2, 2019 at www.amazon.com. Page dated Mar. 23, 2015. Retrieved from URL: https://www.amazon.com/Tractor-Reverse-Wheeler-Polaris-motorcycle/dp/B00V2VF86W/ref=sr_1_12_sspa?ie=UTF8&qid=1546451612&sr=8-12-spons&keywords=led+work+light+for+vehicle&psc=1 (Year: 2015).*

“Blazer CWL535 LED Square Magnetic Work Light.” Found online Jan. 2, 2019 at www.amazon.com. Page dated Jan. 3, 2012. Retrieved from URL: https://www.amazon.com/Blazer-CWL535-Square-Magnetic-Light/dp/B006STTM9C/ref=sr_1_13?s=hi&ie=UTF8&qid=1546452200&sr=1-13&keywords=LED+tractor+light (Year: 2012).*

“TMH 48w Square Shape 30 Degree LED Work Light.” Found online Jan. 2, 2019 at www.amazon.com. Page dated Jul. 18, 2013. Retrieved from URL: https://www.amazon.com/30-Motorbike-Motorcycle-Excavator-Bulldozer/dp/B00E1HX8HK/ref=sr_1_26?s=hi&ie=UTF8&qid=1546452200&sr=1-26&keywords=LED+tractor+light (Year: 2013).*

* cited by examiner

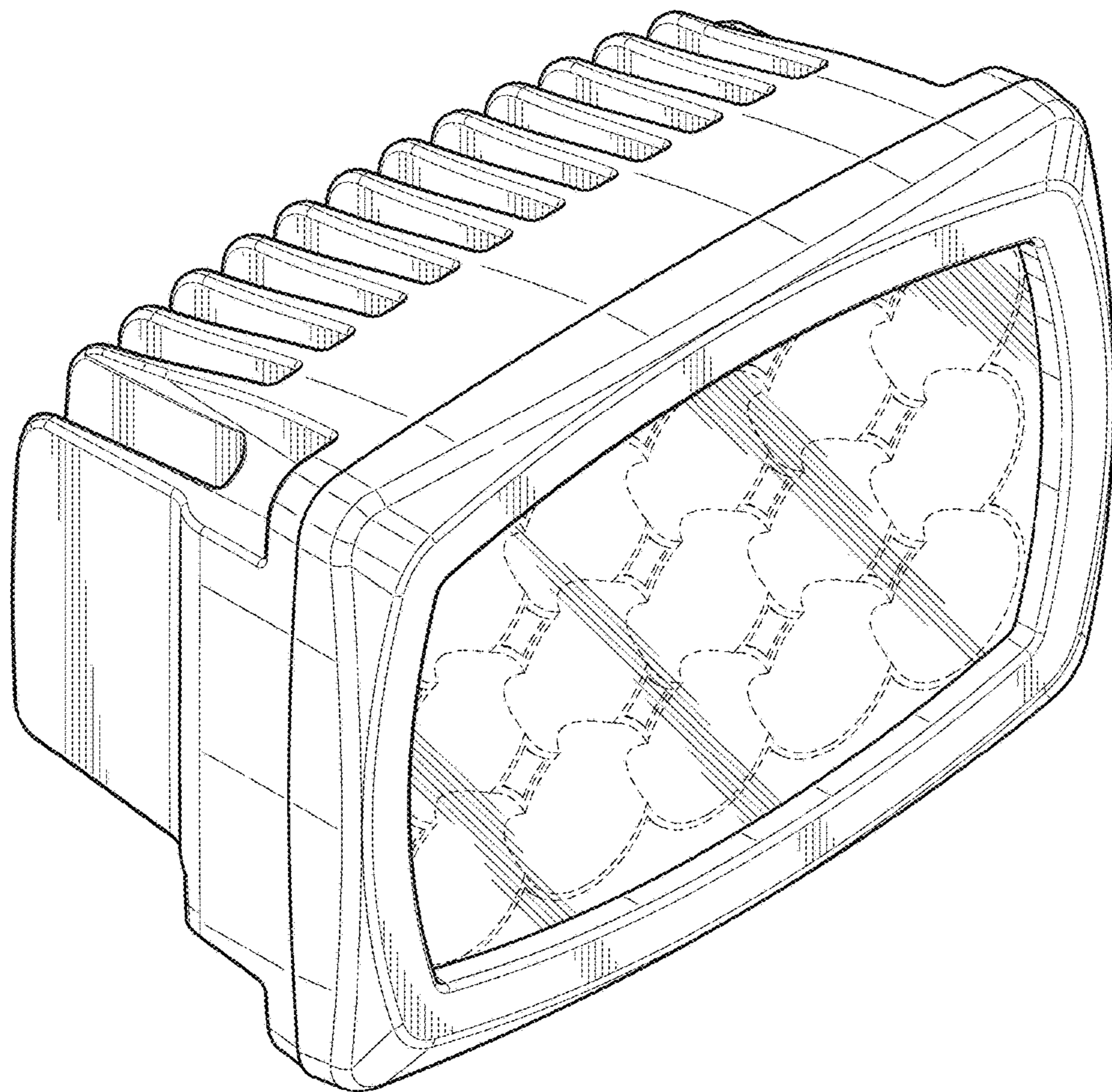


FIG. 1

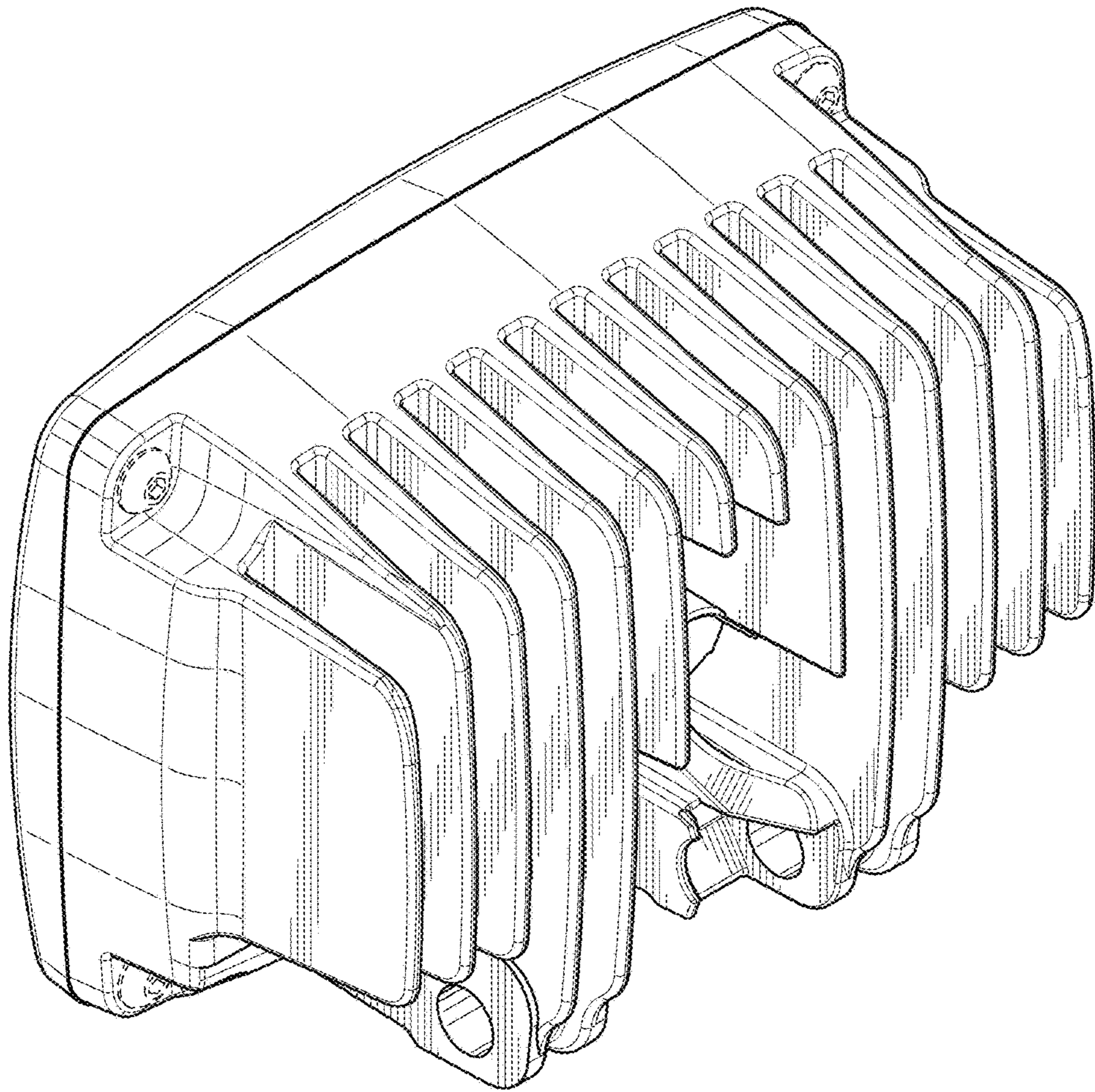


FIG. 2

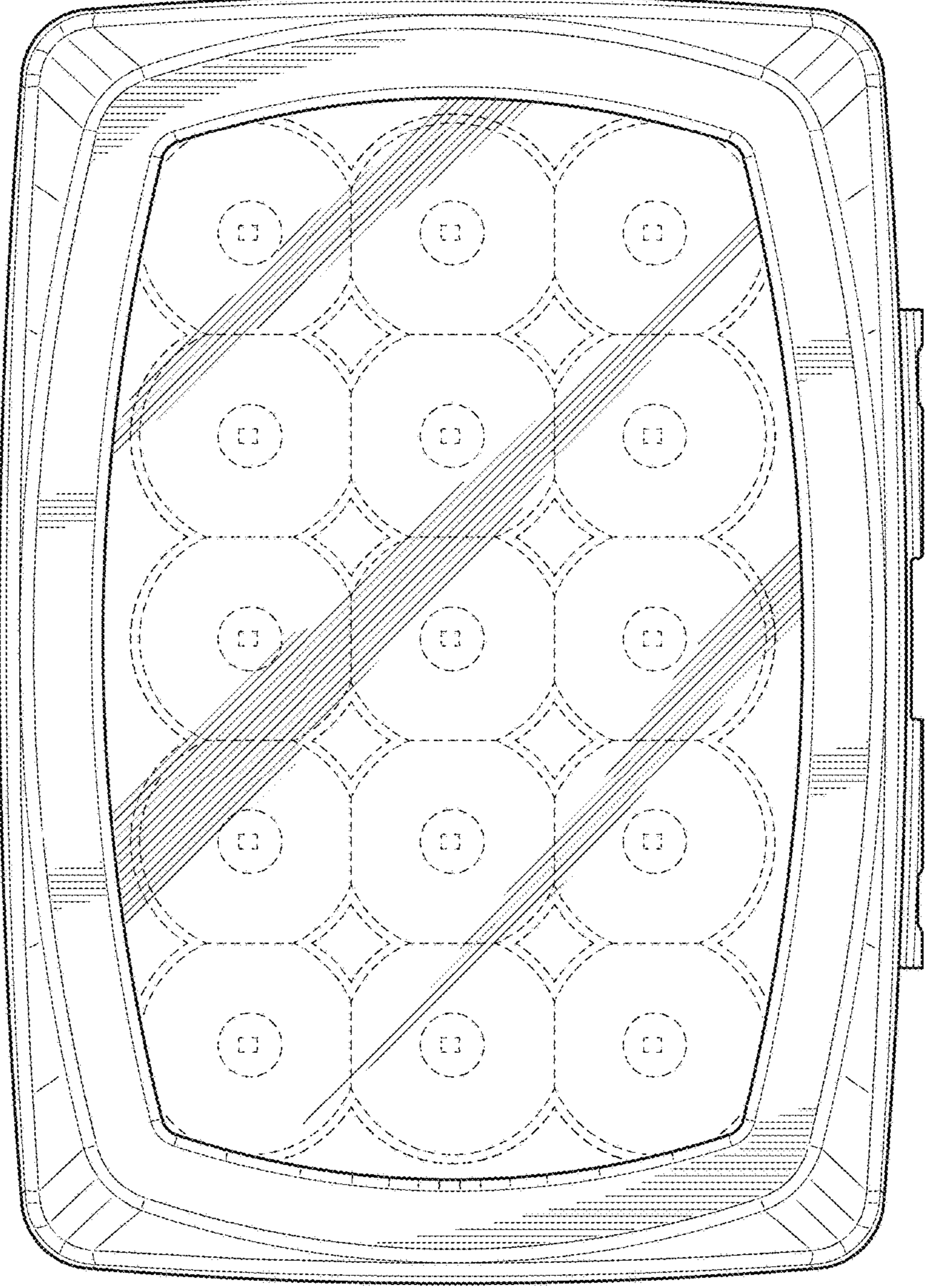


FIG. 3

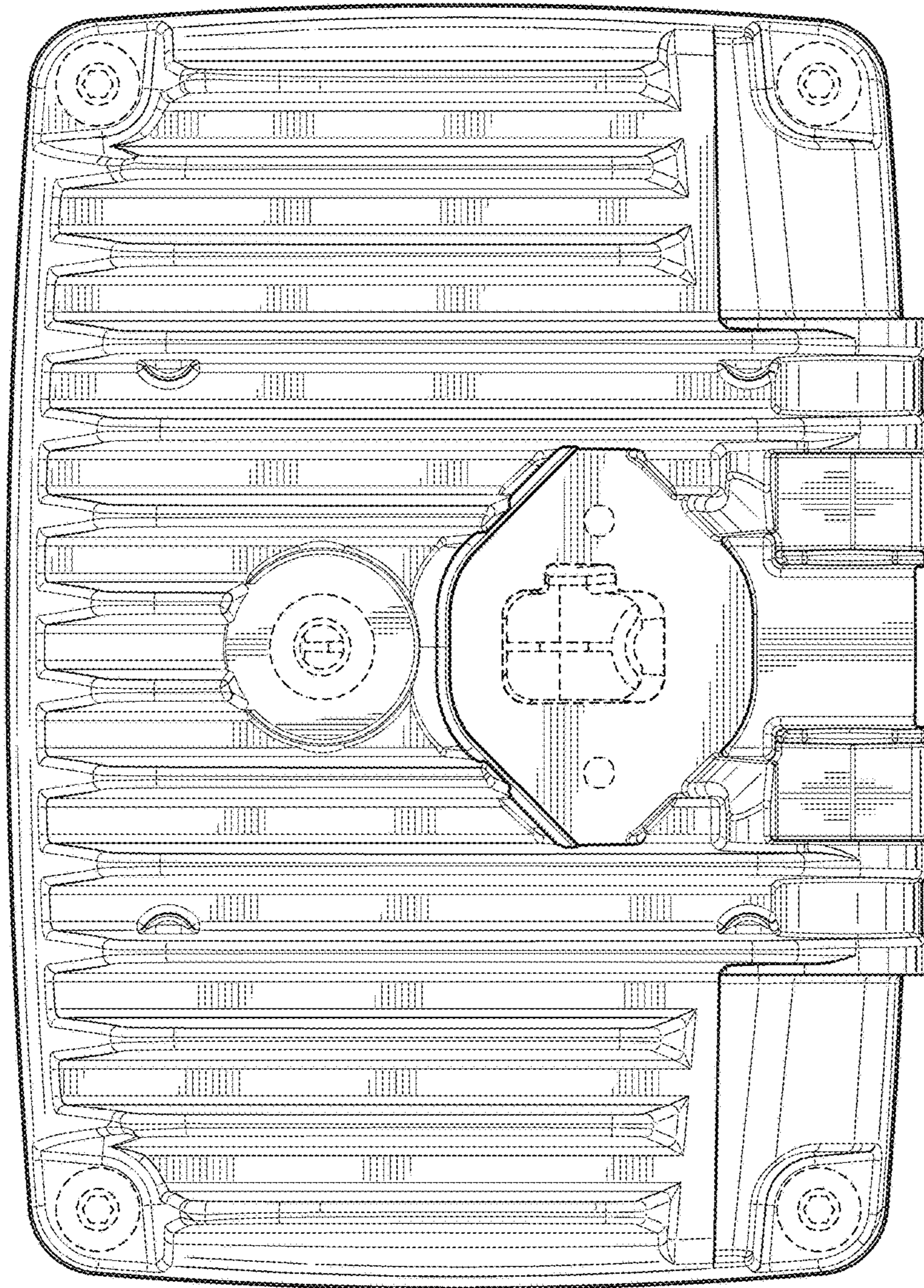


FIG. 4

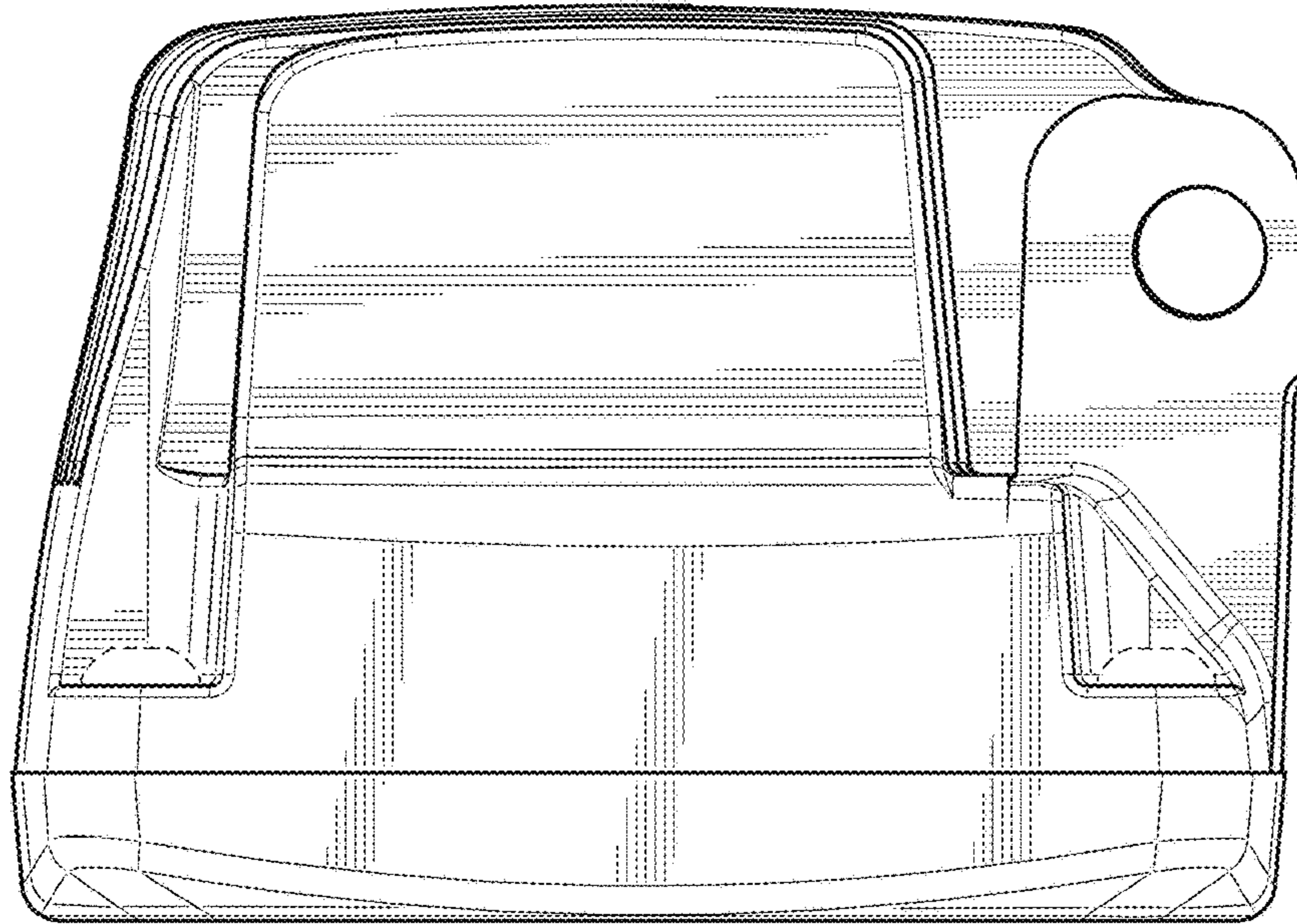


FIG. 5

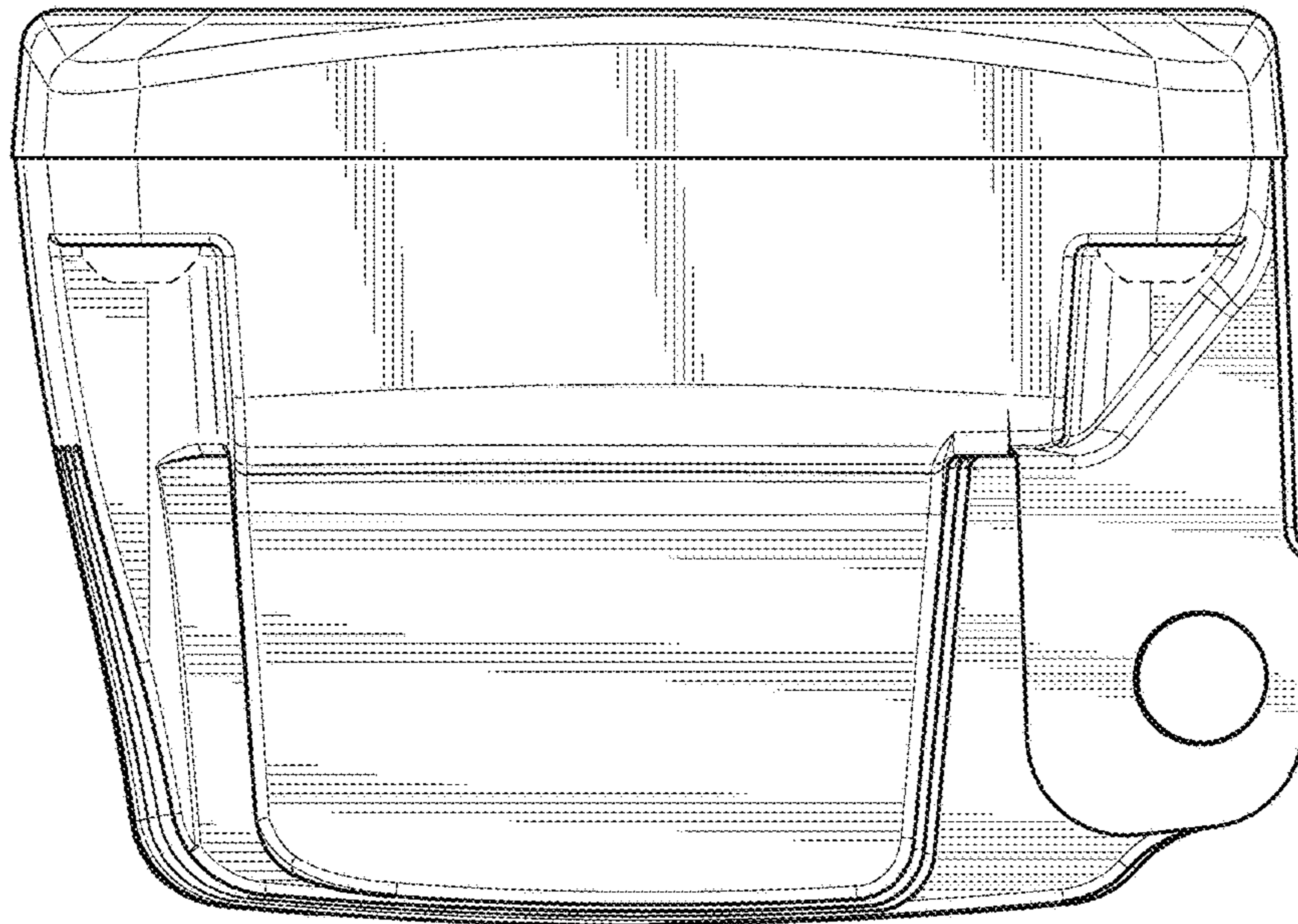


FIG. 6

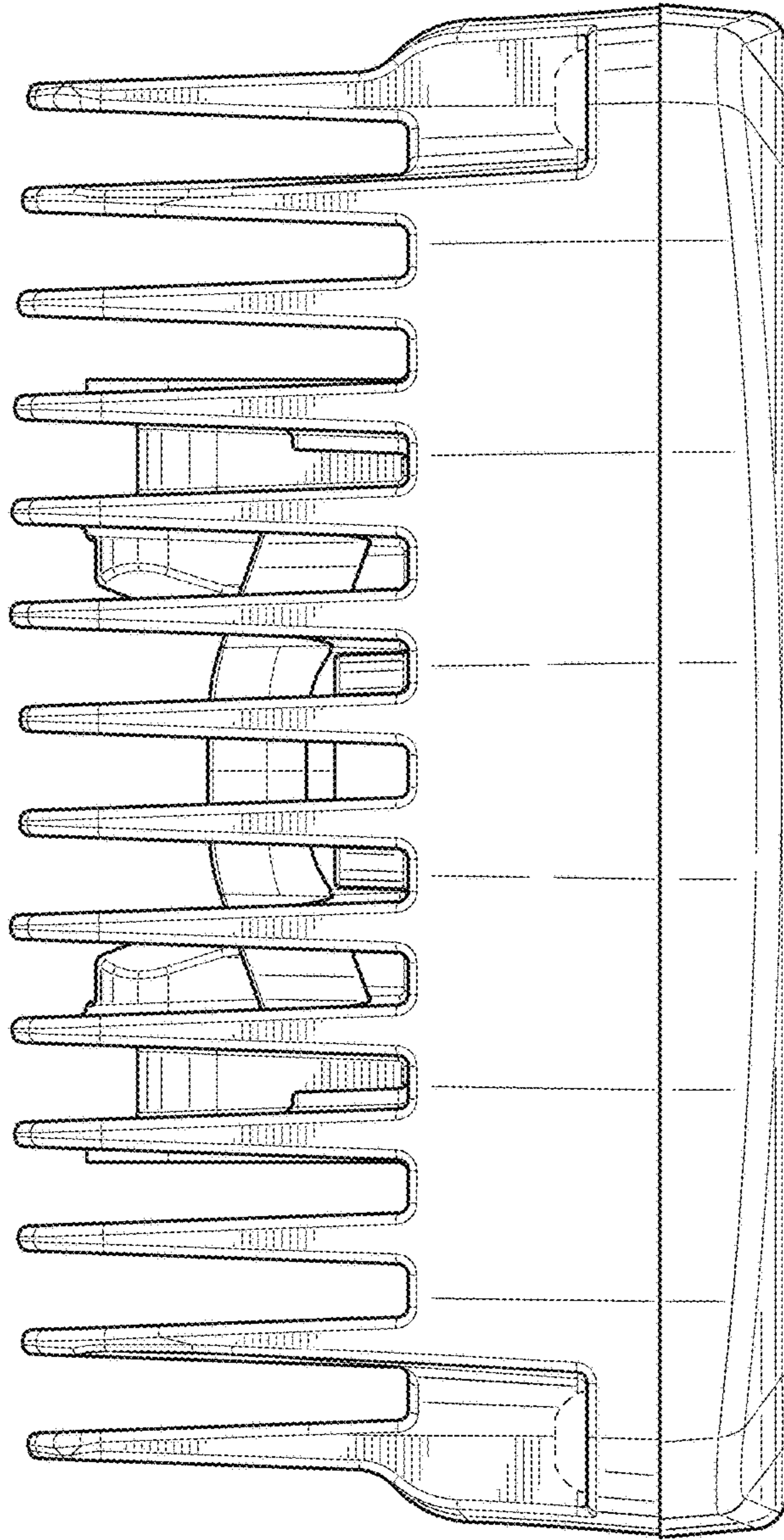


FIG. 7

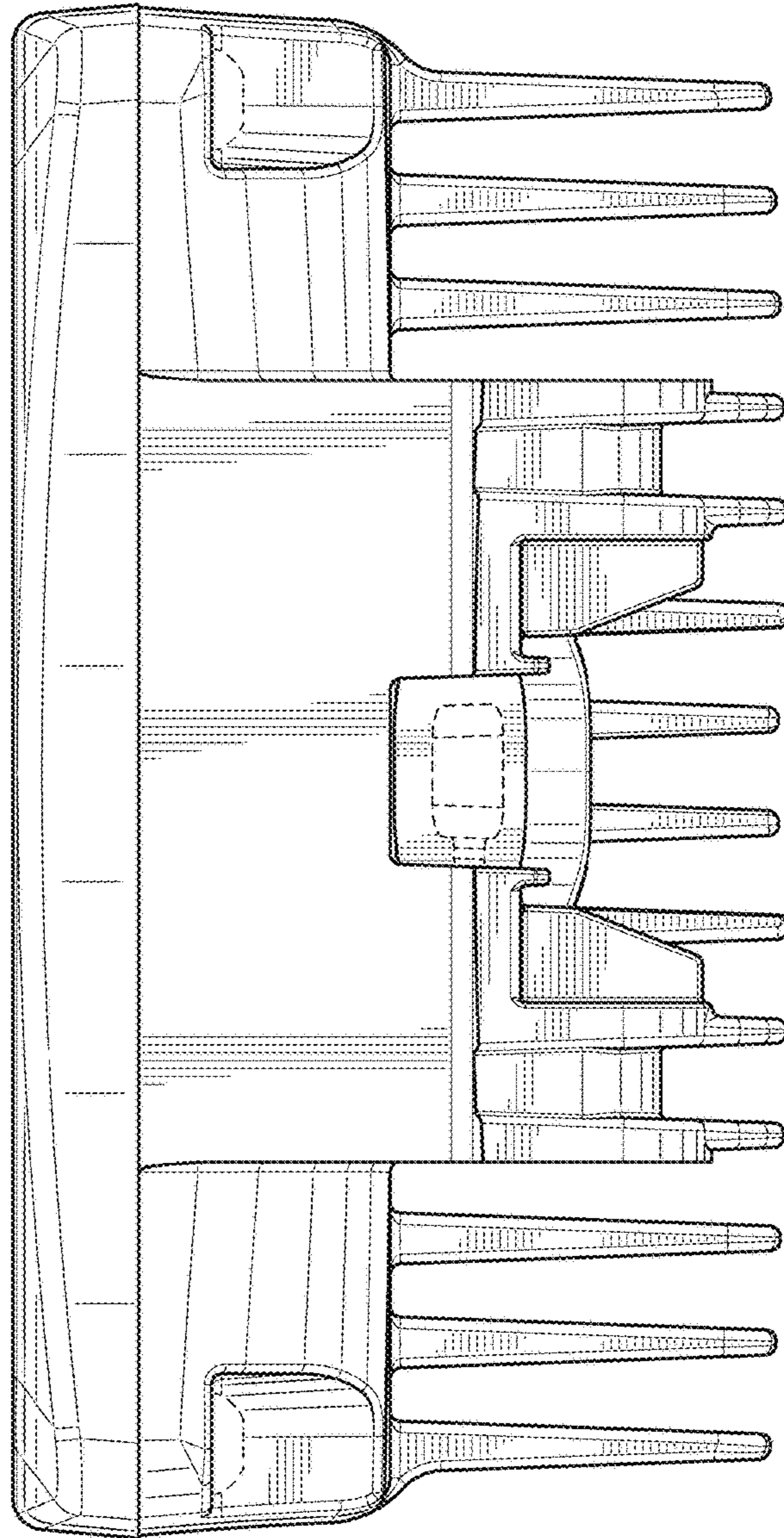


FIG. 8