



US00D851296S

(12) **United States Design Patent** (10) **Patent No.:** **US D851,296 S**
McGinley et al. (45) **Date of Patent:** **** Jun. 11, 2019**

(54) **HEADLIGHT NACELLE FOR MOTORCYCLE**
(71) Applicant: **Harley-Davidson Motor Company Group, LLC, Milwaukee, WI (US)**
(72) Inventors: **Ben McGinley, Glendale, WI (US); Casey Ketterhagen, Hartland, WI (US)**
(73) Assignee: **Harley-Davidson Motor Company Group, LLC, Milwaukee, WI (US)**

D462,799 S * 9/2002 Ziaylek, Jr. D26/28
D542,441 S * 5/2007 Pan D26/28
D581,575 S * 11/2008 Montalbano D26/28
D694,920 S * 12/2013 Jurgens D26/28
D711,566 S * 8/2014 Wu D26/28
D722,713 S * 2/2015 Burns D26/28
D756,001 S * 5/2016 Schneider D26/28
D757,964 S * 5/2016 Eagleman D26/28
D799,552 S * 10/2017 McGinley D15/5
2006/0092649 A1 * 5/2006 Bynum B60Q 3/51
362/488

(**) Term: **15 Years**
(21) Appl. No.: **29/612,746**
(22) Filed: **Aug. 3, 2017**
(51) **LOC (11) Cl.** **26-06**
(52) **U.S. Cl.**
USPC **D26/28**
(58) **Field of Classification Search**
USPC D12/86, 90-92, 114, 163, 169, 171-173,
D12/181, 190, 196, 197, 199, 400;
D17/1, 222; D26/28-36
CPC .. B62J 6/02; B62J 6/00; B60Q 3/0279; B60Q
3/104; B60Q 3/10408; B60Q 3/10466;
B60Q 3/12653; B60Q 3/128; F21S 48/00;
F21S 48/10; F21S 48/115; F21S 48/225;
F21S 48/1233; F21S 48/1266; F21S
48/1388; F21S 48/2268; F21V 21/04
See application file for complete search history.

(56) **References Cited**

U.S. PATENT DOCUMENTS

D315,610 S * 3/1991 Joosten D26/24
D355,269 S * 2/1995 Matthies D26/28
D358,675 S * 5/1995 Wyse D26/28
D411,489 S * 6/1999 Davidson D12/126

OTHER PUBLICATIONS

Harley-Davidson, "Freight Train Headlight Nacelle," picture (publicly available prior to Aug. 3, 2017) http://accessories.harley-davidson.eu/images/product/67907-96C_large_1.jpg.

* cited by examiner

Primary Examiner — Philip S Hyder
Assistant Examiner — Cary M Robinson
(74) *Attorney, Agent, or Firm* — Michael Best & Friedrich LLP

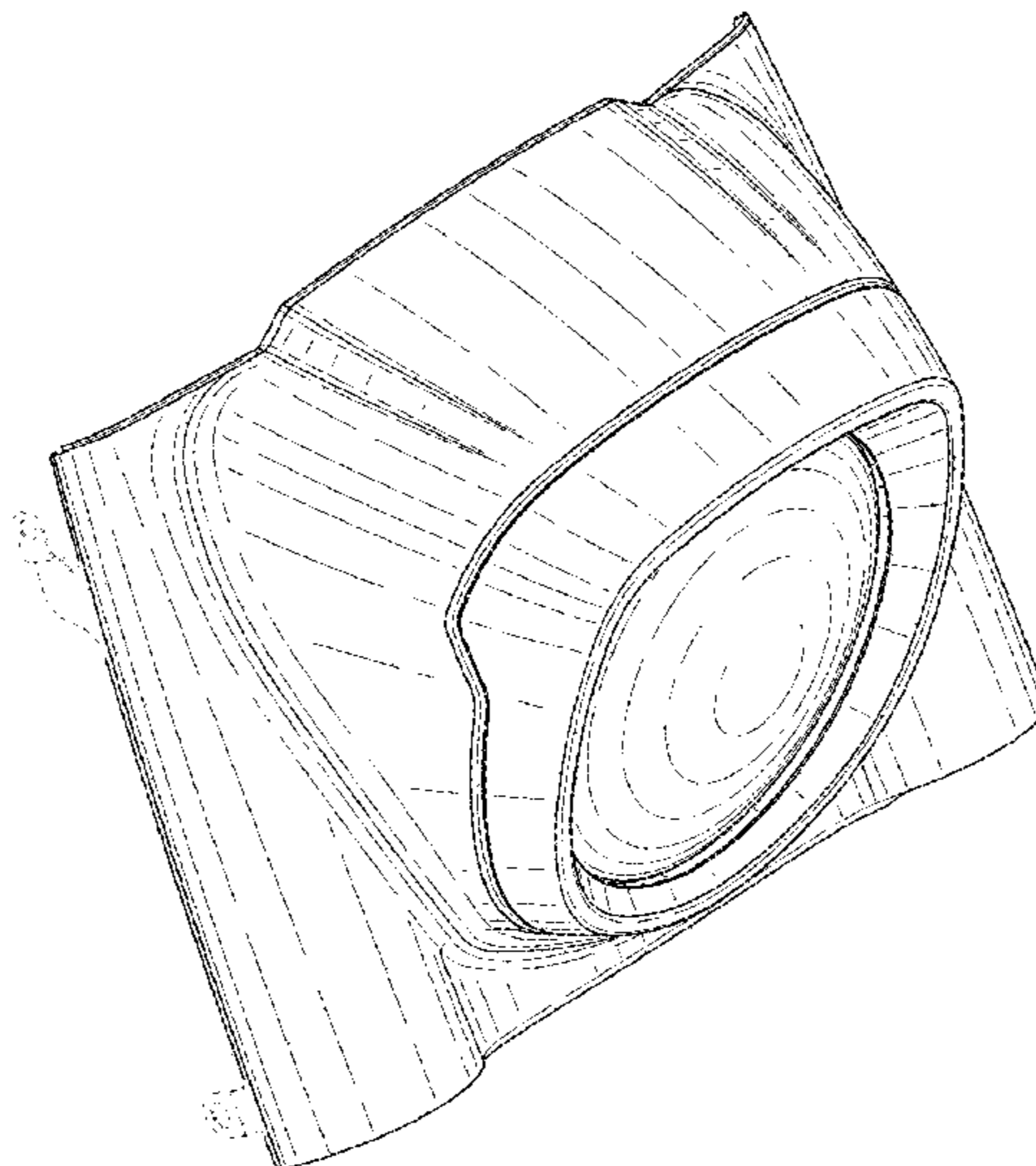
(57) **CLAIM**

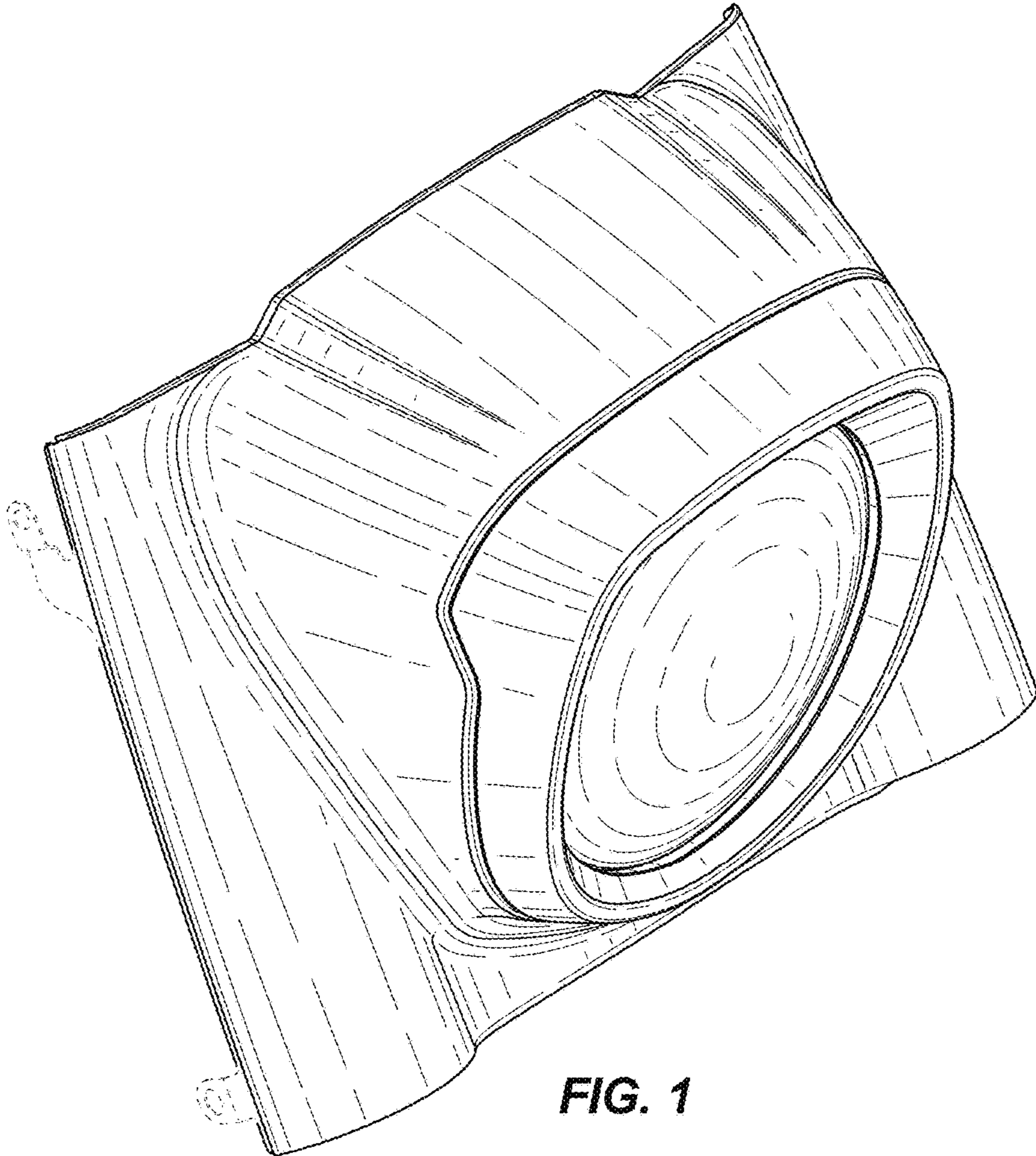
We claim the ornamental design for a headlight nacelle for motorcycle, as shown and described.

DESCRIPTION

FIG. 1 is a perspective view of a headlight nacelle for motorcycle;
FIG. 2 is a front view thereof;
FIG. 3 is a rear view thereof;
FIG. 4 is a right side view thereof;
FIG. 5 is a left side view thereof;
FIG. 6 is a top view thereof; and,
FIG. 7 is a bottom view thereof.

1 Claim, 7 Drawing Sheets





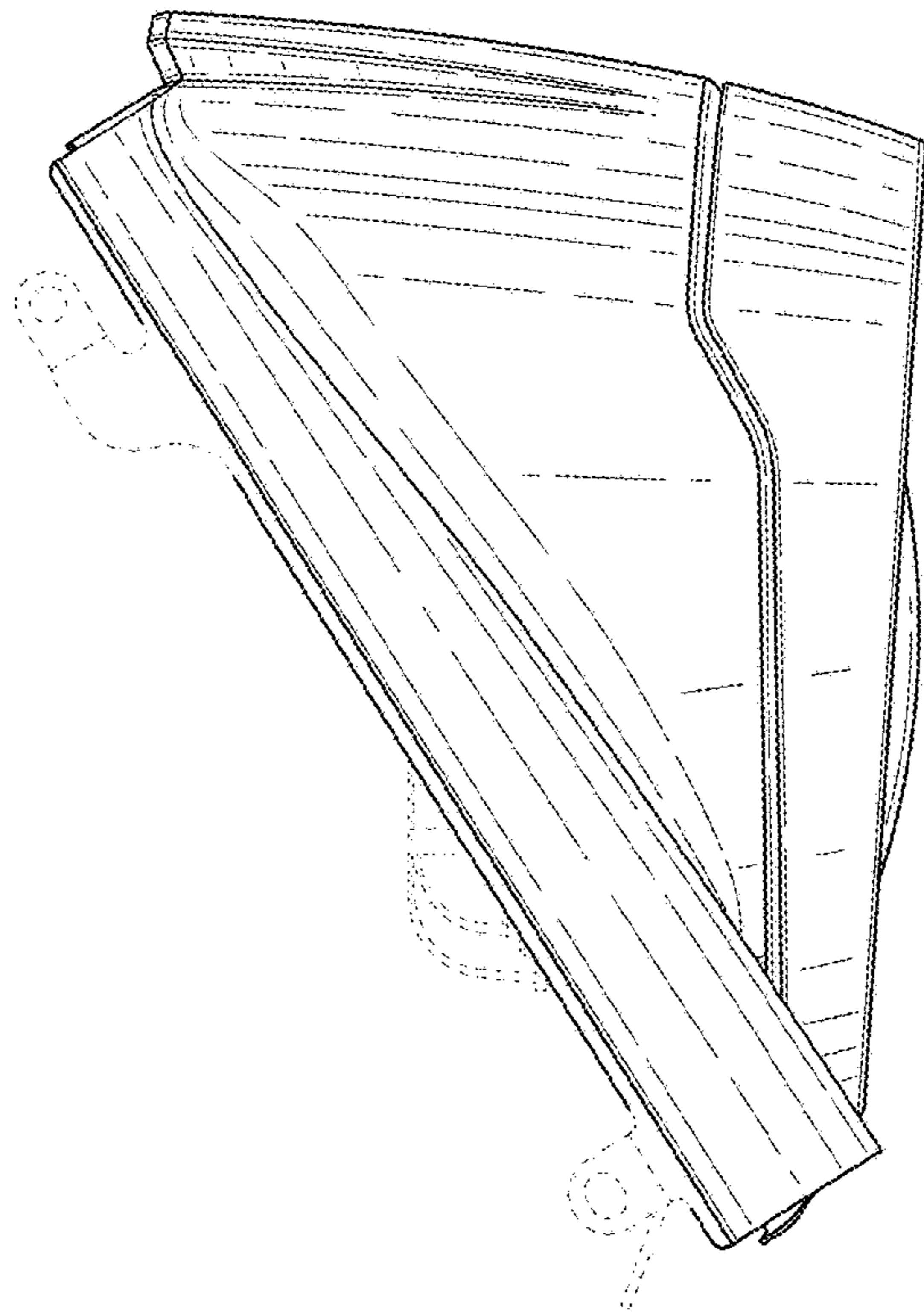


FIG. 2

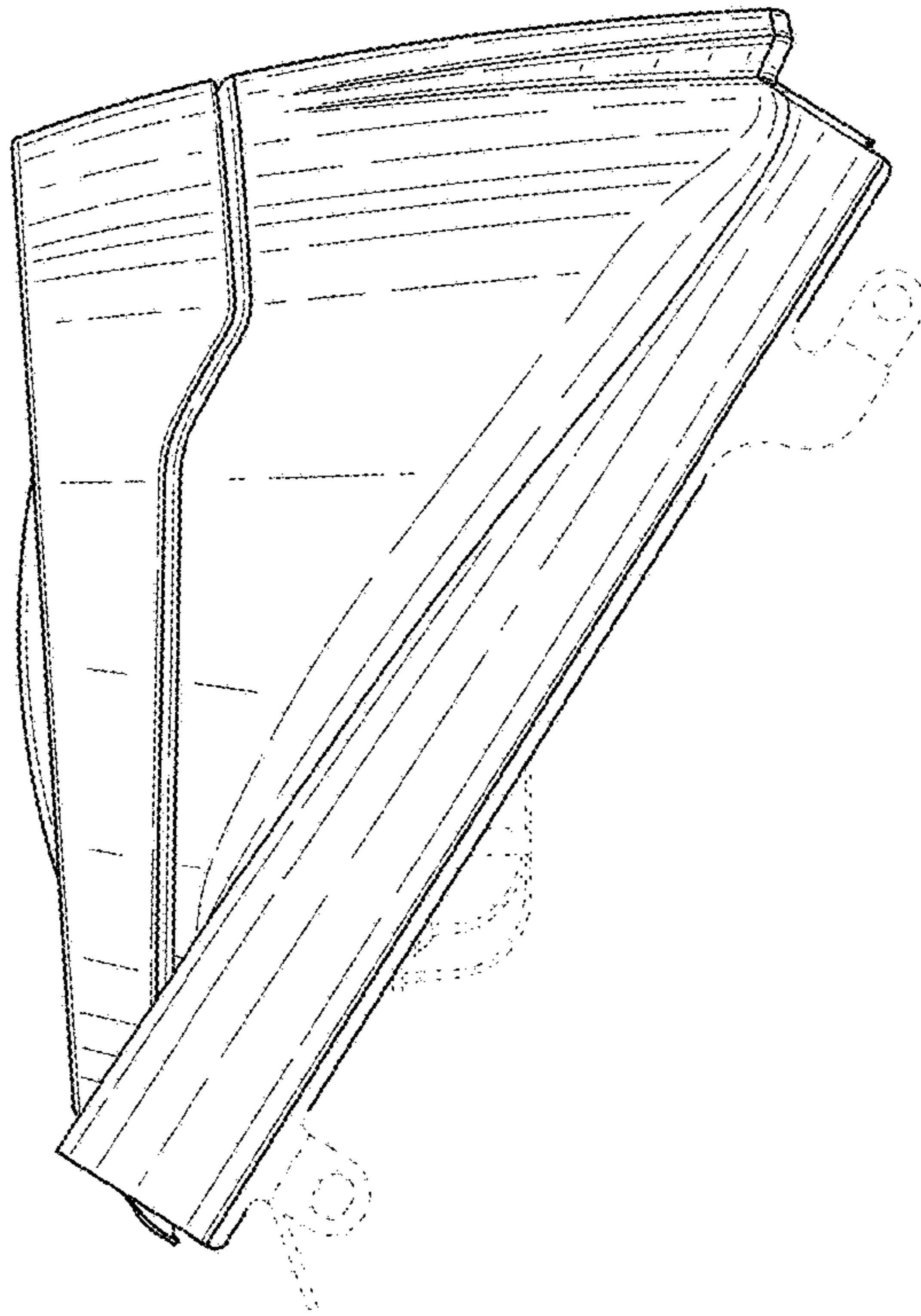


FIG. 3

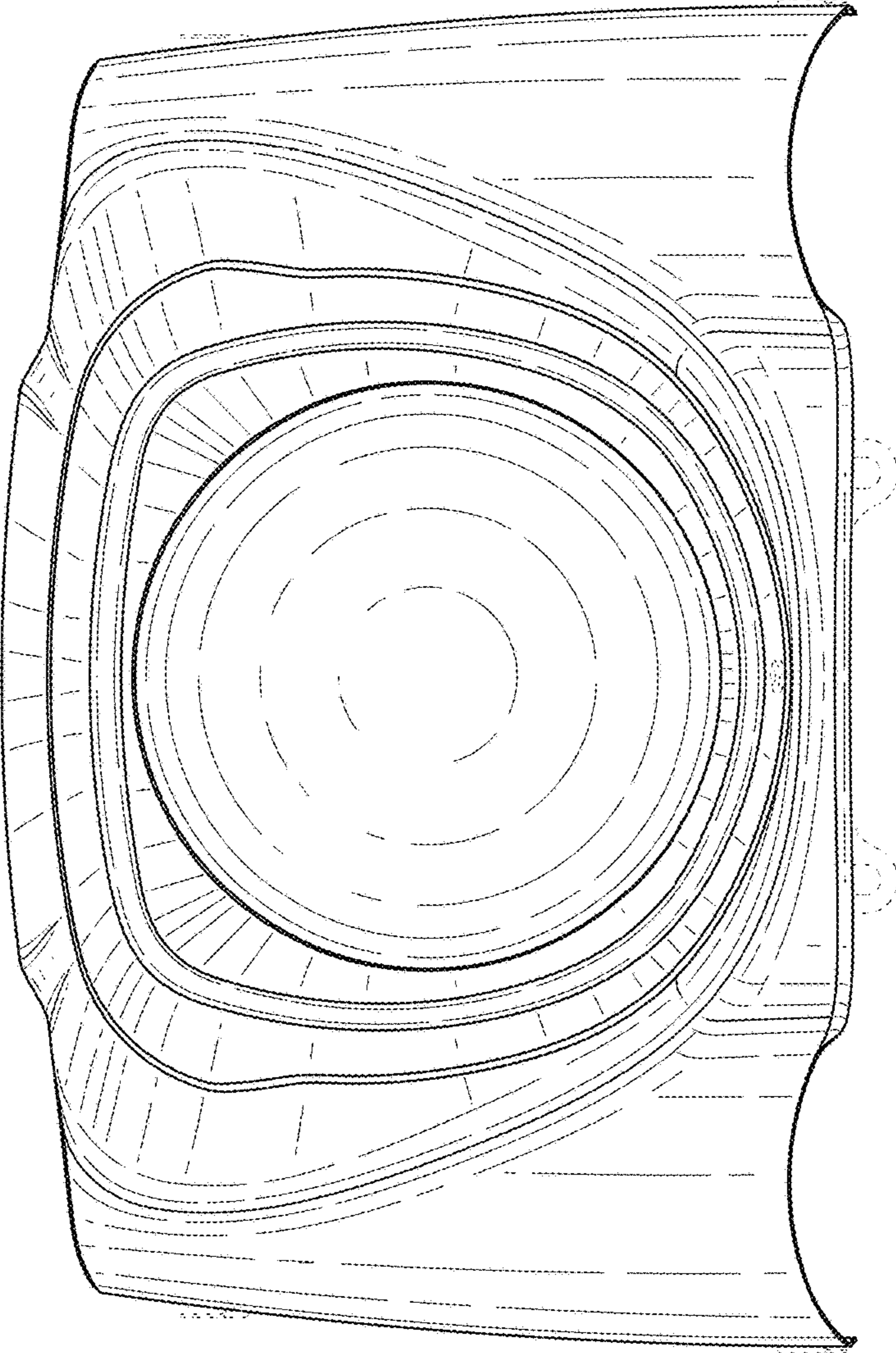


FIG. 4

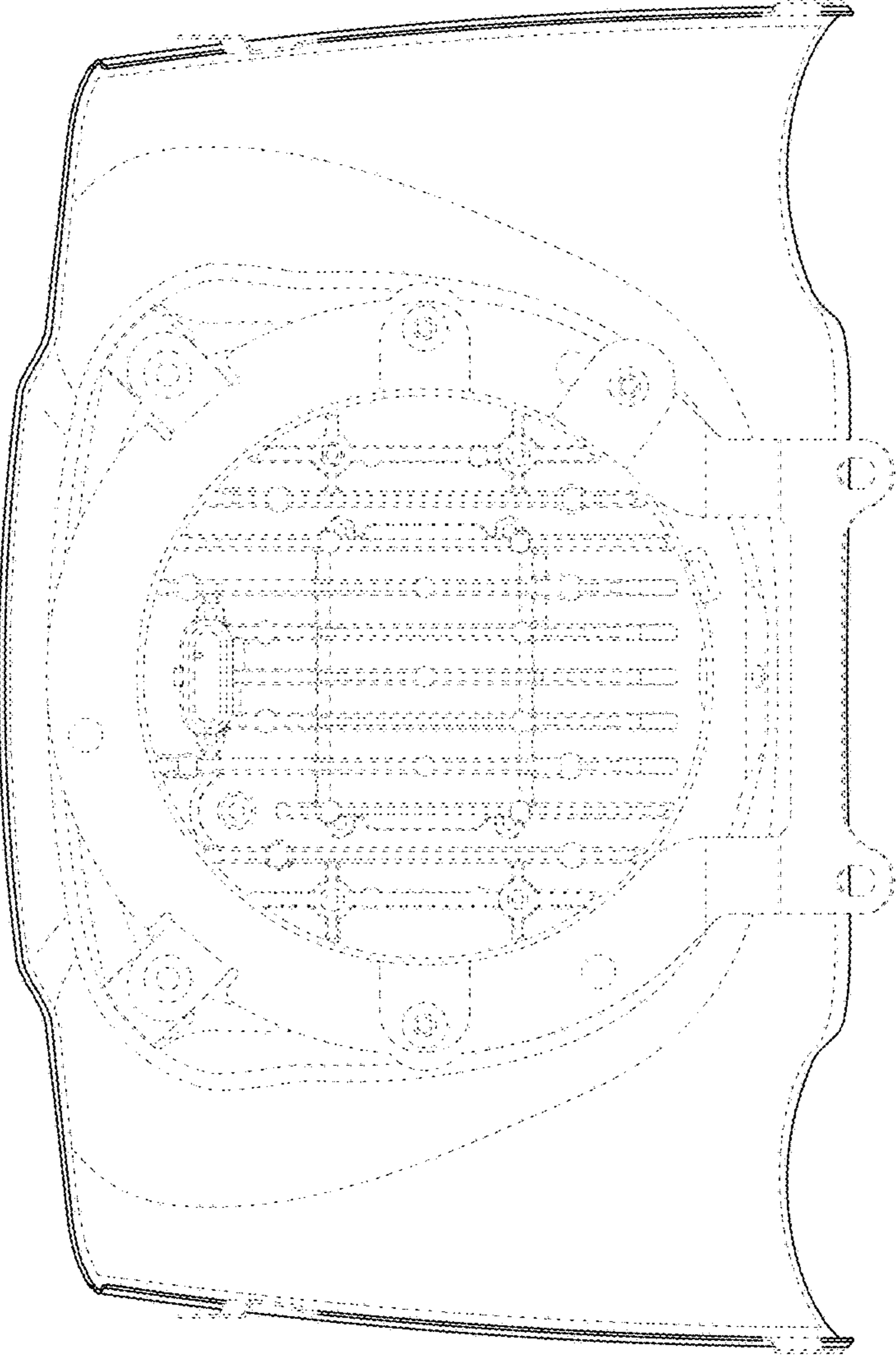


FIG. 5

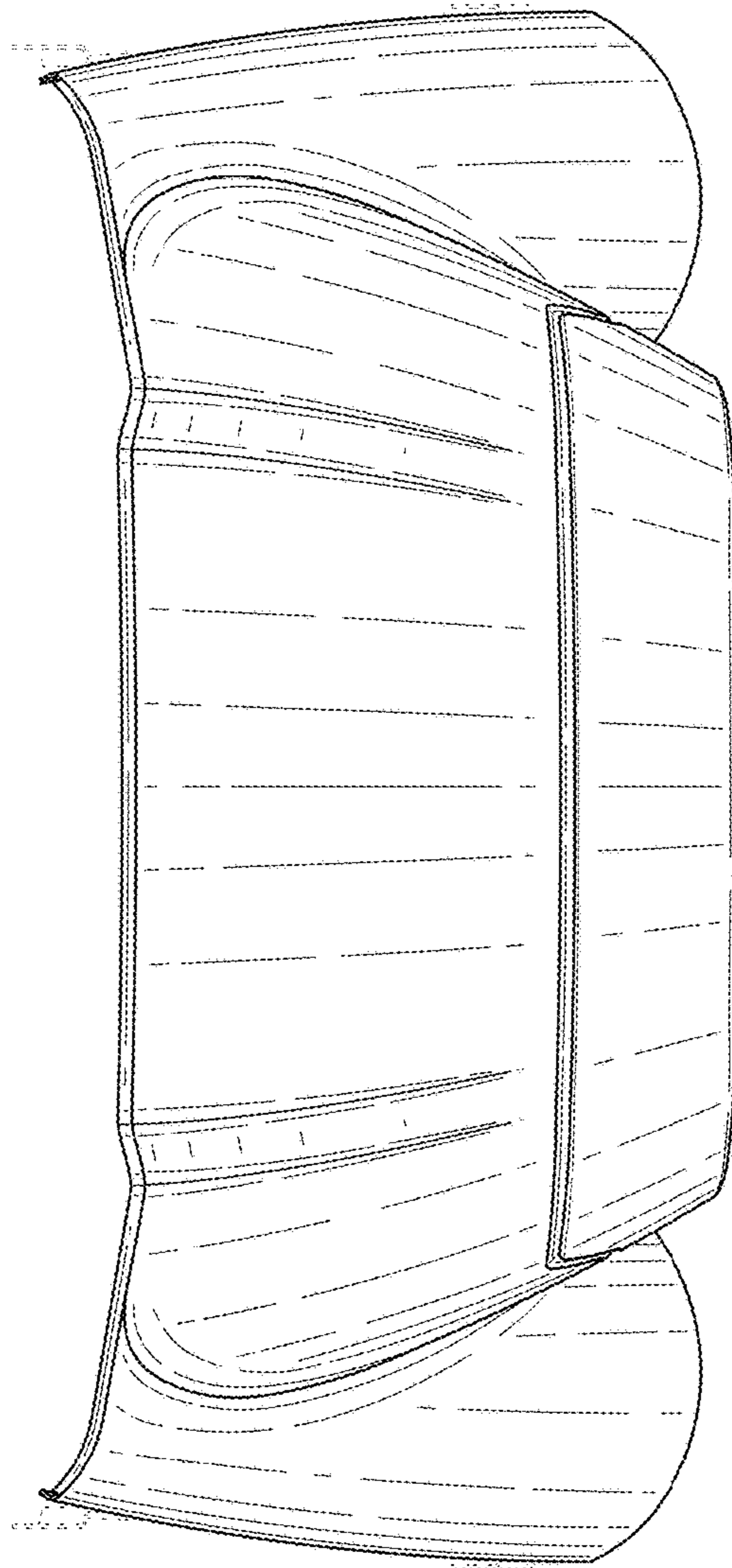


FIG. 6

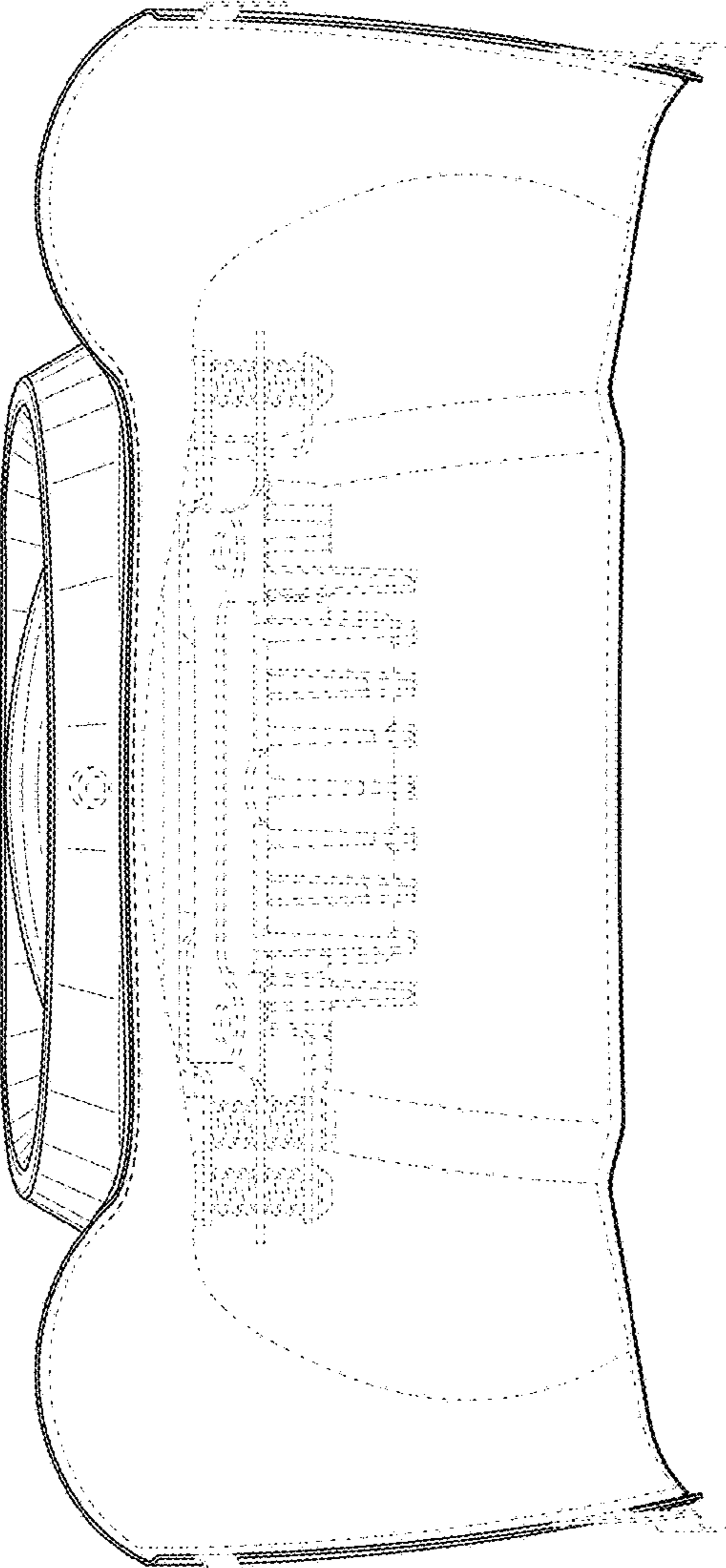


FIG. 7