



US00D851293S

(12) **United States Design Patent**  
**Anderson**

(10) **Patent No.:** **US D851,293 S**  
(45) **Date of Patent:** **\*\* Jun. 11, 2019**

(54) **COMBINED WREATH FRAME AND CANDLE HOLDER**

(71) Applicant: **Sophia Anderson**, Memphis, TN (US)

(72) Inventor: **Sophia Anderson**, Memphis, TN (US)

(\*\*) Term: **15 Years**

(21) Appl. No.: **29/631,800**

(22) Filed: **Jan. 3, 2018**

(51) **LOC (11) Cl.** ..... **26-01**

(52) **U.S. Cl.**  
USPC ..... **D26/10; D11/120**

(58) **Field of Classification Search**  
USPC ..... D26/6-23, 55, 73, 96, 155; D11/120, D11/164  
CPC ..... F21V 35/00; A01G 5/02; A01G 5/04  
See application file for complete search history.

(56) **References Cited**

**U.S. PATENT DOCUMENTS**

1,436,003	A	11/1922	Andresen	
1,696,221	A *	12/1928	Tubbs	A01G 5/04 428/10
1,765,940	A	6/1930	Rudges	
D91,641	S *	2/1934	Wittig	D29/130
1,951,717	A	3/1934	Wolf	
D96,435	S *	7/1935	Weil	47/41.01
2,033,173	A	3/1936	Barocas	
2,079,250	A	5/1937	Grisolia	
2,083,240	A	6/1937	Pollock	
2,086,958	A *	7/1937	Pollock	F21S 4/10 106/278
5,037,679	A *	8/1991	Noble, Jr.	B44C 5/02 156/63
D361,308	S *	8/1995	Loran	D11/164
D367,373	S *	2/1996	Hardy	D26/13

5,503,883	A *	4/1996	Kell, Jr.	A01G 5/04 264/DIG. 67
D401,364	S *	11/1998	Kieckhaefer	D26/16
D403,440	S *	12/1998	Holmes	D26/9
D451,430	S	12/2001	Tsai	
D455,675	S *	4/2002	Rose	D11/152
D508,742	S *	8/2005	van Bekhoven	D26/9
7,766,284	B2 *	8/2010	Boschetto	A01G 5/04 248/27.8
D704,882	S *	5/2014	Wanders	D26/82
D732,213	S *	6/2015	Fagerstrom	D26/9
D734,514	S *	7/2015	Greenwell	D26/19
9,357,713	B1 *	6/2016	Sharpe	A01G 5/04
D774,939	S *	12/2016	Nelson	D11/120
D790,740	S *	6/2017	Lieblein	D26/25
D820,538	S *	6/2018	Urbanczyk	D30/160
D831,242	S *	10/2018	Trimarchi	D26/9
D836,484	S *	12/2018	Chadwell	D11/120
2006/0117629	A1 *	6/2006	Errington	G09F 3/20 40/658
2013/0094190	A1	4/2013	Gerson	

\* cited by examiner

*Primary Examiner* — Ian Simmons

*Assistant Examiner* — Keith Frank

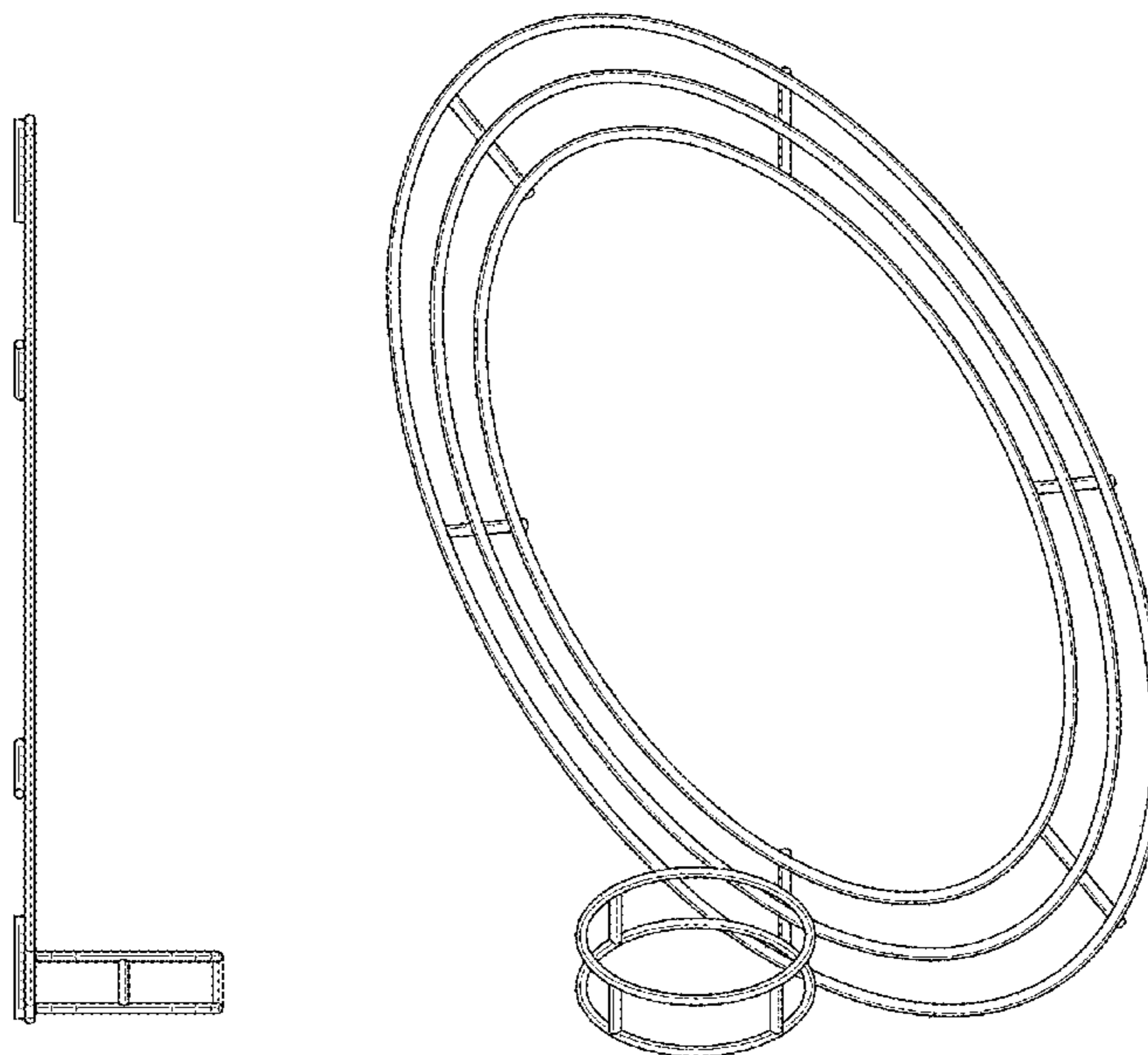
(57) **CLAIM**

The ornamental design for a combined wreath frame and candle holder, as shown and described.

**DESCRIPTION**

FIG. 1 is a front elevation view of a combined wreath frame and candle holder showing my new design;  
FIG. 2 is a rear elevation view thereof;  
FIG. 3 is a left side elevation view, the right side being a mirror image thereof;  
FIG. 4 is a top plan view thereof;  
FIG. 5 is a bottom plan view thereof; and,  
FIG. 6 is a top, front side perspective view thereof.

**1 Claim, 5 Drawing Sheets**



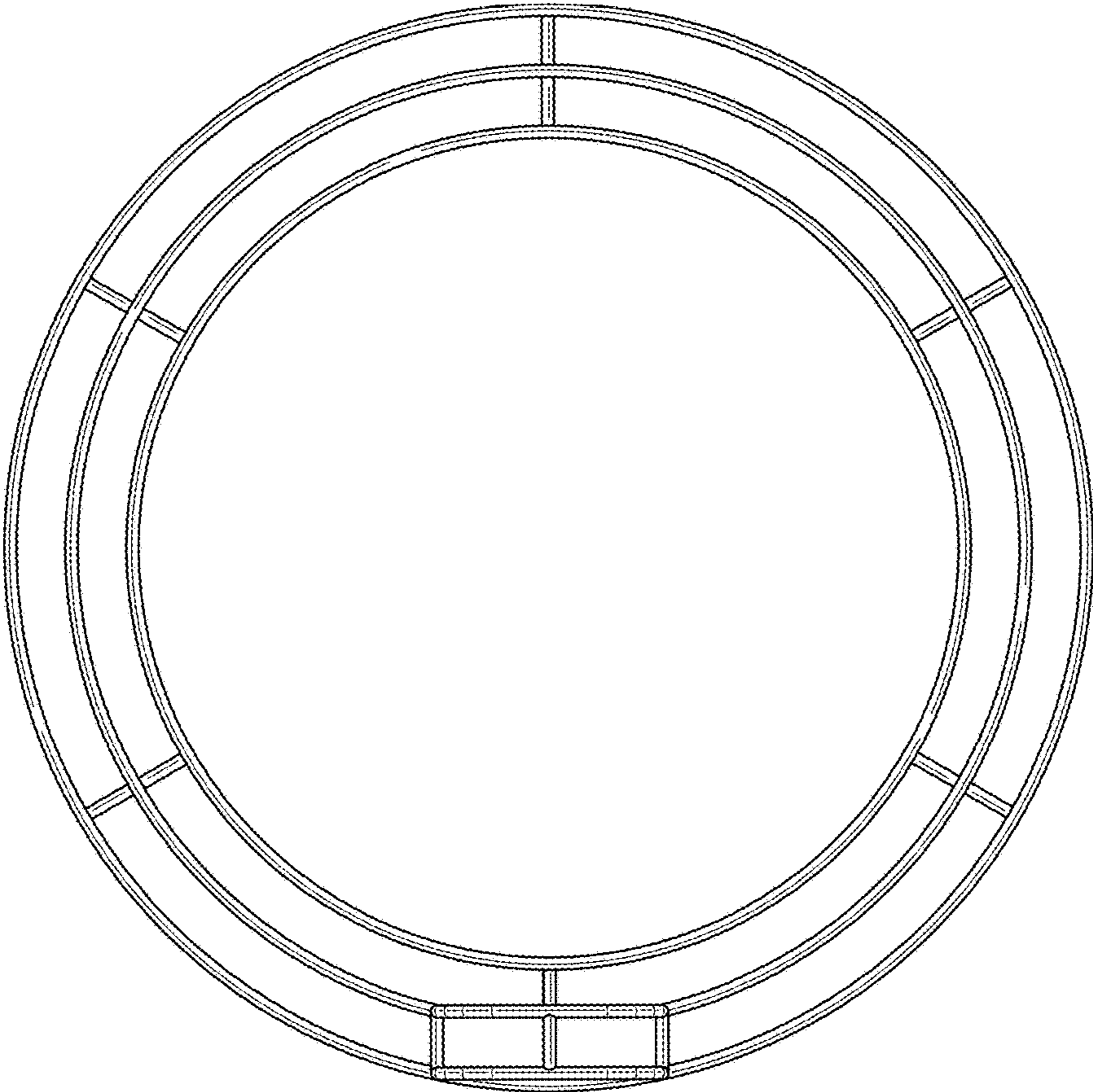


FIG. 1

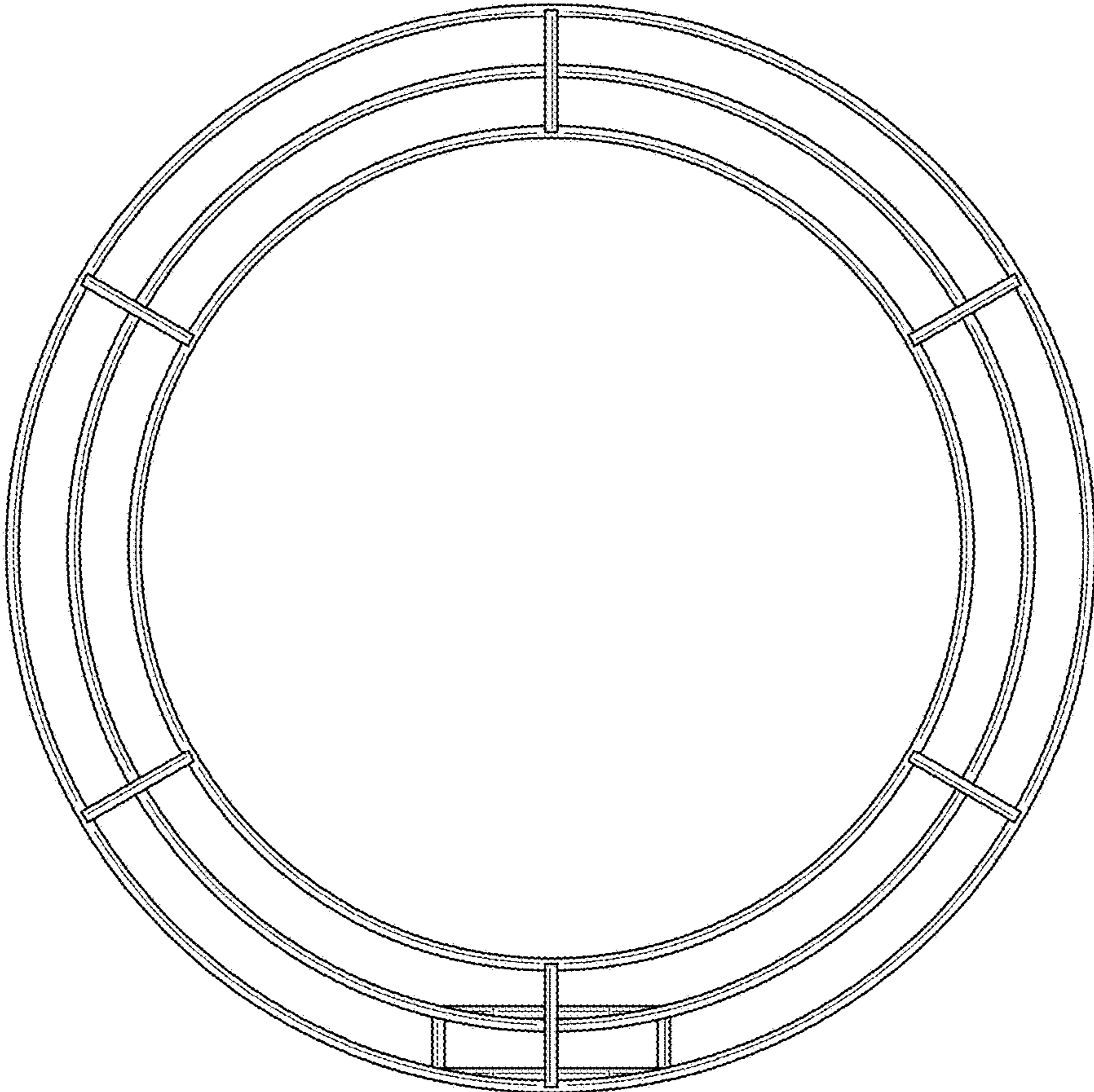


FIG. 2

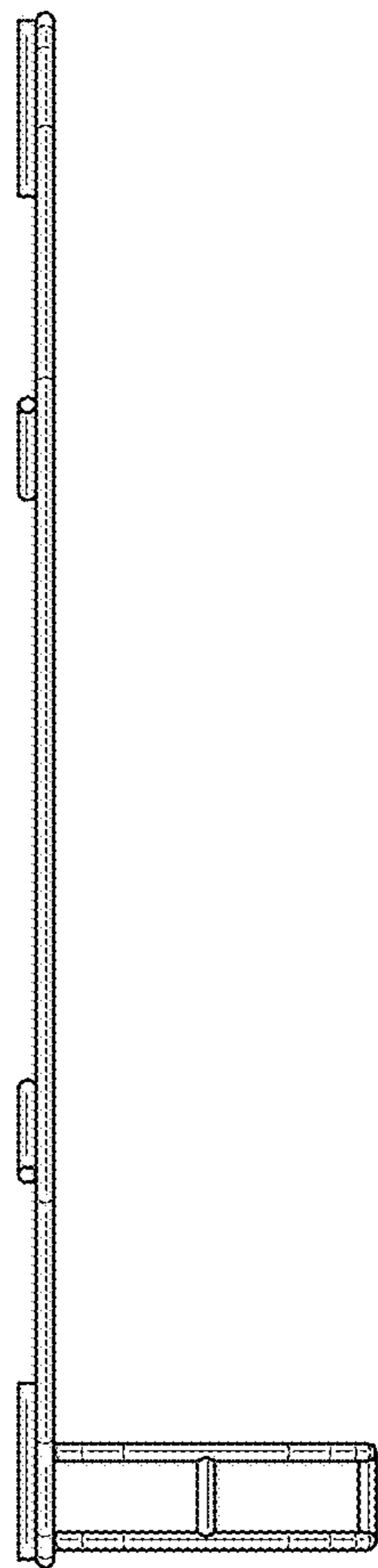


FIG. 3

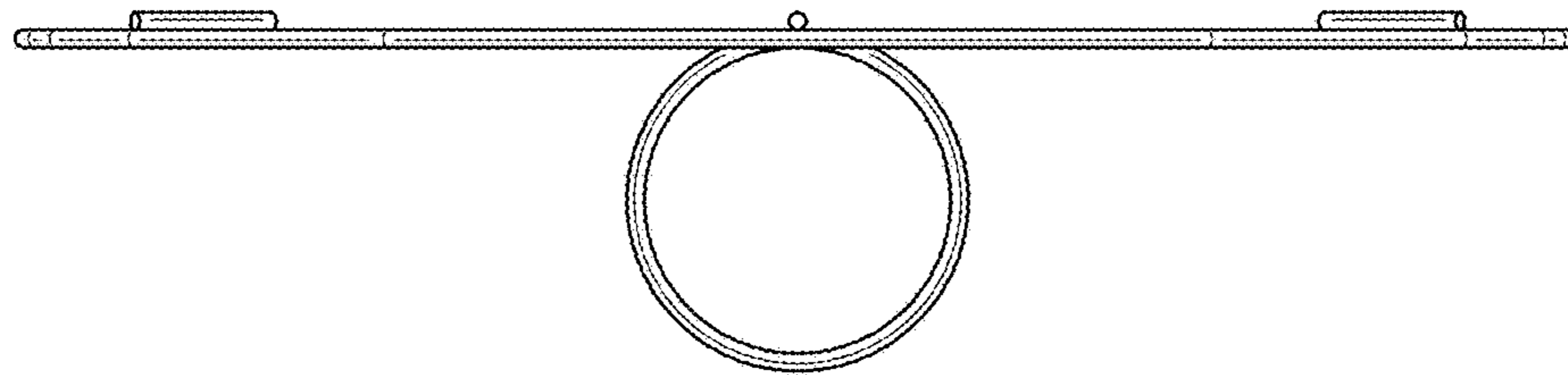


FIG. 4

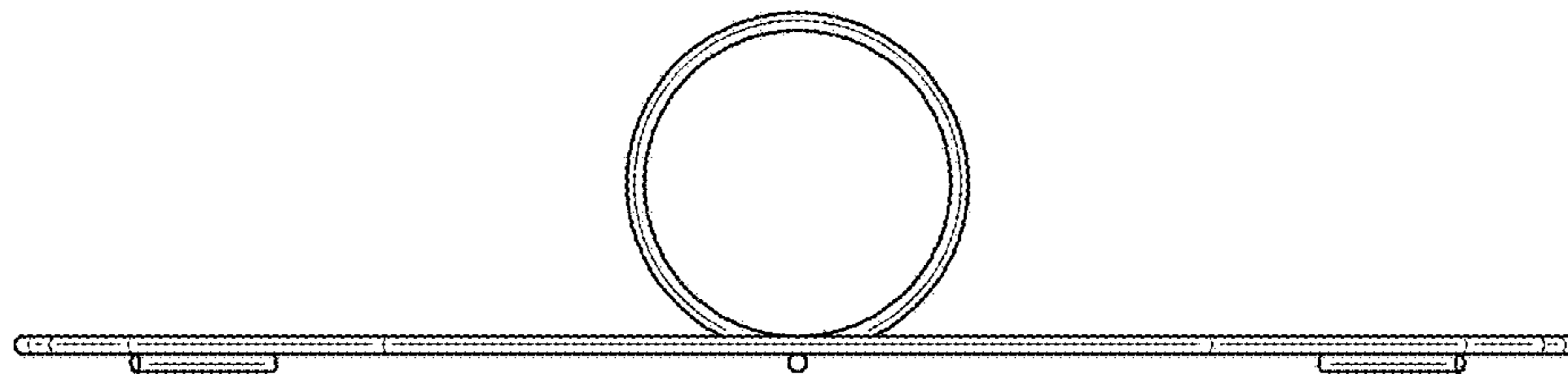


FIG. 5

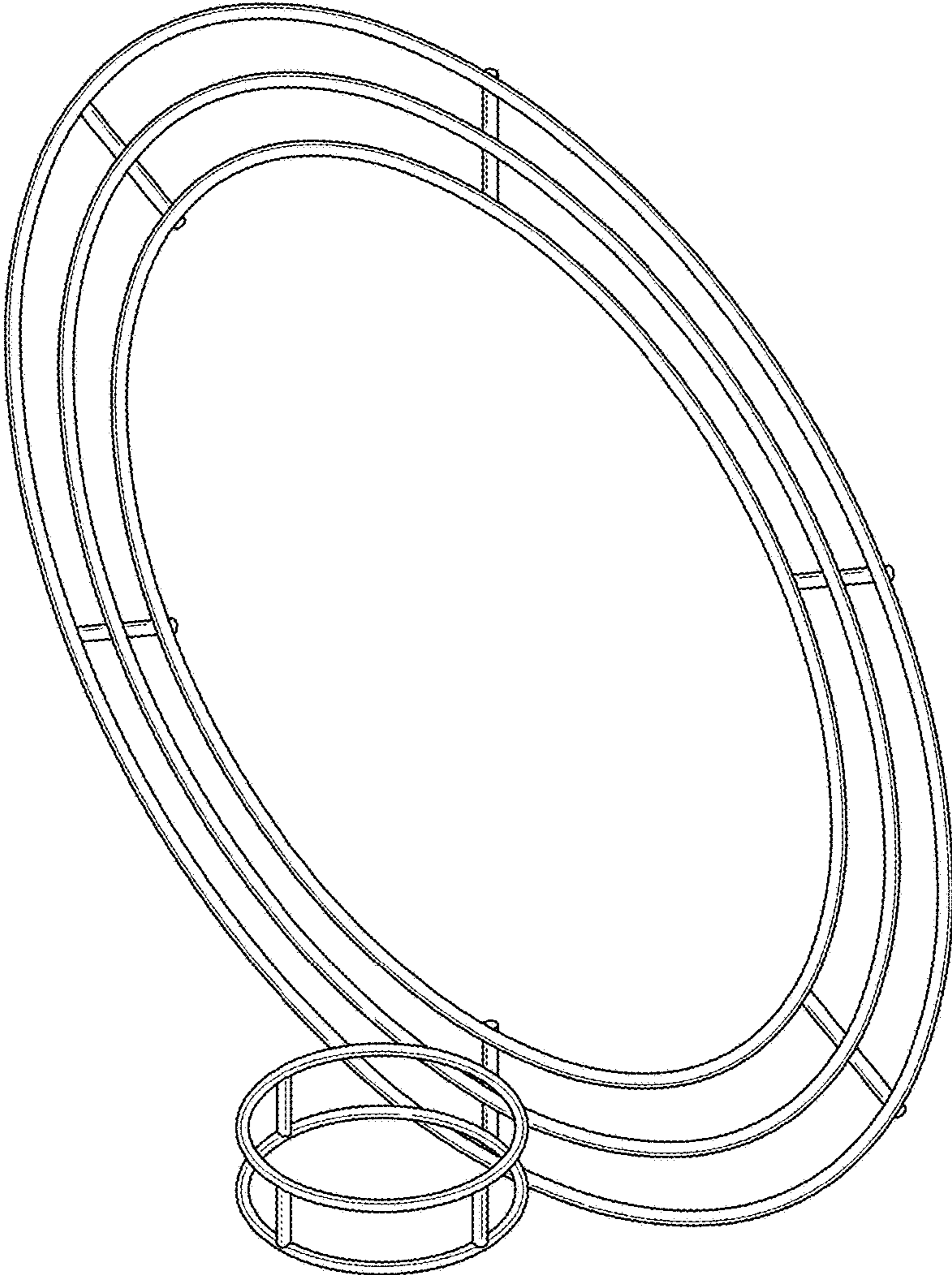


FIG. 6