



US00D851292S

(12) **United States Design Patent**  
**Pan**

(10) **Patent No.:** **US D851,292 S**  
(45) **Date of Patent:** **\*\* Jun. 11, 2019**

(54) **LED LAMP**

(71) Applicant: **SHENZHEN SNC OPTO ELECTRONIC CO., LTD**, Shenzhen (CN)

(72) Inventor: **Nianhua Pan**, Shenzhen (CN)

(73) Assignee: **SHENZHEN SNC OPTO ELECTRONIC CO., LTD.**, Shenzhen (CN)

(\*\*) Term: **15 Years**

(21) Appl. No.: **29/633,401**

(22) Filed: **Jan. 13, 2018**

(51) **LOC (11) Cl.** ..... **26-04**

(52) **U.S. Cl.**  
USPC ..... **D26/2**

(58) **Field of Classification Search**  
USPC ..... D26/1-4  
CPC ..... H01R 5/00; H01R 13/46; H01R 13/514;  
H01R 31/048; H01R 31/02; H01J 5/00;  
H01J 5/16; H01J 1/02; H01J 15/00; H01J  
5/48; H01J 5/50; H01J 19/54; F21V 5/00;  
F21V 13/00; F21V 29/004

See application file for complete search history.

(56) **References Cited**

U.S. PATENT DOCUMENTS

D553,266 S	*	10/2007	Maxik .....	D26/2
D566,300 S	*	4/2008	Lo .....	D26/2
D584,838 S	*	1/2009	To .....	D26/2
D646,802 S	*	10/2011	Guohui .....	D26/2
D695,426 S	*	12/2013	Tu .....	D26/2

\* cited by examiner

*Primary Examiner* — Marcus A Jackson

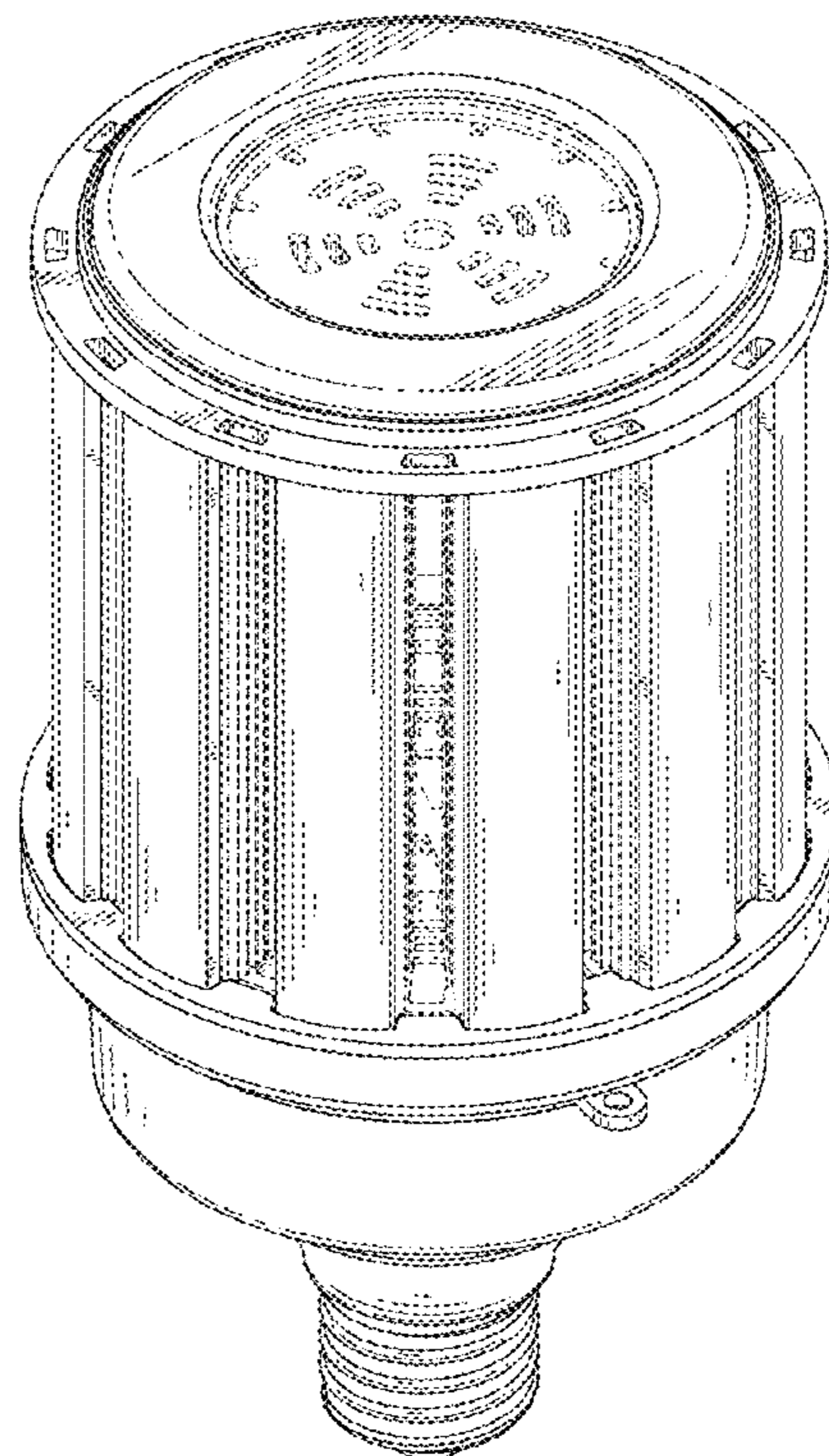
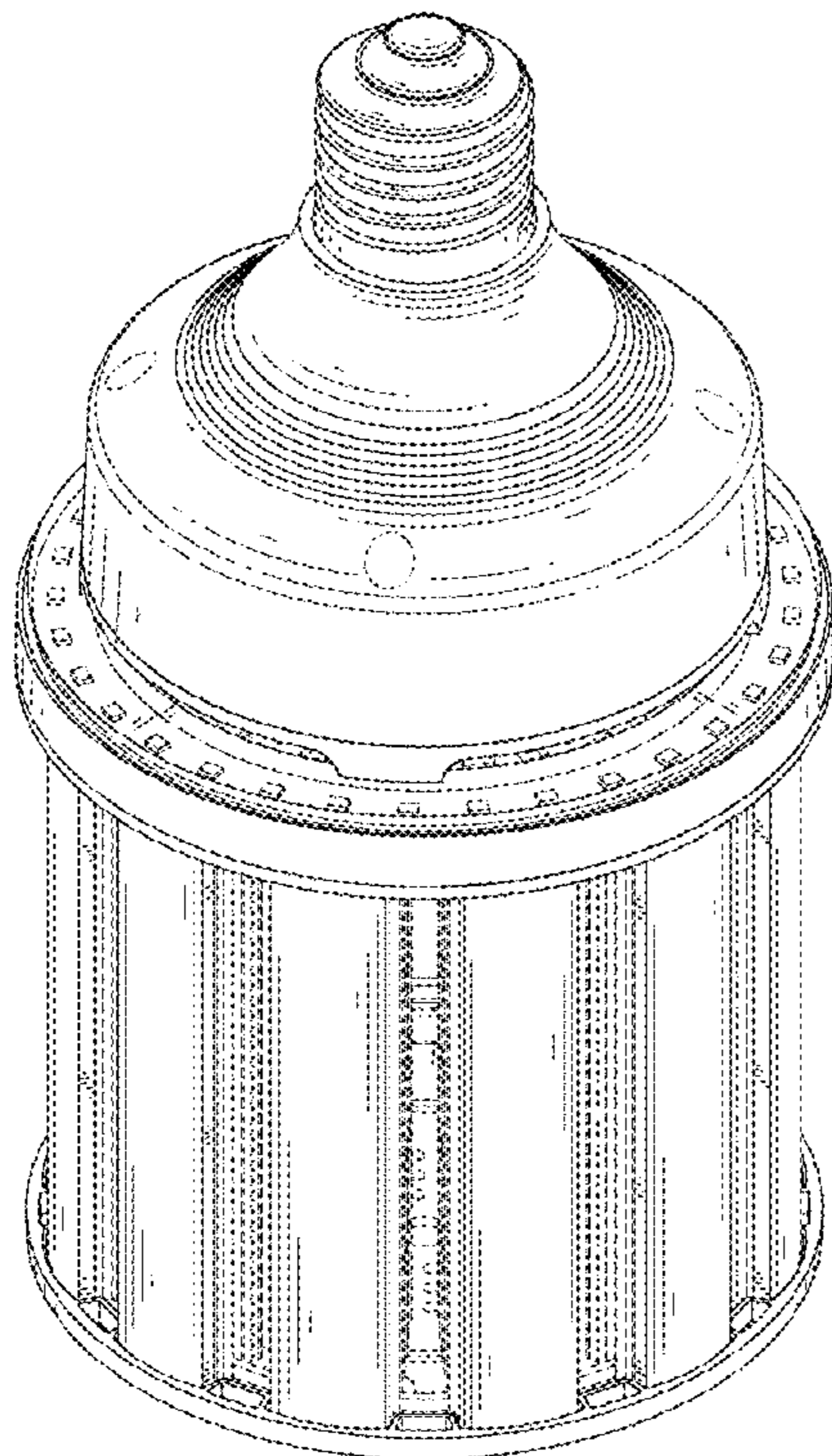
(57) **CLAIM**

The ornamental design for a LED lamp, as shown and described.

**DESCRIPTION**

FIG. 1 is a perspective view of the LED lamp showing my new design, the LED lamp having a transparent cover; FIG. 2 is similar to FIG. 1, viewed from another aspect; FIG. 3 is a front elevational view thereof; FIG. 4 is a rear elevational view thereof; FIG. 5 is a left side elevational view thereof; FIG. 6 is a right side devotional view thereof; FIG. 7 is a top plan view thereof; and, FIG. 8 is a bottom plan view thereof. The broken lines are for the purposes of illustrating portions of the LED lamp and form no part of the claimed design.

**1 Claim, 8 Drawing Sheets**





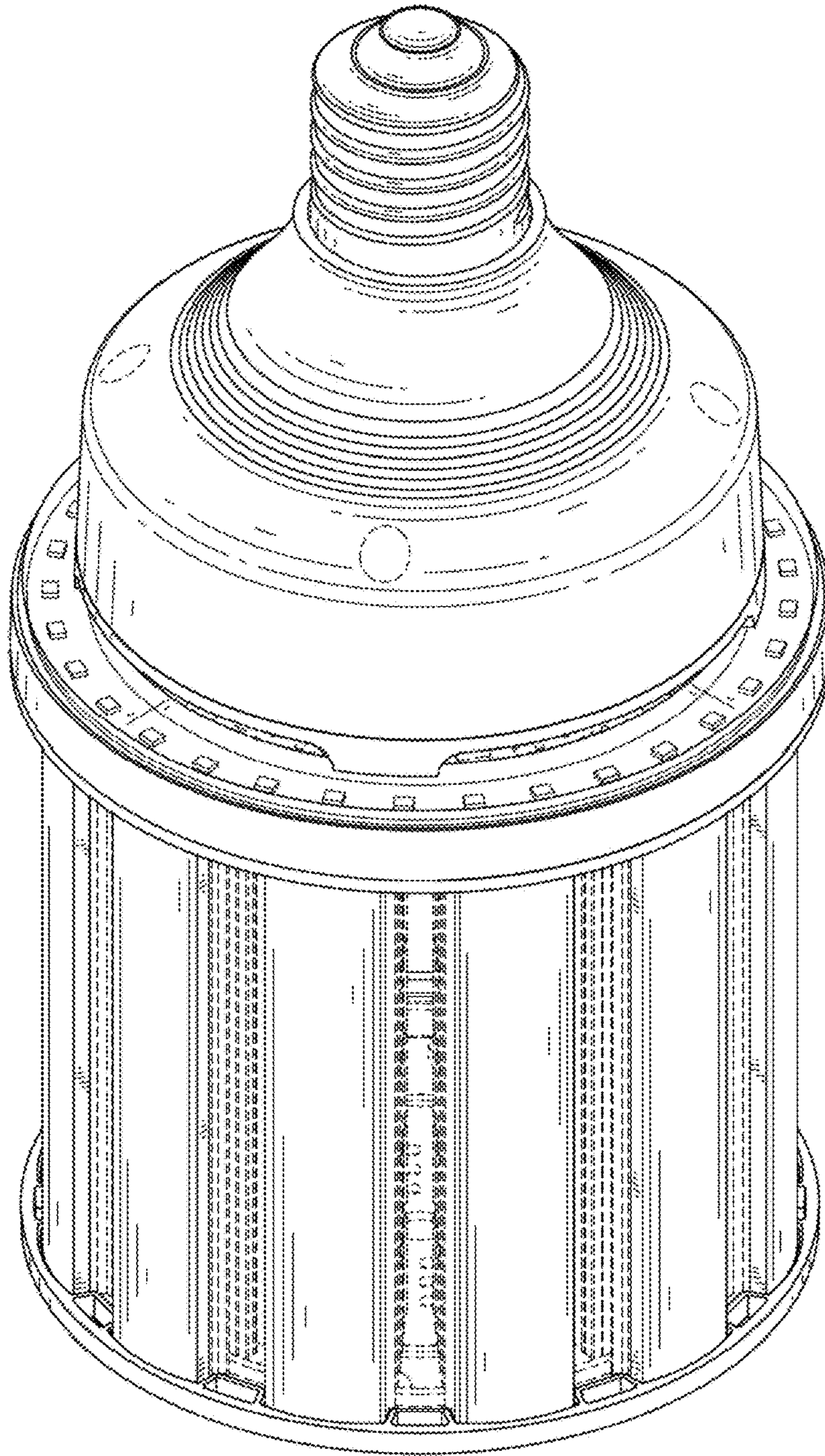


FIG. 1



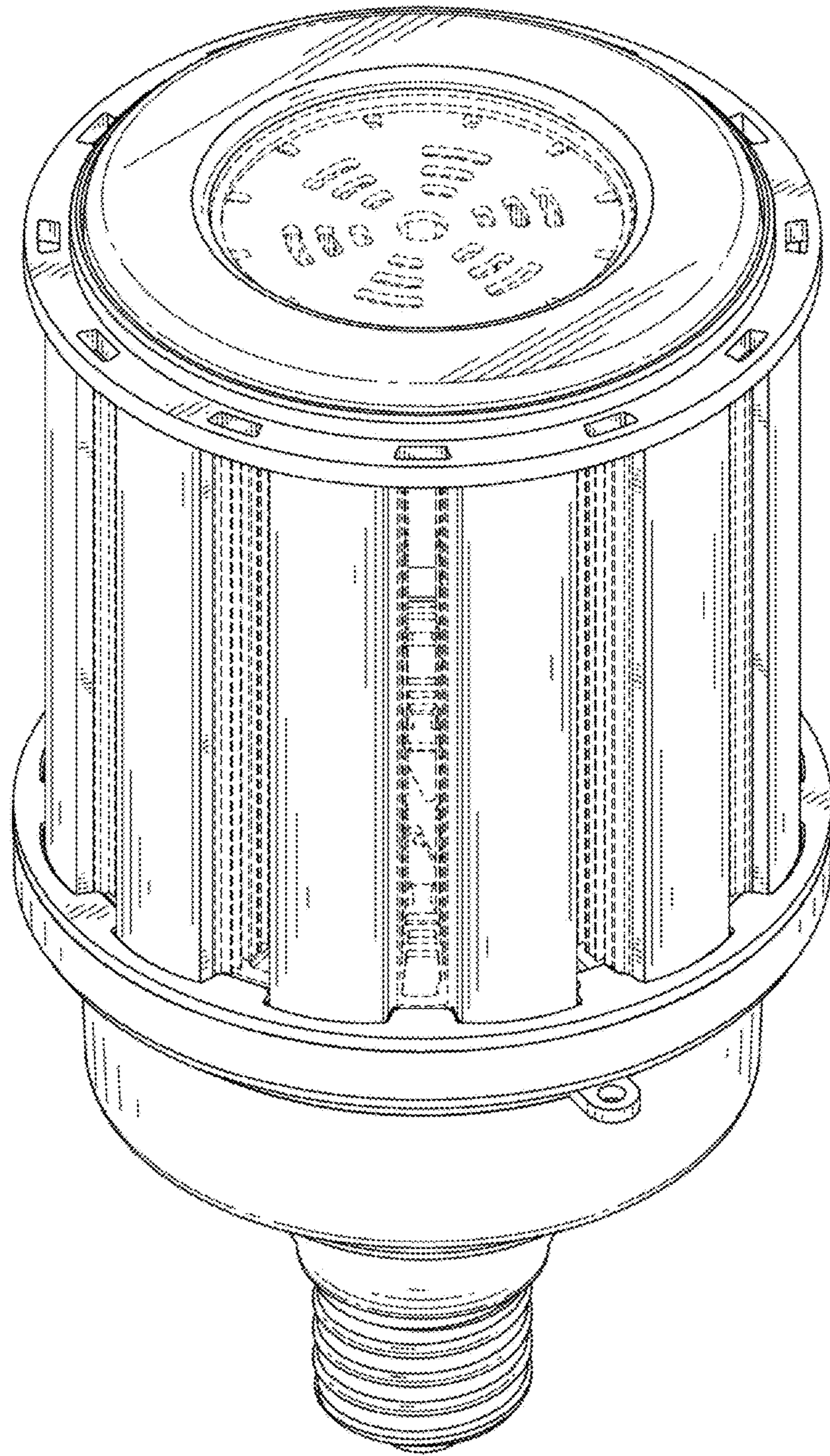


FIG. 2

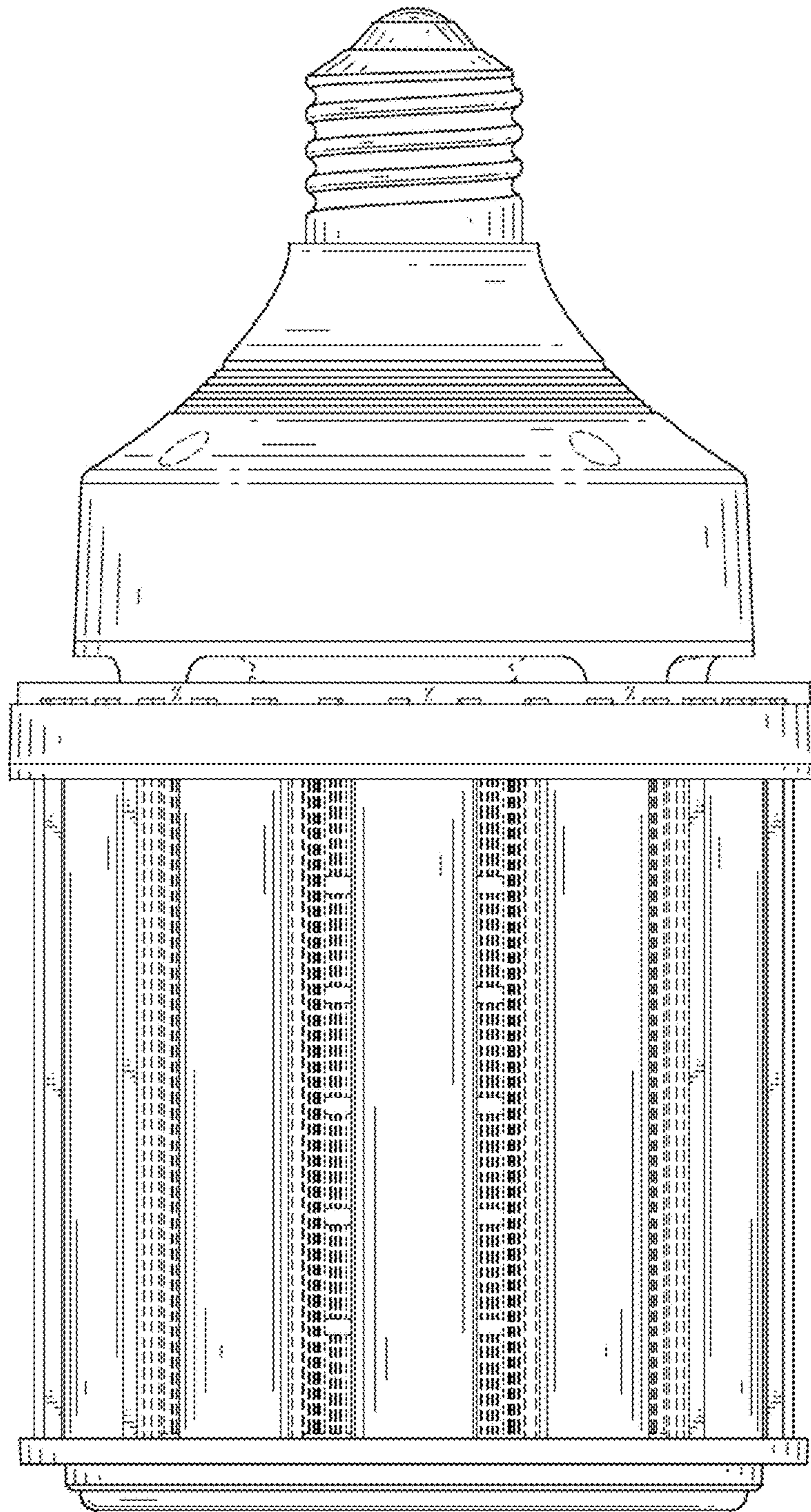


FIG. 3



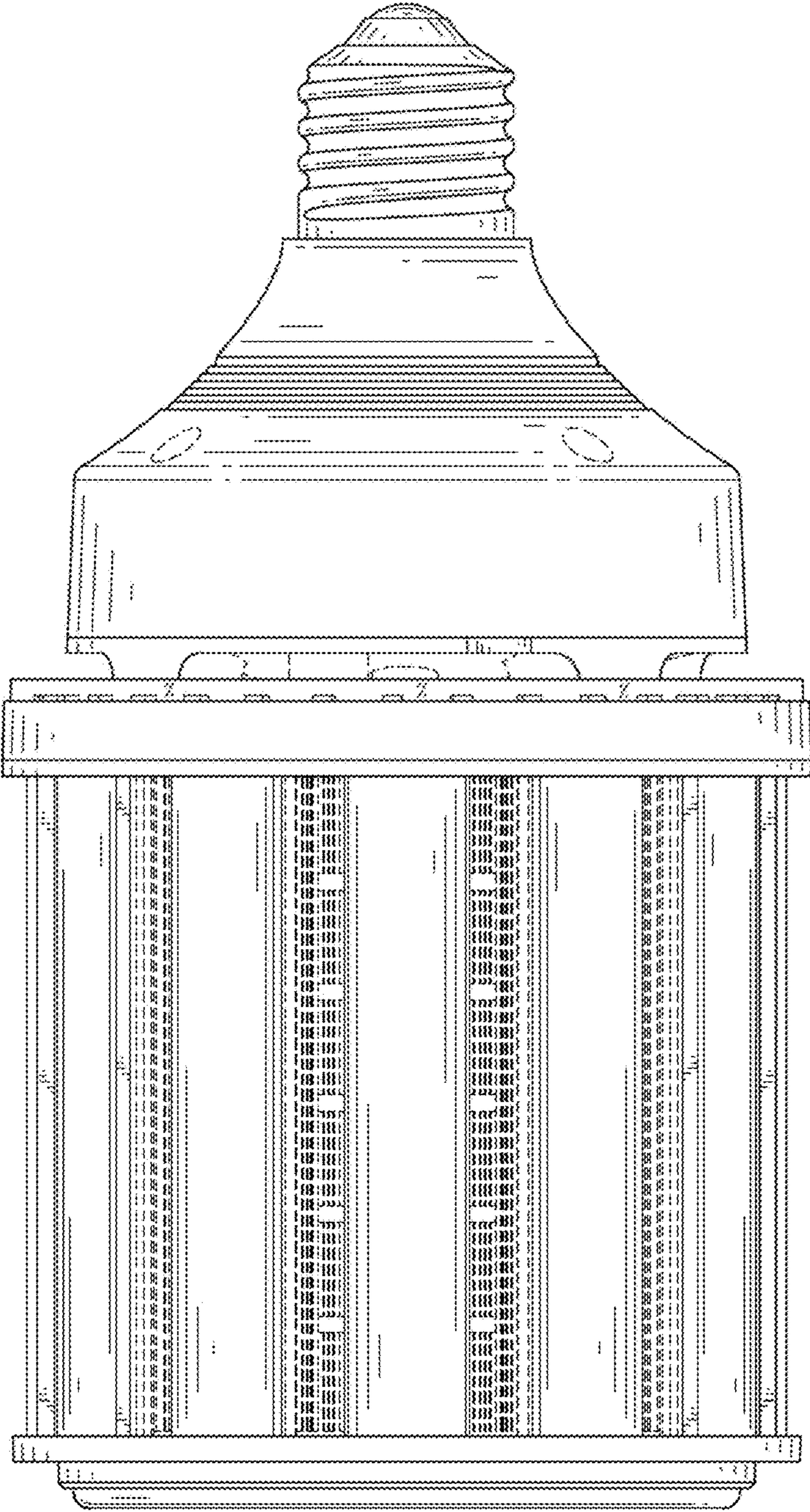


FIG. 4

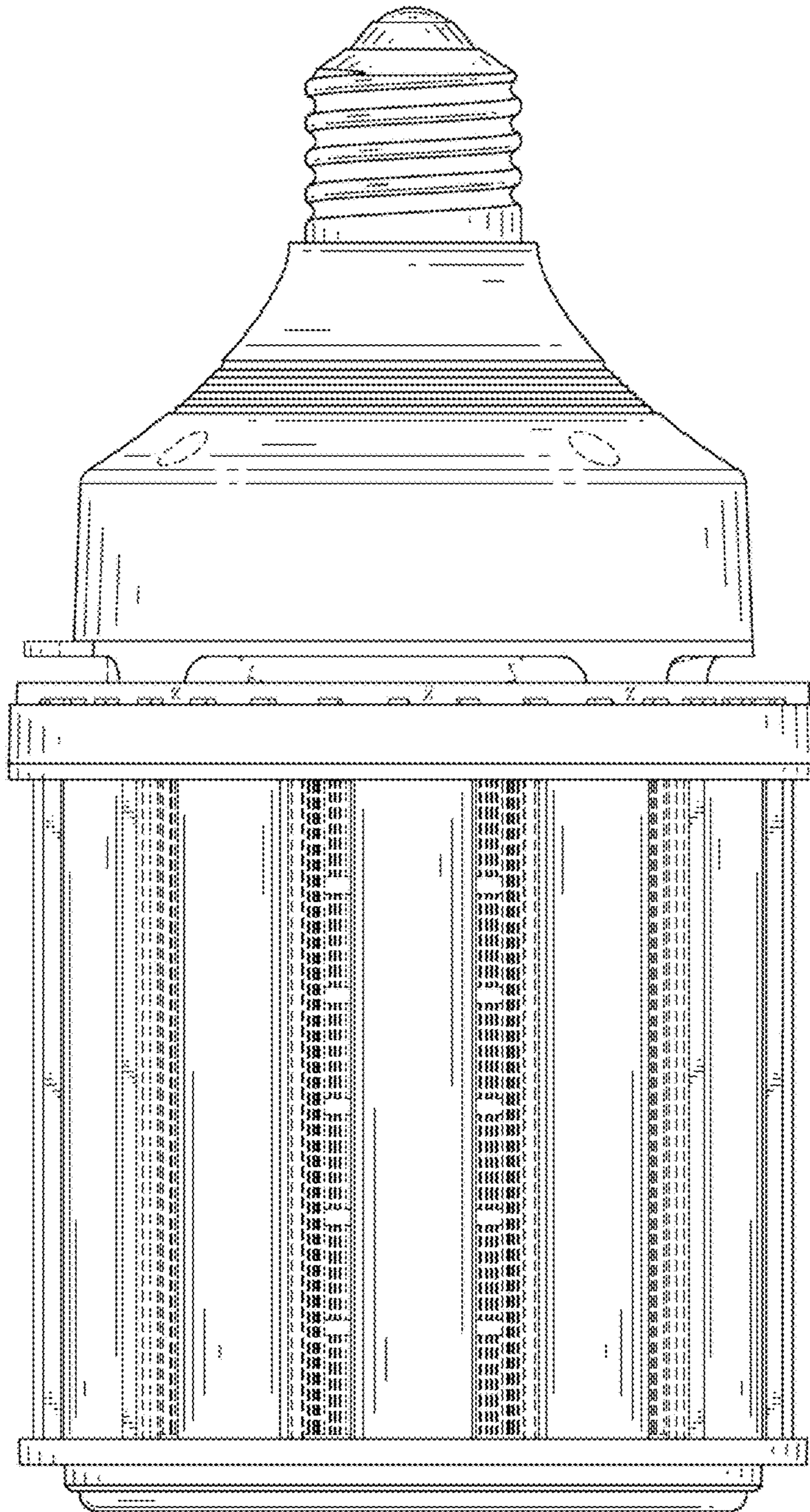


FIG. 5



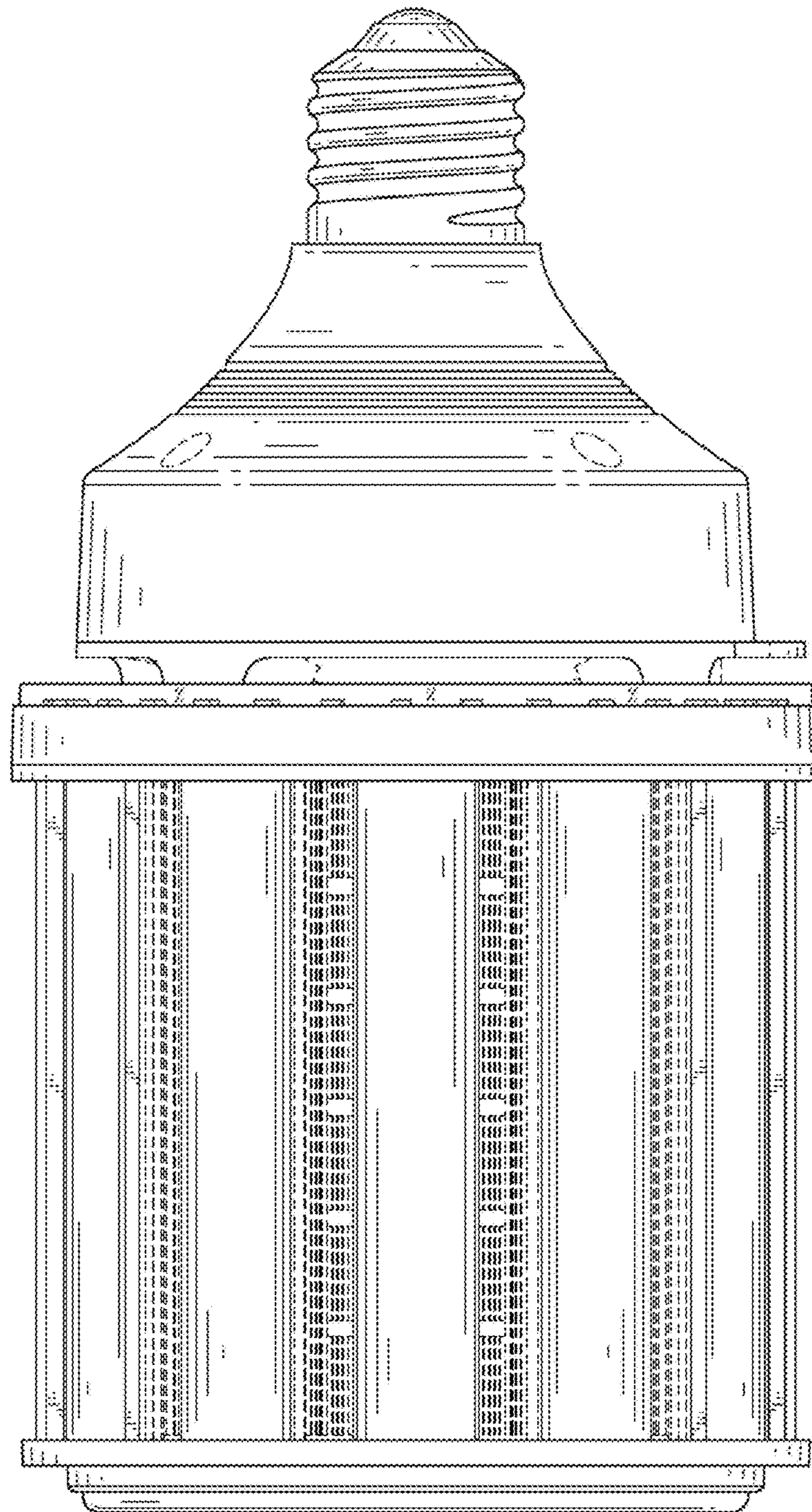


FIG. 6

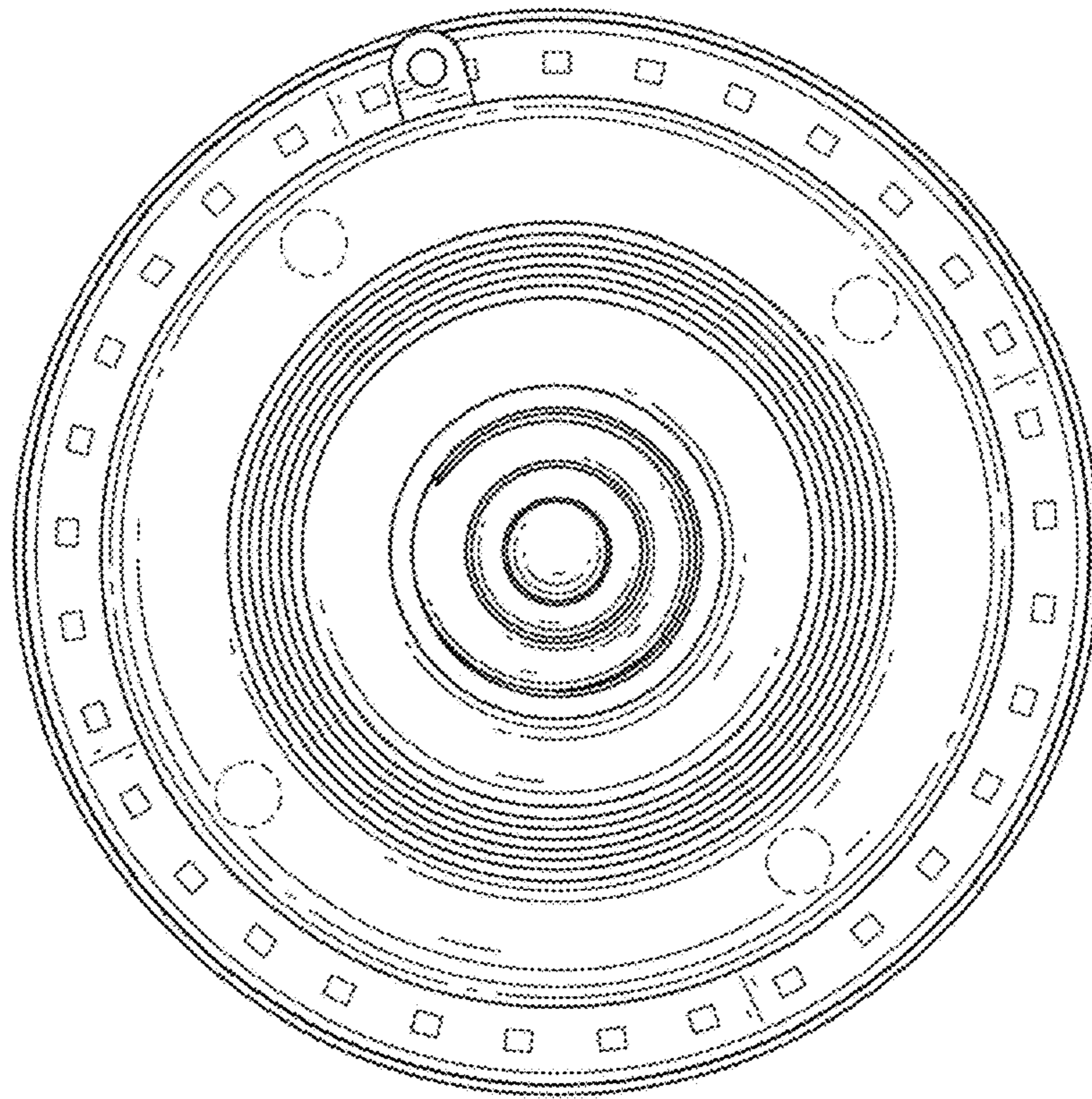


FIG. 7



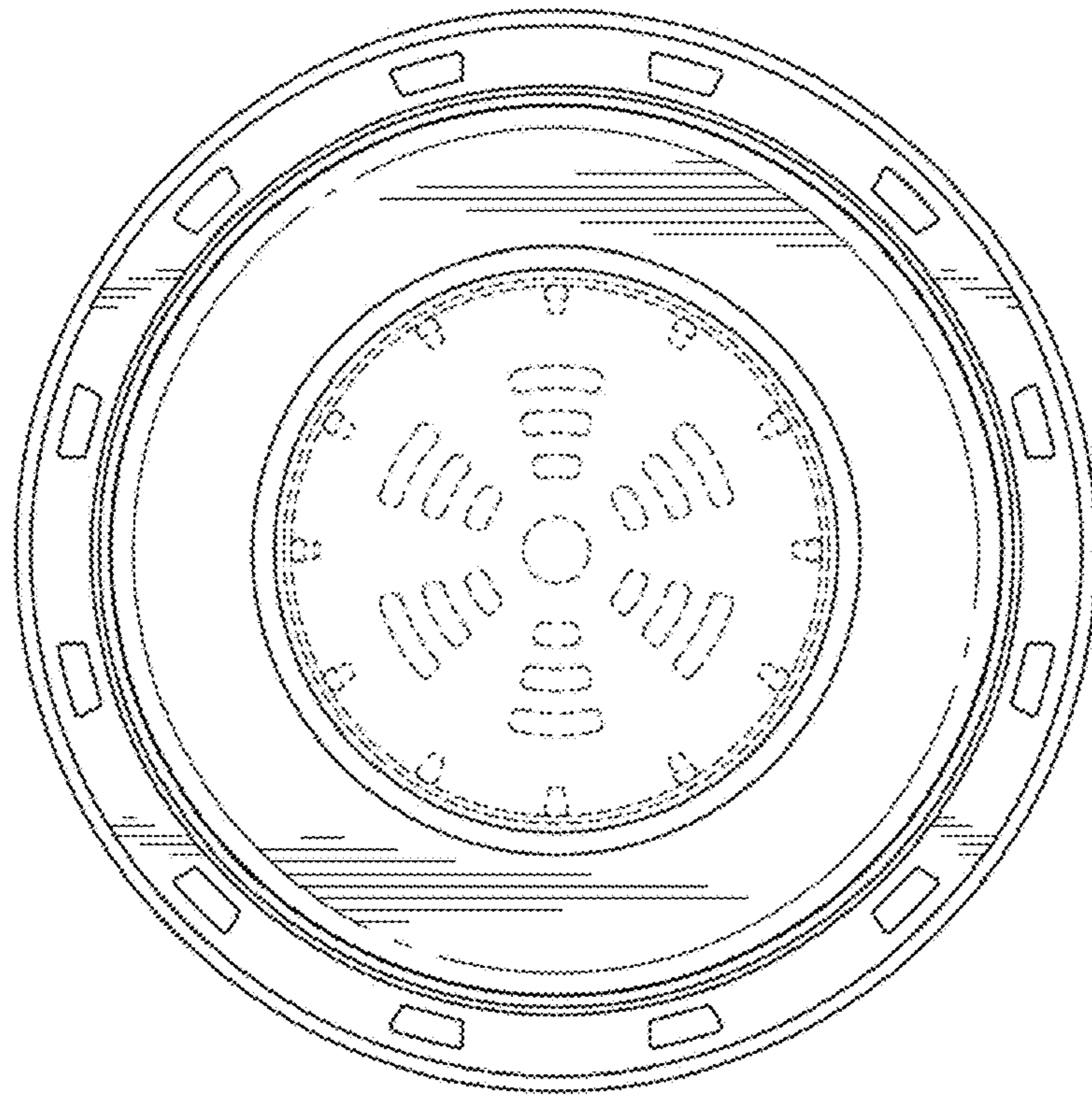


FIG. 8